

YAMAHA

PARTS CATALOGUE

FS1'88 (3EE1)

DENMARK

283EE-331E1

A2



FOREWORD

This Parts Catalogue is related to the parts in use for the Yamaha FS1'88(3EE1).
When you are ordering replacement parts for the FS1'88(3EE1), refer to this Parts Catalogue and quote both part numbers and part names correctly.

1. Modifications or additions which have been made after issue of the Parts Catalogue will be announced in the Yamaha Parts News.
It is advisable that according to the Yamaha Parts News you make necessary corrections to the Parts Catalogue on hand to keep it up-to-date.

2. Abbreviations

The following abbreviations are used in this Parts Catalogue.

- U.R. Use size (thickness) and/or number as required.
- U.N. Use as many as you need.
- A.P. Alternate Parts
- L.M. Local Made
- F# Frame No. (Applicable machine No.)

3. The parts marked with (*) in the parts number column of this Catalogue are not supplied with by Yamaha, those have to be found locally.

4. Parts, which are to be supplied in the form of assemblies, are listed with an indentation of one letter's space, and a dot (.) is put against the name of each part.

EXAMPLE CARBURETOR ASS'Y
 . JET, pilot
 . NOZZLE, main

5. Indication of No. of constituent parts for assembly

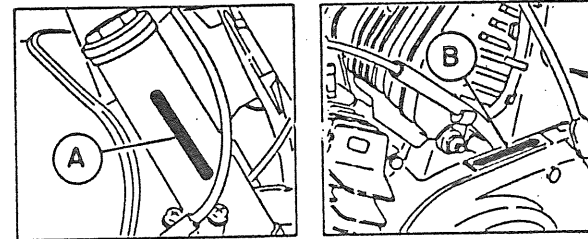
The numeral appearing to the right of each constituent part under the description indicates the quantity of such parts for each individual assembly unit.

EXAMPLE

Part No.	Description	Q'ty	Remarks
2F5-83310-60	FRONT FLASHER LIGHT ASS'Y	2	
115-83311-60	. BULB (6V-18W)	1	
1M1-83309-60	. REFLECTOR	1	

6. Initial Serial No. and Color Code

(A) Frame Serial No.	
(B) Engine Serial No.	3EE-000101 and following



Color Code	Color Name	Abbreviate
33	YAMAHA BLACK	YB
G3	FRENCH BLUE	FBL
66	SUNSHINE RED	SR

7. Applicable colors of graphics are represented in the "Remarks" column by the letter(s) appropriately picked out of the full word(s) showing such colors.

EXAMPLE

Part No.	Description	Q'ty	Remarks
2N4-24110-00-X5	FUEL TANK COMP.	1	MAXIM RED
3J1-24240-10	. GRAPHIC, fuel tank set	1	for MXR

CONTENTS

ENGINE

Cylinder	B2
Crankshaft. Piston	B3
Intake	B4
Carburetor	B5
Exhaust	B6
Crankcase	B7
Crankcase Cover 1	B8
Starter	B9
Clutch	B10 ~ B11
Transmission	B12
Shift Cam. Fork	B13
Shift Shaft	B14

CHASSIS

Frame	B15
Fender	C2
Side Cover	C3
Rear Arm. Suspension	C4
Steering	C5
Front Fork	C6
Fuel Tank	C7
Seat	C8
Front Wheel	C9
Rear Wheel	C10 ~ C11
Steering Handle. Cable	C12
Stand. Footrest	C13
Generator	C14
Meter	C15
Headlight	D2

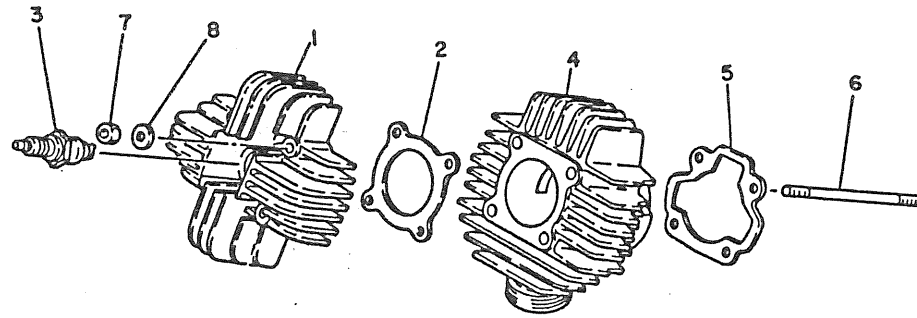
Taillight	D3
Handle Switch. Lever	D4
Electrical 1	D5

INDEX

Numerical Index	M1 ~ M2
-----------------------	---------

FIG. 1 CYLINDER

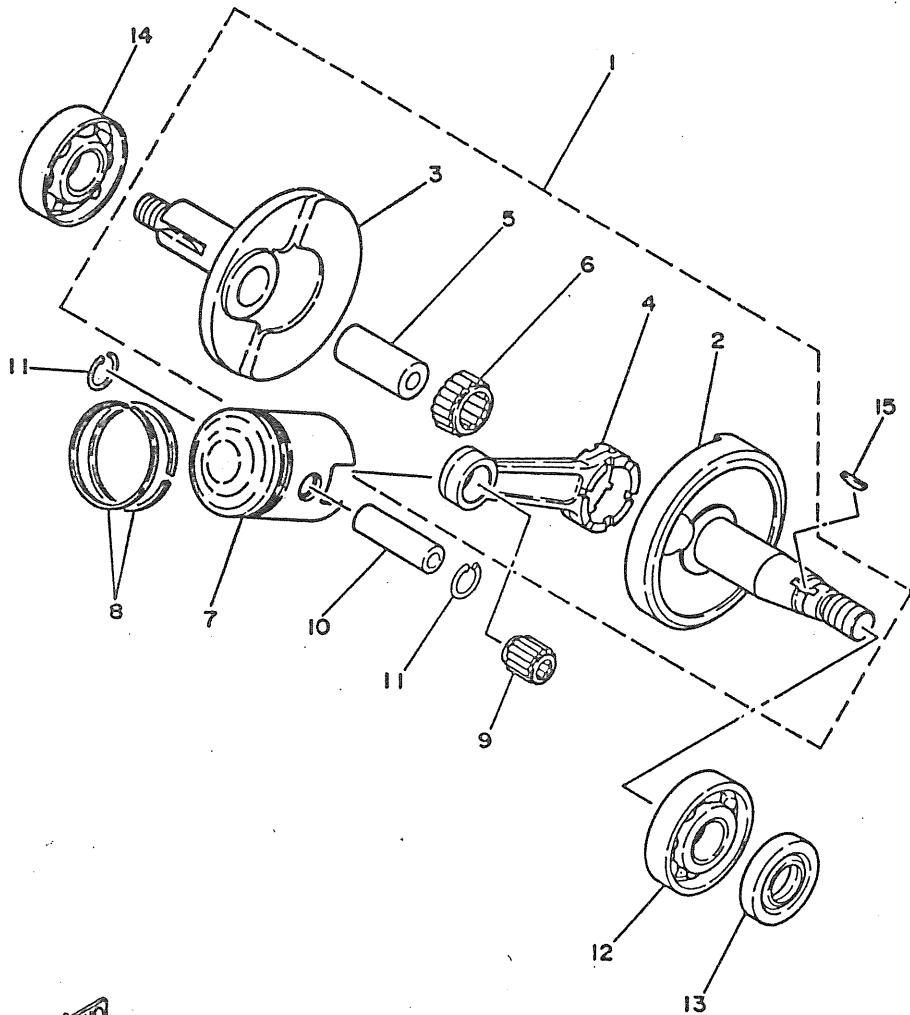
REF. NO.	PART NO.	DESCRIPTION	Q'TY	REMARKS
1	257-11111-01	HEAD, cylinder 1	1	
2	381-11181-60	GASKET, cylinder head 1	1	
3	94701-00248	PLUG, spark (NGK BR6HS)	1	
4	381-11311-61	CYLINDER 1	1	
5	3E1-11351-01	GASKET, cylinder	1	
6	90116-06026	BOLT, stud	4	
7	95363-06600	NUT	4	
8	92901-06200	WASHER, plain	4	



3E2331-8010

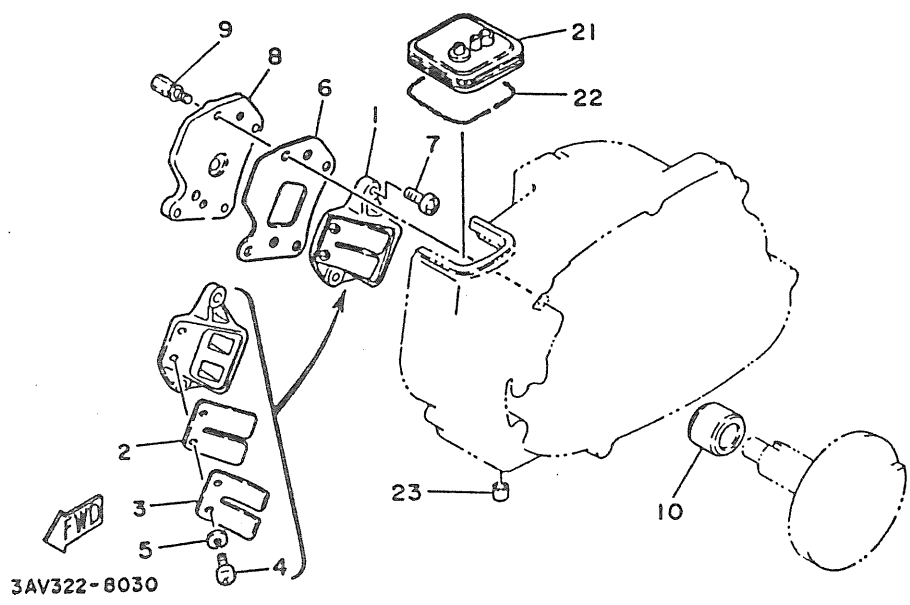
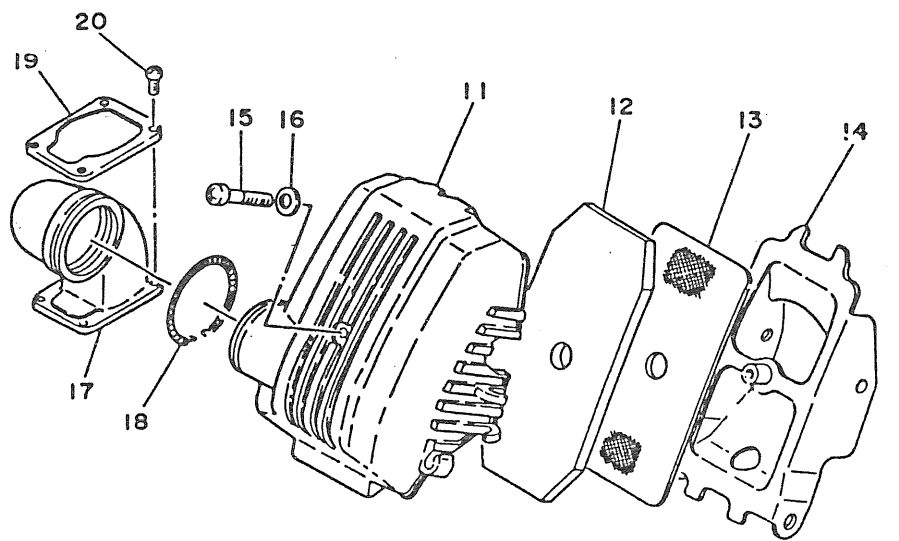
FIG. 2 CRANKSHAFT. PISTON

REF. NO.	PART NO.	DESCRIPTION	Q'TY	REMARKS
1	3E8-11400-00	CRANKSHAFT ASSY	1	
2	3E8-11412-00	.CRANK 1	1	
3	3E8-11422-00	.CRANK 2	1	
4	3R1-11651-01	.ROD, connecting	1	
5	257-11681-00	.PIN, crank 1	1	
6	93310-418T0	.BEARING, cylindrical	1	
7	3E8-11631-00-96	PISTON (STD)	1	
	3E8-11635-00	PISTON (0.25MM O/S)	1	AP
	3E8-11636-00	PISTON (0.50MM O/S)	1	AP
8	260-11601-02	PISTON RING SET (STD)	1	
	260-11601-12	PISTON RING SET (1ST O/S)	1	AP
	260-11601-22	PISTON RING SET (2ND O/S)	1	AP
9	93310-11268	BEARING, cylindrical	1	
10	102-11633-02	PIN, piston	1	
11	93450-13022	CIRCLIP	2	
12	93306-20458	BEARING	1	
13	93102-20009	OIL SEAL	1	
14	93306-30302	BEARING (B6303C3)	1	
15	90280-03017	KEY, woodruff	1	



5A1310-2020

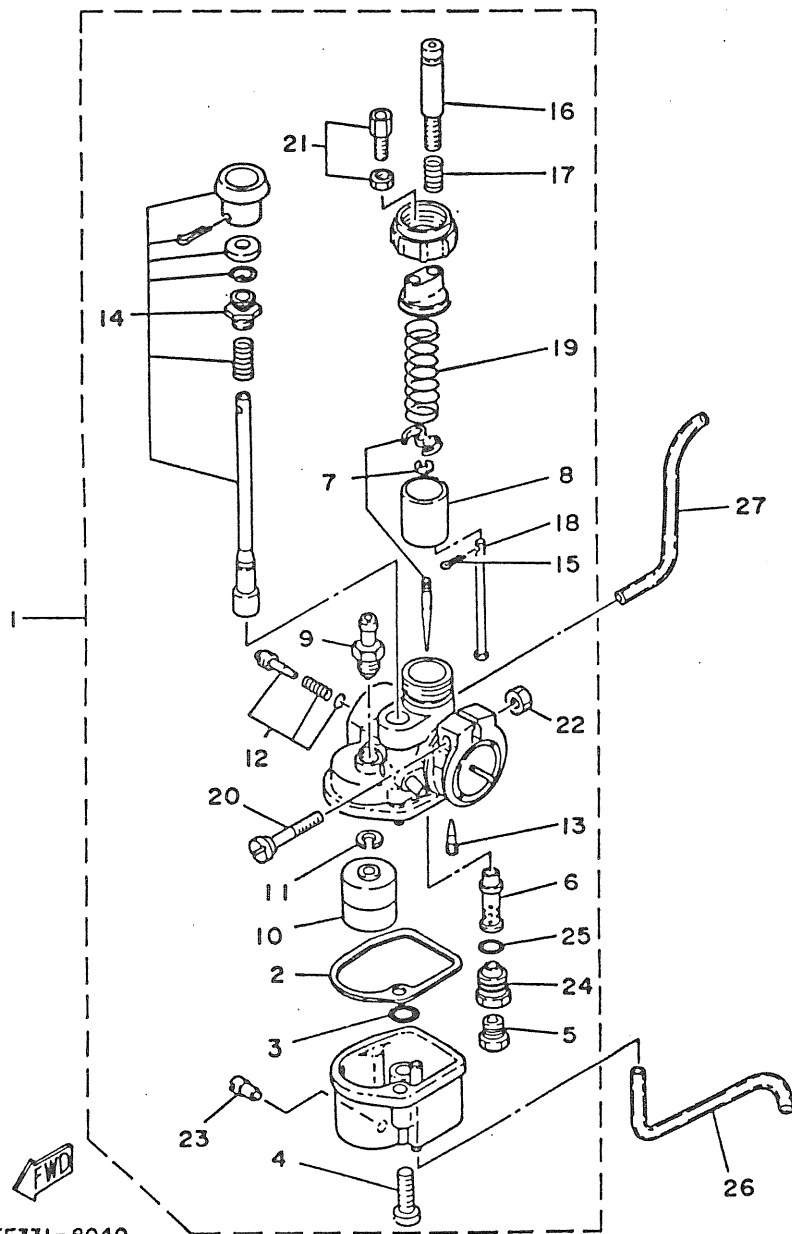
B3



3AV322-8030

FIG. 3 INTAKE

REF. NO.	PART NO.	DESCRIPTION	Q'TY	REMARKS
1	378-13610-61	REED VALVE ASSY	1	
2	314-13613-01	.REED, valve	1	
3	314-13616-01	.STOPPER, reed valve	1	
4	93501-03008	.SCREW, pan head	2	
5	92990-03100	.WASHER, spring	2	
6	378-13621-60	GASKET, valve seat	1	
7	92501-06014	SCREW, pan head	2	
8	3EE-13505-00	JOINT, pump	1	
9	90109-06343	BOLT	4	
10	90387-17139	COLLAR	1	
11	5A3-14411-00	CASE, air cleaner 1	1	
12	3E8-14451-00	ELEMENT, air cleaner	1	
13	3E8-14473-00	GUIDE	1	
14	3E8-14498-00	STAY 1	1	
15	92503-06045	SCREW PAN HEAD	1	
16	92901-06600	WASHER, plate	1	
17	3E8-14453-00	JOINT, air cleaner 1	1	
18	90506-06106	SPRING, tension	1	
19	3E8-14417-00	COVER 1	1	
20	98580-04010	SCREW, pan head	4	
21	288-14481-02	CAP, carburetor	1	
22	90506-06095	SPRING, tension	1	
23	257-15433-00	CLEANER, drain	1	



3EE331-8040

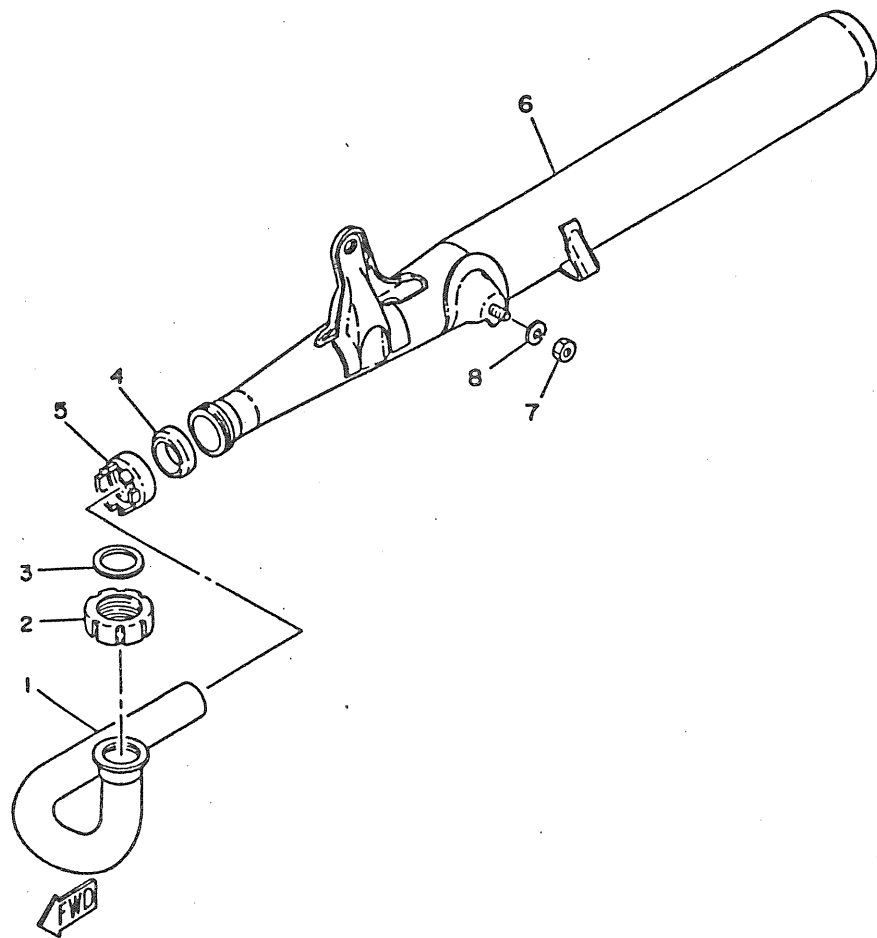
FIG. 4 CARBURETOR

REF. NO.	PART NO.	DESCRIPTION	Q'TY	REMARKS
1	3EE-14101-00	CARBURETOR ASSY 1	1	
2	260-14184-00	.GASKET, float chamber	1	
3	93220-08002	.O-RING	1	
4	92502-16018	.SCREW, pan head	1	
5	127-14143-11	.JET, main (# 55)	1	
6	3EE-14141-13	.NOZZLE, main	1	
7	3EE-1490J-00	.NEEDLE SET	1	
8	283-14112-25	.VALVE, throttle 1	1	
9	260-14190-12	.NEEDLE VALVE ASSY	1	
10	4A5-14185-00	.FLOAT	1	
11	363-14137-00	.CLIP	1	
12	59L-14104-00	.AIR SCREW SET	1	
13	260-14142-25	.JET, pilot (# 25)	1	
14	5K2-1410A-00	.STARTER SET	1	
15	91401-12010	.PIN, cotter	1	
16	395-14121-00	.SCREW, throttle stop	1	
17	127-14133-00	.SPRING, throttle stop	1	
18	405-14114-00	.BAR, throttle	1	
19	127-14131-00	.SPRING, throttle valve	1	
20	127-14125-01	.SCREW	1	
21	35Y-14106-00	.CABLE ADJUST SCREW SET	1	
22	95303-05600	.NUT	1	
23	12R-14191-00	.PLUG, drain	1	
24	4A5-14145-00	.SETTER, needle jet	1	
25	214-14147-00	.O-RING	1	
26	90445-05013	HOSE	1	
27	90445-05015	HOSE	1	

B5

FIG. 5 EXHAUST

REF. NO.	PART NO.	DESCRIPTION	Q'TY	REMARKS
1	348-14611-00	PIPE, exhaust 1	1	
2	1L4-14612-00	NUT, ring	1	
3	132-14613-00	GASKET, exhaust pipe	1	
4	3E1-14714-00	GASKET, muffler	1	
5	109-14713-00	NUT, muffler joint	1	
6	381-14710-10	MUFFLER ASSY 1	1	
7	95303-08600	NUT	1	
8	92990-08100	WASHER, spring	1	



3EE331-8050

B6

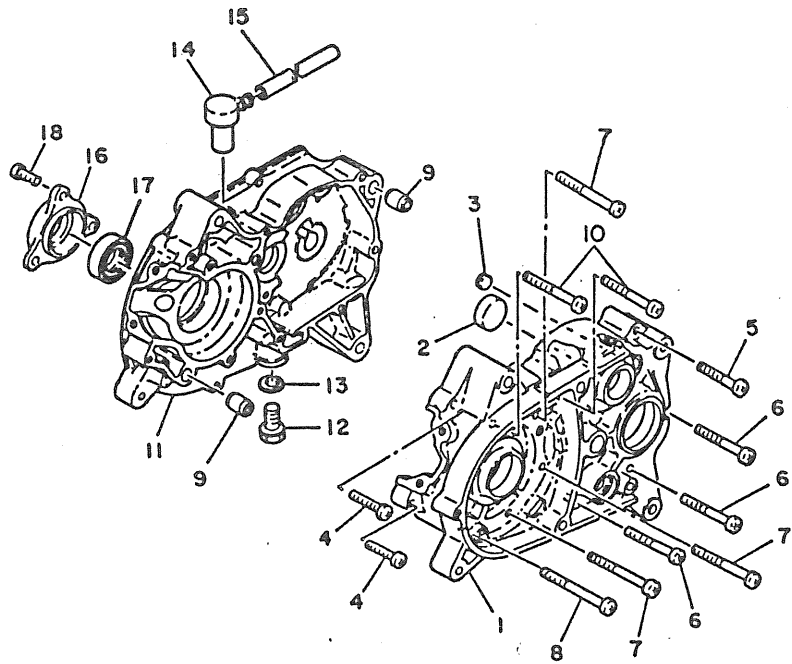


FIG. 6 CRANKCASE

REF. NO.	PART NO.	DESCRIPTION	Q'TY	REMARKS
1	257-15111-02	CRANKCASE 1	1	
2	90338-26136	PLUG	1	
3	90334-10006	PLUG, s'traight	1	
4	92501-06030	SCREW, pan head	2	
5	92503-06045	SCREW PAN HEAD	1	
6	92501-06050	SCREW, pan head	3	
7	92501-06060	SCREW, pan head	3	
8	92501-06065	SCREW, pan head	1	
9	99510-12016	PIN, dowel	2	
10	92501-06055	SCREW, pan head	2	
11	378-15121-60	CRANKCASE 2	1	
12	90340-12005	PLUG, straight screw	1	
13	90430-12038	GASKET	1	
14	583-15371-00	BREATHER	1	
15	90446-07009	HOSE	1	
16	378-15359-60	HOUSING, oil seal	1	
17	93103-25078	OIL SEAL	1	
18	92501-06014	SCREW, pan head	3	



5A2342-2080

B7

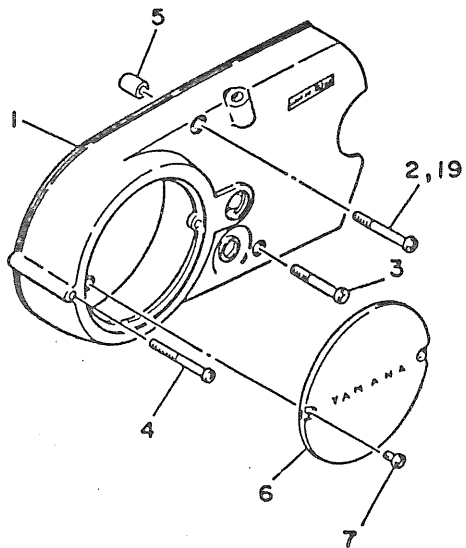
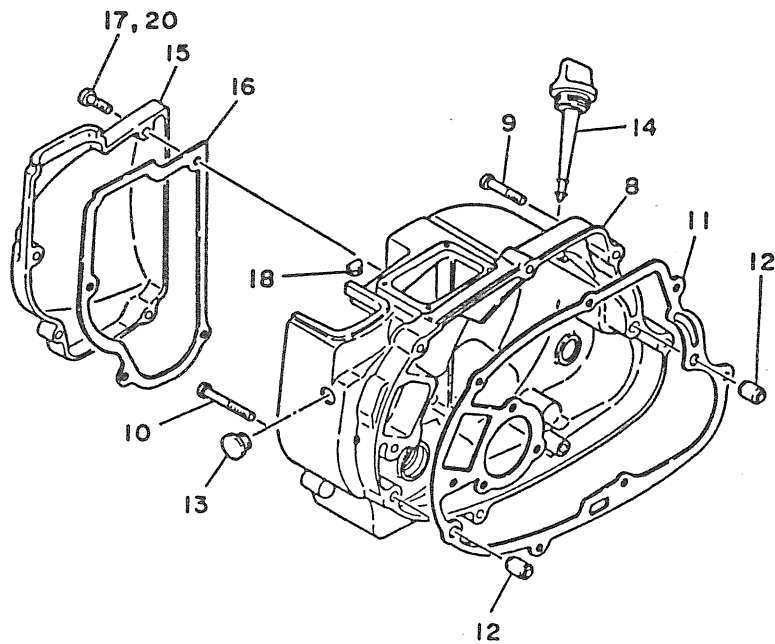


FIG. 7 CRANKCASE COVER 1

REF. NO.	PART NO.	DESCRIPTION	Q'TY	REMARKS
1	3W3-15411-00	COVER, crankcase 1	1	
2	92503-06045	SCREW PAN HEAD	1	
3	92501-06040	SCREW, pan head	1	
4	92501-06050	SCREW, pan head	1	
5	99530-10014	PIN, dowel	2	
6	164-15415-00	COVER, generator	1	
7	98501-04006	SCREW, pan head	2	
8	378-15421-60	COVER, crankcase 2	1	
9	92501-06030	SCREW, pan head	6	
10	92501-06040	SCREW, pan head	1	
11	378-15451-60	GASKET, crankcase cover 1	1	
12	99530-10014	PIN, dowel	2	
13	90480-12012	GROMMET	1	
14	315-15362-01	PLUG, oil level	1	
15	257-15413-00	COVER, carburetor	1	
16	257-15463-00	GASKET, carburetor cover 2	1	
17	92503-06018	SCREW PAN HEAD	1	
18	129-15489-10	GROMMET	1	
19	92503-06045	SCREW PAN HEAD	1	
20	92503-06018	SCREW PAN HEAD	3	



3EE331-8070

B8

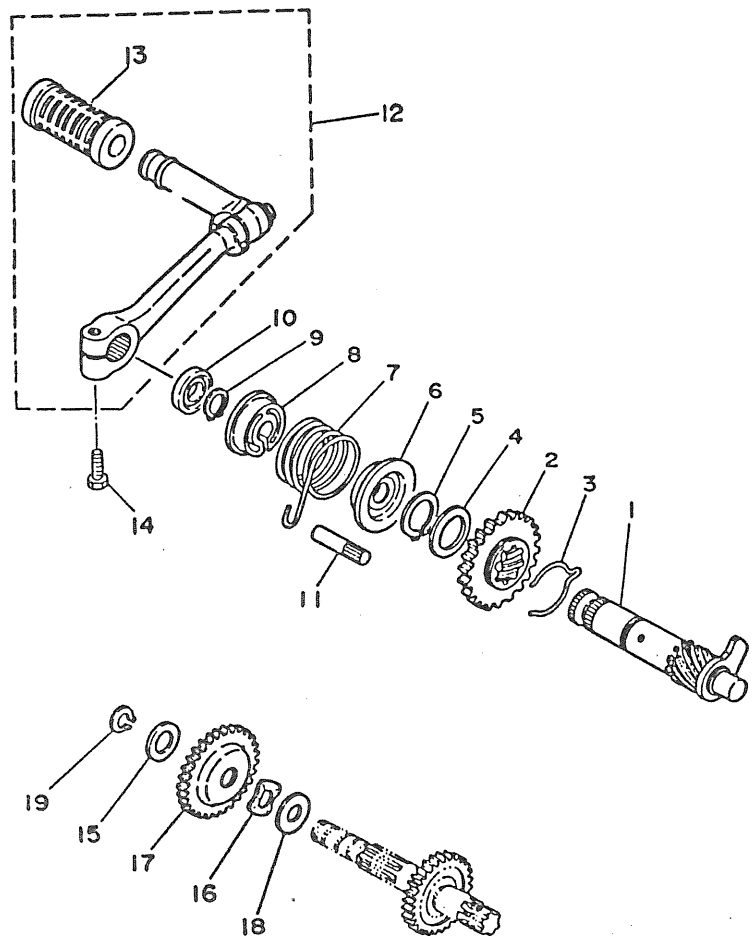


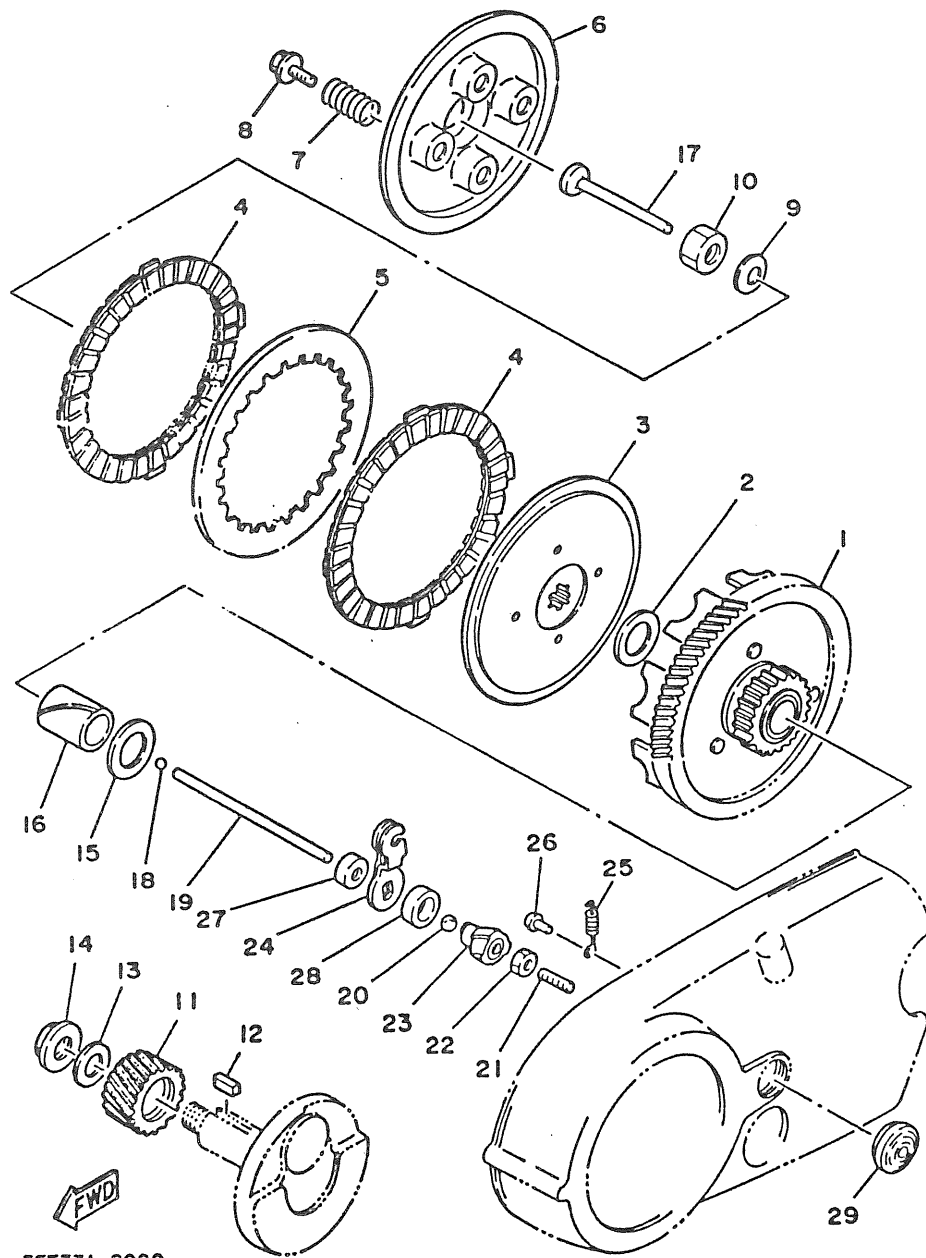
FIG. 8 STARTER

REF. NO.	PART NO.	DESCRIPTION	Q'TY	REMARKS
1	305-15660-04	KICK AXLE ASSY	1	
2	305-15641-00	GEAR, kick (26T)	1	
3	90468-26048	CLIP	1	
4	117-15644-00	SHIM	1	
5	93410-25017	CIRCLIP	1	
6	132-15664-01	GUIDE, spring	1	
7	90508-26136	SPRING, torsion	1	
8	132-15676-01	COVER, spring	1	
9	99009-15400	CIRCLIP	1	
10	93109-15001	OIL SEAL	1	
11	257-15668-00	STOPPER	1	
12	257-15620-01-91	KICK CRANK ASSY	1	UNI CHROME
13	156-15618-01	.COVER, kick lever	1	
14	97011-06025	BOLT	1	
15	90201-13202	WASHER, plate	1	
16	90206-15021	WASHER, wave	1	
17	257-15651-01	GEAR, kick idle (26T)	1	
18	132-15653-00-10	WASHER	1	
19	99009-13400	CIRCLIP	1	



2RV310-7090

B9



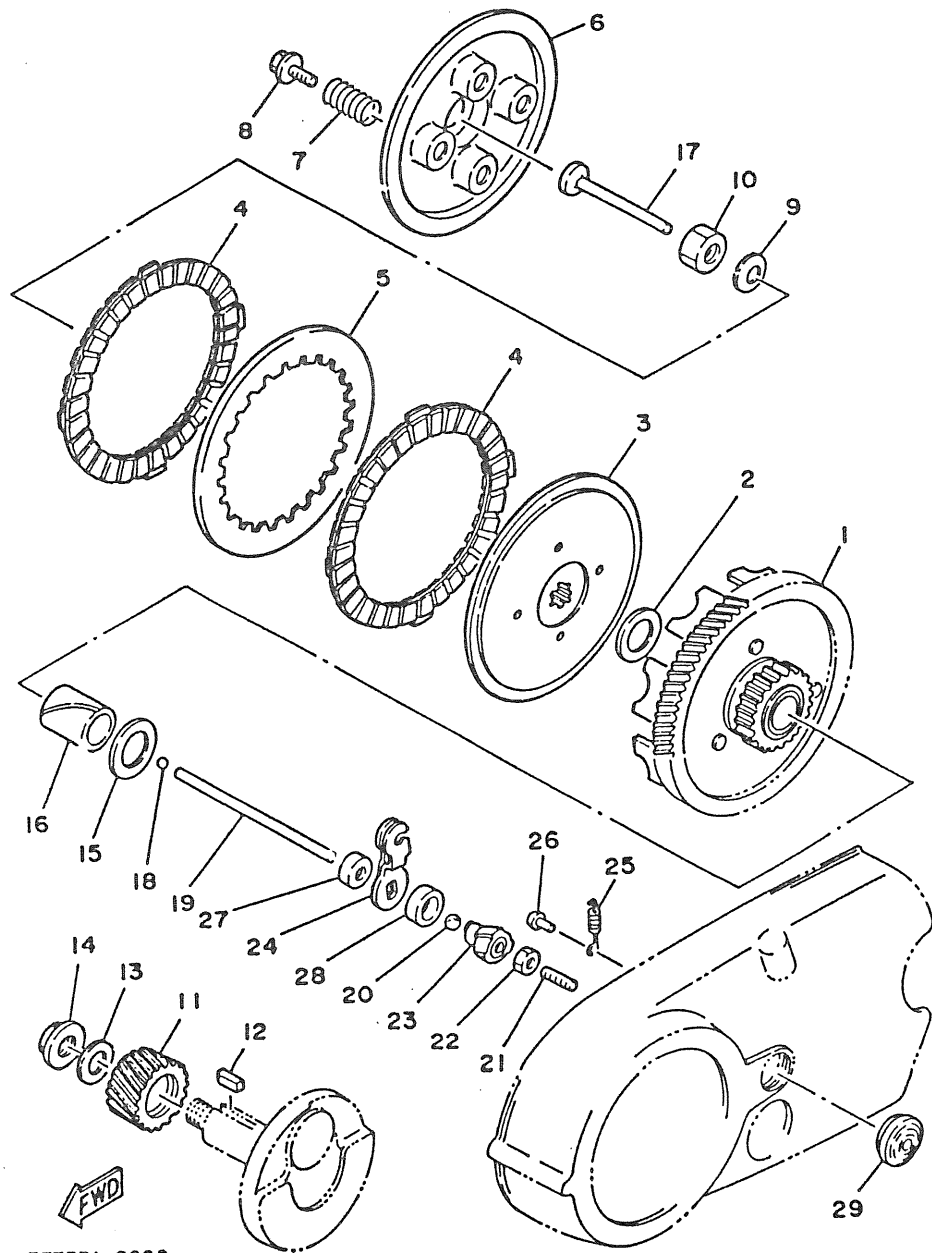
3EE331-8090

FIG. 9 CLUTCH

REF. NO.	PART NO.	DESCRIPTION	Q'TY	REMARKS
1	257-16150-03	PRIMARY DRIVEN GEAR COMP.	1	
2	122-16164-00	PLATE, thrust 2	1	
3	257-16371-01	BOSS, clutch	1	
4	131-16321-00	PLATE, friction	2	
5	257-16324-00	PLATE, clutch 1	1	
6	257-16351-00	PLATE, pressure 1	1	
7	90501-20122	SPRING, compression	4	
8	90119-05001	BOLT, with washer	4	
9	90208-12015	WASHER, conical spring	1	
10	90170-12060	NUT	1	
11	257-16111-01	GEAR, primary drive (19T)	1	
12	90282-05005	KEY, straight	1	
13	90208-12015	WASHER, conical spring	1	
14	90179-12244	NUT	1	
15	122-16164-00	PLATE, thrust 2	1	
16	90560-17150	SPACER	1	
17	137-16356-00	ROD, push 1	1	
18	93503-16010	BALL	1	
19	257-16357-00	ROD, push 2	1	
20	93501-04011	BALL	1	
21	90113-06009	BOLT, set	1	
22	95303-06700	NUT	1	
23	257-16341-00	SCREW, push	1	
24	257-16342-00	LEVER, push	1	
25	90506-07066	SPRING, tension	1	
26	132-16346-00	HOOK, spring	1	
27	93102-04382	OIL SEAL	1	
28	93108-15001	OIL SEAL	1	

FIG. 9 CLUTCH

REF. NO.	PART NO.	DESCRIPTION	Q'TY	REMARKS
29	257-15417-01	COVER, cap	1	



3EE331-8090

B11

LK/bn

Odense S, den 18. maj 1990

Kære YAMAHA forhandler;

(M P)

Vedr.: Bøsning - gearkasse

Vi kan nu levere bøsning mellem gearaksel og krumtaphus
(se tegning).

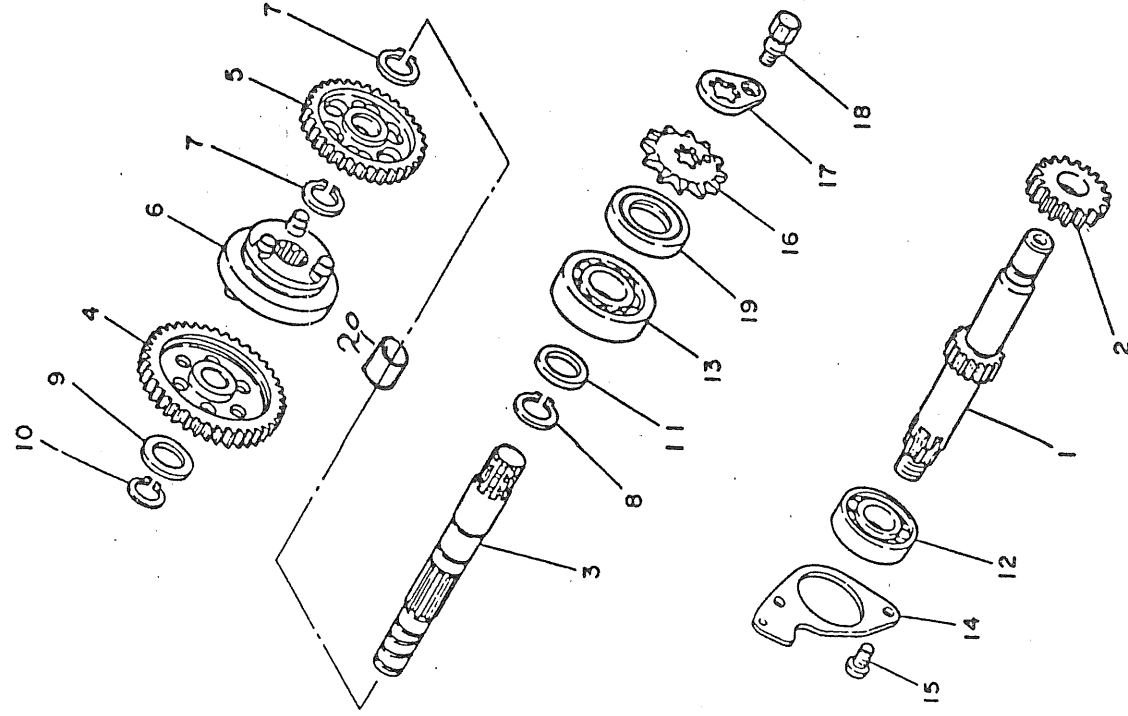


FIG. 10 TRANSMISSION

REF. NO.	PART NO.	DESCRIPTION	Q'TY
1	3W3-17411-01	AXLE, main	1
2	3W3-17121-01	GEAR, 2nd pinion 20	1
3	3W3-17421-00	AXLE, drive	1
4	257-17211-00	GEAR, 1st wheel (40T)	1
5	3W3-17221-00	GEAR, 2nd wheel 33T	1
6	3W3-17285-00	CLUTCH, dog	1
7	99009-16400	CIRCLIP	2
8	99009-17400	CIRCLIP	1
9	257-17219-00	SHIM (0.6T)	1
10	99009-13400	CIRCLIP	1
11	90201-17485	WASHER, plate	1
12	93306-20333	BEARING	1
13	93306-30301	BEARING (B6303)	1
14	257-17471-01	PLATE, cover	1
15	92501-06012	SCREW, pan head	2
16	938A1-14174	SPROCKET, drive (14T)	1
17	3W3-17456-00	HOLDER, sprocket	1
18	90109-06565	BOLT	1
19	93102-17187	OIL SEAL	1
20	90380-DK999		1

Med venlig hilsen
YAMAHA MOTOR DENMARK A/S

Lars Kløcker
Lars Kløcker

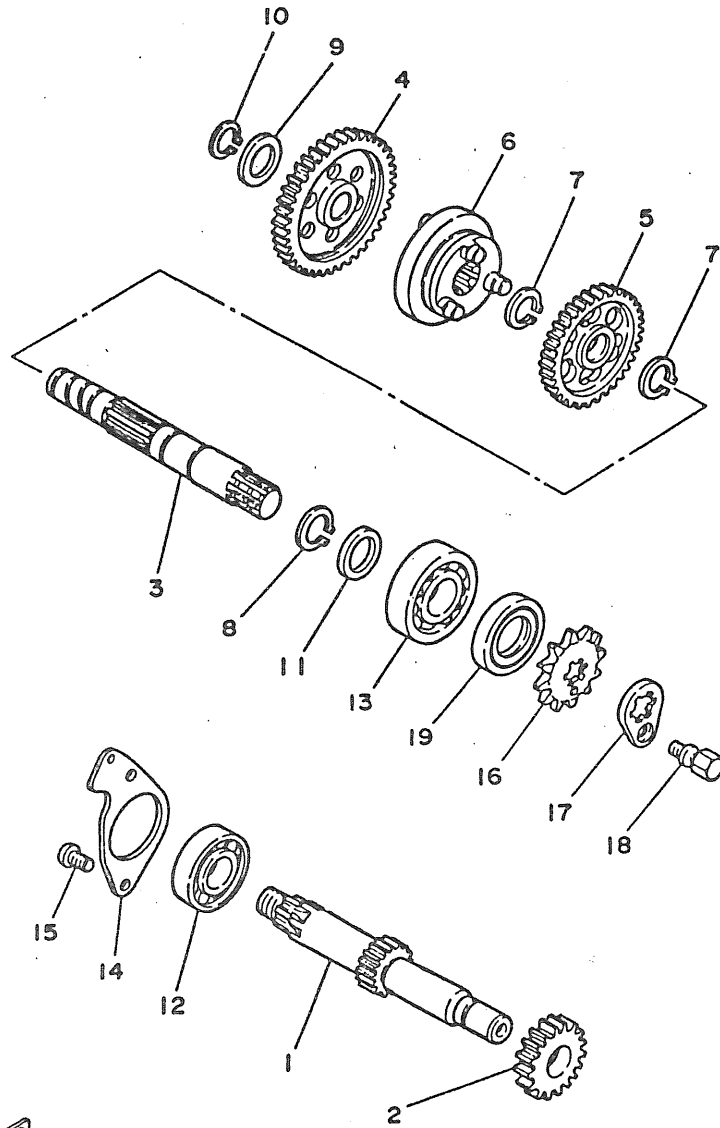
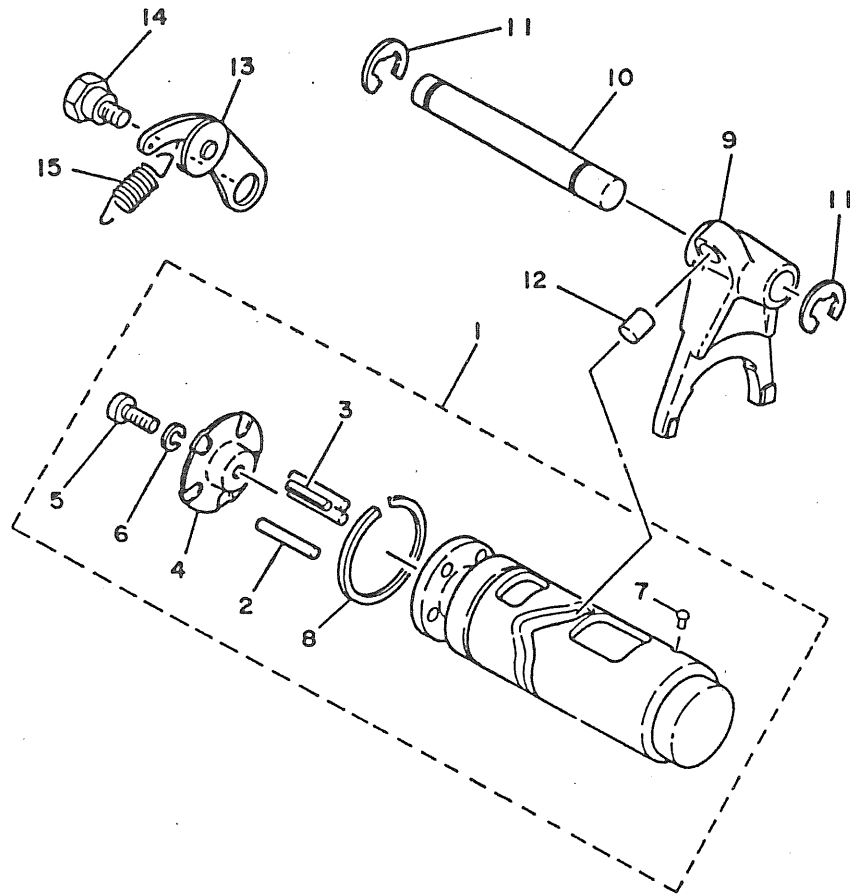


FIG. 10 TRANSMISSION

REF. NO.	PART NO.	DESCRIPTION	Q'TY	REMARKS
1	3W3-17411-01	AXLE, main	1	
2	3W3-17121-01	GEAR, 2nd pinion	1	
3	3W3-17421-00	AXLE, drive	1	
4	257-17211-00	GEAR, 1st wheel (40T)	1	
5	3W3-17221-00	GEAR, 2nd wheel	1	
6	3W3-17285-00	CLUTCH, dog	1	
7	99009-16400	CIRCLIP	2	
8	99009-17400	CIRCLIP	1	
9	257-17219-00	SHIM (0.6T)	1	
10	99009-13400	CIRCLIP	1	
11	90201-17485	WASHER, plate	1	
12	93306-20333	BEARING	1	
13	93306-30301	BEARING (B6303)	1	
14	257-17471-01	PLATE, cover	1	
15	92501-06012	SCREW, pan head	2	
16	938A1-14174	SPROCKET, drive (14T)	1	
17	3W3-17456-00	HOLDER, sprocket	1	
18	90109-06565	BOLT	1	
19	93102-17187	OIL SEAL	1	

FWD
3EE331-8100

FIG. 11 SHIFT CAM. FORK



REF. NO.	PART NO.	DESCRIPTION	Q'TY	REMARKS
1	3EE-18540-00	SHIFT CAM ASSY	1	
2	93604-22050	.PIN, dowel	3	
3	91609-40016	.PIN, spring	1	
4	164-18561-00	.PLATE, side 1	1	
5	98501-05012	.SCREW, pan head	1	
6	92901-05100	.WASHER, spring	1	
7	136-18542-00	.POINT, neutral	1	
8	93440-32017	.CIRCLIP	1	
9	259-18511-01	FORK, shift 1	1	
10	257-18534-00	BAR, shift fork guide	1	
11	99001-08600	CIRCLIP	2	
12	90250-06013	PIN, straight	1	
13	132-18140-01	STOPPER LEVER ASSY	1	
14	90109-06001	BOLT	1	
15	90506-09112	SPRING, tension	1	

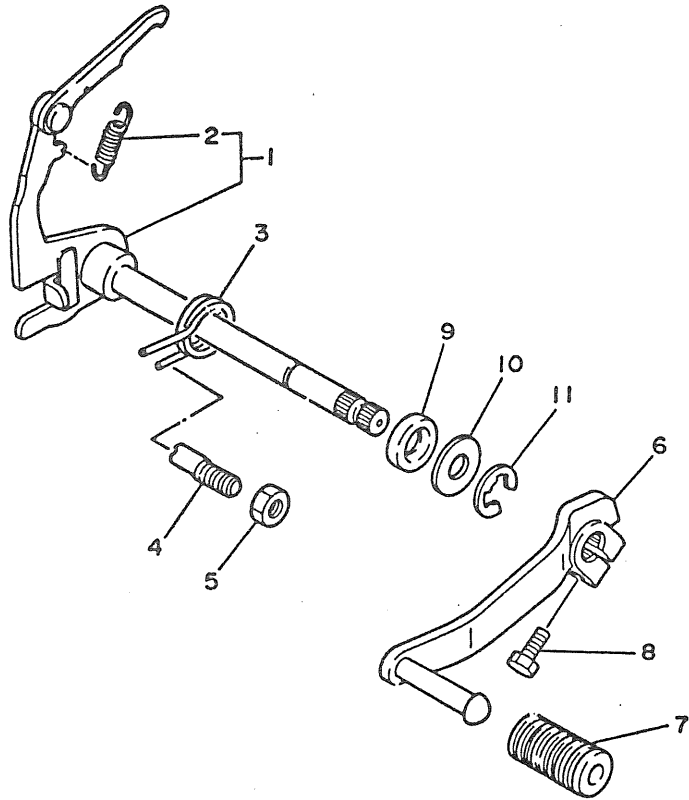


3EE331-8110

B13

FIG. 12 SHIFT SHAFT

REF. NO.	PART NO.	DESCRIPTION	Q'TY	REMARKS
1	257-18101-01	SHIFT SHAFT ASSY	1	
2	90506-09009	.SPRING, tension	1	
3	90508-32207	SPRING, torsion	1	
4	90149-08094	SCREW	1	
5	95303-08600	NUT	1	
6	3EE-18111-00	PEDAL, shift	1	
7	132-18113-01	COVER, shift pedal	1	
8	97021-06020	BOLT	1	
9	93102-12106	OIL SEAL (SD 12-22-5 HS)	1	
10	90201-12575	WASHER, plate	1	
11	99001-10600	CIRCLIP	1	

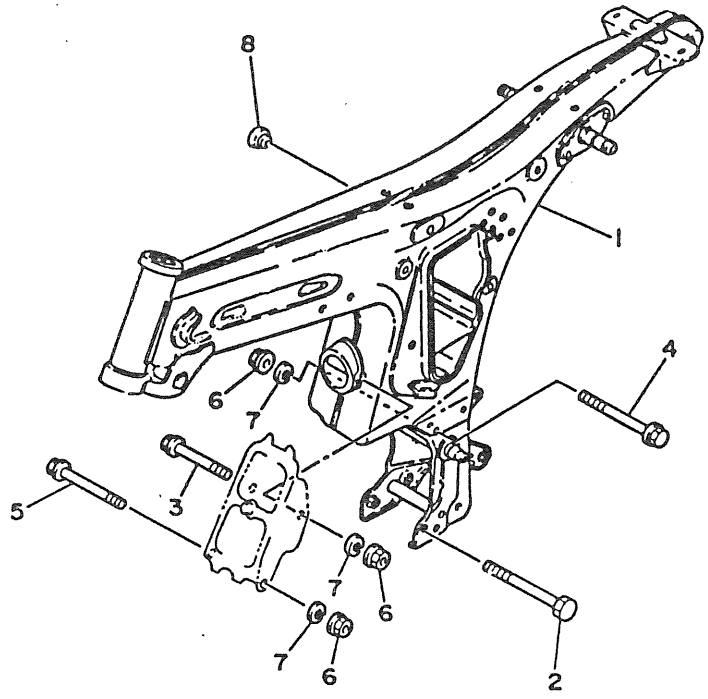


3EE331-8120

B14

FIG. 13 FRAME

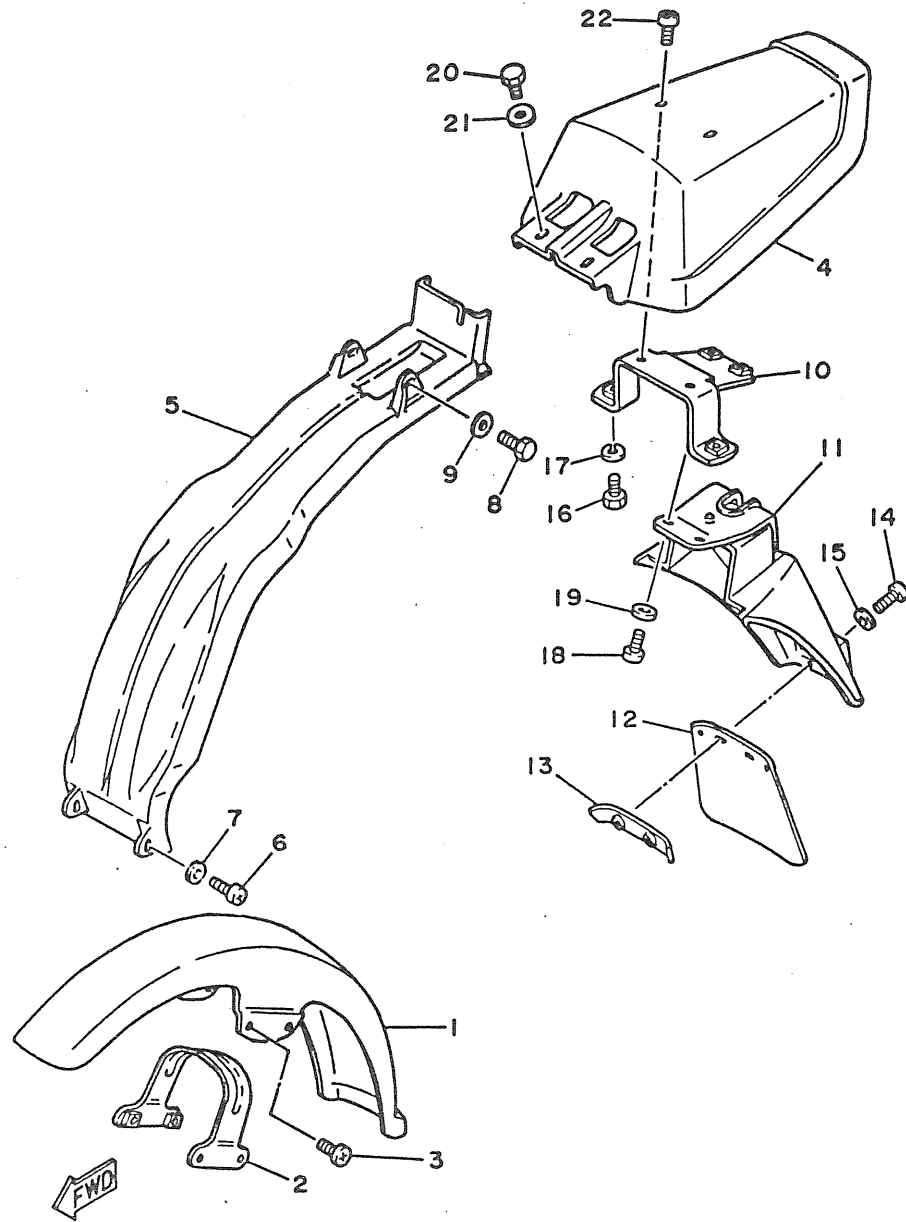
REF. NO.	PART NO.	DESCRIPTION	Q'TY	REMARKS
1	3EE-21110-00-33	FRAME COMP.	1	(MBK) YAMAHA BLACK
2	90101-08538	BOLT	1	
3	95811-08090	BOLT, flange	1	
4	95811-08120	BOLT, flange	1	
5	95811-08100	BOLT, flange	1	
6	95701-08500	NUT, flange	3	
7	92990-08100	WASHER, spring	3	
8	90480-13203	GROMMET	1	



3EE331-8130

B15

FIG. 14 FENDER

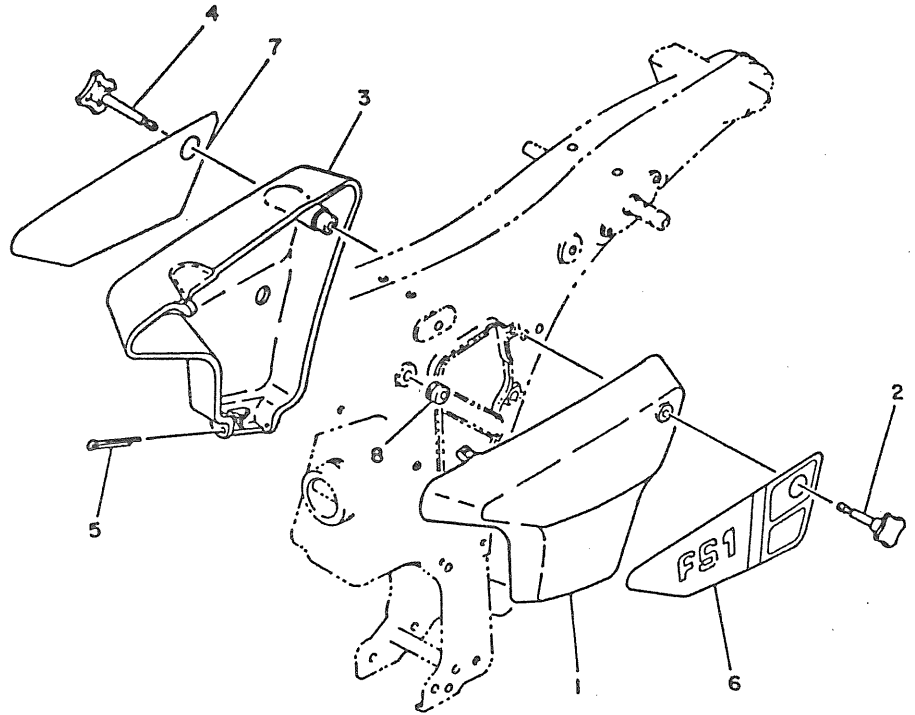


3EE331-8140

REF. NO.	PART NO.	DESCRIPTION	Q'TY	REMARKS
1	3EE-F1510-00	FRONT FENDER COMP.	1	UR FOR YB (MBK)
	3EE-F1510-10	FRONT FENDER COMP.	1	UR FOR FBL (MBK)
	3EE-F1510-20	FRONT FENDER COMP.	1	UR FOR SR (MBK)
2	3EE-F1512-00	BRACKET, fender	1	MBK
3	98903-06012	SCREW, bind	4	
4	3EE-F1610-01	REAR FENDER COMP.	1	UR FOR YB (MBK)
	3EE-F1610-10	REAR FENDER COMP.	1	UR FOR FBL (MBK)
	3EE-F1610-20	REAR FENDER COMP.	1	UR FOR SR (MBK)
5	3EE-F1620-01	MUD GUARD COMP.	1	MBK
6	92506-06012	SCREW, pan head	2	
7	90201-062A8	WASHER, plate	2	
8	97313-08012	BOLT	2	
9	92901-08600	WASHER, plate	2	
10	3EE-F1602-00	BRACKET, fender 1	1	MBK
11	3EE-F1680-00	REAR EXTENSION COMP.	1	MBK
12	25K-21521-00	FLAP, front fender	1	
13	34V-21622-00	BAND, flap	1	
14	98506-05012	SCREW, pan head	2	
15	92906-05600	WASHER, plate	2	
16	97001-08014	BOLT	2	
17	92990-08100	WASHER, spring	2	
18	92501-06014	SCREW, pan head	2	
19	92901-06600	WASHER, plate	2	
20	97313-08012	BOLT	2	
21	90201-081A6	WASHER, plate	2	
22	90149-06264	SCREW	2	

FIG. 15 SIDE COVER

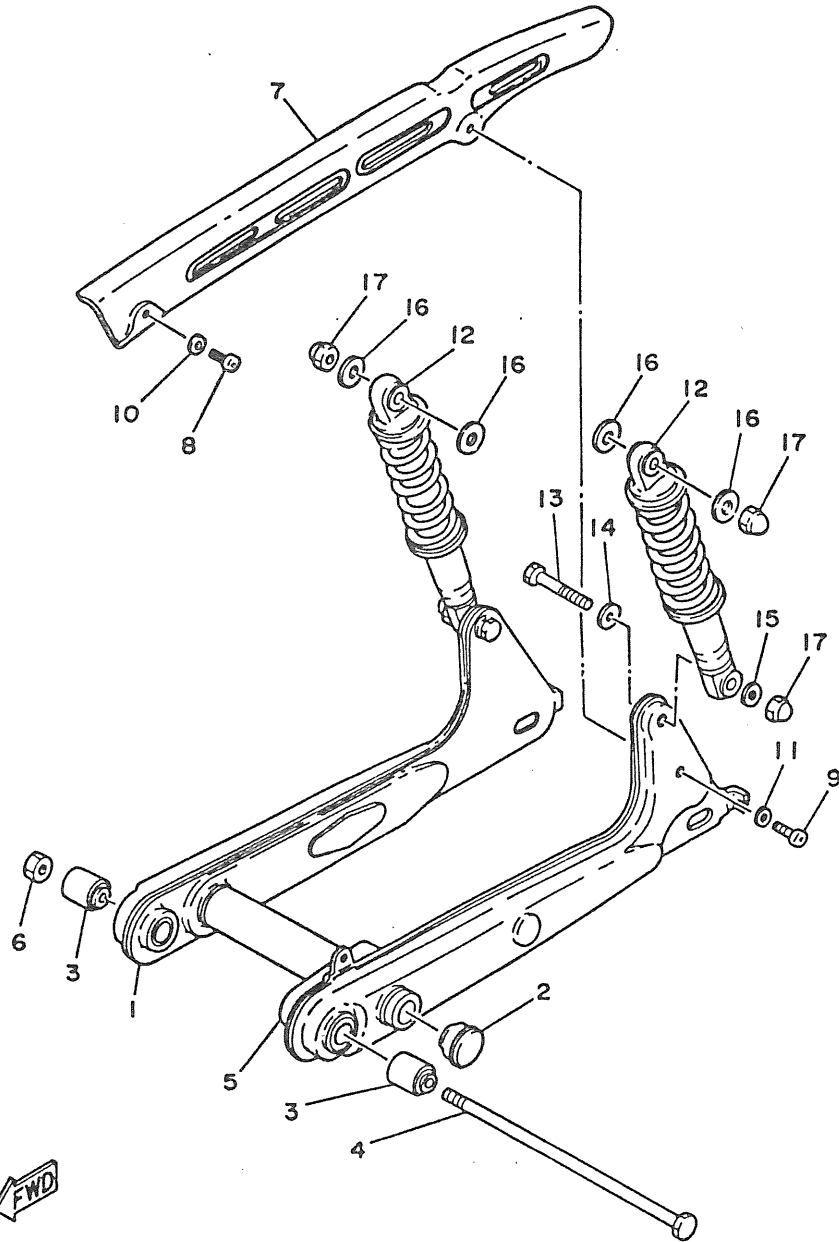
REF. NO.	PART NO.	DESCRIPTION	Q'TY	REMARKS
1	3E8-21711-00	COVER, side 1	1	
2	1Y1-21714-00	KNOB, side cover 1	1	
3	3E8-21721-00	COVER, side 2	1	
4	1Y1-21724-00	KNOB, side cover 2	1	
5	91401-50085	PIN, cotter	1	
6	3EE-21781-00	EMBLEM 1	1	UR FOR YB
	3EE-21781-10	EMBLEM 1	1	UR FOR FBL
	3EE-21781-20	EMBLEM 1	1	UR FOR SR
7	3EE-21782-00	EMBLEM 2	1	UR FOR YB
	3EE-21782-10	EMBLEM 2	1	UR FOR FBL
	3EE-21782-20	EMBLEM 2	1	UR FOR SR
8	90480-01141	GROMMET	2	



3EE331-8150

C3

FIG. 16 REAR ARM. SUSPENSION

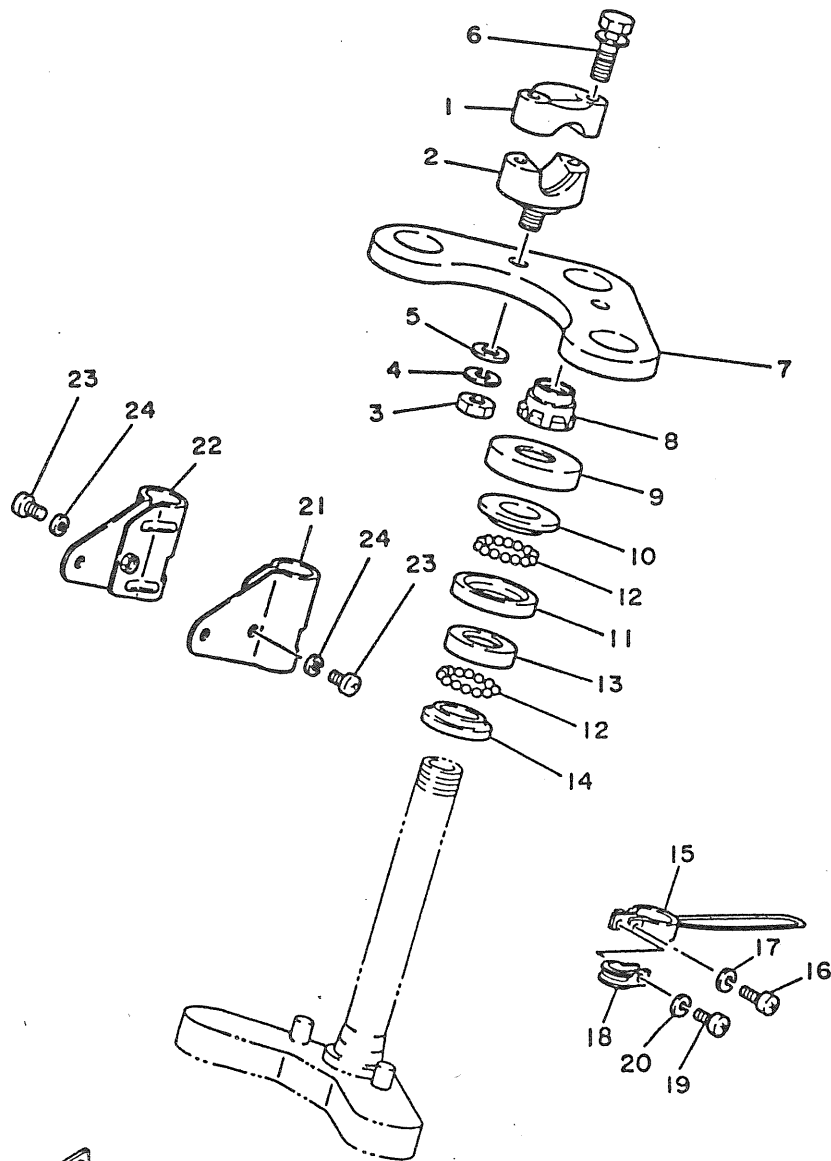


REF. NO.	PART NO.	DESCRIPTION	Q'TY	REMARKS
1	1X6-22110-00-33	REAR ARM COMP.	1	YAMAHA BLACK
2	180-22117-00	CAP	2	
3	102-22123-00	BUSH 1	2	
4	40X-22141-00	SHAFT, pivot	1	
5	296-22151-01	SEAL, guard	1	
6	90185-10060	NUT, self-locking	1	
7	260-22311-00-35	CASE, chain	1	SILVER
8	98501-05008	SCREW, pan head	1	
9	9E501-05020	SCREW, pan head	1	
10	92901-05600	WASHER, plate	1	
11	92901-05600	WASHER, plate	1	
12	3EE-F2210-00	SHOCK ABSORBER ASSY, rear	2	UR FOR YB (MBK)
	3EE-F2210-10	SHOCK ABSORBER ASSY, rear	2	UR FOR FBL,SR(MBK)
13	90101-10255	BOLT	2	
14	90201-10437	WASHER, plate	2	
15	92901-10200	WASHER, plain	2	
16	90201-10437	WASHER, plate	4	
17	90176-10013	NUT, crown	4	

3EE331-8160

C4

FIG. 17 STEERING

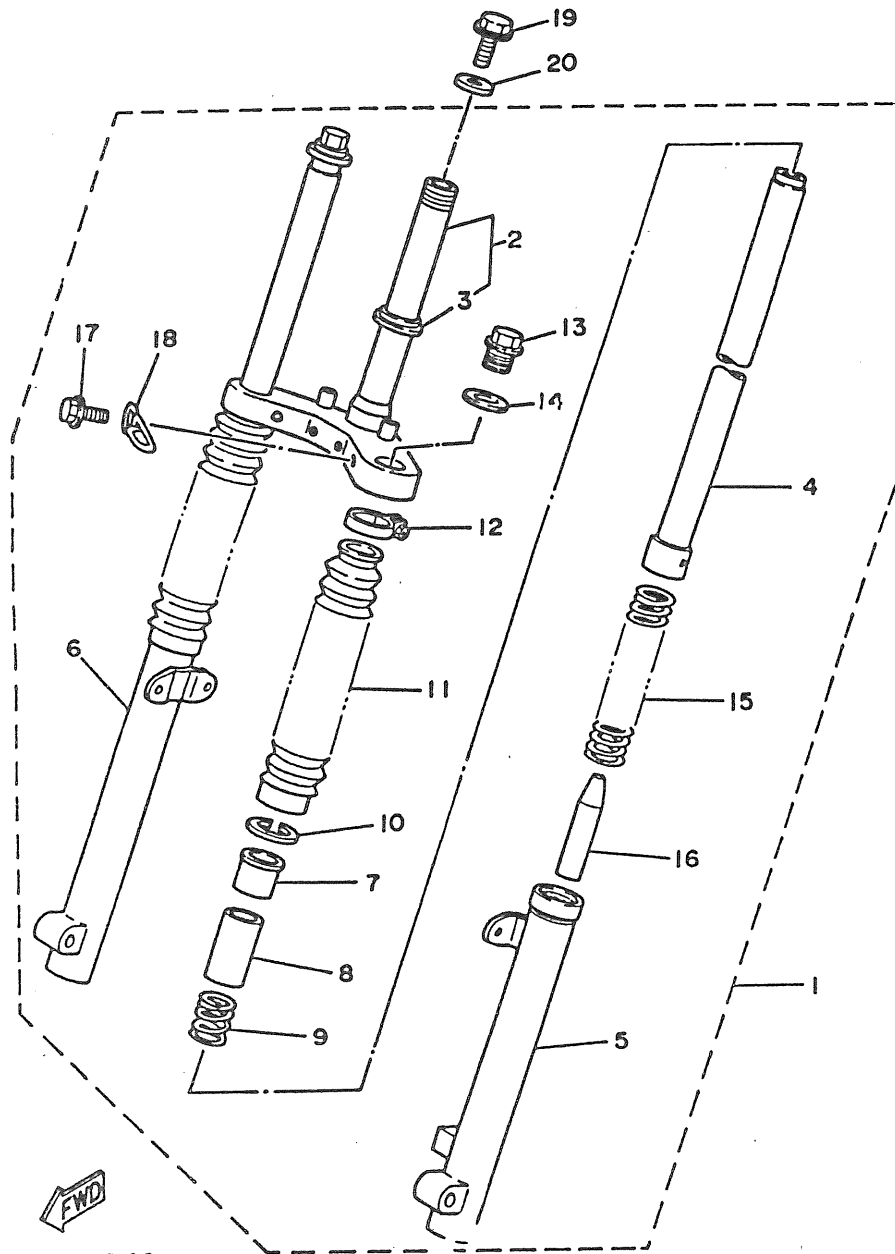


REF. NO.	PART NO.	DESCRIPTION	Q'TY	REMARKS
1	462-23441-00	HOLDER, handle upper	2	
2	462-23442-00-98	HOLDER, handle lower	2	LOW GLOSS BLACK
3	95303-10600	NUT	2	
4	92901-10100	WASHER, spring	2	
5	92990-10600	WASHER, plate	2	
6	90119-06046	BOLT, with washer	4	
7	185-23435-00-98	CROWN, handle	1	LOW GLOSS BLACK
8	90179-25051	NUT	1	
9	136-23415-00	COVER, ball race 1	1	
10	183-23411-00	RACE, ball 1	1	
11	183-23412-00	RACE, ball 2	1	
12	93501-04011	BALL	38	
13	156-23412-00	RACE, ball 2	1	
14	156-23411-00	RACE, ball 1	1	
15	34M-23318-00	HOLDER, cable 1	1	
16	92506-06016	SCREW, pan head	1	
17	92906-06100	WASHER, spring	1	
18	3Y1-23319-00	HOLDER, cable 2	1	
19	92506-06012	SCREW, pan head	1	
20	92906-06100	WASHER, spring	1	
21	3EE-F3327-00	STAY, flasher	1	MBK
22	3EE-F3328-00	STAY, flasher	1	MBK
23	92506-06010	SCREW, pan head	2	
24	92906-06100	WASHER, spring	2	

3EE331-8170

C5

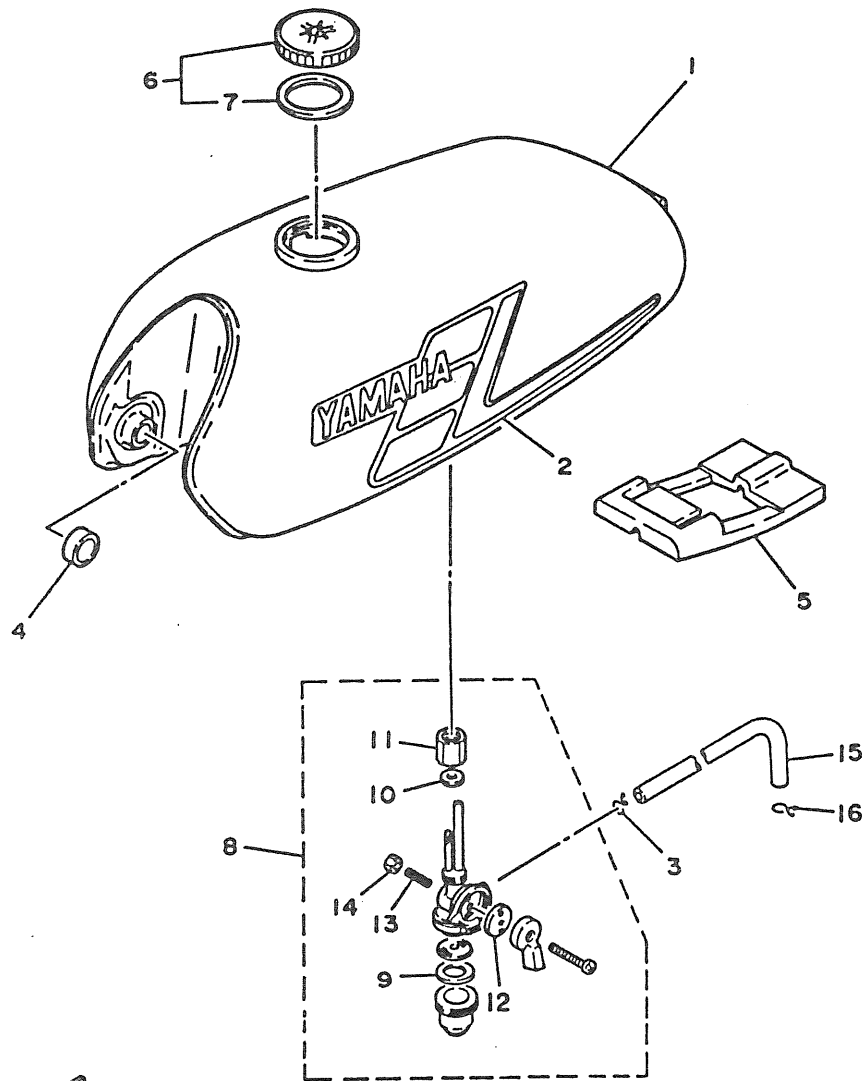
FIG. 18 FRONT FORK



3EE 331-8180

REF. NO.	PART NO.	DESCRIPTION	Q'TY	REMARKS
1	3EE-F3100-01	FRONT FORK ASSY	1	UR FOR YB (MBK)
	3EE-F3100-21	FRONT FORK ASSY	1	UR FOR FBL,SR(MBK)
2	3EE-F3340-02	.UNDER BRACKET COMP.	1	MBK
3	3EE-F3418-00	..WASHER, special	1	MBK
4	3EE-23110-00	.INNER TUBE COMP.1	2	
5	3EE-F3106-00	.OUTER TUBE COMP. (L.H)	1	MBK
6	3EE-F3107-00	.OUTER TUBE COMP. (R.H)	1	MBK
7	3L6-23125-00	.METAL, slide 1	2	
8	17J-23113-00	.COLLAR	2	
9	4N0-23151-00	.SPRING, rebound	2	
10	93450-34064	.CIRCLIP	2	
11	34M-23191-00	.BOOT	2	UR FOR YB
	34M-23191-20	.BOOT	2	UR FOR FBL,SR
12	90460-31163	.CLAMP, hose	2	
13	34M-23111-00	.BOLT, cap	2	
14	3EE-F3386-00	.WASHER, special 2	2	MBK
15	34M-23141-00	.SPRING, front fork	2	
16	34M-23195-00	.RUBBER	1	
17	95826-10040	.BOLT, flange	2	
18	3EE-F331E-00	.GUIDE, cable	1	MBK
19	90105-10006	BOLT, washer based	1	
20	90209-10021	WASHER	1	

FIG. 19 FUEL TANK



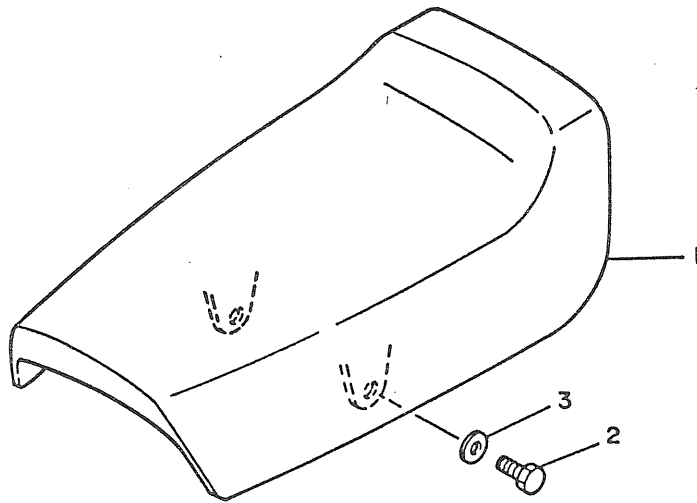
REF. NO.	PART NO.	DESCRIPTION	Q'TY	REMARKS
1	3E8-24110-01-33	FUEL TANK COMP.	1	UR YAMAHA BLACK
	3E8-24110-01-63	FUEL TANK COMP.	1	UR FRENCH BLUE
	3E8-24110-01-66	FUEL TANK COMP.	1	UR SUNSHINE RED
2	3EE-24240-00	GRAPHIC SET	1	UR FOR YB
	3EE-24240-10	GRAPHIC SET	1	UR FOR FBL
	3EE-24240-20	GRAPHIC SET	1	UR FOR SR
3	90467-08003	CLIP	1	
4	122-24181-00	DAMPER, locating 1	2	
5	3E8-24185-00	DAMPER, locating 5	1	
6	122-24610-01	CAP ASSY	1	
7	122-24612-01	.GASKET, cap	1	
8	367-24500-04	FUEL COCK ASSY 1	1	
9	102-24522-01	.GASKET	1	
10	122-24532-00	.GASKET	1	
11	603-24531-01	.NUT	1	
12	355-24523-00	.VALVE	1	
13	355-24518-01	.SPRING, lever	1	
14	95303-05600	.NUT	1	
15	90445-C..353	HOSE	1	
16	90467-08003	CLIP	1	



3EE331-8190

FIG. 20 SEAT

REF. NO.	PART NO.	DESCRIPTION	Q'TY	REMARKS
1	3EE-F4710-01	SINGLE SEAT ASSY	1	MBK
2	97001-08018	BOLT	2	
3	92901-08200	WASHER, plain	2	



3EE331-8200

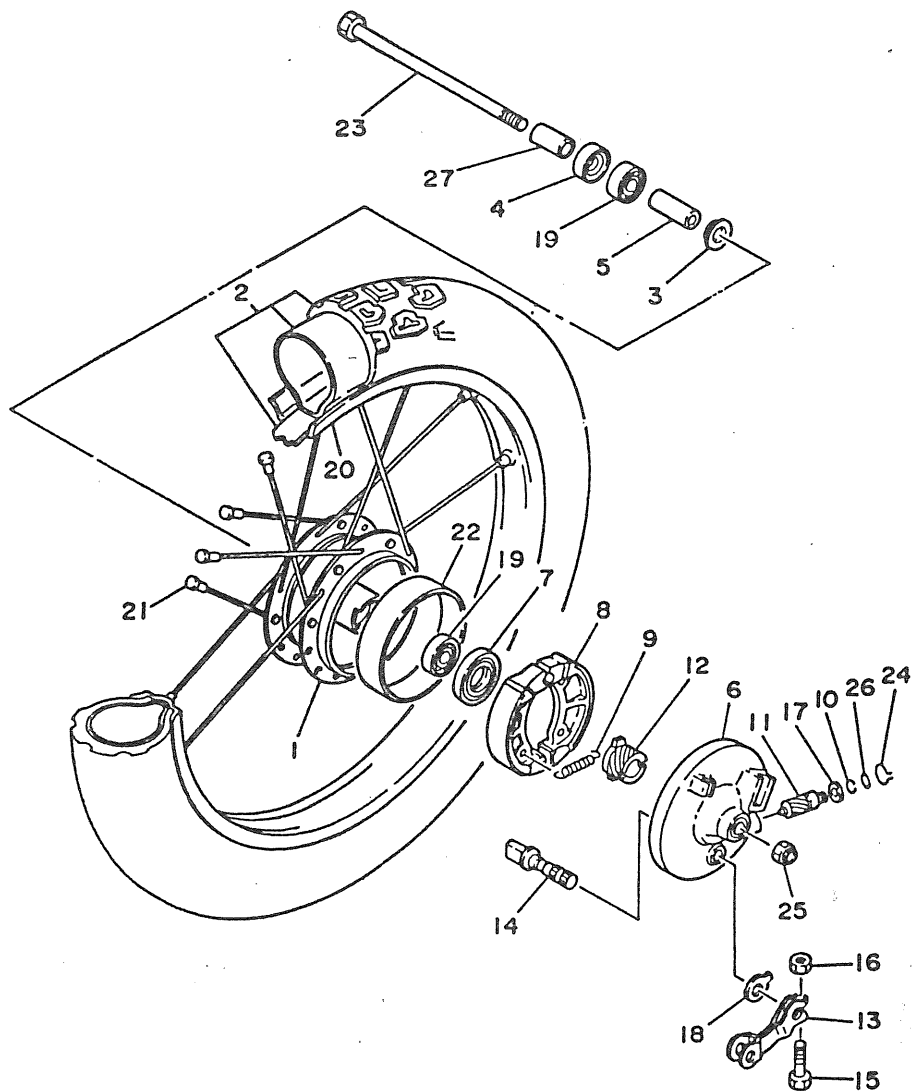


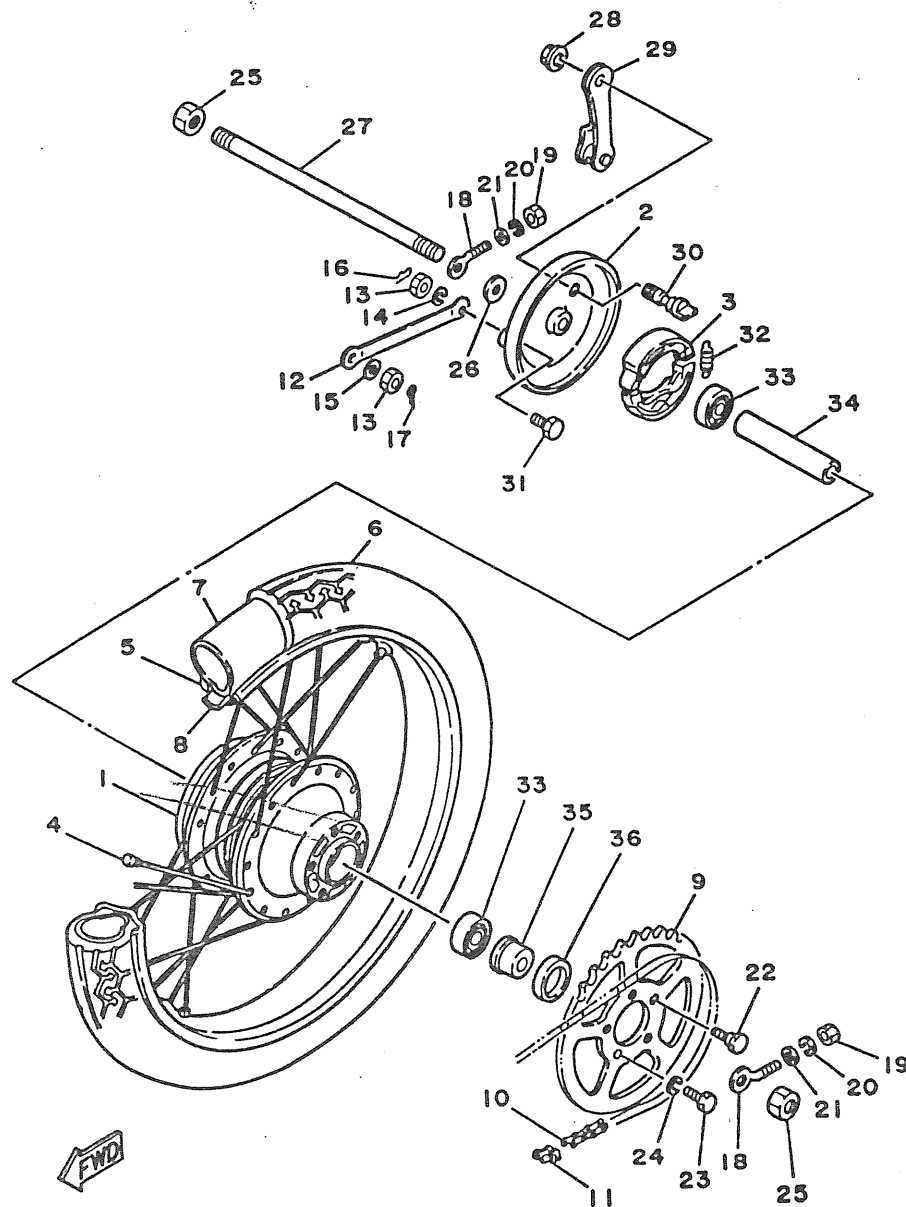
FIG. 21 FRONT WHEEL

REF. NO.	PART NO.	DESCRIPTION	Q'TY	REMARKS
1	34M-25111-00-98	HUB, front	1	LOW GLOSS BLACK
2	3EE-F5108-00	FRONT TIRE SET	1	MBK
3	2E9-25116-00	FLANGE, spacer 2	1	
4	93106-17015	OIL SEAL	1	
5	90560-10103	SPACER	1	
6	34M-25121-00-98	PLATE, brake shoe	1	LOW GLOSS BLACK
7	93109-34057	OIL SEAL	1	
8	4K5-W2535-00	BRAKE SHOE SET	1	
9	90506-14081	SPRING, tension	2	
10	2T4-25137-00	RING, stop	1	
11	34M-25138-00	GEAR, meter	1	
12	34M-25135-00	GEAR, drive	1	
13	34M-25155-00	LEVER, camshaft 1	1	
14	4K5-25351-00	CAMSHAFT	1	
15	90101-05488	BOLT	1	
16	95303-05600	NUT	1	
17	90201-064L6	WASHER, plate	1	
18	3L8-2513A-00	PLATE, indicator	1	
19	93306-20005	BEARING (B6200)	2	UR
	93306-20006	BEARING (B6200)	2	UR
20	94414-17369	RIM (1.40-17)	1	
21	34M-25104-00	SPOKE SET, front	1	
22	17J-25336-00	RING 2	1	
23	34N-25181-00	AXLE, wheel	1	
24	2E9-25137-01	RING, stop	1	
25	95601-10200	NUT, self-locking	1	
26	93210-10096	O-RING	1	
27	90387-10620	COLLAR	1	



3EE331-8210

FIG. 22 REAR WHEEL



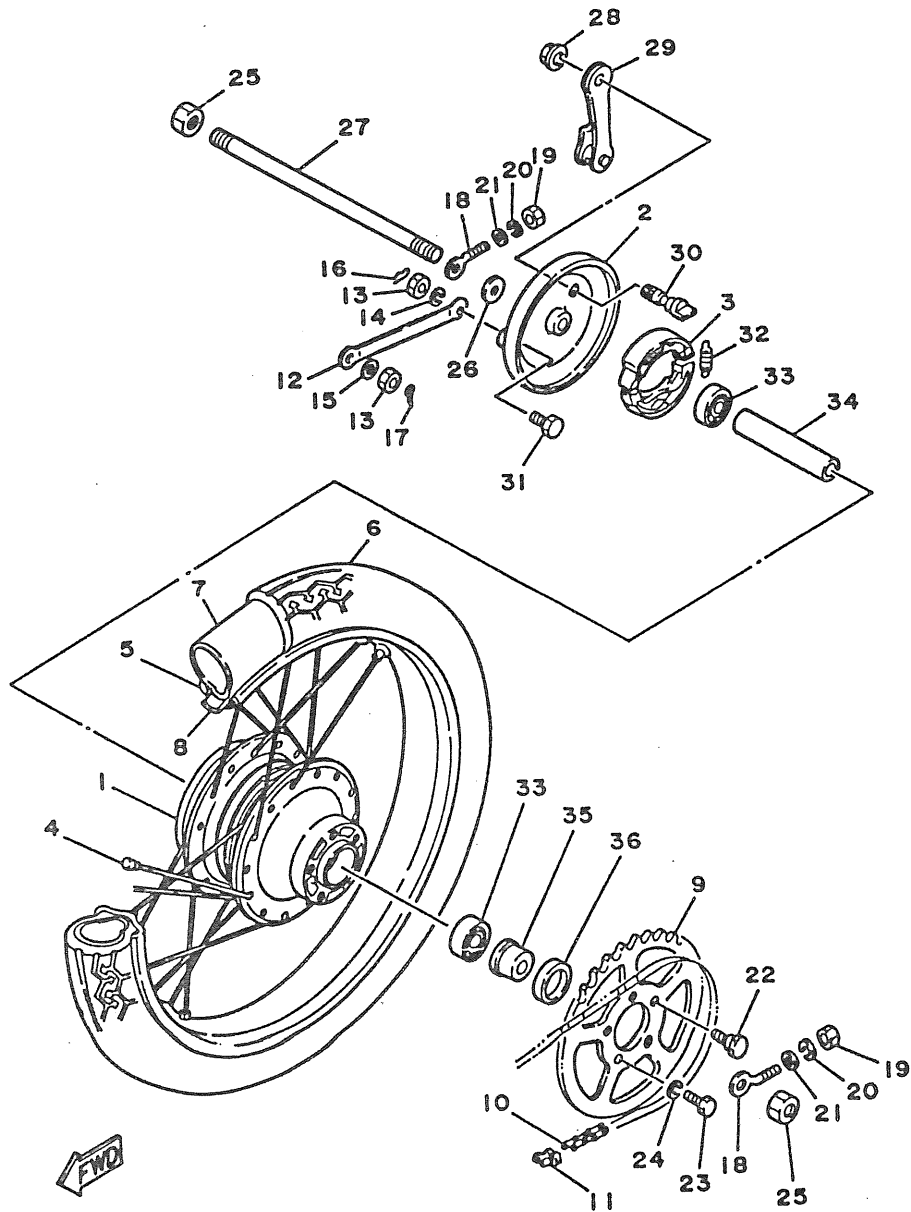
3EE331-8220

REF. NO.	PART NO.	DESCRIPTION	Q'TY	REMARKS
1	3EE-F5311-00-98	HUB, rear	1	LOW GLOSS BLACK(MBK)
2	3EE-F5321-00-98	PLATE, brake shoe	1	LOW GLOSS BLACK(MBK)
3	3EE-F5330-00	BRAKE SHOE COMP.	1	MBK
4	3EE-F5304-00	SPOKE SET, rear	1	MBK
5	94414-17369	RIM (1.40-17)	1	
6	94122-17800	TIRE (2.25-17)	1	MBK
7	94222-17800	TUBE (2.25-17)	1	MBK
8	94322-17837	BAND, rim	1	MBK (697519-1-00-03)
9	3EE-F5437-00-33	SPROCKET, driven (37T)	1	YAMAHA BLACK (MBK)
10	94508-16099	CHAIN (99L) <i>did 415</i>	1	LM MBK
11	94608-16001	JOINT, chain	1	LM MBK
12	3EE-F5371-00	BAR, tension	1	MBK
13	95303-08700	NUT	2	
14	92990-08100	WASHER, spring	1	
15	92901-08200	WASHER, plain	1	
16	90468-10050	CLIP	1	
17	91401-20015	PIN, cotter	1	
18	102-25389-00	PULLER, chain 2	2	
19	95303-06600	NUT	2	
20	92990-06100	WASHER, spring	2	
21	90201-061A5	WASHER, plate	2	
22	90109-08786	BOLT	1	
23	97016-08020	BOLT	4	
24	92906-08100	WASHER, spring	4	
25	3EE-F5382-00	NUT	2	MBK
26	3EE-F5384-00	WASHER, plate	1	MBK
27	3EE-F5381-00	AXLE, wheel	1	MBK
28	3EE-F5372-00	NUT	1	MBK

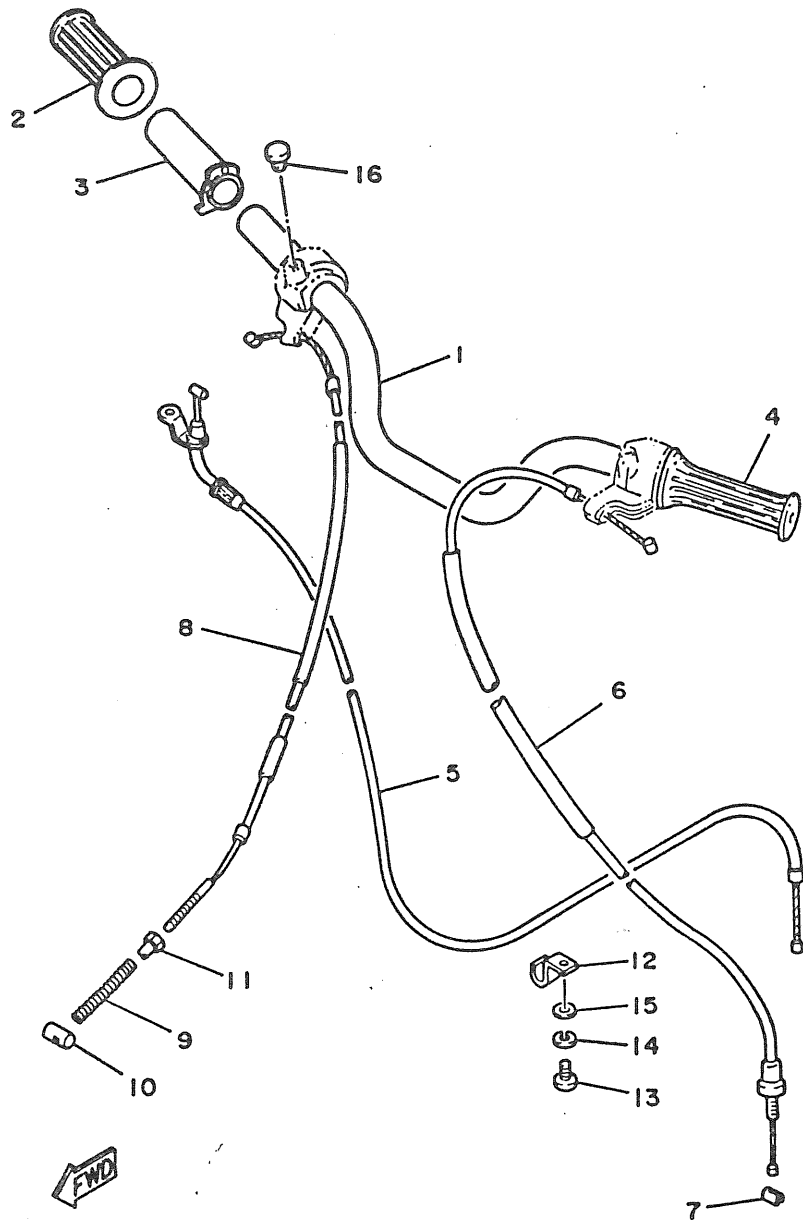
C10

FIG. 22 REAR WHEEL

REF. NO.	PART NO.	DESCRIPTION	Q'TY	REMARKS
29	3EE-F5355-00	LEVER, camshaft	1	MBK
30	3EE-F5351-00	CAMSHAFT	1	MBK
31	3EE-F5373-00	BOLT	1	MBK
32	3EE-F5333-00	SPRING	1	MBK
33	93306-201Y1	BEARING (6201RS1)	2	MBK
34	3EE-F5317-00	SPACER	1	MBK
35	3EE-F5377-00	COLLAR	1	MBK
36	3EE-F5319-00	OIL SEAL	1	MBK



3EE331-8220

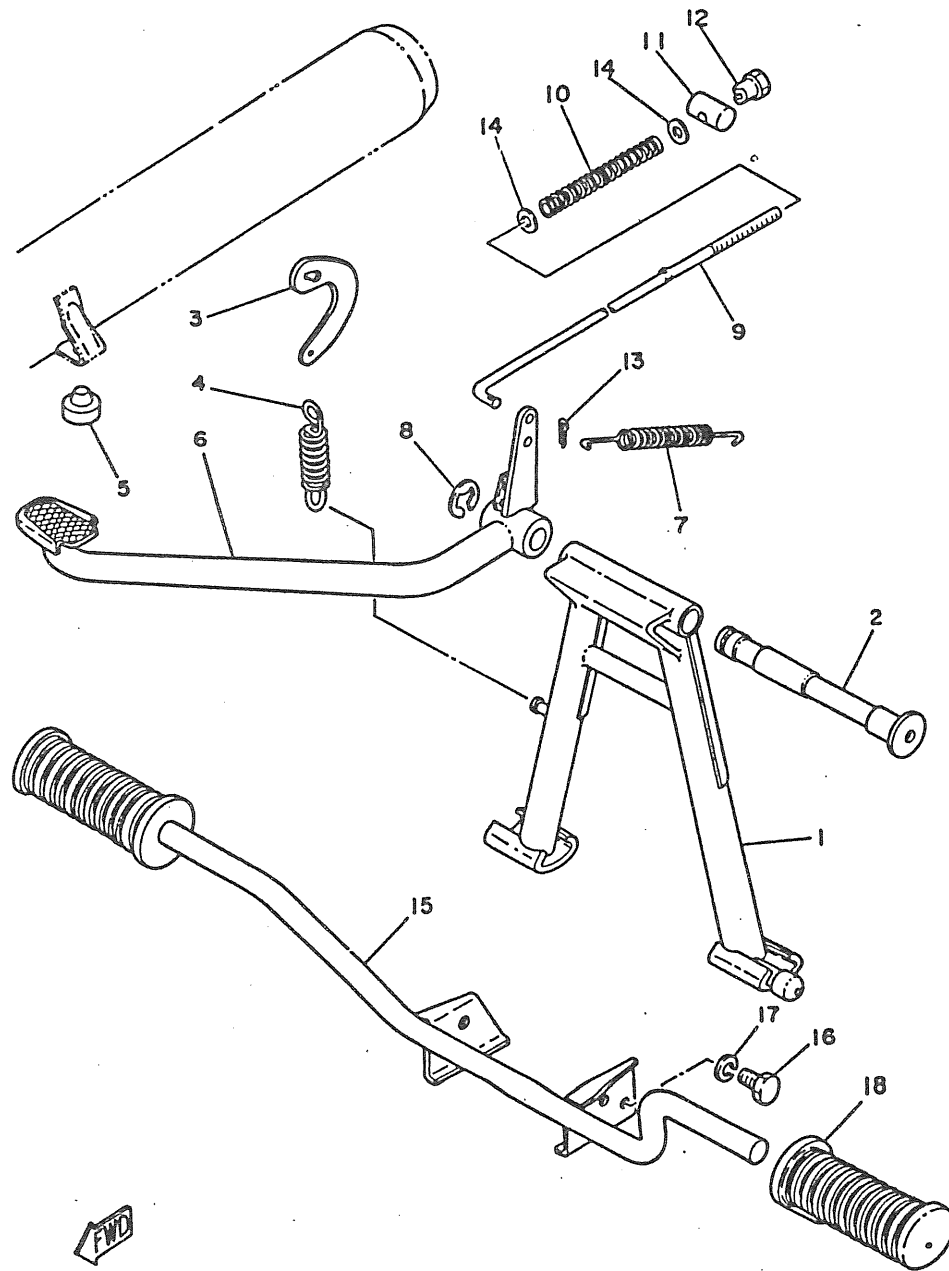


3EE331-8230

FIG. 23 STEERING HANDLE. CABLE

REF. NO.	PART NO.	DESCRIPTION	Q'TY	REMARKS
1	3EE-F6111-01	HANDLEBAR	1	MBK
2	2E9-26242-10	GRIP (R.H)	1	
3	2GN-26243-00	TUBE, throttle guide	1	
4	2E9-26241-10	GRIP (L.H)	1	
5	3EE-26311-00	CABLE, throttle 1	1	
6	3EE-26335-00	CABLE, clutch	1	
7	164-26363-00	END, cable	1	
8	3EE-26341-00	CABLE, brake	1	
9	90501-10513	SPRING, compression	1	
10	90249-12008	PIN	1	
11	90179-06176	NUT	1	
12	90462-06009	CLAMP	1	
13	92501-06008	SCREW, pan head	1	
14	92990-06100	WASHER, spring	1	
15	92901-06600	WASHER, plate	1	
16	90338-07124	PLUG	2	

FIG. 24 STAND, FOOTREST



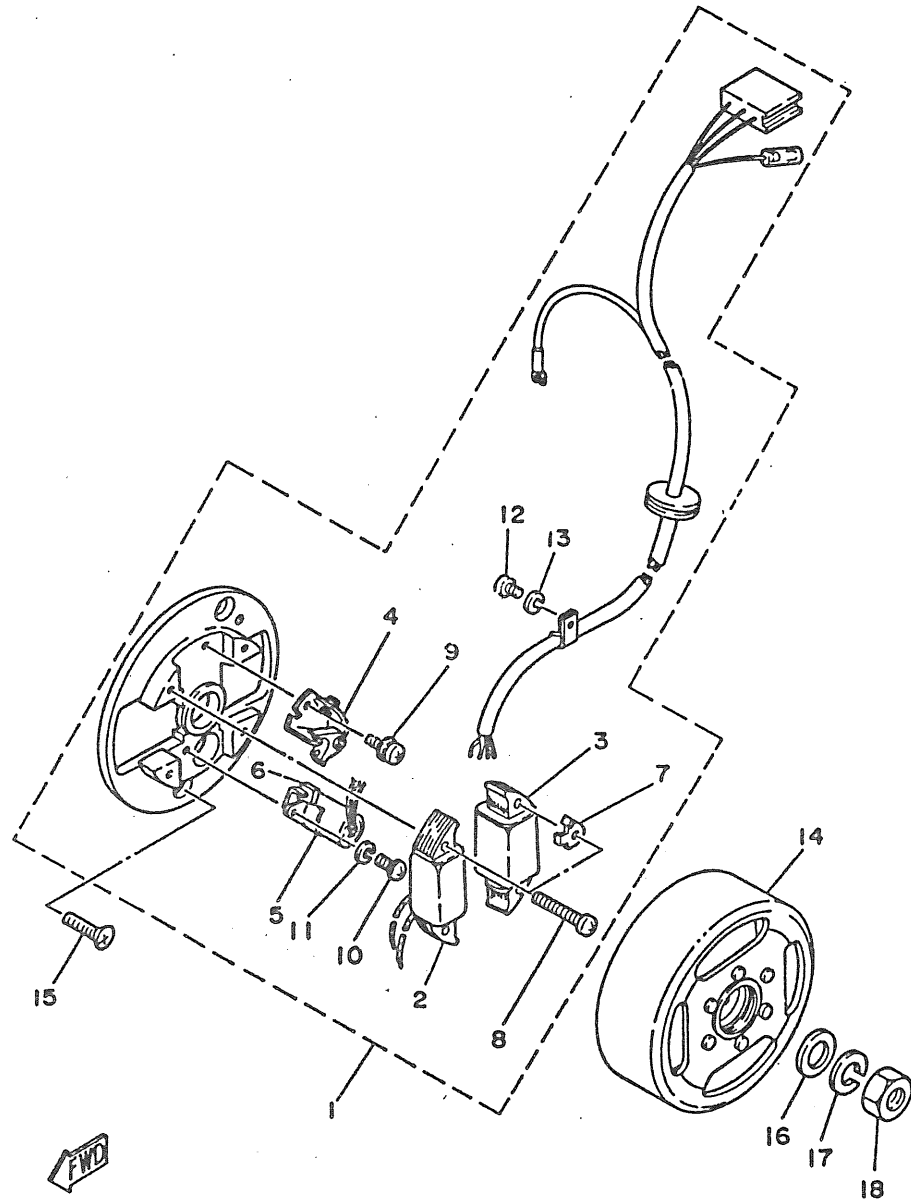
REF. NO.	PART NO.	DESCRIPTION	Q'TY	REMARKS
1	207-27111-00	STAND, main	1	
2	122-27112-00	SHAFT, main stand	1	
3	109-27115-00	LINK, main stand	1	
4	90506-29054	SPRING, tension	1	
5	116-27114-00	STOPPER, main stand	1	
6	394-27211-00-91	PEDAL, brake	1	UNI CHROME
7	90506-20041	SPRING, tension	1	
8	93430-12008	CIRCLIP	1	
9	180-27231-01	ROD, brake	1	
10	90501-10245	SPRING, compression	1	
11	90249-12008	PIN	1	
12	90179-06176	NUT	1	
13	91401-20015	PIN, cotter	1	
14	92901-06600	WASHER, plate	2	
15	260-27411-00	FOOTREST 1	1	
16	90101-08246	BOLT	1	
17	92990-08100	WASHER, spring	1	
18	122-27413-00	COVER, footrest	2	



3F0322-2250

C13

FIG. 25 GENERATOR

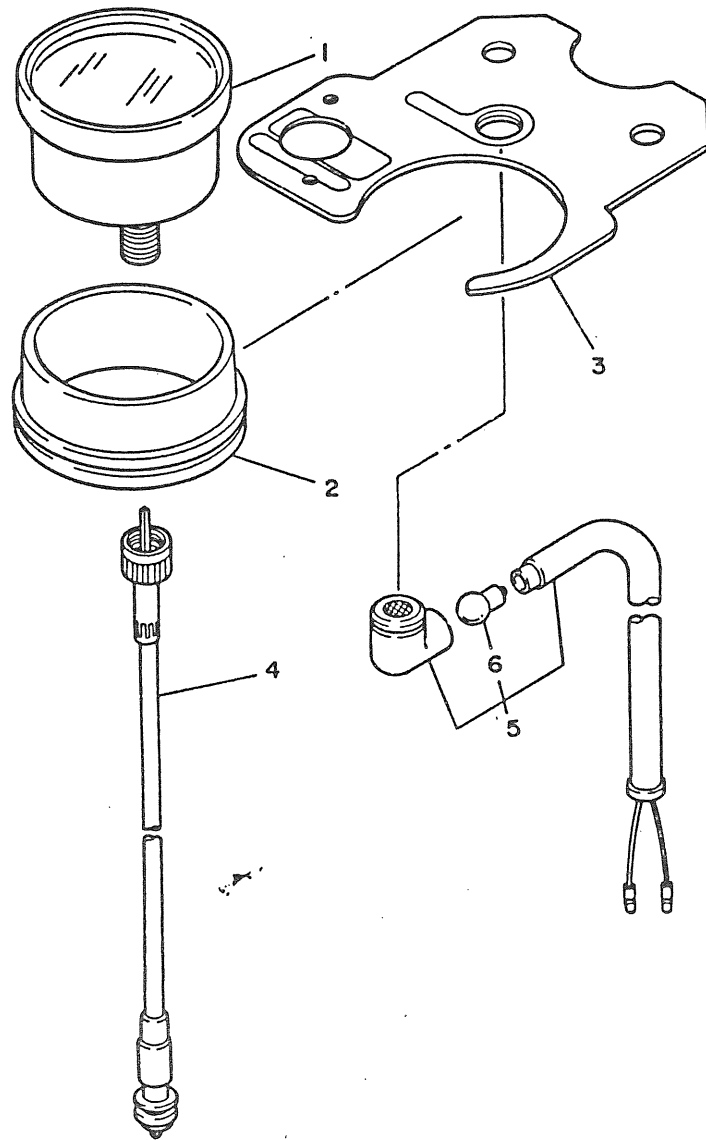


REF. NO.	PART NO.	DESCRIPTION	Q'TY	REMARKS
1	3EE-81310-00	BASE ASSY	1	
2	3F6-81312-MO	.COIL, source	1	
3	3EE-81313-00	.COIL, lighting 1	1	
4	1V1-81321-90	.CONTACT BREAKER ASSY	1	
5	481-81325-MO	.CONDENSER 1	1	
6	481-81331-MO	.LUBRICATOR	1	
7	481-81332-MO	.PLATE, timing	1	
8	98511-04020	.SCREW, pan head	4	
9	90159-04027	.SCREW, with washer	1	
10	98580-04010	.SCREW, pan head	1	
11	92901-04100	.WASHER, spring	1	
12	98501-04006	.SCREW, pan head	1	
13	92901-04100	.WASHER, spring	1	
14	355-81350-MO	ROTOR ASSY	1	
15	98701-05016	SCREW, flat head	2	
16	90201-12535	WASHER, plate	1	
17	92901-12100	WASHER, spring	1	
18	90170-12175	NUT	1	

3EE331-8250

FIG. 26 METER

REF. NO.	PART NO.	DESCRIPTION	Q'TY	REMARKS
1	3EE-H3510-00	SPEEDOMETER ASSY	1	MBK
2	1TK-H3513-00	DAMPER	1	MBK
3	3EE-H3519-02	BRACKET, meter	1	MBK
4	3EE-83550-00	SPEEDOMETER CABLE ASSY	1	
5	3EE-83530-00	PILOT LIGHT ASSY	1	
6	122-83516-10	.BULB (6V-3W)	1	

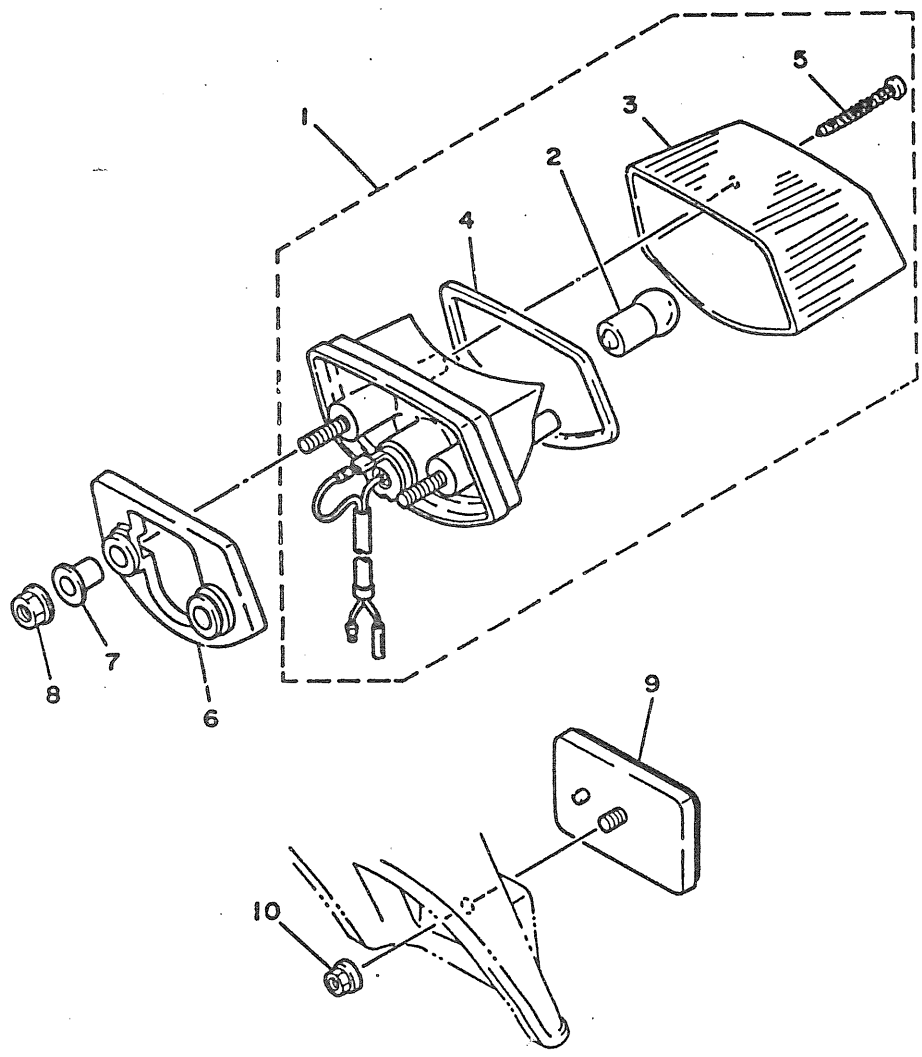


3EE331-8260

C15

FIG. 28 TAILLIGHT

REF. NO.	PART NO.	DESCRIPTION	Q'TY	REMARKS
1	3EE-84510-00	TAILLIGHT UNIT ASSY	1	
2	3EE-84514-00	.BULB, tail light (6V-5W)	1	
3	37E-84721-E1	.LENS, taillight	1	
4	10V-84523-00	.GASKET, lens	1	
5	97706-40530	.SCREW, tapping	2	
6	10V-84527-00	DAMPER	1	
7	90387-07391	COLLAR	2	
8	95701-06500	NUT, flange	2	
9	3G1-85130-01	REAR REFLECTOR ASSY	1	
10	95701-05500	NUT, flange	1	

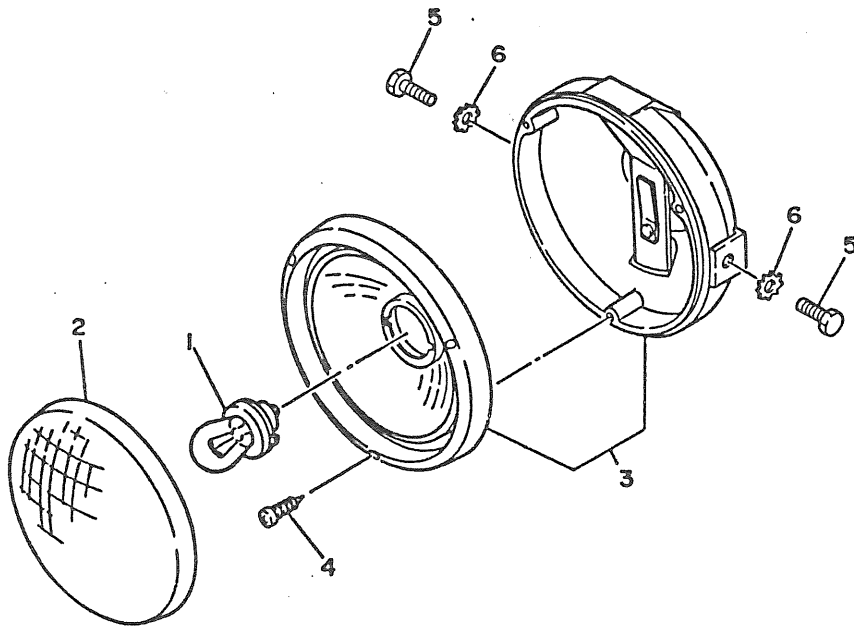


3EE331-8280

D3

FIG. 27 HEADLIGHT

REF. NO.	PART NO.	DESCRIPTION	Q'TY	REMARKS
1	1TL-H4114-00	BULB, headlight (6V-15W)	1	MBK
2	1TK-H4120-00	LENS ASSY	1	MBK
3	1TK-H4130-00	BODY ASSY, headlight	1	MBK
4	1TK-H4125-00	SCREW, rim fitting	3	MBK
5	97313-06016	BOLT	2	
6	92901-06400	WASHER, external tooth	2	

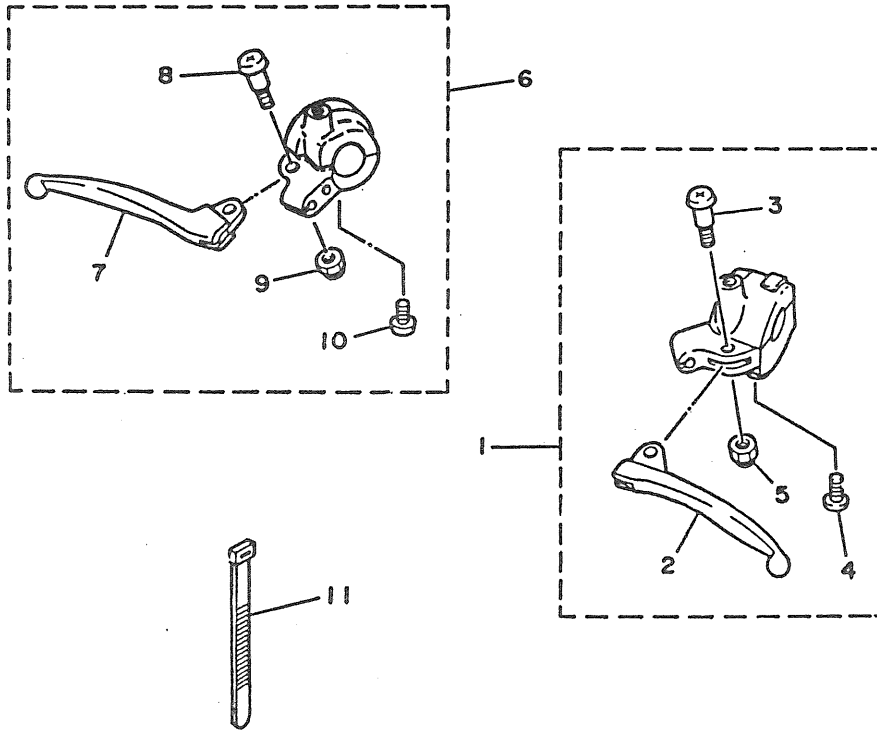


3EE331-8270

D2

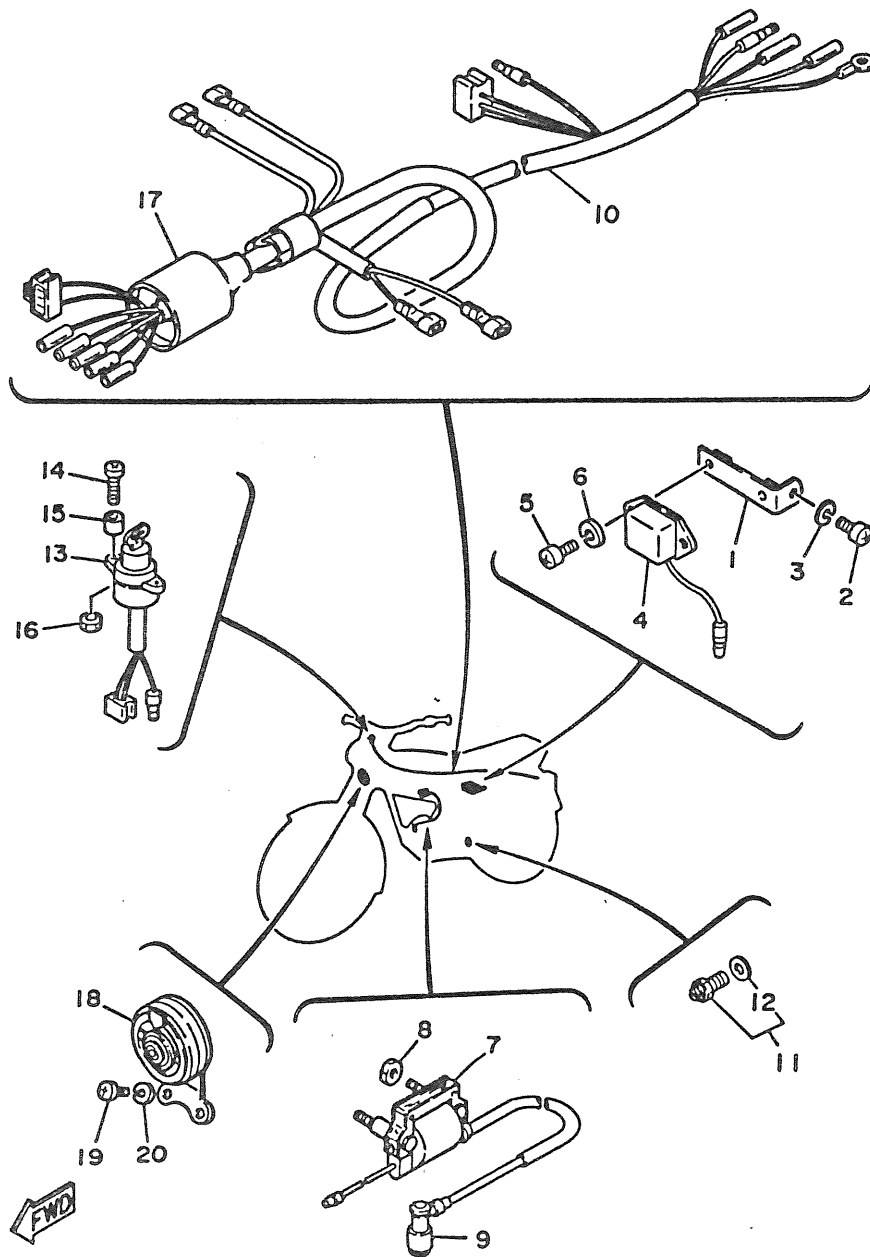
FIG. 29 HANDLE SWITCH. LEVER

REF. NO.	PART NO.	DESCRIPTION	Q'TY	REMARKS
1	3EE-82910-00	LEVER HOLDER ASSY (LEFT)	1	
2	14T-83912-00	.LEVER 1	1	
3	90149-05190	.SCREW	1	
4	98506-05035	.SCREW, pan head	2	
5	95601-05100	.NUT, u	1	
6	34U-W8292-00	LEVER HOLDER ASSY (RIGHT)	1	
7	14T-83922-00	.LEVER 2	1	
8	90149-06175	.SCREW	1	
9	95601-05100	.NUT, u	1	
10	98501-05030	.SCREW, pan head	2	
11	437-83936-00	BAND, switch cord	2	



3EE331-8290

D4



3EE331-8300

FIG. 30 ELECTRICAL 1

REF. NO.	PART NO.	DESCRIPTION	Q'TY	REMARKS
1	3EE-H1915-01	PLATE, regulator fitting	1	MBK
2	92501-06010	SCREW, pan head	1	
3	92990-06100	WASHER, spring	1	
4	3MS-81910-20	VOLTAGE REGULATOR ASSY	1	
5	92501-06010	SCREW, pan head	2	
6	92990-06100	WASHER, spring	2	
7	355-82310-M0	IGNITION COIL ASSY	1	
8	95303-06600	NUT	2	
9	56J-82370-00	PLUG CAP ASSY	1	
10	3EE-82590-00	WIRE HARNESS ASSY	1	
11	136-82540-00	NEUTRAL SWITCH ASSY	1	
12	90430-11034	.GASKET	1	
13	3EE-82510-00	MAIN SWITCH ASSY	1	
14	98906-04025	SCREW, bind	2	
15	90387-05890	COLLAR	2	MBK
16	95701-04100	NUT, flange	2	
17	8Y0-82599-00	COVER, connector	1	
18	3EE-H3371-00	HORN	1	MBK
19	92506-06012	SCREW, pan head	2	
20	92906-06100	WASHER, spring	2	

NUMERICAL INDEX

PART NO.	GRID NO.	PART NO.	GRID NO.	PART NO.	GRID NO.	PART NO.	GRID NO.	PART NO.	GRID NO.	PART NO.	GRID NO.
3EE-F1510-00	C-2	1TK-H4120-00	D-2	3E8-14451-00	B-4	257-16371-01	B-10	3Y1-23319-00	C-5	116-27114-00	C-13
3EE-F1510-10	C-2	1TK-H4125-00	D-2	3E8-14453-00	B-4	3W3-17121-01	B-12	156-23411-00	C-5	109-27115-00	C-13
3EE-F1510-20	C-2	1TK-H4130-00	D-2	3E8-14473-00	B-4	257-17211-00	B-12	183-23411-00	C-5	394-27211-00-91	C-13
3EE-F1512-00	C-2	4K5-W2535-00	C-9	288-14481-02	B-4	257-17219-00	B-12	156-23412-00	C-5	180-27231-01	C-13
3EE-F1602-00	C-2	34U-W8292-00	D-4	3E8-14498-00	B-4	3W3-17221-00	B-12	183-23412-00	C-5	260-27411-00	C-13
3EE-F1610-01	C-2	257-11111-01	B-2	348-14611-00	B-6	3W3-17285-00	B-12	136-23415-00	C-5	122-27413-00	C-13
3EE-F1610-10	C-2	381-11181-60	B-2	1L4-14612-00	B-6	3W3-17411-01	B-12	185-23435-00-98	C-5	3EE-81310-00	C-14
3EE-F1610-20	C-2	381-11311-61	B-2	132-14613-00	B-6	3W3-17421-00	B-12	462-23441-00	C-5	3F6-81312-MO	C-14
3EE-F1620-01	C-2	3E1-11351-01	B-2	381-14710-10	B-6	3W3-17456-00	B-12	462-23442-00-98	C-5	3EE-81313-00	C-14
3EE-F1680-00	C-2	3E8-11400-00	B-3	109-14713-00	B-6	257-17471-01	B-12	3E8-24110-01-G3	C-7	1V1-81321-90	C-14
3EE-F2210-00	C-4	3E8-11412-00	B-3	3E1-14714-00	B-6	257-18101-01	B-14	3E8-24110-01-33	C-7	481-81325-MO	C-14
3EE-F2210-10	C-4	3E8-11422-00	B-3	3EE-1490J-00	B-5	3EE-18111-00	B-14	3E8-24110-01-66	C-7	481-81331-MO	C-14
3EE-F310J-01	C-6	260-11601-02	B-3	257-15111-02	B-7	132-18113-01	B-14	122-24181-00	C-7	481-81332-MO	C-14
3EE-F310J-21	C-6	260-11601-12	B-3	378-15121-60	B-7	132-18140-01	B-13	3E8-24185-00	C-7	355-81350-MO	C-14
3EE-F3106-00	C-6	260-11601-22	B-3	378-15359-60	B-7	259-18511-01	B-13	3EE-24240-00	C-7	3M5-81910-20	D-5
3EE-F3107-00	C-6	3E8-11631-00-96	B-3	315-15362-01	B-8	257-18534-00	B-13	3EE-24240-10	C-7	355-82310-MO	D-5
3EE-F331E-00	C-6	102-11633-02	B-3	583-15371-00	B-7	3EE-18540-00	B-13	3EE-24240-20	C-7	56J-82370-00	D-5
3EE-F3327-00	C-5	3E8-11635-00	B-3	3W3-15411-00	B-8	136-18542-00	B-13	367-24500-04	C-7	3EE-82510-00	D-5
3EE-F3328-00	C-5	3E8-11636-00	B-3	257-15413-00	B-8	164-18561-00	B-13	355-24518-01	C-7	136-82540-00	D-5
3EE-F3340-02	C-6	3R1-11651-01	B-3	164-15415-00	B-8	3EE-21110-00-33	B-15	102-24522-01	C-7	3EE-82590-00	D-5
3EE-F3386-00	C-6	257-11681-00	B-3	257-15417-01	B-11	25K-21521-00	C-2	355-24523-00	C-7	8Y0-82599-00	D-5
3EE-F3418-00	C-6	3EE-13505-00	B-4	378-15421-60	B-8	34V-21622-00	C-2	603-24531-01	C-7	3EE-82910-00	D-4
3EE-F4710-01	C-8	378-13610-61	B-4	257-15433-00	B-4	3E8-21711-00	C-3	122-24532-00	C-7	122-83516-10	C-15
3EE-F5108-00	C-9	314-13613-01	B-4	378-15451-60	B-8	1Y1-21714-00	C-3	122-24610-01	C-7	3EE-83530-00	C-15
3EE-F5304-00	C-10	314-13616-01	B-4	257-15463-00	B-8	3E8-21721-00	C-3	122-24612-01	C-7	3EE-83550-00	C-15
3EE-F5311-00-98	C-10	378-13621-60	B-4	129-15489-10	B-8	1Y1-21724-00	C-3	34M-25104-00	C-9	14T-83912-00	D-4
3EE-F5317-00	C-11	5K2-1410A-00	B-5	156-15618-01	B-9	3EE-21781-00	C-3	34M-25111-00-98	C-9	14T-83922-00	D-4
3EE-F5319-00	C-11	3EE-14101-00	B-5	257-15620-01-91	B-9	3EE-21781-10	C-3	2E9-25116-00	C-9	437-83936-00	D-4
3EE-F5321-00-98	C-10	59L-14104-00	B-5	305-15641-00	B-9	3EE-21781-20	C-3	34M-25121-00-98	C-9	3EE-84510-00	D-3
3EE-F5330-00	C-10	35Y-14106-00	B-5	117-15644-00	B-9	3EE-21782-00	C-3	3L8-2513A-00	C-9	3EE-84514-00	D-3
3EE-F5333-00	C-11	283-14112-25	B-5	257-15651-01	B-9	3EE-21782-10	C-3	34M-25135-00	C-9	10V-84523-00	D-3
3EE-F5351-00	C-11	405-14114-00	B-5	132-15653-00-10	B-9	3EE-21782-20	C-3	2E9-25137-01	C-9	10V-84527-00	D-3
3EE-F5355-00	C-11	395-14121-00	B-5	305-15660-04	B-9	1X6-22110-00-33	C-4	2T4-25137-00	C-9	37E-84721-E1	D-3
3EE-F5371-00	C-10	127-14125-01	B-5	132-15664-01	B-9	180-22117-00	C-4	34M-25138-00	C-9	3G1-85130-01	D-3
3EE-F5372-00	C-10	127-14131-00	B-5	257-15668-00	B-9	102-22123-00	C-4	34M-25155-00	C-9	90101-05488	C-9
3EE-F5373-00	C-11	127-14133-00	B-5	132-15676-01	B-9	40X-22141-00	C-4	34N-25181-00	C-9	90101-08246	C-13
3EE-F5377-00	C-11	363-14137-00	B-5	257-16111-01	B-10	296-22151-01	C-4	17J-25336-00	C-9	90101-08538	B-15
3EE-F5381-00	C-10	3EE-14141-13	B-5	257-16150-03	B-10	260-22311-00-35	C-4	4K5-25351-00	C-9	90101-i0255	C-4
3EE-F5382-00	C-10	260-14142-25	B-5	122-16164-00	B-10	3EE-23110-00	C-6	102-25389-00	C-10	90105-10006	C-6
3EE-F5384-00	C-10	127-14143-11	B-5		B-10	34M-23111-00	C-6	2E9-26241-10	C-12	90109-06001	B-13
3EE-F5437-00-33	C-10	4A5-14145-00	B-5	131-16321-00	B-10	17J-23113-00	C-6	2E9-26242-10	C-12	90109-06343	B-4
3EE-F6111-01	C-12	214-14147-00	B-5	257-16324-00	B-10	3L6-23125-00	C-6	2GN-26243-00	C-12	90109-06565	B-12
3EE-H1915-01	D-5	260-14184-00	B-5	257-16341-00	B-10	34M-23141-00	C-6	3EE-26311-00	C-12	90109-08786	C-10
3EE-H3371-00	D-5	4A5-14185-00	B-5	257-16342-00	B-10	4N0-23151-00	C-6	3EE-26335-00	C-12	90113-06009	B-10
3EE-H3510-00	C-15	260-14190-12	B-5	132-16346-00	B-10	34M-23191-00	C-6	3EE-26341-00	C-12	90116-06026	B-2
1TK-H3513-00	C-15	12R-14191-00	B-5	257-16351-00	B-10	34M-23191-20	C-6	164-26363-00	C-12	90119-05001	B-10
3EE-H3519-02	C-15	5A3-14411-00	B-4	137-16356-00	B-10	34M-23195-00	C-6	207-27111-00	C-13	90119-06046	C-5
1TL-H4114-00	D-2	3E8-14417-00	B-4	257-16357-00	B-10	34M-23318-00	C-5	122-27112-00	C-13	90149-05190	D-4

NUMERICAL INDEX

PART NO.	GRID NO.	PART NO.	GRID NO.	PART NO.	GRID NO.	PART NO.	GRID NO.	PART NO.	GRID NO.	PART NO.	GRID NO.
90149-06175	D- 4	90467-08003	C- 7	92503-06045	B- 8	93109-34057	C- 9	95811-08090	B-15		
90149-06264	C- 2	90468-10050	C-10	92506-06010	C- 5	93210-10096	C- 9	95811-08100	B-15		
90149-08094	B-14	90468-26048	B- 9	92506-06012	C- 2	93220-08002	B- 5	95811-08120	B-15		
90159-04027	C-14	90480-01141	C- 3		C- 5	93306-20005	C- 9	95826-10040	C- 6		
90170-12060	B-10	90480-12012	B- 8		D- 5	93306-20006	C- 9	97001-08014	C- 2		
90170-12175	C-14	90480-13203	B-15	92506-06016	C- 5	93306-201Y1	C-11	97001-08018	C- 8		
90176-10013	C- 4	90501-10245	C-13	92901-04100	C-14	93306-20333	B-12	97011-06025	B- 9		
90179-06176	C-12	90501-10513	C-12		C-14	93306-20458	B- 3	97016-08020	C-10		
	C-13	90501-20122	B-10	92901-05100	B-13	93306-30301	B-12	97021-06020	B-14		
90179-12244	B-10	90506-06095	B- 4	92901-05600	C- 4	93306-30302	B- 3	97313-06016	D- 2		
90179-25051	C- 5	90506-06106	B- 4		C- 4	93310-11268	B- 3	97313-08012	C- 2		
90185-10060	C- 4	90506-07066	B-10	92901-06200	B- 2	93310-418T0	B- 3		C- 2		
90201-061A5	C-10	90506-09009	B-14	92901-06400	D- 2	93410-25017	B- 9	97706-40530	D- 3		
90201-062A8	C- 2	90506-09112	B-13	92901-06600	B- 4	93430-12008	C-13	98501-03008	B- 4		
90201-064L6	C- 9	90506-14081	C- 9		C- 2	93440-32017	B-13	98501-04006	B- 8		
90201-081A6	C- 2	90506-20041	C-13		C-12	93450-13022	B- 3		C-14		
90201-10437	C- 4	90506-29054	C-13		C-13	93450-34064	C- 6	98501-05008	C- 4		
	C- 4	90508-26136	B- 9	92901-08200	C- 8	93501-04011	B-10	98501-05012	B-13		
	C-14	90508-32207	B-14		C-10		C- 5	98501-05020	C- 4		
90201-12535	B-14	90560-10103	C- 9	92901-08600	C- 2	93503-16010	B-10	98501-05030	D- 4		
90201-12575	B- 9	90560-17150	B-10	92901-10100	C- 5	93604-22050	B-13	98506-05012	C- 2		
90201-13202	B-12	91401-12010	B- 5	92901-10200	C- 4	938A1-14174	B-12	98506-05035	D- 4		
90201-17485	B- 9	91401-20015	C-10	92901-12100	C-14	94122-17800	C-10	98511-04020	C-14		
90206-15021	B-10		C-13	92906-05600	C- 2	94222-17800	C-10	98580-04010	E- 4		
90208-12015	B-10	91401-50085	C- 3	92906-06100	C- 5	94322-17837	C-10		C-14		
	C- 6	91609-40016	B-13		C- 5	94414-17369	C- 9	98701-05016	C-14		
90209-10021	C-12	92501-06008	C-12		C- 5		C-10	98903-06012	C- 2		
90249-12008	C-13	92501-06010	D- 5		D- 5	94508-16099	C-10	98906-04025	D- 5		
	B-13		D- 5	92906-08100	C-10	94608-16001	C-10	99001-08600	B-13		
90250-06013	B- 3	92501-06012	B-12	92990-03100	B- 4	94701-00248	B- 2	99001-10600	B-14		
90280-03017	B-10	92501-06014	B- 4	92990-06100	C-10	95303-05600	B- 5	99009-13400	B- 9		
90282-05005	B- 7		B- 7		C-12		C- 7		B-12		
90334-10006	C-12		C- 2		D- 5		C- 9	99009-15400	B- 9		
90338-07124	B- 7	92501-06030	B- 7		D- 5	95303-06600	B- 2	99009-16400	B-12		
90338-26136	B- 7		B- 8	92990-08100	B- 6		C-10	99009-17400	B-12		
90340-12005	D- 5	92501-06040	B- 8		B-15		D- 5	99510-12016	B- 7		
90387-05890	D- 3		B- 8		C- 2	95303-06700	B-10	99530-10014	B- 8		
90387-07391	C- 9	92501-06050	B- 7		C-10	95303-08600	B- 6		B- 8		
90387-10620	B- 4		B- 8		C-13		B-14				
90387-17139	D- 5	92501-06055	B- 7	92990-10600	C- 5	95303-08700	C-10				
90430-11034	B- 7	92501-06060	B- 7	93102-04382	B-10	95303-10600	C- 5				
90430-12038	B- 5	92501-06065	B- 7	93102-12106	B-14	95601-05100	D- 4				
90445-05013	B- 5	92502-16018	B- 5	93102-17187	B-12		D- 4				
90445-05015	C- 7	92503-06018	B- 8	93102-20009	B- 3	95601-10200	C- 9				
90445-09353	B- 7		B- 8	93103-25078	B- 7	95701-04100	D- 5				
90446-07009	C- 6	92503-06045	B- 4	93106-17015	C- 9	95701-05500	D- 3				
90460-31163	C-12		B- 7	93108-15001	B-10	95701-06500	D- 3				
90462-06009	C- 7		B- 8	93109-15001	B- 9	95701-08500	B-15				