



YAMAHA

PARTS LIST

- MODEL **FS1G('76)** FOR W.GERMANY(TYPE468)
- MODEL **FS1G-DX('76)** FOR W.GERMANY(TYPE468)
- MODEL **FS1H('76)** FOR BELGIUM(TYPE1J6)
- MODEL **FS1H-DX('76)** FOR BELGIUM(TYPE1J6)
- MODEL **FS1S('76)** FOR SWEDEN(TYPE381)
- MODEL **FS1S-DX('76)** FOR SWEDEN(TYPE381)
- MODEL **FS1K('76)** FOR DENMARK(TYPE381)

YAMAHA MOTOR CO., LTD.

COPY RIGHT: ALL RIGHTS RESERVED

NO PART OF THIS PUBLICATION MAY BE REPRODUCED WITHOUT PERMISSION.

YAMAHA FS1G('76)/FS1G-DX('76)/FS1H('76)/FS1H-DX('76)/FS1S('76)/FS1S-DX('76)/FS1K('76) PART

YAMAHA MOTOR CO., LTD.

PRINTED IN JAPAN

First edition (1975)

(1K4-3155)

6863 N



against the name of each part. If any two different assemblies (e.g., right and left side components) consist of almost the same type components, these two assemblies are listed in two lines, and then the names of component parts are listed in the subsequent lines with an indentation as mentioned earlier. The quantity of parts is given in the following manner; that is, in the case of parts being the same in type between the right and left, a total quantity of parts is given. On the other hand, if the right and left side parts are different in type, the quantity of part(s) on each side is given.

Example

Description	Qty
CARBURETOR ASS'Y, left	1
CARBURETOR ASS'Y, right	1
. JET, pilot	2
. NOZZLE, main	2

- . LEVER, starter, left
- . LEVER, starter, right

(3) Key to Symbols

- U.R. Use size (thickness) and/or number as required
- U.N. Use as many as you need
- T Number of teeth in a gear
- V Voltage for light bulbs
- S "S" type oil seal or "S" type circlip
- SD "SD" type oil seal
- SO "SO" type oil seal
- SW "SW" type oil seal
- E "E" type circlip
- R "R" type circlip
- F/No. Frame No. (Applicable machine No.)

(4) The parts marked with "X" in your country column are exclusive for your country, therefore, you should place an order only those parts. Meanwhile, the other parts are common for all European countries, and then we do not mention the names of countries.

(5) The parts marked with * in the remark column of this list are not supplied with by Yamaha, those have to be found locally.

(6) Please be advised that we supply you with Head Lamp Unit Ass'y, and Tail Lamp Unit Ass'y without bulbs.

(7) The right and left in relation to parts are determined on the basis of the rider facing toward the front.

(8) This Parts List is based on the model in the production line on Nov., 30, 1975. Accordingly, if any modifications which have been made to parts will be announced in the Yamaha Parts News. It is advisable that according to the Yamaha Parts News, You will make necessary corrections to the Parts List on hand to keep it up-to dated.

CONTENTS

ENGINE	
Fig. 1	Crankcase · Cylinder ······ 1
Fig. 2	Crankcase Cover ······ 3
Fig. 3	Crank · Piston ······ 5
Fig. 4	Clutch ······ 9
Fig. 5	Transmission ······ 11
Fig. 6	Shifter 1 ······ 15
Fig. 7	Shifter 2 ······ 17
Fig. 8	Kick Starter ······ 19
Fig. 9	Intake ······ 21
Fig. 10	Carburetor ······ 23
Fig. 11	Exhaust ······ 27
Fig. 12	Flywheel Magneto ······ 29
CHASSIS	
Fig. 13	Frame · Side Cover ······ 33
Fig. 14	Rear Arm · Rear Cushion · Chain Case ······ 37
Fig. 15	Stand · Footrest · Brake Pedal ······ 41
Fig. 16	Front Fender · Rear Fender ······ 43
Fig. 17	Front Fork (FS1) ······ 45
Fig. 18	Front Fork (FS1-DX) ······ 47
Fig. 19	Steering ······ 49
Fig. 20	Handle · Wire (FS1) ······ 51
Fig. 21	Handle · Wire (FS1-DX) ······ 55
Fig. 22	Master Cylinder · Brake Hose (FS1-DX) ······ 59
Fig. 23	Fuel Tank ······ 61
Fig. 24	Seat ······ 63
Fig. 25	Front Wheel (FS1) ······ 65
Fig. 26	Front Wheel (FS1-DX) ······ 69
Fig. 27	Disk Brake · Caliper (FS1-DX) ······ 73

Fig. 28	Rear Wheel	75
Fig. 29	Head Lamp 1	81
Fig. 30	Head Lamp 2	83
Fig. 31	Speedometer	85
Fig. 32	Tail Lamp	87
Fig. 33	Flasher Lamp 1	89
Fig. 34	Flasher Lamp 2	91
Fig. 35	Flasher Lamp 3	93
Fig. 36	Electrical	95

REPAIR KIT

Fig. 37	Repair Kit	101
---------	------------	-----

NUMERICAL INDEX

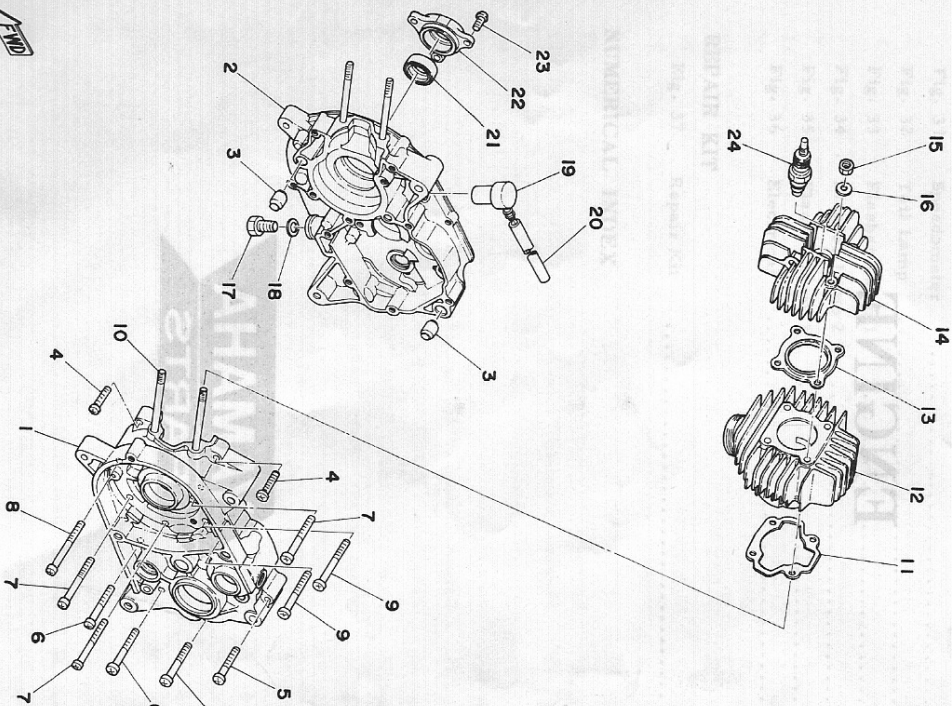
1	1
2	1
3	1
4	1
5	1
6	1
7	1
8	1
9	1
10	1
11	1
12	1
13	1
14	1
15	1
16	1
17	1
18	1
19	1
20	1
21	1
22	1
23	1
24	1
25	1
26	1
27	1
28	1
29	1
30	1
31	1
32	1
33	1
34	1
35	1
36	1
37	1
38	1
39	1
40	1
41	1
42	1
43	1
44	1
45	1
46	1
47	1
48	1
49	1
50	1
51	1
52	1
53	1
54	1
55	1
56	1
57	1
58	1
59	1
60	1
61	1
62	1
63	1
64	1
65	1
66	1
67	1
68	1
69	1
70	1
71	1
72	1
73	1
74	1
75	1
76	1
77	1
78	1
79	1
80	1
81	1
82	1
83	1
84	1
85	1
86	1
87	1
88	1
89	1
90	1
91	1
92	1
93	1
94	1
95	1
96	1
97	1
98	1
99	1
100	1
101	1

РЕПАРТНЫЕ КОМПЛЕКТЫ

ENGINE



Fig. 1 CRANKCASE · CYLINDER

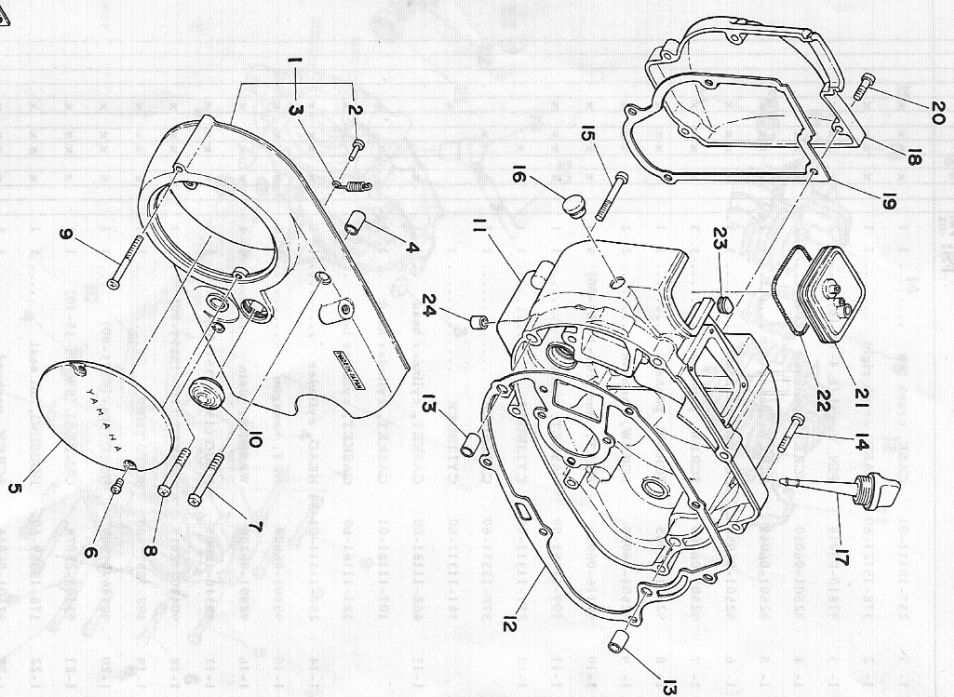


CRANKCASE · CYLINDER

Ref. No.	Parts No.	Description	Qty	Country											Remarks	
				FRANCE	HOLLAND	GERMANY	SWITZERLAND	BEIJING	SWEDEN	FINLAND	DENMARK	NORWAY	AUSTRIA	ENGLAND		ITALY
1-1	257-151111-01	CASE, crank left	1	X	X	X	X	X	X	X	X	X	X	X	X	
1-2	378-15121-60	CASE, crank right	1	X	X	X	X	X	X	X	X	X	X	X	X	
1-3	91810-05016	PIN, dowel (8.4-12-16)	2	X	X	X	X	X	X	X	X	X	X	X	X	
1-4	92501-06030	SCREW, panhead	2	X	X	X	X	X	X	X	X	X	X	X	X	
1-5	92501-06045	SCREW, panhead	1	X	X	X	X	X	X	X	X	X	X	X	X	
1-6	92501-06050	SCREW, panhead	3	X	X	X	X	X	X	X	X	X	X	X	X	
1-7	92501-06060	SCREW, panhead	3	X	X	X	X	X	X	X	X	X	X	X	X	
1-8	92501-06065	SCREW, panhead	1	X	X	X	X	X	X	X	X	X	X	X	X	
1-9	92501-06055	SCREW, panhead	2	X	X	X	X	X	X	X	X	X	X	X	X	
1-10	90116-06026	BOLT, stud (109-11361-00)	4	X	X	X	X	X	X	X	X	X	X	X	X	
1-11	109-11351-00	GASKET, cylinder	1	X	X	X	X	X	X	X	X	X	X	X	X	
1-12	257-11311-00	CYLINDER	1	X	X	X	X	X	X	X	X	X	X	X	X	
	378-11311-60	CYLINDER	1													
	381-11311-60	CYLINDER	1													
1-13	468-11181-00	GASKET, cylinder head	1	X	X	X	X	X	X	X	X	X	X	X	X	
	107-11181-01	GASKET, cylinder head	1													
	381-11181-60	GASKET, cylinder head	1													
1-14	257-111111-01-94	HEAD, cylinder	1	X	X	X	X	X	X	X	X	X	X	X	X	
1-15	95301-06600	NUT, hexagon	4	X	X	X	X	X	X	X	X	X	X	X	X	
1-16	92901-06200	WASHER, plain	4	X	X	X	X	X	X	X	X	X	X	X	X	
1-17	90340-12005	PLUG (132-15351-00)	1	X	X	X	X	X	X	X	X	X	X	X	X	
1-18	90430-12038	GASKET (132-15353-00)	1	X	X	X	X	X	X	X	X	X	X	X	X	
1-19	498-15371-00	BRPATHER	1	X	X	X	X	X	X	X	X	X	X	X	X	
1-20	90446-07009	HOSE (304-15373-00)	1	X	X	X	X	X	X	X	X	X	X	X	X	
1-21	93103-25078	OIL SEAL (SW-25-35-10)	1	X	X	X	X	X	X	X	X	X	X	X	X	
1-22	378-15359-60	HOUSING, oil seal	1	X	X	X	X	X	X	X	X	X	X	X	X	
1-23	92501-06015	SCREW, panhead	3	X	X	X	X	X	X	X	X	X	X	X	X	
1-24	94701-00039	PLUG, spark (B-6HS)	1	X	X	X	X	X	X	X	X	X	X	X	X	

5-200

Fig. 2 CRANKCASE COVER



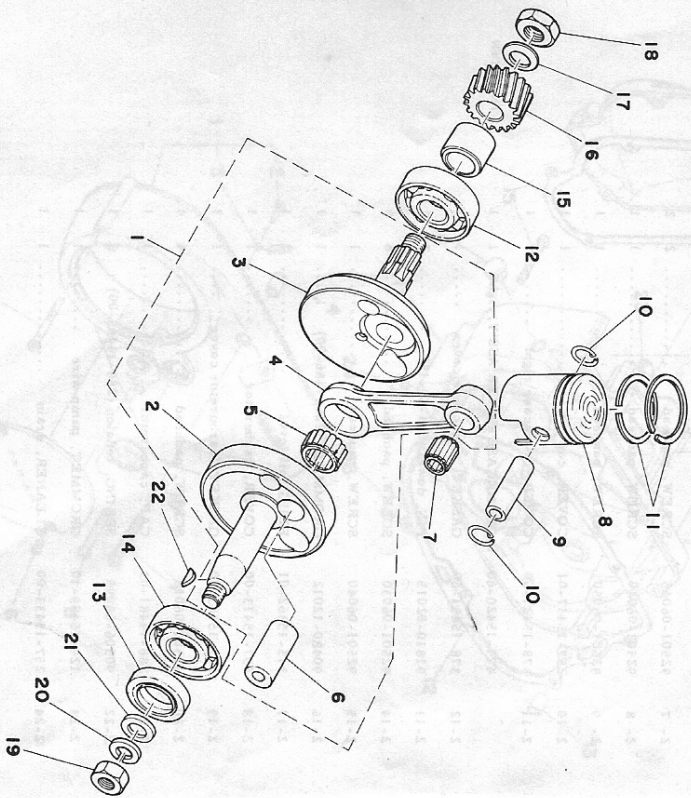
CRANKCASE COVER

Ref. No.	Parts No.	Description	Q'ty	Applicable FSL Machines No.	Remarks
2-1	257-15410-01	CRANKCASE COVER ASS'Y, left	1	1	
2-2	132-16346-00	. HOOK, spring	1	1	
2-3	90506-07066	. SPRING, tension (257-16345-00)	1	1	
2-4	91830-21014	PIN, dowel (6-4-10-14)	2	2	
2-5	164-15415-00	COVER, generator	1	1	
2-6	98501-04006	SCREW, panhead	2	2	
2-7	92501-06045	SCREW, panhead	2	2	
2-8	92501-06040	SCREW, panhead	1	1	
2-9	92501-06050	SCREW, panhead	1	1	
2-10	257-15417-01	COVER, cap	1	1	
2-11	378-15421-60	COVER, crankcase right	1	1	
	471-15420-60	CRANKCASE COVER ASS'Y, right	1	1	
2-12	378-15451-60	GASKET, crankcase cover	1	1	
2-13	91810-02015	PIN, dowel (6-4-10-15)	2	2	
2-14	92501-06030	SCREW, panhead	6	6	
2-15	92501-06040	SCREW, panhead	1	1	
2-16	90480-12012	GROMMET (122-15486-00)	1	1	
2-17	315-15362-01	PLUG, oil level	1	1	
2-18	257-15413-00	COVER, carburetor	1	1	
2-19	257-15463-00	GASKET, carburetor cover	1	1	
2-20	92501-06018	SCREW, panhead	4	4	
2-21	288-14481-01	CAP, carburetor	1	1	
2-22	90506-06095	SPRING, tension (288-14455-00)	1	1	
2-23	129-15489-10	GROMMET, pump wire	1	1	
2-24	257-15433-00	CLEANER, drain	1	1	

For SWEDEN



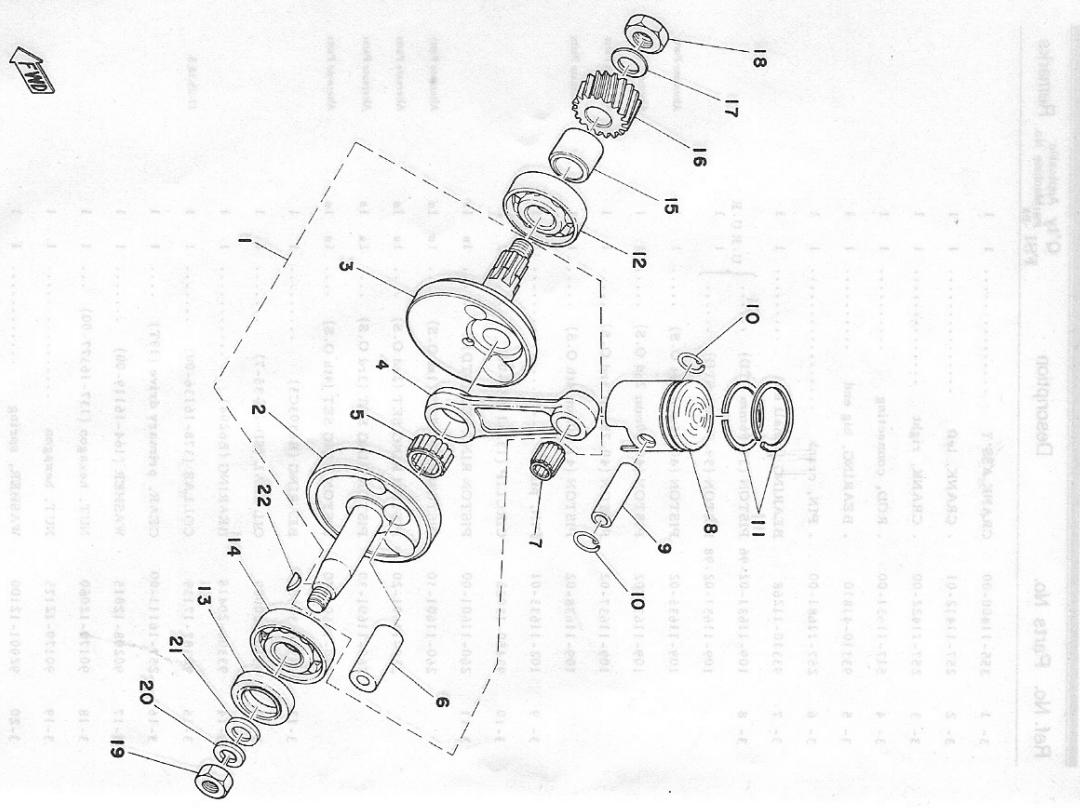
Fig. 3 CRANK · PISTON



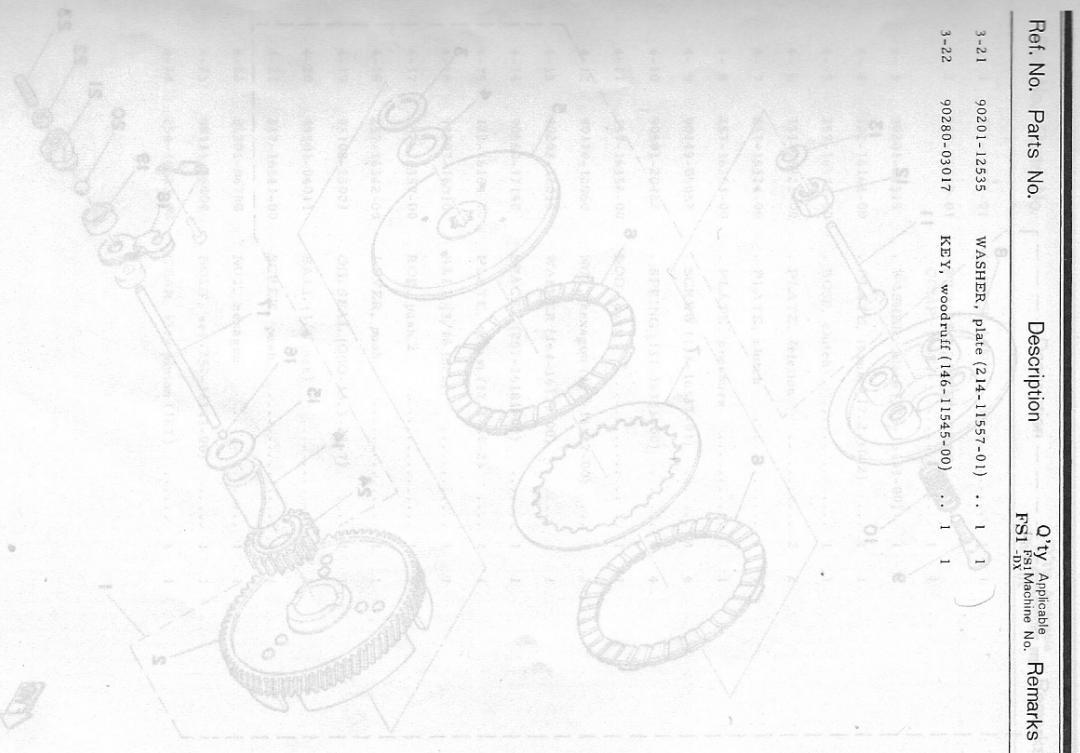
CRANK · PISTON

Ref. No.	Parts No.	Description	Q'ty F51	Remarks
3-1	355-11400-00	CRANK ASS'Y	1	
3-2	257-11412-01	. CRANK, left	1	
3-3	257-11422-00	. CRANK, right	1	
3-4	517-11651-00	. ROD, connecting	1	
3-5	93310-41810	. BEARING, big end	1	
3-6	257-11681-00	. PIN, crank	1	
3-7	93310-11268	BEARING, small end	1	
3-8	109-11631-02-96	PISTON (39, 96mm STD)	1	U.R.U.R
	109-11631-02-98	PISTON (39, 98mm STD)	1	
	109-11635-02	PISTON (40, 25mm 1st O.S)	1	Alternate Part
	109-11636-02	PISTON (40, 50mm 2nd O.S)	1	Alternate Part
	109-11637-02	PISTON (40, 75mm 3rd O.S)	1	Alternate Part
	109-11638-02	PISTON (41, 00mm 4th O.S)	1	Alternate Part
3-9	102-11633-01	PIN, piston	1	
3-10	93450-13022	CIRCLIP (132-11634-00)	2	
3-11	260-11601-00	PISTON RING SET (STD)	1s	Alternate Parts
	260-11601-10	PISTON RING SET (1st O.S)	1s	Alternate Parts
	260-11601-20	PISTON RING SET (2nd O.S)	1s	Alternate Parts
	260-11601-30	PISTON RING SET (3rd O.S)	1s	Alternate Parts
	260-11601-40	PISTON RING SET (4th O.S)	1s	Alternate Parts
3-12	93306-30302	BEARING (B6303C3)	1	
3-13	93102-20009	OIL SEAL (SD-20-35-7)	1	
3-14	93306-20418	BEARING (B6204)	1	
3-15	90387-17139	COLLAR (378-16136-00)	1	17-25-18.5
3-16	257-16111-00	GEAR, primary drive (19T)	1	
3-17	90208-12015	WASHER (164-16119-00)	1	
3-18	90170-12060	NUT, hexagon (137-16377-00)	1	
3-19	90170-12175	NUT, hexagon	1	
3-20	92901-12100	WASHER, spring	1	

Fig. 3 CRANK · PISTON



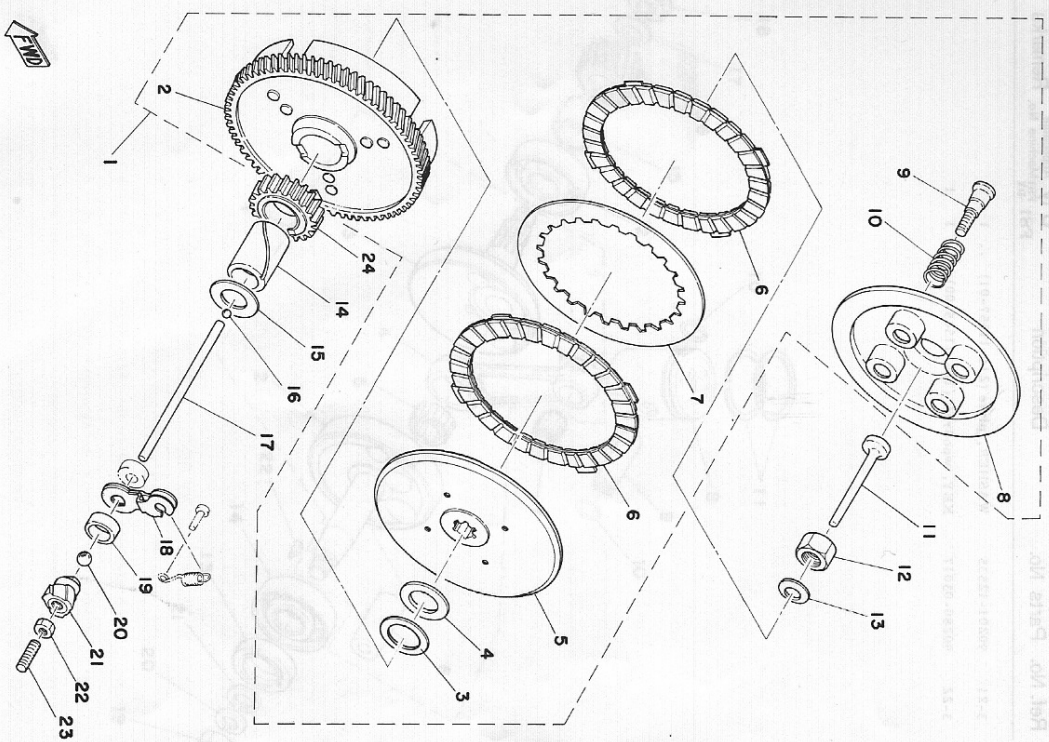
CRANK · PISTON



Ref. No.	Parts No.	Description	Q'ty. Applicable FS1 FS1 Machine No.	Remarks
----------	-----------	-------------	---	---------

3-21	90201-12535	WASHER, plate (214-11557-01)	1	
3-22	90280-03017	KEY, woodruff (146-11545-00)	1	

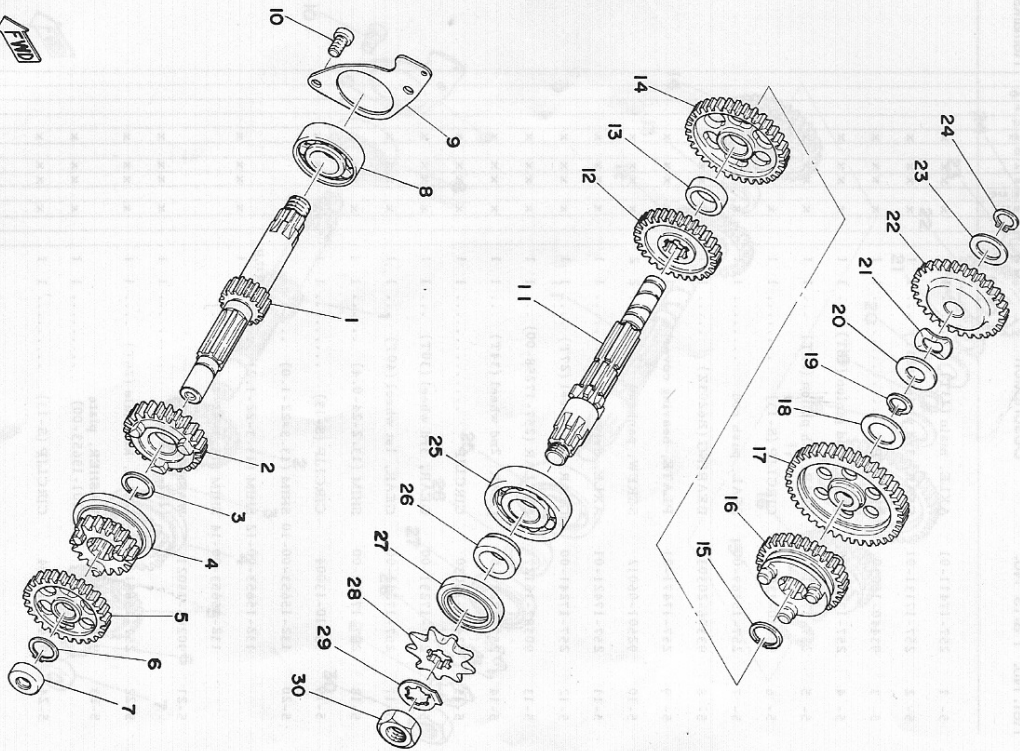
Fig. 4 CLUTCH



CLUTCH

Ref. No.	Parts No.	Description	Q'ty	Applicable Machine No.	Remarks
4-1	257-16301-01	CLUTCH ASS'Y	1		
4-2	257-16150-01	PRIMARY DRIVEN GEAR COMP. (7&T)	1		
4-3	90201-23315	WASHER, plate (116-16153-00)	1		
4-4	122-16164-00	PLATE, thrust (17-2-30-2)	1		
4-5	257-16371-00	BOSS, clutch	1		
4-6	131-16321-00	PLATE, friction	2		
4-7	257-16324-00	PLATE, clutch	1		
4-8	257-16351-00	PLATE, pressure	1		
4-9	90149-05057	SCREW (137-16357-01)	4		
4-10	90501-20122	SPRING (137-16333-00)	4		
4-11	137-16356-00	ROD, push 1	1		
4-12	90170-12060	NUT, hexagon (137-16377-00)	1		
4-13	90208-12015	WASHER (164-16119-00)	1		
4-14	90560-17150	SPACER (257-16181-01)	1		
4-15	122-16164-00	PLATE, thrust (17-2-30-2)	1		
4-16	93503-16010	BALL (3/16 inch)	1		
4-17	257-16357-00	ROD, push 2	1		
4-18	257-16342-00	LEVER, push	1		
4-19	93108-15901	OIL SEAL (OSO-15-3-22-7)	1		
4-20	93501-04011	BALL (1/4 inch)	1		
4-21	257-16341-00	SCREW, push	1		
4-22	93301-06700	NUT, hexagon	1		
4-23	90113-06009	BOLT, set (257-16343-00)	1		
4-24	254-15631-00	GEAR, kick pinion (18T)	1		

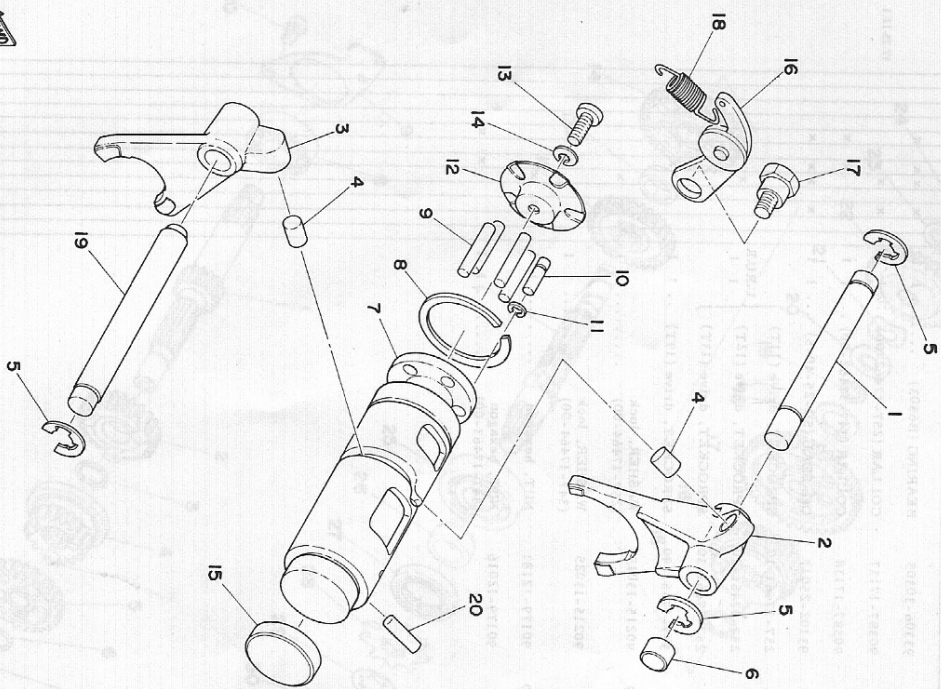
Fig. 5 TRANSMISSION



TRANSMISSION

Ref. No.	Parts No.	Description	Qty		FRANCE	HOLLAND	W. GERMANY	SWITZERLAND	BELGIUM	SWEDEN	FINLAND	DENMARK	KOREA	AUSTRIA	ENGLAND	ITALY	Remarks	
			FS1	FS1-DX														
5-25	93306-30305	BEARING (B6303)	1														
5-26	90387-17137	COLLAR (257-17462-00)	...	1														17-25-11.1
	90387-17138	COLLAR (347-17462-00)	...	1														
5-27	93102-25017	OIL SEAL (SD-25-40-5)	...	1														
5-28	257-17461-10	SPROCKET, drive (11T)		1														
	257-17461-20	SPROCKET, drive (12T)		1														
	257-17461-30	SPROCKET, drive (13T)		1														
5-29	347-17451-90	SPROCKET, drive (19T)	..	1														
	90215-13019	WASHER, lock (257-17464-00)	1														
	90215-13025	WASHER, lock (347-17464-00)	1														
5-30	90179-12181	NUT, hexagon	1														
	90179-12016	NUT, hexagon (347-17463-00)	1														

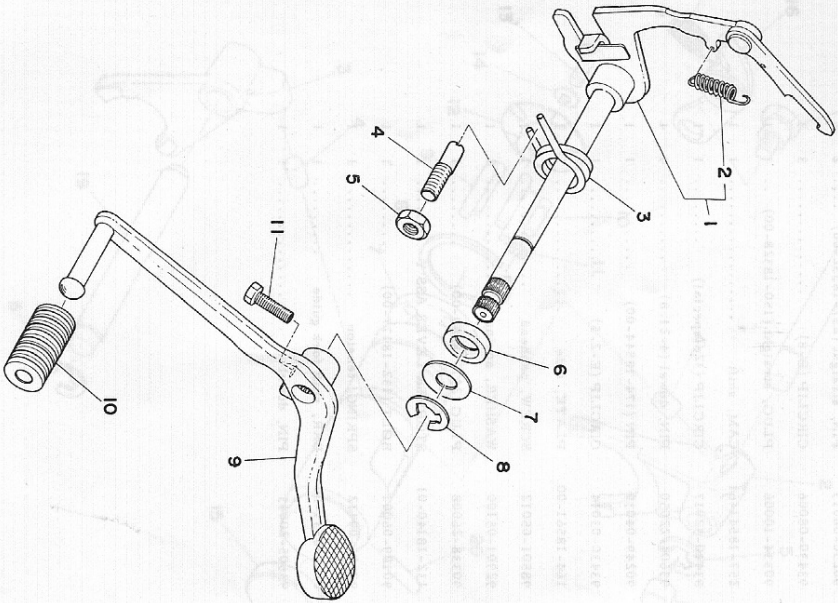
Fig. 6 SHIFTER 1



SHIFTER 1

Ref. No.	Parts No.	Description	Q'ty	Applicable FstlMachine No.	Remarks
6-1	257-18534-00	BAR, shift fork guide	1		
6-2	259-18511-01	FORK, shift 1	1		
6-3	257-18512-01	FORK, shift 2	1		
6-4	90250-06013	PIN, straight (257-18552-00)	2		
6-5	93430-08006	CIRCLIP (E-8)	3		
6-6	90334-10006	PLUG, straight (150-18328-00)	1		
6-7	257-18541-61	CAM, shift	1		
6-8	93440-32017	CIRCLIP (324 special)	1		
6-9	93604-22050	PIN, dowel (4-21.8)	4		
6-10	90249-04039	PIN (174-18544-00)	1		
6-11	93430-03014	CIRCLIP (E-2.5)	1		
6-12	164-18561-00	PLATE, shoe	1		
6-13	98501-05012	SCREW, panhead	1		
6-14	92901-05100	WASHER, spring	1		
6-15	90338-26008	PLUG (257-18589-00)	1		
6-16	132-18140-01	STOPPER LEVER ASS'Y	1		
6-17	90109-06001	BOLT (132-18177-00)	1		
6-18	90506-09112	SPRING, tension	1		
6-19	257-18531-00	BAR, shift fork guide	1		
6-20	93605-20043	PIN, dowel	1		

Fig. 7 SHIFTER 2

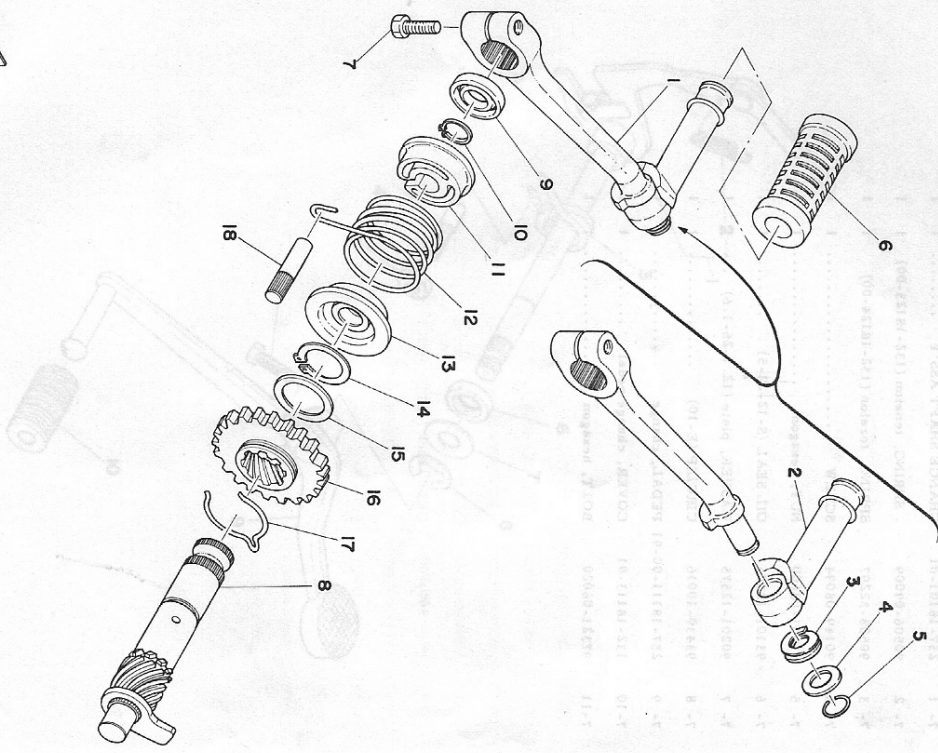


SHIFTER 2 8 3/17

Ref. No.	Parts No.	Description	Q'ty. Applicable PS1 dx	Remarks
7-1	257-18101-01	CHANGE SHAFT ASS'Y	1	1
7-2	90506-09009	SPRING, tension (132-18123-00)	1	1
7-3	90508-32207	SPRING, torsion (132-18124-00)	1	1
7-4	90149-08094	SCREW	1	1
7-5	95301-08600	NUT, hexagon	1	1
7-6	93101-12004	OIL SEAL (S-12-22-5)	1	1
7-7	90201-12575	WASHER, plate (12-1-26-1-6)	1	1
7-8	93430-10016	CIRCLIP (E-10)	1	1
7-9	257-18111-00-91	PEDAL, change	1	1
7-10	132-18113-01	COVER, change pedal	1	1
7-11	97321-06020	BOLT, hexagon	1	1



Fig. 8 KICK STARTER



KICK STARTER

Ref. No.	Parts No.	Description	Qty	Applicable FS1 Machine No.	Remarks
H-1	257-15610-02-91	KICK CRANK ASS'Y	1		
H-2	122-15612-02	LEVER, kick	1		
H-3	90504-18005	SPRING, compression (132-15625-01)	1		
H-4	90209-10108	WASHER (132-15616-01)	1		
H-5	93440-10028	CIRCLIP (132-15617-00)	1		
H-6	156-15618-01	COVER, kick lever	1		
H-7	97311-06025	BOLT, hexagon	1		
H-8	305-15660-02	KICK AXLE ASS'Y	1		
H-9	93109-15001	OIL SEAL (SDO-15-26-6)	1		
H-10	93410-15005	CIRCLIP (S-15)	1		
H-11	132-15676-00	COVER, kick spring	1		
H-12	90508-26136	SPRING, torsion (304-15665-00)	1		
H-13	132-15664-00	GUIDE, kick spring	1		
H-14	93410-25017	CIRCLIP (S-25)	1		
H-15	117-15644-00	SHIM (25-1-32-1)	1		
H-16	305-15641-00	GEAR, kick (26T)	1		
H-17	90468-26048	CLIP (315-15687-00)	1		
H-18	257-15668-00	STOPPER, kick spring	1		

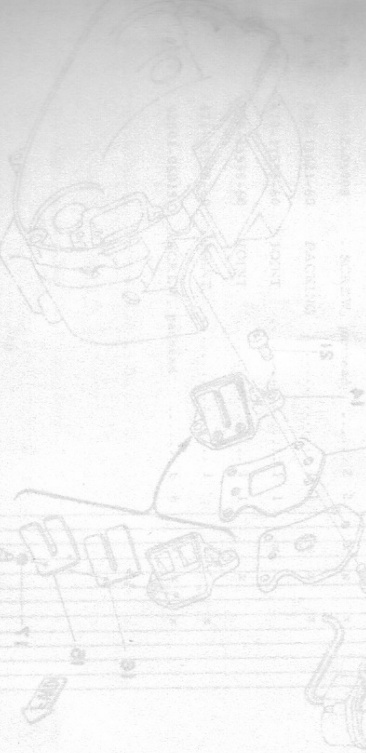
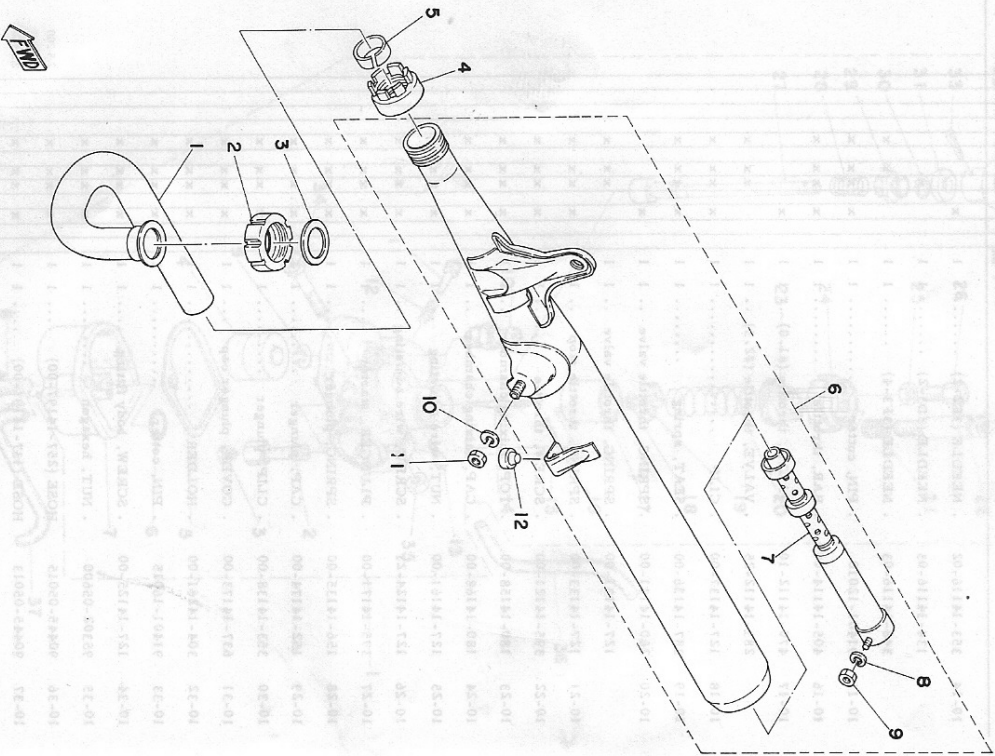


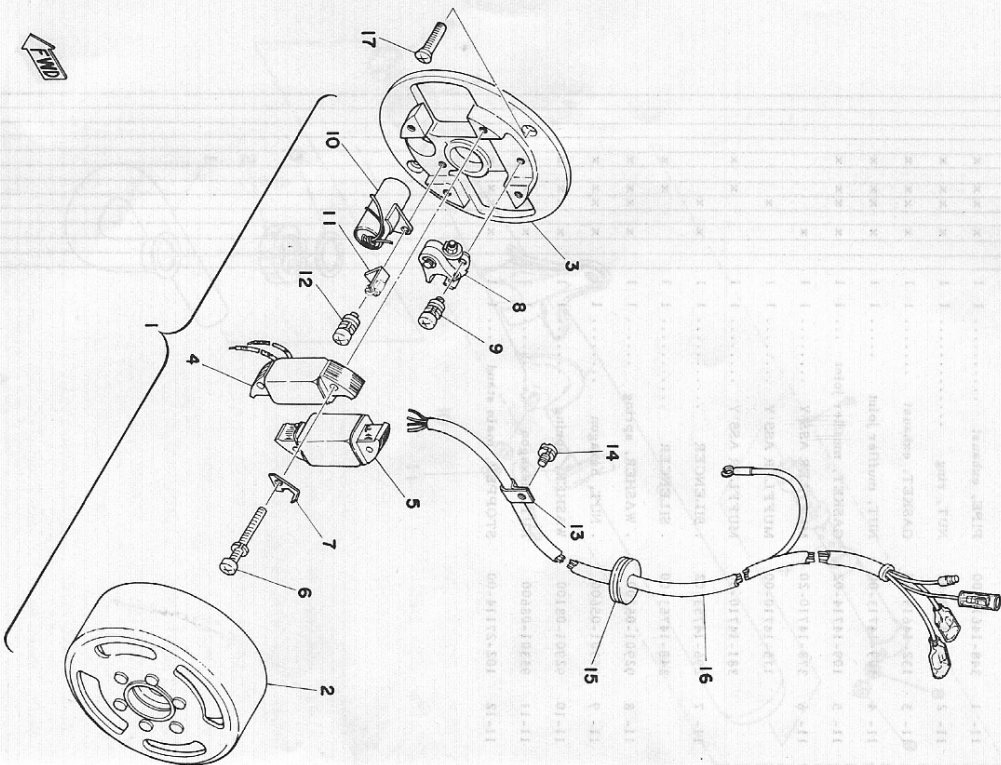
Fig. 11 EXHAUST



EXHAUST

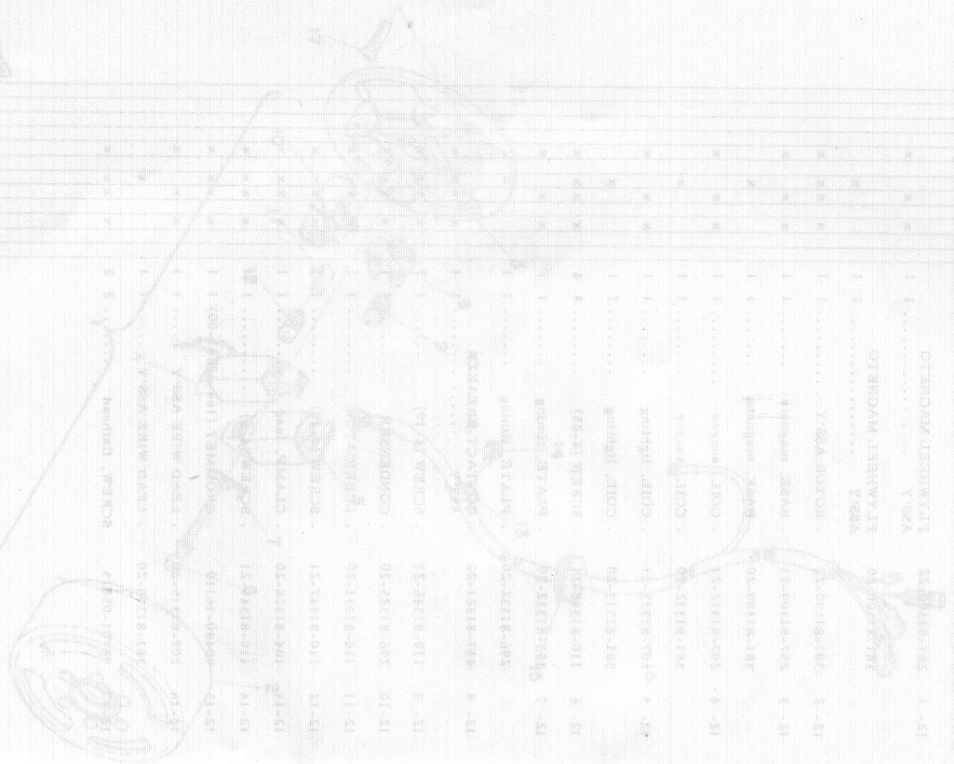
Part No.	Parts No.	Description	Qty		Remarks											
			PSI	DX	FRANCE	HOLLAND	W. GERMANY	SWITZERLAND	BELGIUM	SWEDEN	FINLAND	DENMARK	NEW ZEALAND	AUSTRIA	ENGLAND	ITALY
11-1	348-14611-00	PIPE, exhaust	1	1		X	X	X	X							
11-2	122-14612-02	NUT, ring	1	1		X	X	X	X							
11-3	132-14613-00	GASKET, exhaust	1	1		X	X	X	X							
11-4	109-14713-00	NUT, muffler joint	1	1		X	X	X	X							
11-5	109-14714-02	GASKET, muffler joint	1	1		X	X	X	X							
11-6	378-14710-20	MUFFLER ASSY	1	1		X										
	115-14710-00	MUFFLER ASSY	1	1		X										
	381-14710-00	MUFFLER ASSY	1	1		X										
11-7	296-14753-02	SILENCER	1	1		X										
	348-14753-00	SILENCER	1	1		X										
11-8	92901-05100	WASHER, spring	1	1		X	X	X	X							
11-9	95301-05600	NUT, hexagon	1	1		X	X	X	X							
11-10	92901-08100	WASHER, spring	1	1		X	X	X	X							
11-11	99301-08600	NUT, hexagon	1	1		X	X	X	X							
11-12	102-27114-00	STOPPER, main stand	1	1		X	X	X	X							

Fig. 12 FLYWHEEL MAGNETO



FLYWHEEL MAGNETO

Ref. No.	Parts No.	Description	Qty		Remarks
			FSI	FSI-DM	
12-1	257-81300-22	FLYWHEEL MAGNETO ASS'Y	1	1	
	381-81300-20	FLYWHEEL MAGNETO ASS'Y	1	1	
12-2	381-81350-22	ROTOR ASS'Y	1	1	
12-3	257-81309-21	BASE, magneto	1	1	
	381-81309-20	BASE, magneto	1	1	
12-4	207-81312-21	COIL, source	1	1	
	381-81312-20	COIL, source	1	1	
12-5	207-81313-21	COIL, lighting	1	1	
	381-81313-20	COIL, lighting	1	1	
12-6	110-81348-21	SCREW (4-25)	4	4	
12-7	353-81332-20	PLATE, timing	1	1	
	296-81332-20	PLATE, timing	1	1	
12-8	437-81321-20	CONTACT BREAKER ASS'Y	1	1	
12-9	110-81346-21	SCREW (4-10)	1	1	
12-10	296-81325-20	CONDENSER	1	1	
12-11	116-81331-20	LUBRICATOR	1	1	
12-12	110-81347-21	SCREW (4-10)	1	1	
12-13	104-81328-20	CLAMP, lead	1	1	
12-14	110-81345-21	SCREW (4-6)	1	1	
12-15	90480-16110	GROMMET (164-82597-00)	1	1	
12-16	207-81315-20	LEAD WIRE ASS'Y	1	1	
	381-81315-20	LEAD WIRE ASS'Y	1	1	
12-17	98701-05015	SCREW, flathead	2	2	

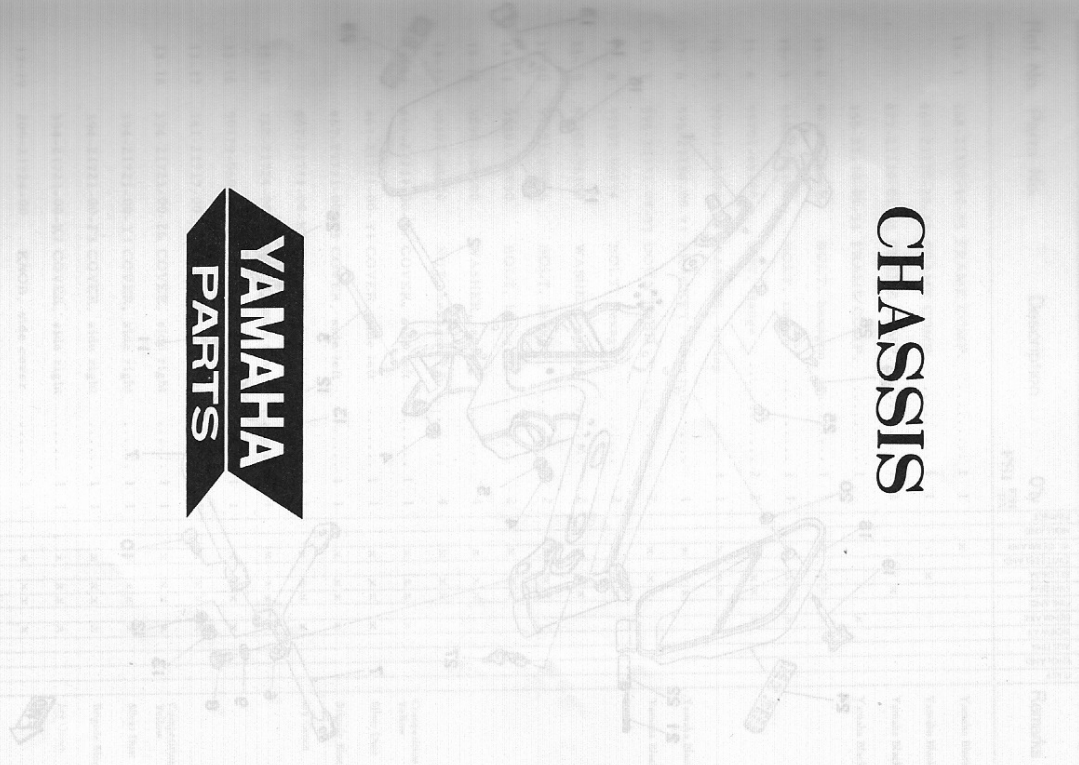


Part No.	Part Name	Description	Quantity
15-11	SCREW	SCREW	1
15-10	SCREW	SCREW	1
15-9	SCREW	SCREW	1
15-8	SCREW	SCREW	1
15-7	SCREW	SCREW	1
15-6	SCREW	SCREW	1
15-5	SCREW	SCREW	1
15-4	SCREW	SCREW	1
15-3	SCREW	SCREW	1
15-2	SCREW	SCREW	1
15-1	SCREW	SCREW	1

YAMAHA MOTOR CO., LTD.

YAMAHA
PARTS

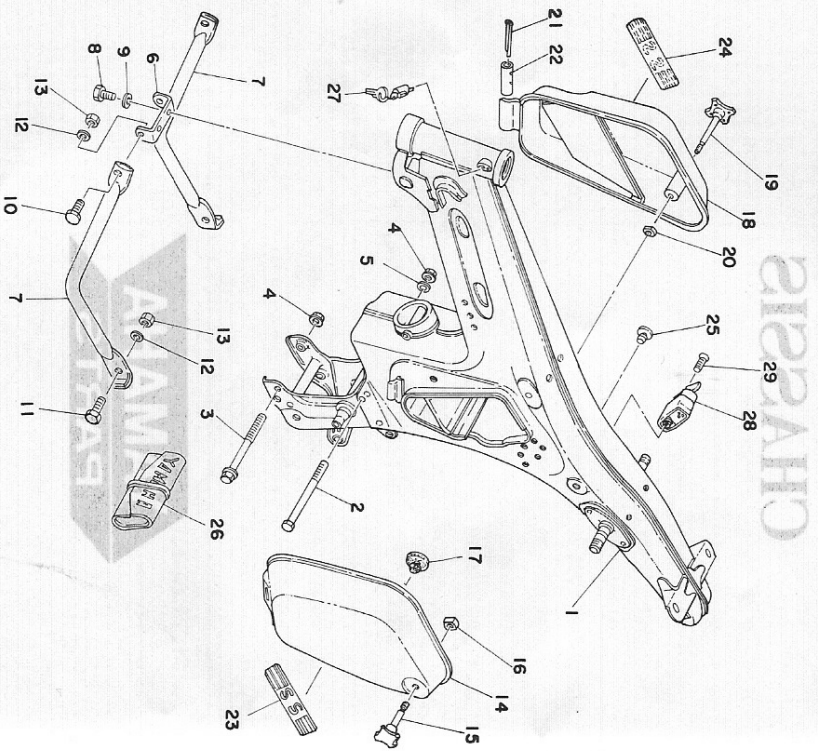
CHASSIS



YAMAHA MOTOR CO., LTD.

Part No.	Part Name	Description	Quantity
15-1	SCREW	SCREW	1
15-2	SCREW	SCREW	1
15-3	SCREW	SCREW	1
15-4	SCREW	SCREW	1
15-5	SCREW	SCREW	1
15-6	SCREW	SCREW	1
15-7	SCREW	SCREW	1
15-8	SCREW	SCREW	1
15-9	SCREW	SCREW	1
15-10	SCREW	SCREW	1
15-11	SCREW	SCREW	1

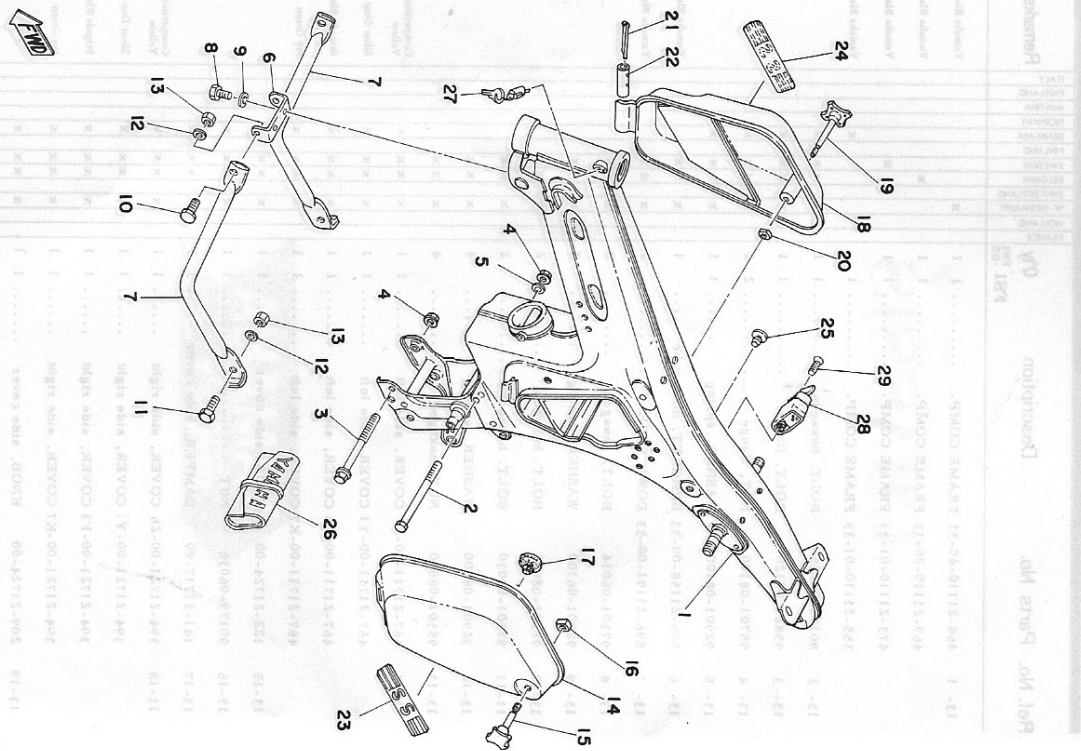
Fig. 13 FRAME · SIDE COVER



FRAME · SIDE COVER

Ref. No.	Parts No.	Description	Qty		Country												Remarks	
			FS1	FS1 501	FRANCE	HOLLAND	W. GERMANY	SWITZERLAND	BELGIUM	SWEDEN	FINLAND	DENMARK	NORWAY	AUSTRIA	ENGLAND	ITALY		
13-1	468-21110-40-33	FRAME COMP.	1	1		X												Yamaha Black
	469-21110-20-33	FRAME COMP.	1	1			X											Yamaha Black
	473-21110-01-33	FRAME COMP.	1	1				X										Yamaha Black
	355-21110-01-33	FRAME COMP.	1	1					X									Yamaha Black
13-2	90101-08285	BOLT, hexagon	1	1		X	X											Yamaha Black
13-3	95821-08120	BOLT, flange	1	1		X	X	X										Yamaha Black
13-4	95701-08100	NUT, flange	2	2		X	X	X										Yamaha Black
13-5	92901-08100	WASHER, spring	1	1		X	X	X										Yamaha Black
13-6	596-21158-00-33	BRACKET, down tube	1	1		X	X	X										Yamaha Black
13-7	596-21191-00-33	DOWN TUBE	2	2		X	X	X										Yamaha Black
13-8	97301-06014	BOLT, hexagon	2	2		X	X	X										Yamaha Black
13-9	92901-06100	WASHER, spring	2	2		X	X	X										Yamaha Black
13-10	97301-08015	BOLT, hexagon	2	2		X	X	X										Yamaha Black
13-11	97301-08030	BOLT, hexagon	2	2		X	X	X										Yamaha Black
13-12	92901-08100	WASHER, spring	4	4		X	X	X										Yamaha Black
13-13	95301-08600	NUT, hexagon	4	4		X	X	X										Yamaha Black
13-14	467-21711-00-26	COVER, side left	1	1		X	X	X										Competition Yellow
	467-21711-00-Y1	COVER, side left	1	1		X	X	X										Silver Dust
	467-21711-00-E3	COVER, side left	1	1		X	X	X										Brigade Blue
	467-21711-00-K7	COVER, side left	1	1		X	X	X										Ivy Green
13-15	122-21724-00	KNOB, side cover	1	1		X	X	X										Competition Yellow
	90179-06036	NUT	1	1		X	X	X										Silver Dust
13-16	141-21717-00	DAMPER, side cover	3	3		X	X	X										Competition Yellow
	394-21721-00-26	COVER, side right	1	1		X	X	X										Silver Dust
	394-21721-00-Y1	COVER, side right	1	1		X	X	X										Brigade Blue
	394-21721-00-E3	COVER, side right	1	1		X	X	X										Ivy Green
	394-21721-00-K7	COVER, side right	1	1		X	X	X										Competition Yellow
13-19	209-21724-00	KNOB, side cover	1	1		X	X	X										Silver Dust

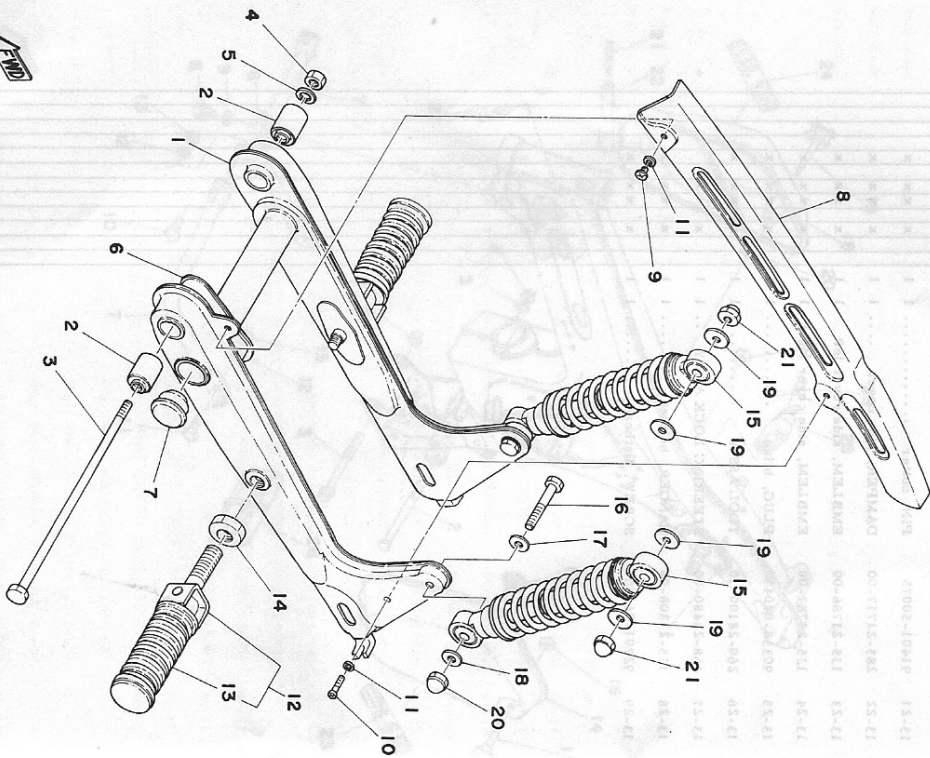
Fig. 13 FRAME · SIDE COVER



FRAME · SIDE COVER

Part No.	Parts No.	Description	Qty		FRANCE	HOLLAND	W. GERMANY	SWITZERLAND	BELGIUM	SWEDEN	FINLAND	DENMARK	NORWAY	AUSTRIA	ENGLAND	ITALY	Remarks
			FS1	FS1													
13-20	90179-06036	NUT (136-21713-00)	1	1		X			X	X	X	X	X	X	X		
13-21	91401-50075	PIN, cotter	1	1		X			X	X	X	X	X	X	X		
13-22	283-21717-00	DAMPER, side cover	1	1		X			X	X	X	X	X	X	X		
13-23	135-21786-00	EMBLEM, side cover left	1	1		X			X	X	X	X	X	X	X		
13-24	135-21787-00	EMBLEM, side cover right	1	1		X			X	X	X	X	X	X	X		
13-25	90338-07043	PLUG, blind	1	1		X			X	X	X	X	X	X	X		
13-26	260-28100-10	TOOL ASS'Y	1	1		X			X	X	X	X	X	X	X		
13-27	468-23480-00	STEERING LOCK ASS'Y	1	1		X			X	X	X	X	X	X	X		
13-28	135-21308-00	HANDLER, helmet	1	1		X			X	X	X	X	X	X	X		
13-29	92701-06030	SCREW, flathead	1	1		X			X	X	X	X	X	X	X		

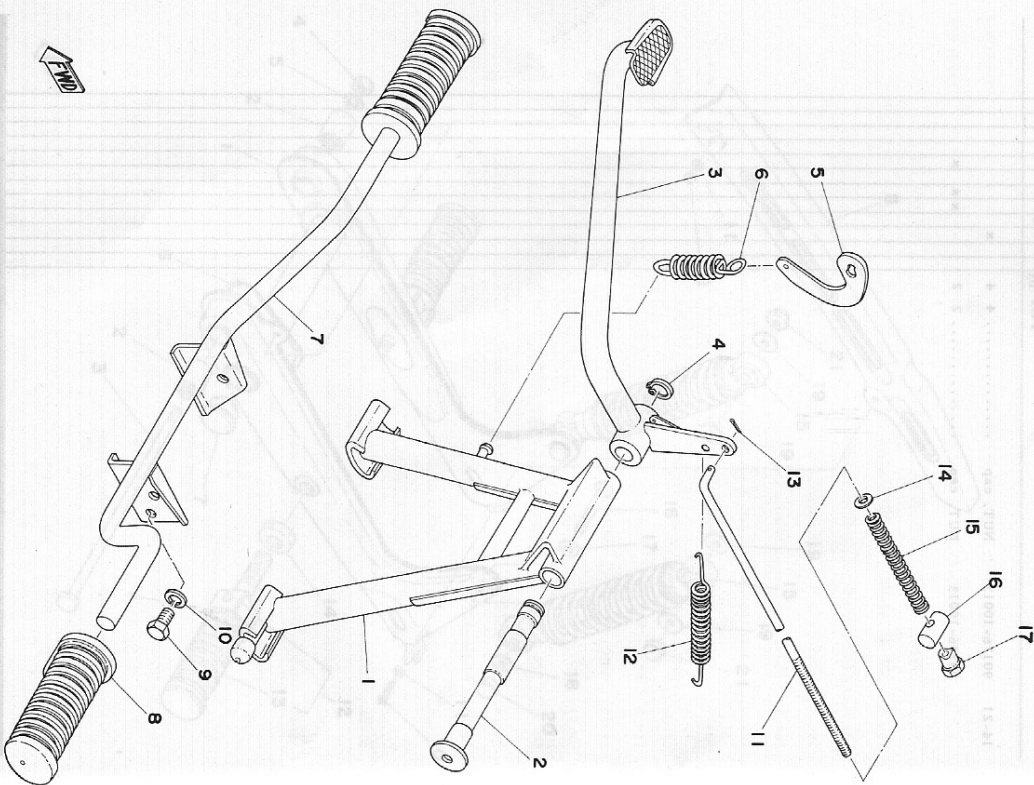
Fig. 14 REAR ARM · REAR CUSHION · CHAIN CASE



REAR ARM · REAR CUSHION · CHAIN CASE

Part No.	Parts No.	Description	Qty		Remarks												
			FS1	FS1	FRANCE	HOLLAND	W. GERMANY	SWITZERLAND	BELGIUM	SPAIN	FINLAND	DENMARK	NORWAY	AUSTRIA	ENGLAND	ITALY	
14-1	474-22110-00-33	REAR ARM COMP.	1	1	X												Yamaha Black
	116-22110-00-33	REAR ARM COMP.	1	1		X	X	X	X	X	X	X	X	X	X	X	Yamaha Black
14-2	102-22123-00	BUSHING, rear arm	2	2	X	X	X	X	X	X	X	X	X	X	X	X	
14-3	109-22141-00	SHAFT, pivot	1	1	X	X	X	X	X	X	X	X	X	X	X	X	
14-4	93501-10600	NUT, hexagon	1	1	X	X	X	X	X	X	X	X	X	X	X	X	
14-5	92901-10100	WASHER, spring	1	1	X	X	X	X	X	X	X	X	X	X	X	X	
14-6	122-22151-00	SEAL, guard	1	1	X	X	X	X	X	X	X	X	X	X	X	X	
14-7	180-22117-00	CAP, rear arm	1	1	X	X	X	X	X	X	X	X	X	X	X	X	
14-8	468-22311-40-35	CHAIN CASE, half	1	1	X												Silver
	260-22311-00-35	CHAIN CASE, half	1	1	X	X	X	X	X	X	X	X	X	X	X	X	Silver
14-9	98501-05008	SCREW, panhead	1	1	X	X	X	X	X	X	X	X	X	X	X	X	
14-10	98501-05020	SCREW, panhead	1	1	X	X	X	X	X	X	X	X	X	X	X	X	
14-11	92901-05100	WASHER, spring	2	2	X	X	X	X	X	X	X	X	X	X	X	X	
14-12	120-27430-02	REAR FOOTREST ASSY	2	2	X	X	X	X	X	X	X	X	X	X	X	X	
14-13	120-27433-00	COVER, rear footrest	2	2	X	X	X	X	X	X	X	X	X	X	X	X	
14-14	93501-12700	NUT, hexagon	2	2	X	X	X	X	X	X	X	X	X	X	X	X	
14-15	468-22210-20	REAR CUSHION ASSY	2	2	X												
	596-22210-20	REAR CUSHION ASSY	2	2	X	X	X	X	X	X	X	X	X	X	X	X	
14-16	90101-10255	BOLT, hexagon	2	2	X												
	90101-12090	BOLT (220-22242-00)	2	2	X	X	X	X	X	X	X	X	X	X	X	X	
14-17	92901-10200	WASHER, plain	2	2	X												
	90201-12175	WASHER, plate (122-22244-00)	2	2	X	X	X	X	X	X	X	X	X	X	X	X	
14-18	90201-12190	WASHER, plate (122-22243-00)	2	2	X	X	X	X	X	X	X	X	X	X	X	X	
14-19	90201-10140	WASHER, plate (102-22243-00)	6	6	X												
	90201-10140	WASHER, plate (102-22243-00)	4	4	X	X	X	X	X	X	X	X	X	X	X	X	
14-20	93304-12800	NUT, crown	2	2	X	X	X	X	X	X	X	X	X	X	X	X	

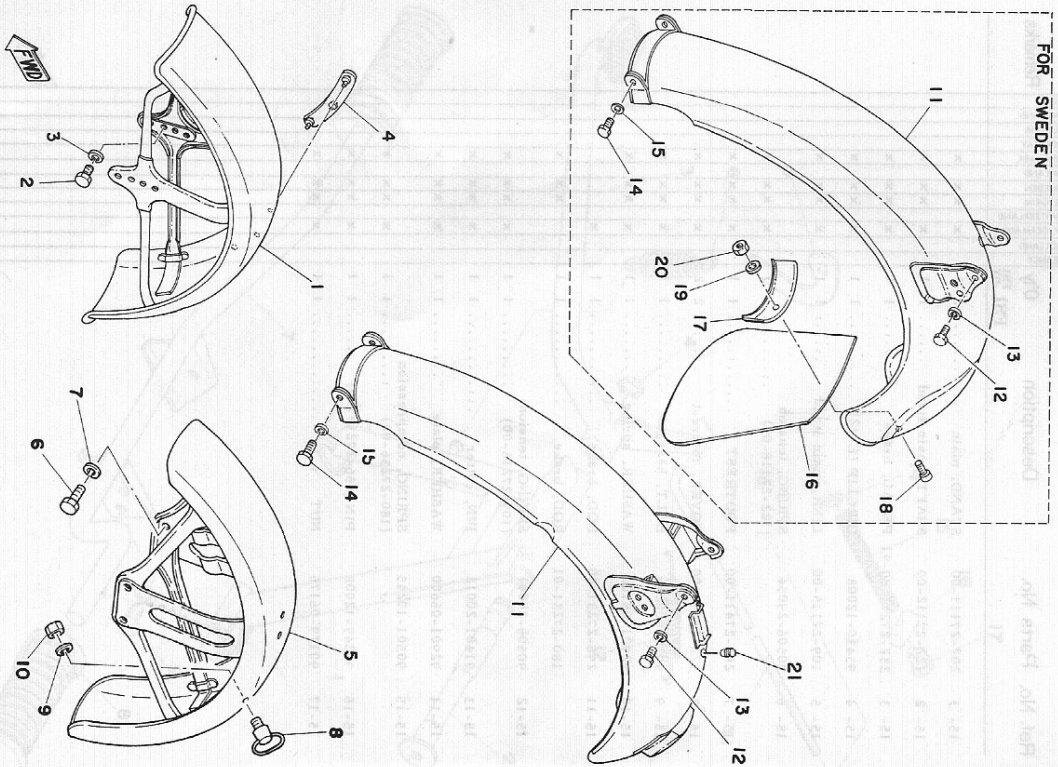
Fig. 15 STAND · FOOTREST · BRAKE PEDAL



STAND · FOOTREST · BRAKE PEDAL

Ref. No.	Parts No.	Description	Qty													Remarks		
			FS1	FS1	FS1	FRANCE	HOLLAND	W. GERMANY	SWITZERLAND	IRELAND	SCOTLAND	SWEDEN	FINLAND	DENMARK	NORWAY		AUSTRIA	ENGLAND
18-1	207-27111-00	STAND, main	1	1	1		X	X	X	X	X	X	X	X	X	X	X	
18-2	122-27112-00	SHAFT, main stand	1	1	1		X	X	X	X	X	X	X	X	X	X	X	
18-3	257-27211-00-91	PEDAL, brake	1	1	1		X	X	X	X	X	X	X	X	X	X	X	
18-4	93430-12008	CIRCLIP (E-12)	1	1	1		X	X	X	X	X	X	X	X	X	X	X	
18-5	109-27115-00	LINK, main stand	1	1	1		X	X	X	X	X	X	X	X	X	X	X	
18-6	90506-29054	SPRING, tension (122-27116-00)	1	1	1		X	X	X	X	X	X	X	X	X	X	X	
18-7	260-27411-00	FOOTREST	1	1	1		X	X	X	X	X	X	X	X	X	X	X	
18-8	122-27413-00	COVER, footrest	2	2	2		X	X	X	X	X	X	X	X	X	X	X	
18-9	90101-08246	BOLT, hexagon	1	1	1		X	X	X	X	X	X	X	X	X	X	X	
18-10	92901-08100	WASHER, spring	1	1	1		X	X	X	X	X	X	X	X	X	X	X	
18-11	296-27231-00	ROD, brake	1	1	1		X	X	X	X	X	X	X	X	X	X	X	
18-11	180-27231-01	ROD, brake	1	1	1		X	X	X	X	X	X	X	X	X	X	X	
18-12	90506-20041	SPRING, tension (109-27216-00)	1	1	1		X	X	X	X	X	X	X	X	X	X	X	
18-13	91401-20012	PIN, cotter	1	1	1		X	X	X	X	X	X	X	X	X	X	X	
18-14	92901-06600	WASHER, plate	1	1	1		X	X	X	X	X	X	X	X	X	X	X	
18-15	90501-10245	SPRING, compression (180-27236-00)	1	1	1		X	X	X	X	X	X	X	X	X	X	X	
18-16	90249-12008	PIN (156-27237-00)	1	1	1		X	X	X	X	X	X	X	X	X	X	X	
18-17	90179-06176	NUT	1	1	1		X	X	X	X	X	X	X	X	X	X	X	

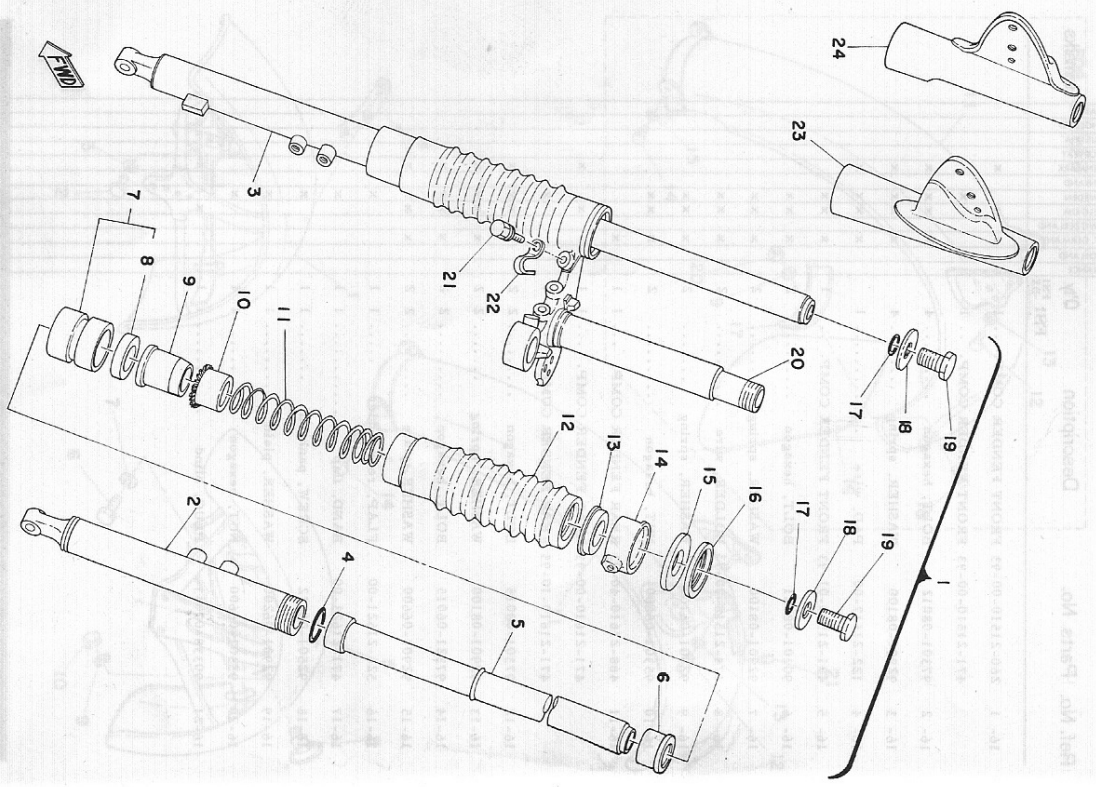
Fig. 16 FRONT FENDER · REAR FENDER



FRONT FENDER · REAR FENDER

Part No.	Parts No.	Description	Q'ty		FRANCE	HOLLAND	N. GERMANY	SWITZERLAND	BELGIUM	SWEDEN	FINLAND	DENMARK	NORWAY	AUSTRIA	ENGLAND	ITALY	Remarks	
			FS1	FS2														
16-1	240-21510-00-93	FRONT FENDER COMP. 1			X	X												
	471-21510-00-93	FRONT FENDER COMP. 1					X											
16-2	97301-08012	BOLT, hexagon 4			X	X	X	X	X	X	X	X	X	X	X	X		
16-3	92901-08100	WASHER, spring 4			X	X	X	X	X	X	X	X	X	X	X	X		
16-4	122-21517-00	PAD, wire 1			X	X	X	X	X	X	X	X	X	X	X	X		
16-5	401-21510-01-93	FRONT FENDER COMP. 1			X	X												
16-6	90101-08281	BOLT, hexagon 2			X	X	X	X	X	X	X	X	X	X	X	X		
16-7	92901-08100	WASHER, spring 2			X	X	X	X	X	X	X	X	X	X	X	X		
16-8	174-21518-00-93	HOLDER, wire 2			X	X	X	X	X	X	X	X	X	X	X	X		
16-9	92901-06100	WASHER, spring 2			X	X	X	X	X	X	X	X	X	X	X	X		
16-10	95301-06600	NUT, hexagon 2			X	X	X	X	X	X	X	X	X	X	X	X		
16-11	468-21610-40-93	REAR FENDER COMP. 1			X													
	471-21610-00-93	REAR FENDER COMP. 1				X												
	471-21610-10-93	REAR FENDER COMP. 1					X											
16-12	97301-08015	BOLT, hexagon 2			X	X	X	X	X	X	X	X	X	X	X	X		
16-13	92901-08100	WASHER, spring 2			X	X	X	X	X	X	X	X	X	X	X	X		
16-14	97321-06015	BOLT, hexagon 2			X	X	X	X	X	X	X	X	X	X	X	X		
16-15	92901-06600	WASHER, plate 2			X	X	X	X	X	X	X	X	X	X	X	X		
16-16	526-21621-00	FLAP, rear fender 1			X													
16-17	471-21623-00	BAND, flap 1			X													
16-18	92501-06012	SCREW, panhead 1			X	X	X	X	X	X	X	X	X	X	X	X		
16-19	92901-06200	WASHER, plain 1			X	X	X	X	X	X	X	X	X	X	X	X		
16-20	95301-06600	NUT, hexagon 1			X	X	X	X	X	X	X	X	X	X	X	X		
16-21	90338-07043	PLUG, blind 1			X													

Fig. 17 FRONT FORK

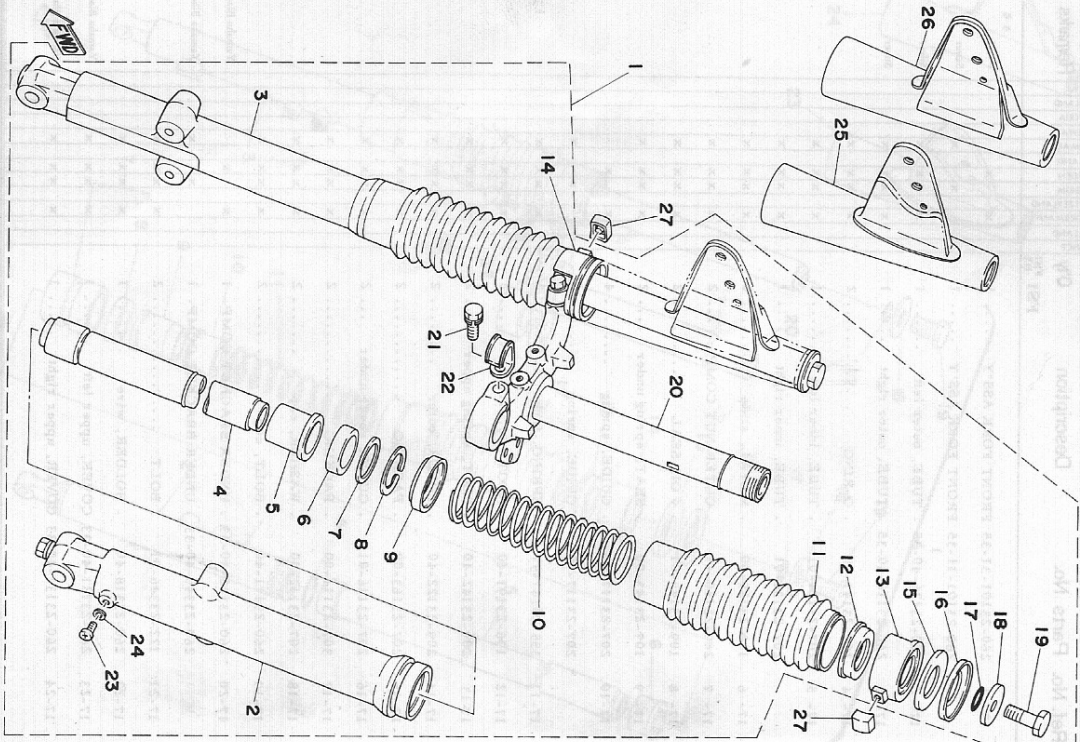


FRONT FORK

Part No.	Parts No.	Description	Qty		Remarks											
			FS1	FS1 FSX	FRANCE	HOLLAND	WEST GERMANY	SWITZERLAND	BELGIUM	SPAIN	SWEDEN	DENMARK	NORWAY	AUSTRIA	ENGLAND	ITALY
17-1	260-23101-31-35	FRONT FORK ASS'Y	1		X											Silver
	260-23101-11-35	FRONT FORK ASS'Y	1			X										Silver
17-2	260-23126-40-35	TUBE, outer left	1		X	X	X	X	X	X	X	X	X	X	X	Silver
17-3	260-23136-40-35	TUBE, outer right	1		X	X	X	X	X	X	X	X	X	X	X	Silver
17-4	207-23147-00	O-RING	2		X	X	X	X	X	X	X	X	X	X	X	
17-5	207-23124-01	TUBE, inner left	1		X	X	X	X	X	X	X	X	X	X	X	
17-6	207-23134-01	TUBE, inner right	1		X	X	X	X	X	X	X	X	X	X	X	
17-6	109-23125-00	METAL, slide	2		X	X	X	X	X	X	X	X	X	X	X	
17-7	209-23150-41	OUTER NUT COMP.	2		X	X	X	X	X	X	X	X	X	X	X	
17-8	109-23145-01	OIL SEAL	2		X	X	X	X	X	X	X	X	X	X	X	
17-9	109-23143-00	SEAT, spring under	2		X	X	X	X	X	X	X	X	X	X	X	
17-10	207-23117-00	GUIDE, spring	4		X	X	X	X	X	X	X	X	X	X	X	
17-11	207-23117-00	GUIDE, spring	2		X	X	X	X	X	X	X	X	X	X	X	
17-11	395-23141-91	SPRING, fork	2		X	X	X	X	X	X	X	X	X	X	X	
17-12	106-23191-40	BOOT	2		X	X	X	X	X	X	X	X	X	X	X	
17-13	209-23142-40	SEAT, spring upper	2		X	X	X	X	X	X	X	X	X	X	X	
17-14	209-23122-40	COVER, outer	2		X	X	X	X	X	X	X	X	X	X	X	
17-15	207-23163-00	PACKING	2		X	X	X	X	X	X	X	X	X	X	X	
17-16	207-23116-01	GUIDE, cover under	2		X	X	X	X	X	X	X	X	X	X	X	
17-17	307-23114-00	PACKING	2		X	X	X	X	X	X	X	X	X	X	X	
17-18	207-23112-00	WASHER, cap	2		X	X	X	X	X	X	X	X	X	X	X	
17-19	260-23111-40	BOLT, cap	2		X	X	X	X	X	X	X	X	X	X	X	
17-20	260-23340-30-33	UNDER BRACKET COMP.	1		X	X	X	X	X	X	X	X	X	X	X	Yamaha Black
17-21	122-23346-01	BOLT	2		X	X	X	X	X	X	X	X	X	X	X	Yamaha Black
17-22	260-23318-40	HOLDER, wire	1		X	X	X	X	X	X	X	X	X	X	X	Yamaha Black
17-23	260-23121-40-33	COVER, upper left	1		X	X	X	X	X	X	X	X	X	X	X	Yamaha Black
17-24	260-23131-40-33	COVER, upper right	1		X	X	X	X	X	X	X	X	X	X	X	Yamaha Black

Fig. 18 FRONT FORK

FRONT FORK



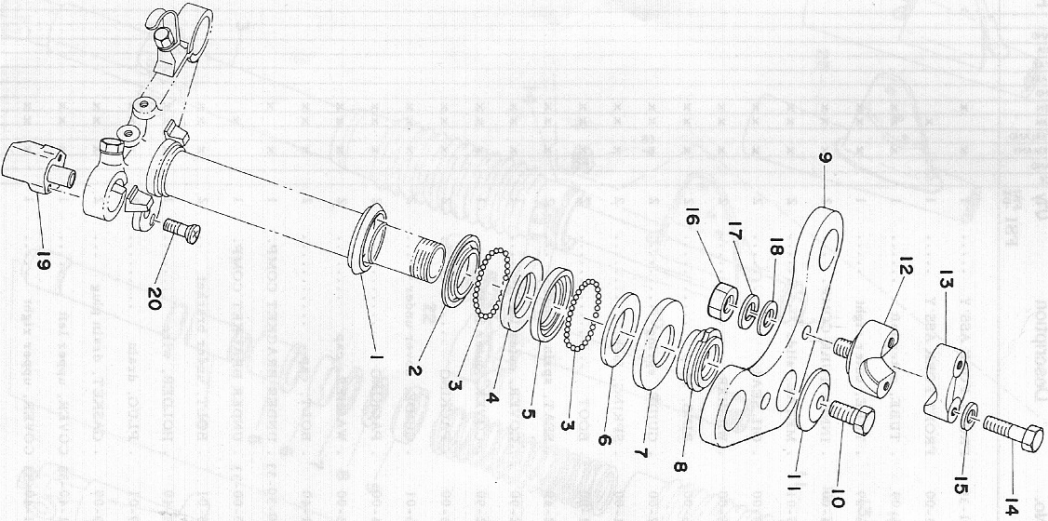
Part No.	Parts No.	Description	Qty		Remarks
			FS1	FS1 BX	

16-1	1K0-23101-30	FRONT FORK ASS'Y	1		
	596-23101-00	FRONT FORK ASS'Y	1		
16-2	401-23126-09	TUBE, outer left	1		
16-3	401-23136-09	TUBE, outer right	1		
16-4	401-23124-00	INNER TUBE COMP.	2		
16-5	395-23135-01	METAL, slide	2		
16-6	395-23145-00	OIL SEAL	2		
16-7	395-23146-00	WASHER	2		
16-8	395-23156-00	RING, snap	2		
16-9	596-23117-00	GUIDE, spring	2		
16-10	596-23141-00	SPRING, fork	2		
16-11	420-23191-00	BOOT	2		
16-12	209-23142-40	SEAT, spring upper	2		
16-13	353-23122-90	COVER, outer left	1		
16-14	353-23132-90	COVER, outer right	1		
16-15	207-23163-00	PACKING	2		
16-16	207-23116-01	GUIDE, cover under	2		
16-17	307-23114-00	PACKING	2		
16-18	207-23112-00	WASHER, cap	2		
16-19	205-23111-40	BOLT, cap	2		
16-20	1K0-23340-30-33	UNDER BRACKET COMP.	1		
	596-23340-00-33	UNDER BRACKET COMP.	1		
16-21	122-23346-01	BOLT, under bracket	2		
16-22	260-23318-40	HOLDER, wire	1		
16-23	122-23119-01	PLUG, drain	2		
16-24	122-23129-00	GASKET, drain plug	2		
16-25	260-23121-40-33	COVER, upper left	1		
16-26	260-23131-40-33	COVER, upper right	1		
16-27	90330-16061	PLUG (256-83329-00)	2		

Yamaha Black
Yamaha Black

Yamaha Black
Yamaha Black

Fig. 19 STEERING

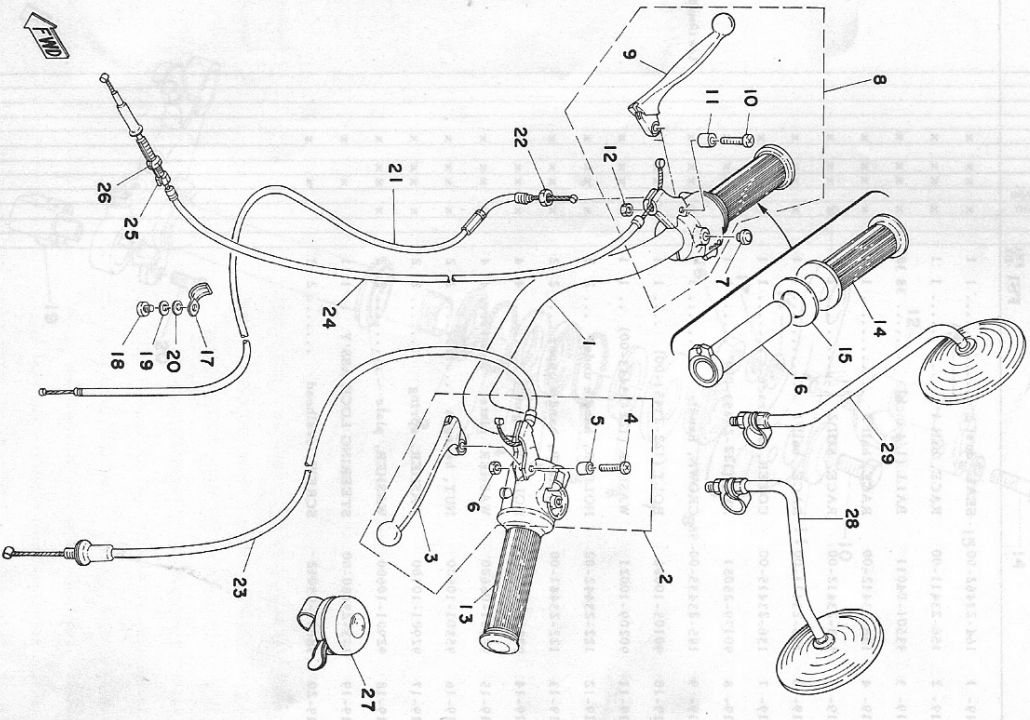


STEERING

Part No.	Parts No.	Description	Qty	Country												Remarks
				FRANCE	HOLLAND	GERMANY	SWITZERLAND	SWEDEN	BELGIUM	FINLAND	DENMARK	NORWAY	AUSTRIA	ENGLAND	ITALY	
19-1	164-23462-00	SEAL, dust	1		X	X	X	X	X	X	X	X	X	X		
19-2	166-23411-00	RACE, ball 1	1		X	X	X	X	X	X	X	X	X	X		
19-3	93501-04011	BALL (1/4 inch)	38		X	X	X	X	X	X	X	X	X	X		
19-4	166-23412-00	RACE, ball 2	1		X	X	X	X	X	X	X	X	X	X		
19-5	103-23412-00	RACE, ball 2	1		X	X	X	X	X	X	X	X	X	X		
19-6	103-23411-00	RACE, ball 1	1		X	X	X	X	X	X	X	X	X	X		
19-7	136-23415-00	COVER, ball race	1		X	X	X	X	X	X	X	X	X	X		
19-8	90179-25051	NUT (122-23453-00)	1		X	X	X	X	X	X	X	X	X	X		
19-9	105-23435-00-98	CROWN, handle	1		X	X	X	X	X	X	X	X	X	X		
19-10	90100-10006	BOLT (122-23451-00)	1		X	X	X	X	X	X	X	X	X	X		
19-11	90209-10021	WASHER (122-23443-00)	1		X	X	X	X	X	X	X	X	X	X		
19-12	122-23442-02	HOLDER, handle under	2		X	X	X	X	X	X	X	X	X	X		
19-13	122-23441-00	HOLDER, handle upper	2		X	X	X	X	X	X	X	X	X	X		
19-14	97314-06035	BOLT, hexagon	4		X	X	X	X	X	X	X	X	X	X		
19-15	92901-06600	WASHER, plate	4		X	X	X	X	X	X	X	X	X	X		
19-16	95301-10600	NUT, hexagon	2		X	X	X	X	X	X	X	X	X	X		
19-17	92901-10100	WASHER, spring	2		X	X	X	X	X	X	X	X	X	X		
19-18	92901-10600	WASHER, plate	2		X	X	X	X	X	X	X	X	X	X		
19-19	135-23480-00	STEERING LOCK ASS'Y	1		X	X	X	X	X	X	X	X	X	X		
19-20	90601-05012	SCREW, ovalhead	2		X	X	X	X	X	X	X	X	X	X		

Low Class Black

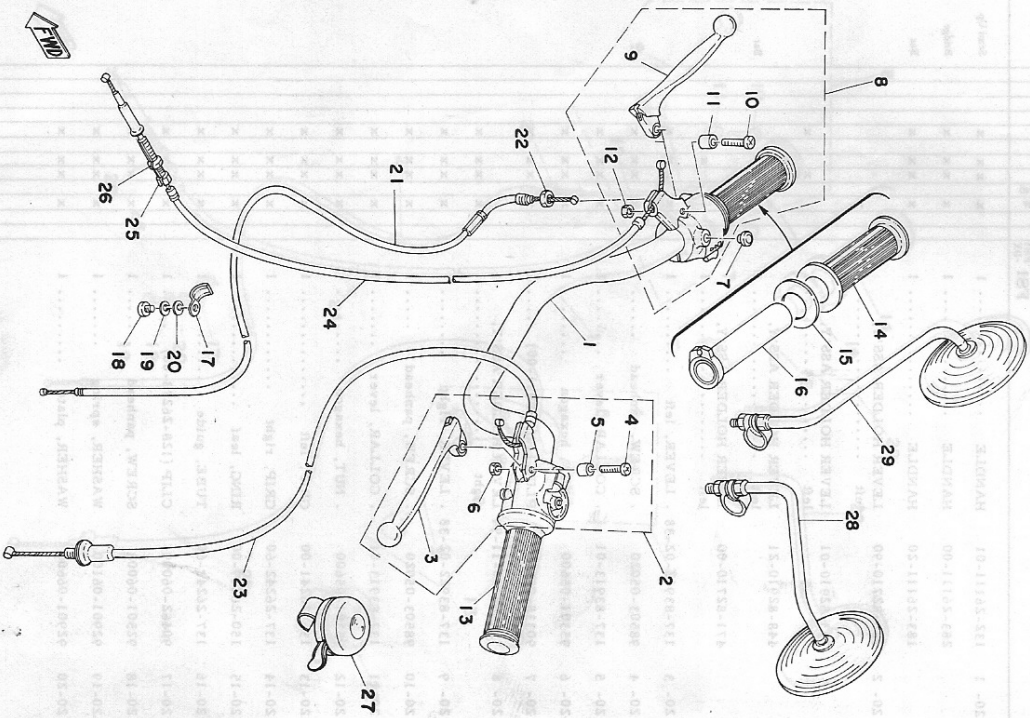
Fig. 20 HANDLE · WIRE



HANDLE · WIRE

Part No.	Parts No.	Description	Qty	FR	ES	IT	EN	DK	NW	BE	SW	FR	DE	NL	UK	Remarks
80-1	133-26111-01	HANDLE	1													Semi Up
	803-26111-00	HANDLE	1													Bridge
	103-26111-20	HANDLE	1													Bar
80-8	460-02710-90	LEVER HOLDER ASS'Y, left	1													
	193-02910-01	LEVER HOLDER ASS'Y, left	1													
	440-02910-21	LEVER HOLDER ASS'Y, left	1													Bar
	471-02710-00	LEVER HOLDER ASS'Y, left	1													
80-3	137-03912-02-38	LEVER, left	1													
80-4	90503-05020	SCREW, panhead	1													
80-5	137-83913-01	COLLAR, lever	1													
80-6	92301-05600	NUT, hexagon	1													
80-7	90338-07011	PLUG (116-83931-00)	1													
80-8	109-82820-11-94	LEVER HOLDER ASS'Y, right	1													
80-9	137-83922-02-38	LEVER, right	1													
80-10	90503-05020	SCREW, panhead	1													
80-11	137-83913-01	COLLAR, lever	1													
80-12	92301-05600	NUT, hexagon	1													
80-13	136-26241-00	GRIP, left	1													
80-14	137-26242-60	GRIP, right	1													
80-15	140-26249-00	RING, leaf	1													
80-16	137-26243-60	TUBE, guide	1													
80-17	90462-06009	CLIP (128-26278-00)	1													
80-18	92301-06008	SCREW, panhead	1													
80-19	92901-06100	WASHER, spring	1													
80-20	92901-06600	WASHER, plate	1													

Fig. 20 HANDLE · WIRE



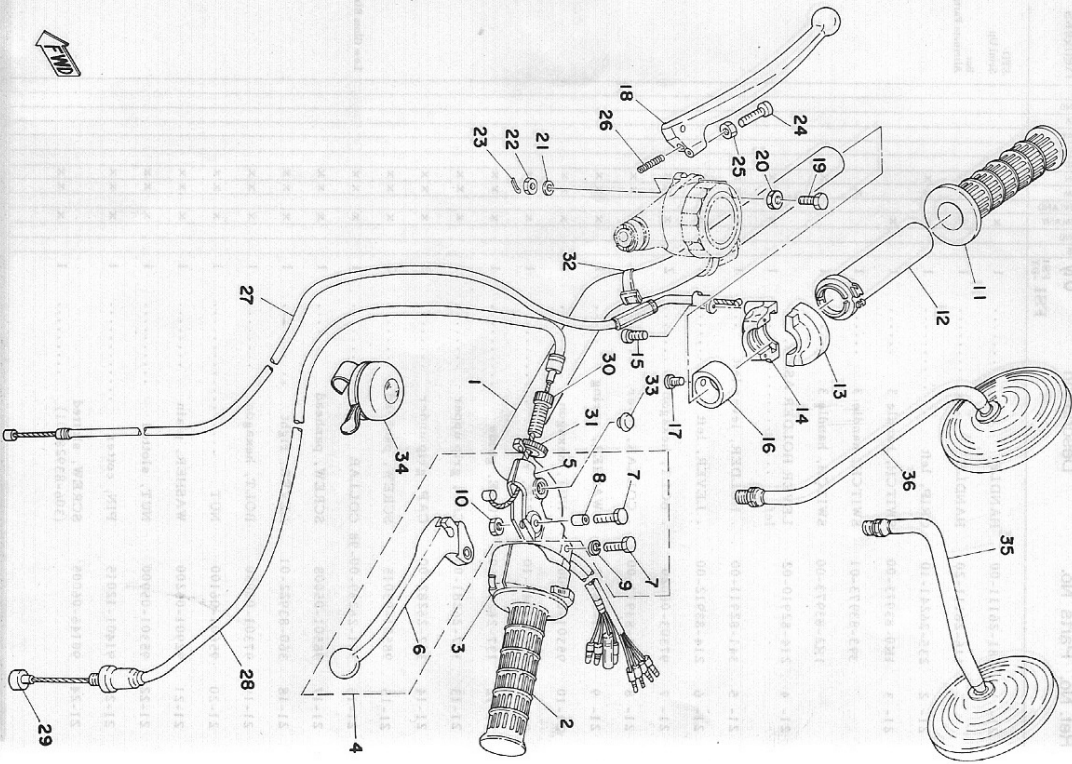
HANDLE · WIRE

Part No.	Parts No.	Description	Qty		Remarks											
			FS1	FS1	FRANCE	HOLLAND	W. GERMANY	SWITZERLAND	BELGIUM	SWEDEN	FINLAND	DENMARK	ROMANIA	AUSTRIA	ENGLAND	ITALY
80 81	194-20311-00	WIRE, throttle (845mm) ... 1			X	X	X	X	X	X	X	X	X	X	X	
	194-20311-10	WIRE, throttle (900mm) ... 1			X	X	X	X	X	X	X	X	X	X	X	
	194-20311-20	WIRE, throttle (750mm) ... 1			X	X	X	X	X	X	X	X	X	X	X	
	90170-10038	NUT, hexagon			X	X	X	X	X	X	X	X	X	X	X	
80 82	860-26335-00	WIRE, clutch (970mm) ... 1			X	X	X	X	X	X	X	X	X	X	X	
80 83	860-26335-10	WIRE, clutch (1030mm) ... 1			X	X	X	X	X	X	X	X	X	X	X	
	860-26335-20	WIRE, clutch (860mm) ... 1			X	X	X	X	X	X	X	X	X	X	X	
80 84	860-26341-00	WIRE, brake (970mm) ... 1			X	X	X	X	X	X	X	X	X	X	X	
	132-26341-10	WIRE, brake (1020mm) ... 1			X	X	X	X	X	X	X	X	X	X	X	
	109-26341-20	WIRE, brake (895mm) ... 1			X	X	X	X	X	X	X	X	X	X	X	
80 85	90123-06011	BOLT (109-26345-00) ... 1			X	X	X	X	X	X	X	X	X	X	X	
80 86	90179-06143	NUT (109-26344-00) ... 1			X	X	X	X	X	X	X	X	X	X	X	
80 87	469-83382-00	BELL			X	X	X	X	X	X	X	X	X	X	X	
80 88	407-26290-50	BACK MIRROR ASS'Y, left			X	X	X	X	X	X	X	X	X	X	X	
	403-26290-20	BACK MIRROR ASS'Y, left			X	X	X	X	X	X	X	X	X	X	X	
	866-26290-10	BACK MIRROR ASS'Y, left			X	X	X	X	X	X	X	X	X	X	X	

OPTIONAL PARTS

80 89	407-26290-60	BACK MIRROR ASS'Y, right			X	X	X	X	X	X	X	X	X	X	X	
	866-26290-00	BACK MIRROR ASS'Y, right			X	X	X	X	X	X	X	X	X	X	X	

Fig. 21 HANDLE · WIRE

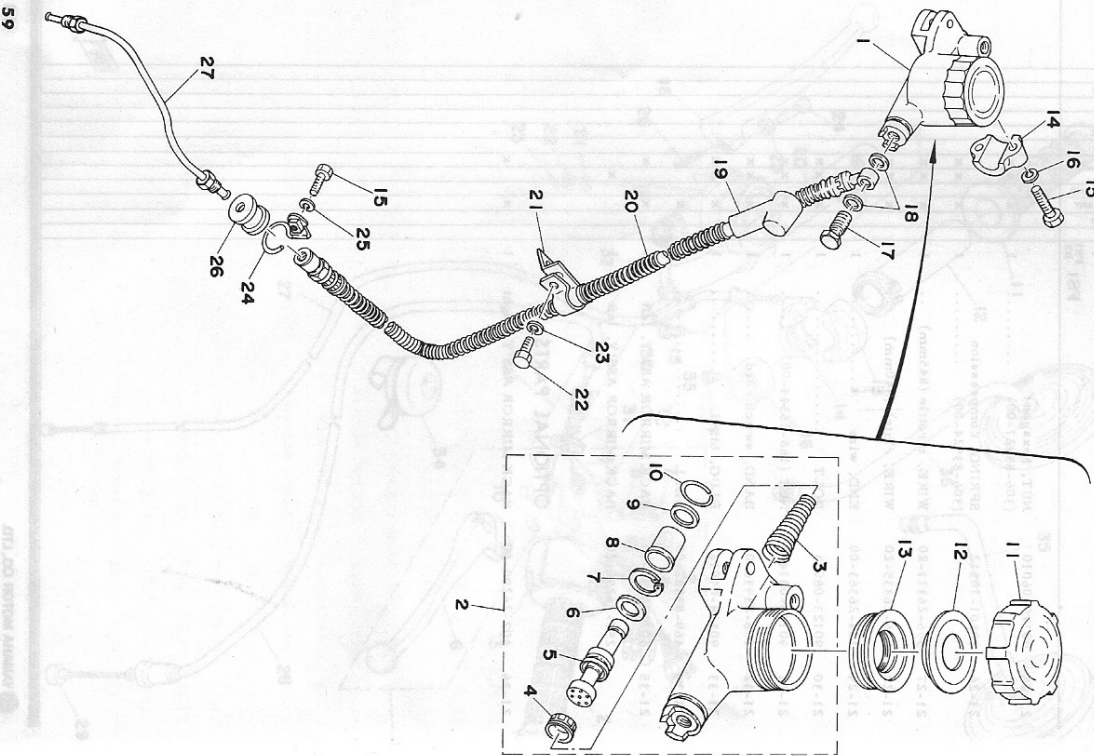


HANDLE · WIRE

Part No.	Parts No.	Description	Qty	FRANCE	HOLLAND	GERMANY	SWITZERLAND	BEIJING	FINLAND	DENMARK	NORWAY	AUSTRIA	ENGLAND	ITALY	Remarks
41-46	90170-06010	NUT, hexagon (306-83927-00)	1												
41-46	90501-10312	SPRING, compression (306-83924-00)	1												
41-47	906-26311-20	WIRE, throttle (845mm)	1												
41-48	906-26335-20	WIRE, clutch (940mm)	1												
41-49	164-26363-00	END, wire	1												
41-50	90123-08013	BOLT	1												
41-51	90179-08148	NUT (168-26344-00)	1												
41-52	168-09916-01	BAND, switch cord	1												
41-53	90338-09012	PLUG, blind	1												
41-54	409-03382-00	BELL	1												
41-55	407-26290-50	BACK MIRROR ASS'Y, left	1												
41-56	407-26290-20	BACK MIRROR ASS'Y, left	1												
OPTIONAL PARTS															
41-56	407-26290-60	BACK MIRROR ASS'Y, right	1												

Fig. 22 MASTER CYLINDER · BRAKE HOSE

MASTER CYLINDER · BRAKE HOSE

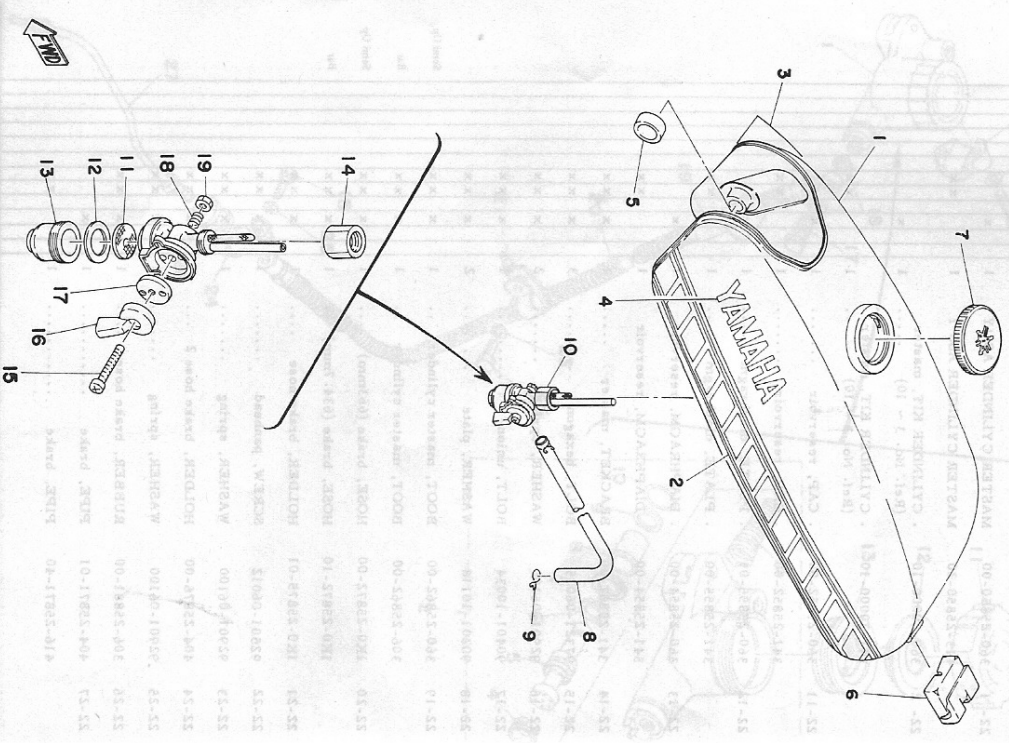


Part No. Parts No. Description Qty. Remarks

Part No.	Parts No.	Description	Qty.			Remarks
			FS1	FS1	FS1	
44-1	360-28062-00	MASTER CYLINDER ASS'Y	1			
	413-28062-20	MASTER CYLINDER ASS'Y	1			
44-2	360-20000-10	CYLINDER KIT, master (Ref. No. 3 ~ 10)	1			
	341-20000-10	CYLINDER KIT, master (Ref. No. 3 ~ 10)	1			
44-11	360-28062-00	CAP, reservoir	1	X		
	341-28062-00	CAP, reservoir	1			
44-12	360-28065-01	PLATE, diaphragm	1	X		
	341-28065-00	PLATE, diaphragm	1			
44-13	360-28064-00	DIAPHRAGM, reservoir	1	X		
	341-28064-00	DIAPHRAGM, reservoir	1			
44-14	341-28067-00	BRACKET, master	1	X		
44-15	92321-06025	BOLT, hexagon	3	X		
44-16	92901-06100	WASHER, spring	2	X		
44-17	90401-10034	BOLT, union	1	X		
44-18	90201-10118	WASHER, plate	2	X		
44-19	360-28062-00	BOOT, master cylinder	1	X	Semi Up	
	306-28062-00	BOOT, master cylinder	1		Bar	
44-20	IK0-28072-00	HOSE, brake (663mm)	1	X	Semi Up	
	IK0-28072-10	HOSE, brake (634.7mm)	1		Bar	
44-21	IK0-28075-01	HOLDER, brake hose	1	X		
	92501-06012	SCREW, panhead	1	X		
44-22	92901-06100	WASHER, spring	1	X		
44-23	404-28076-00	HOLDER, brake hose 2	1	X		
44-24	92901-06100	WASHER, spring	1	X		
44-25	306-28081-00	RUBBER, brake hose	1	X		
44-26	404-28071-01	PIPE, brake	1	X		
44-27	416-28071-10	PIPE, brake	1	X		

Fig. 23 FUEL TANK

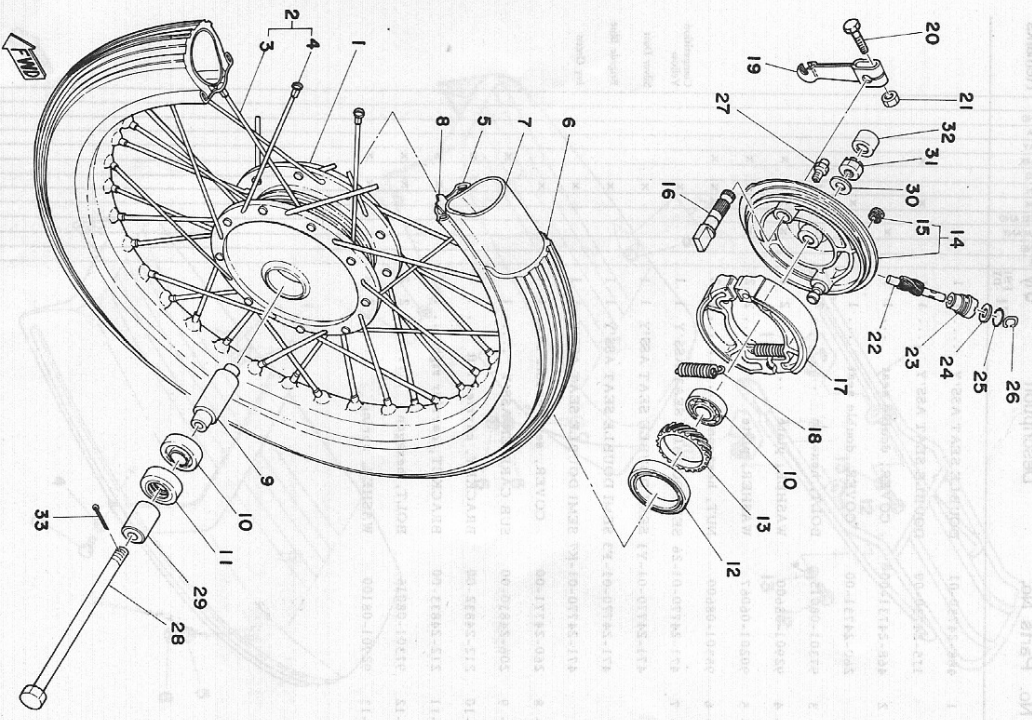
FUEL TANK



Part No.	Parts No.	Description	Q'ty. Applicable FS1 Machine No.	Remarks
----------	-----------	-------------	--	---------

119-24110-00-02	FUEL TANK COMP.	1	Competition Yellow
119-24110-00-03	FUEL TANK COMP.	1	Silver Dust
119-24110-00-04	FUEL TANK COMP.	1	Brigade Blue
119-24110-00-05	FUEL TANK COMP.	1	Ivy Green
119-24244-00	GRAPHIC, fuel tank left	1	
119-24245-00	GRAPHIC, fuel tank right	1	
119-24161-00	EMBLEM, fuel tank	1	White
119-24161-00	EMBLEM, fuel tank	1	Black
122-24101-00	DAMPER, locating 1	2	
467-24104-00	DAMPER, locating	1	
122-24610-01	CAP ASS'Y	1	
136-21766-00	HOSE (5-465)	1	
90467-00003	CLIP (101-24356-00)	2	
167-24500-03	FUEL COCK ASS'Y	1	
165-24515-00	NET, filter	1	
102-24922-01	GASKET, filter	1	
122-24521-00	CUP, filter	1	
603-24531-01	NUT	1	
155-24535-00	SCREW, panhead	1	
155-24524-01	LEVER, cock	1	
100-24523-00	VALVE	1	
156-24518-01	SPRING, lever	1	
95301-00600	NUT, hexagon	1	

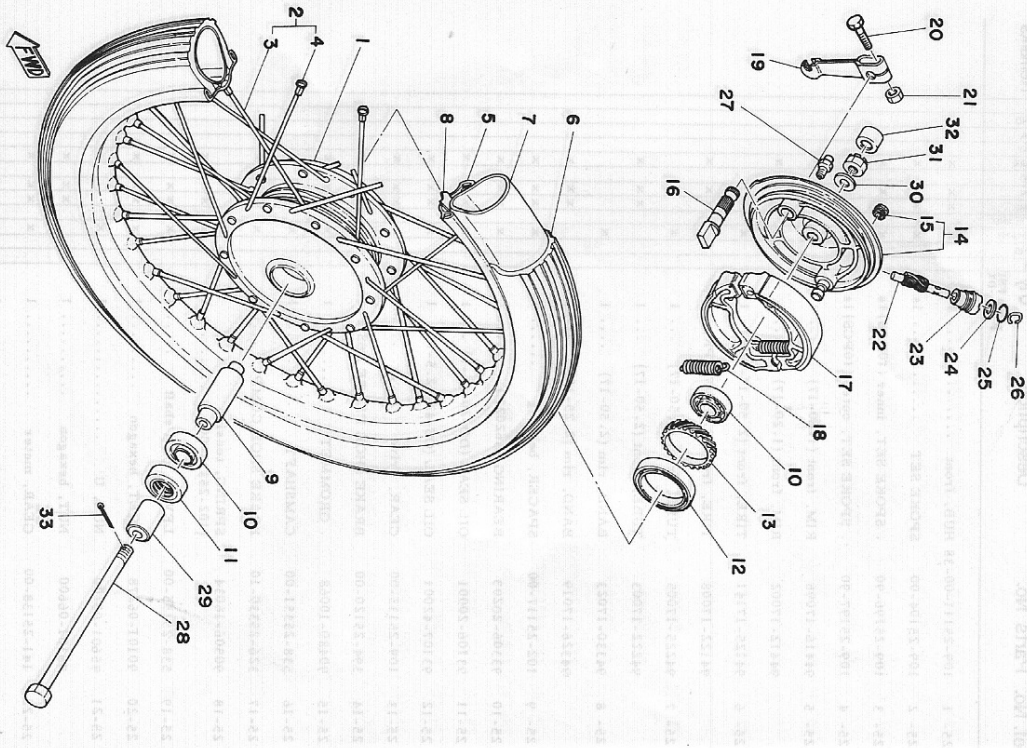
Fig. 25 FRONT WHEEL



FRONT WHEEL

Part No.	Parts No.	Description	Qty	FR	EU	UK	US	CA	JP	IN	TH	PH	MY	SG	BR	MX	CO	VE	RU	TR	SA	AE	OM	EG	IL	IS	GR	CY	PT	ES	IT	Remarks
48-1	109-28111-00	HUB, front	1	X	X	X	X	X	X	X	X	X	X	X	X	X	X	X	X	X	X	X	X	X	X	X	X	X	X	X		
48-2	109-28109-00	SPOKE SET	1s	X	X	X	X	X	X	X	X	X	X	X	X	X	X	X	X	X	X	X	X	X	X	X	X	X	X	X		
48-3	109-28196-90	SPOKE SET, inner (10PCS) 1s	1s	X	X	X	X	X	X	X	X	X	X	X	X	X	X	X	X	X	X	X	X	X	X	X	X	X	X	X		
48-4	109-28197-90	SPOKE SET, outer (10PCS) 1s	1s	X	X	X	X	X	X	X	X	X	X	X	X	X	X	X	X	X	X	X	X	X	X	X	X	X	X	X		
48-5	94416-17096	RIM, front (1.60-17)	1	X	X	X	X	X	X	X	X	X	X	X	X	X	X	X	X	X	X	X	X	X	X	X	X	X	X	X		
48-6	94412-17002	RIM, front (1.20-17)	1	X	X	X	X	X	X	X	X	X	X	X	X	X	X	X	X	X	X	X	X	X	X	X	X	X	X	X		
48-7	94422-17005	TIRE, front (2.25-17-4PR)	1	X	X	X	X	X	X	X	X	X	X	X	X	X	X	X	X	X	X	X	X	X	X	X	X	X	X	X		
48-8	94422-17003	TUBE, front (2.50-17)	1	X	X	X	X	X	X	X	X	X	X	X	X	X	X	X	X	X	X	X	X	X	X	X	X	X	X	X		
48-9	94326-17019	BAND, rim (2.25-17)	1	X	X	X	X	X	X	X	X	X	X	X	X	X	X	X	X	X	X	X	X	X	X	X	X	X	X	X		
48-10	91306-20203	BEARING (B6202Z)	2	X	X	X	X	X	X	X	X	X	X	X	X	X	X	X	X	X	X	X	X	X	X	X	X	X	X	X		
48-11	91106-20001	OIL SEAL (DD-20-35-7)	1	X	X	X	X	X	X	X	X	X	X	X	X	X	X	X	X	X	X	X	X	X	X	X	X	X	X	X		
48-12	91107-42001	OIL SEAL (OS-42-52-5-7)	1	X	X	X	X	X	X	X	X	X	X	X	X	X	X	X	X	X	X	X	X	X	X	X	X	X	X	X		
48-13	109-28135-00	GEAR, drive	1	X	X	X	X	X	X	X	X	X	X	X	X	X	X	X	X	X	X	X	X	X	X	X	X	X	X	X		
48-14	194-28120-00	BRAKE SHOE PLATE ASS'Y	1	X	X	X	X	X	X	X	X	X	X	X	X	X	X	X	X	X	X	X	X	X	X	X	X	X	X	X		
48-15	90480-10068	CROMALET	1	X	X	X	X	X	X	X	X	X	X	X	X	X	X	X	X	X	X	X	X	X	X	X	X	X	X	X		
48-16	538-28351-00	CAMSHAFT	1	X	X	X	X	X	X	X	X	X	X	X	X	X	X	X	X	X	X	X	X	X	X	X	X	X	X	X		
48-17	126-28330-10	BRAKE SHOE COMP.	2	X	X	X	X	X	X	X	X	X	X	X	X	X	X	X	X	X	X	X	X	X	X	X	X	X	X	X		
48-18	90306-16034	SPRING, tension (102-25333-00)	2	X	X	X	X	X	X	X	X	X	X	X	X	X	X	X	X	X	X	X	X	X	X	X	X	X	X	X		
48-19	538-28155-00	LEVER, cam shaft	1	X	X	X	X	X	X	X	X	X	X	X	X	X	X	X	X	X	X	X	X	X	X	X	X	X	X	X		
48-20	90101-06278	BOLT, hexagon	1	X	X	X	X	X	X	X	X	X	X	X	X	X	X	X	X	X	X	X	X	X	X	X	X	X	X	X		
48-21	95601-06100	NUT, U	1	X	X	X	X	X	X	X	X	X	X	X	X	X	X	X	X	X	X	X	X	X	X	X	X	X	X	X		
48-22	95301-06600	NUT, hexagon	1	X	X	X	X	X	X	X	X	X	X	X	X	X	X	X	X	X	X	X	X	X	X	X	X	X	X	X		
48-23	141-28130-00	GEAR, meter	1	X	X	X	X	X	X	X	X	X	X	X	X	X	X	X	X	X	X	X	X	X	X	X	X	X	X	X		
48-24	109-28136-00	BUSHING	1	X	X	X	X	X	X	X	X	X	X	X	X	X	X	X	X	X	X	X	X	X	X	X	X	X	X	X		

Fig. 25 FRONT WHEEL

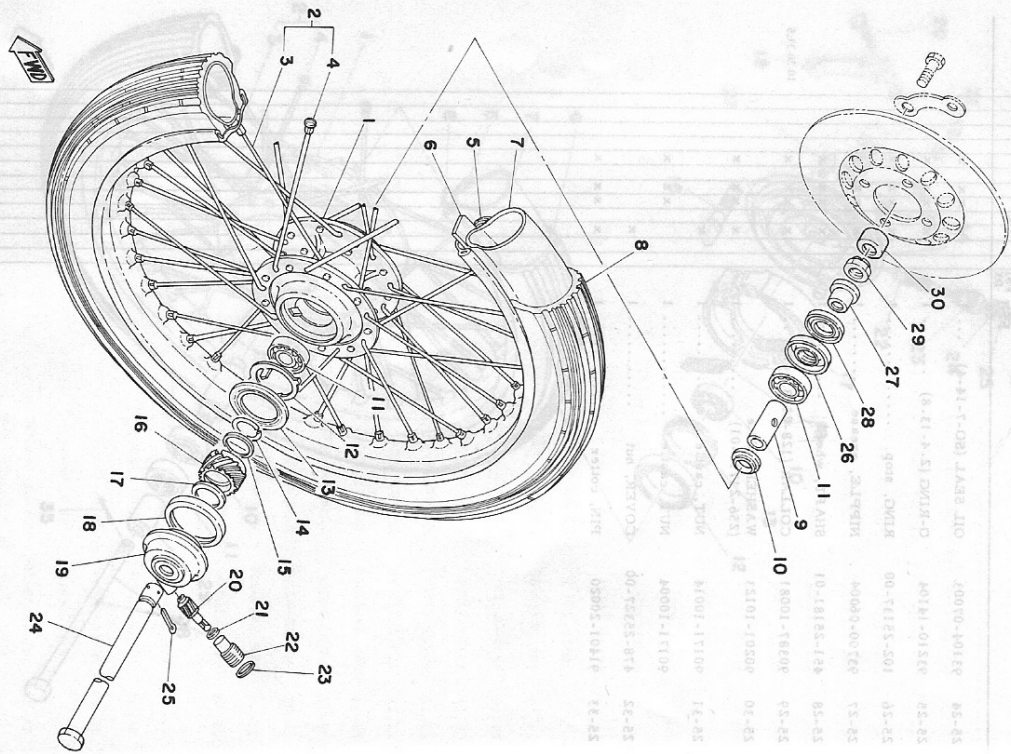


FRONT WHEEL

Part No.	Parts No.	Description	Qty		Remarks
			PSI	DX	
88-84	91104-07003	OIL SEAL (SO-7-14-4)	1		
88-88	91810-14104	O-RING (2.4-13.8)	1		
88-86	102-28137-00	RING, stop	1		
88-87	93700-06004	NIPPLE, grease	1		
88-88	481-25181-01	SHAFT, wheel	1		
88-89	90387-10001	COLLAR (128-25183-00)	1		
88-90	90201-10123	WASHER, plate (256-21715-01)	1		
88-91	90171-10014	NUT, castle	1		
88-92	90171-10004	NUT, castle	1		
88-93	478-25327-00	COVER, nut	1		
88-94	91401-20020	PIN, cotter	1		

10-20-31.5

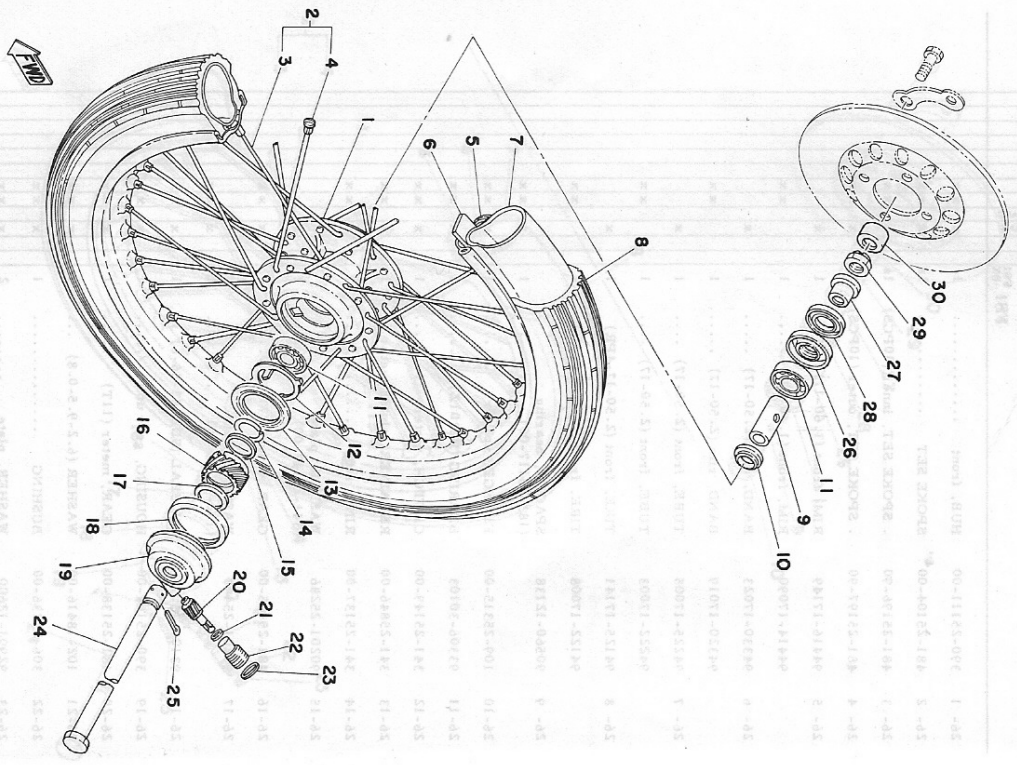
Fig. 26 FRONT WHEEL



FRONT WHEEL

Part No.	Parts No.	Description	Qty	FRANCE	HOLLAND	W. GERMANY	SWITZERLAND	BELOM	SWEDEN	FINLAND	DENMARK	NORWAY	AUSTRIA	ENGLAND	ITALY	Remarks
			FS1 FS1 FS1 FS1 FS1 FS1 FS1 FS1 FS1 FS1 FS1 FS1 FS1 FS1 FS1 FS1													
86-1	390-28111-00	HUB, front	1	X	X	X	X	X	X	X	X	X	X	X	X	
86-2	481-28104-00	SPOKE SET	18	X	X	X	X	X	X	X	X	X	X	X	X	
86-3	481-28196-90	SPOKE SET, inner (10PCS)	18	X	X	X	X	X	X	X	X	X	X	X	X	
86-4	481-28197-90	SPOKE SET, outer (10PCS)	18	X	X	X	X	X	X	X	X	X	X	X	X	
86-5	94416-17149	RIM, front (1.60-17)	1	X	X	X	X	X	X	X	X	X	X	X	X	
86-6	94414-17090	RIM, front (1.40-17)	1	X	X	X	X	X	X	X	X	X	X	X	X	
86-6	94310-17023	BAND, rim (2.50-17)	1	X	X	X	X	X	X	X	X	X	X	X	X	
86-6	94320-17019	BAND, rim (2.50-17)	1	X	X	X	X	X	X	X	X	X	X	X	X	
86-7	94425-17005	TUBE, front (2.50-17)	1	X	X	X	X	X	X	X	X	X	X	X	X	
86-7	94422-17003	TUBE, front (2.50-17)	1	X	X	X	X	X	X	X	X	X	X	X	X	
86-8	94125-17141	TIRE, front (2.50-17-4PR)	1	X	X	X	X	X	X	X	X	X	X	X	X	
86-9	94122-17008	TIRE, front (2.50-17-4PR)	1	X	X	X	X	X	X	X	X	X	X	X	X	
86-9	90560-12138	SPACER, bearing (183-25117-00)	1	X	X	X	X	X	X	X	X	X	X	X	X	
86-10	109-28315-00	FLANGE, spacer	1	X	X	X	X	X	X	X	X	X	X	X	X	
86-11	93306-30103	BEARING (B6301Z)	2	X	X	X	X	X	X	X	X	X	X	X	X	
86-12	341-28149-00	CLUTCH, meter	1	X	X	X	X	X	X	X	X	X	X	X	X	
86-13	341-28046-00	RETAINER, clutch meter	1	X	X	X	X	X	X	X	X	X	X	X	X	
86-14	341-28117-00	RING, stop	1	X	X	X	X	X	X	X	X	X	X	X	X	
86-15	90201-25286	WASHER, plate (341-25147-00)	1	X	X	X	X	X	X	X	X	X	X	X	X	
86-16	481-28135-00	GEAR, drive (27T)	1	X	X	X	X	X	X	X	X	X	X	X	X	
86-17	90201-25490	WASHER, plate (152-17226-00)	1	X	X	X	X	X	X	X	X	X	X	X	X	
86-18	93109-45017	OIL SEAL (SDD-45-56-6)	1	X	X	X	X	X	X	X	X	X	X	X	X	
86-19	390-28191-00	HOUSING, gear unit	1	X	X	X	X	X	X	X	X	X	X	X	X	
86-20	481-28138-00	GEAR, meter (11T)	1	X	X	X	X	X	X	X	X	X	X	X	X	
86-21	102-18416-00	WASHER (6-2-9-5-0-8)	1	X	X	X	X	X	X	X	X	X	X	X	X	
86-22	306-28136-00	BUSHING	1	X	X	X	X	X	X	X	X	X	X	X	X	
86-23	93901-12600	WASHER, plate	2	X	X	X	X	X	X	X	X	X	X	X	X	

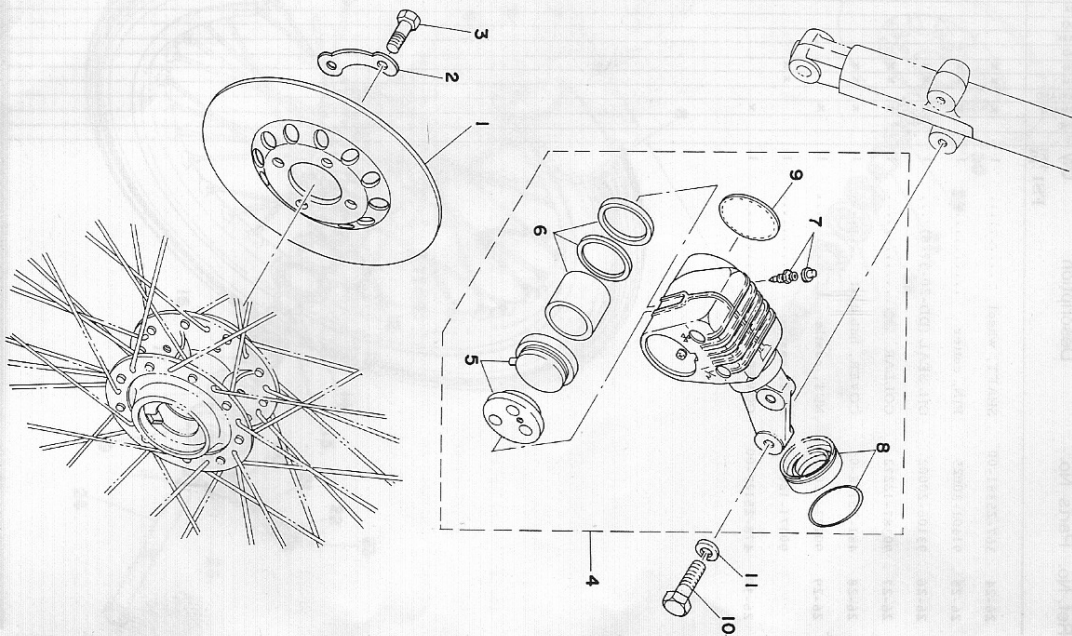
Fig. 26 FRONT WHEEL



FRONT WHEEL

Part No.	Parts No.	Description	Qty	FS1	FS1-DX	FRANCE	HOLLAND	W. GERMANY	SWITZERLAND	BELGIUM	SWEDEN	FINLAND	DENMARK	NORWAY	AUSTRIA	ENGLAND	ITALY	Remarks
44-84	447-89101-00	SHAFT, wheel	1			X	X	X	X	X	X	X	X	X	X	X	X	
44-85	91401-80025	PIN, cotter	1			X	X	X	X	X	X	X	X	X	X	X	X	
44-86	91106-80002	OIL SEAL (DD-20-37-8)	1			X	X	X	X	X	X	X	X	X	X	X	X	
44-87	90907-12272	COLLAR	1			X	X	X	X	X	X	X	X	X	X	X	X	
44-88	401-85110-01	COVER, hub dust	1			X	X	X	X	X	X	X	X	X	X	X	X	
44-89	90171-12015	COVER, hub dust	1			X	X	X	X	X	X	X	X	X	X	X	X	
44-90	90171-12005	COVER, nut	1			X	X	X	X	X	X	X	X	X	X	X	X	
44-91	478-25127-00	COVER, nut	1			X	X	X	X	X	X	X	X	X	X	X	X	

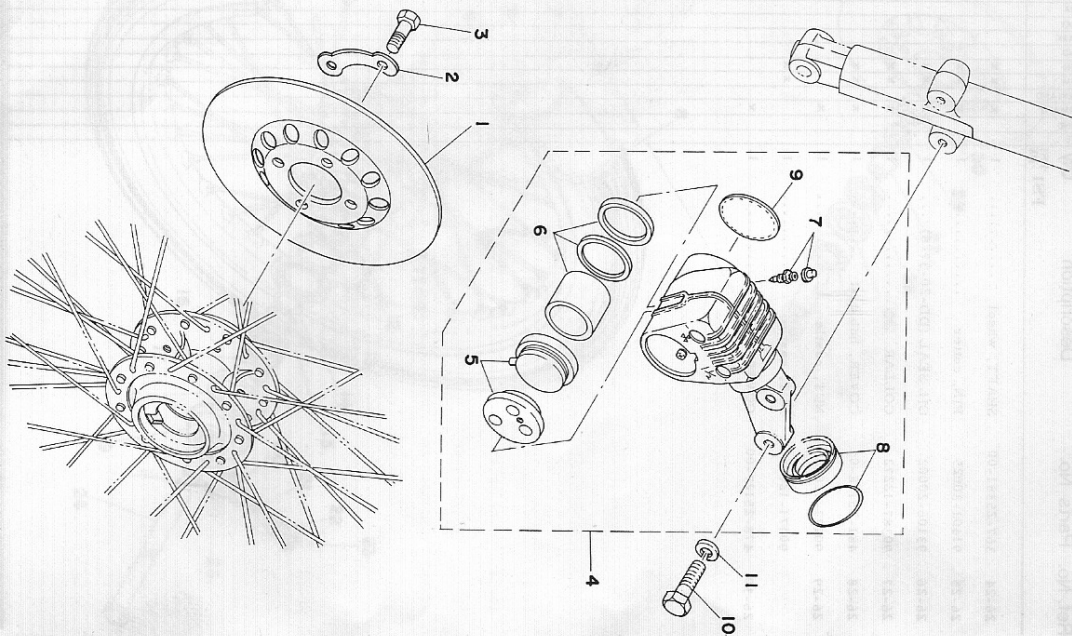
Fig. 27 DISK BRAKE · CALIPER



DISK BRAKE · CALIPER

Ref No.	Parts No.	Description	Q'ty	Applicable Fst Machine No.	Remarks
27- 1	390-25711-00	DISK, brake	1		
27- 2	390-25412-00	WASHER, lock	2		
27- 3	90109-08367	BOLT	4		
27- 4	481-25810-00	CALIPER ASS'Y	1		
27- 5	464-20000-11	· PAD LINING ASS'Y	1s		
27- 6	404-20000-20	· PISTON SET, caliper	1s		
27- 7	404-20000-30	· SCREW BREED ASS'Y	1s		
27- 8	404-20000-41	· BOOT ASS'Y	1s		
27- 9	306-25829-00	· EMBLEM, caliper	1		
27-10	90101-08245	BOLT, hexagon	2		
27-11	92901-08100	WASHER, spring	2		

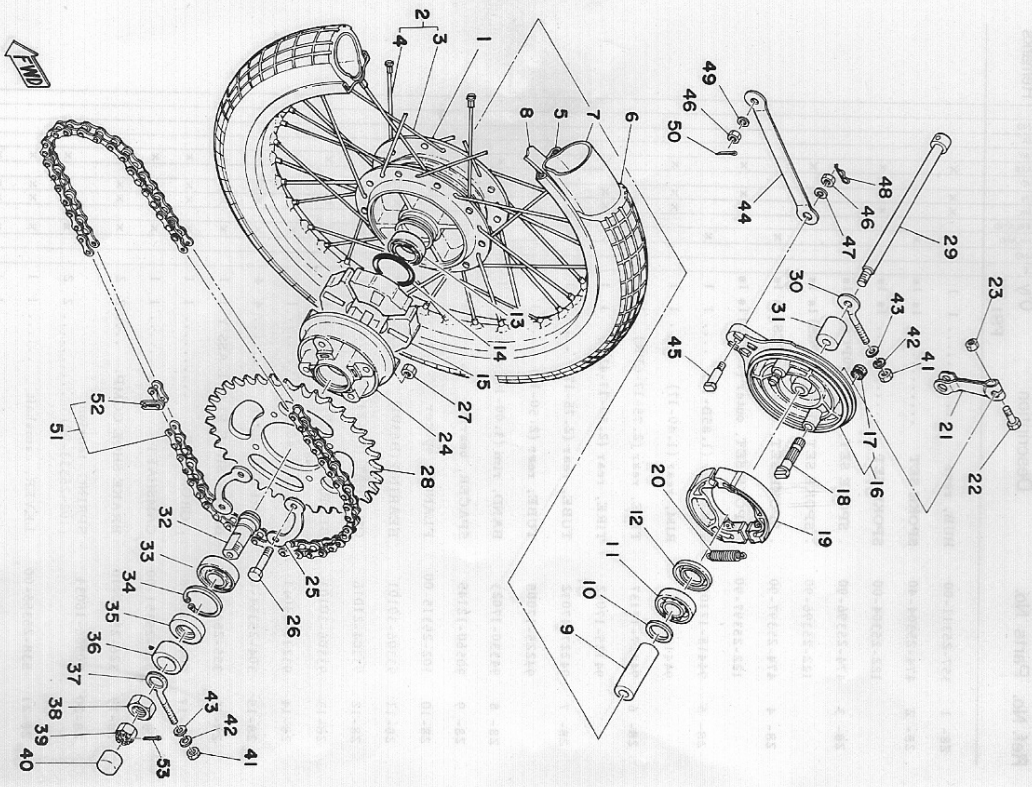
Fig. 27 DISK BRAKE · CALIPER



DISK BRAKE · CALIPER

Ref No.	Parts No.	Description	Q'ty	Applicable Fst Machine No.	Remarks
27- 1	390-25711-00	DISK, brake	1		
27- 2	390-25412-00	WASHER, lock	2		
27- 3	90109-08367	BOLT	4		
27- 4	481-25810-00	CALIPER ASS'Y	1		
27- 5	464-20000-11	· PAD LINING ASS'Y	1s		
27- 6	404-20000-20	· PISTON SET, caliper	1s		
27- 7	404-20000-30	· SCREW BREED ASS'Y	1s		
27- 8	404-20000-41	· BOOT ASS'Y	1s		
27- 9	306-25829-00	· EMBLEM, caliper	1		
27-10	90101-08245	BOLT, hexagon	2		
27-11	92901-08100	WASHER, spring	2		

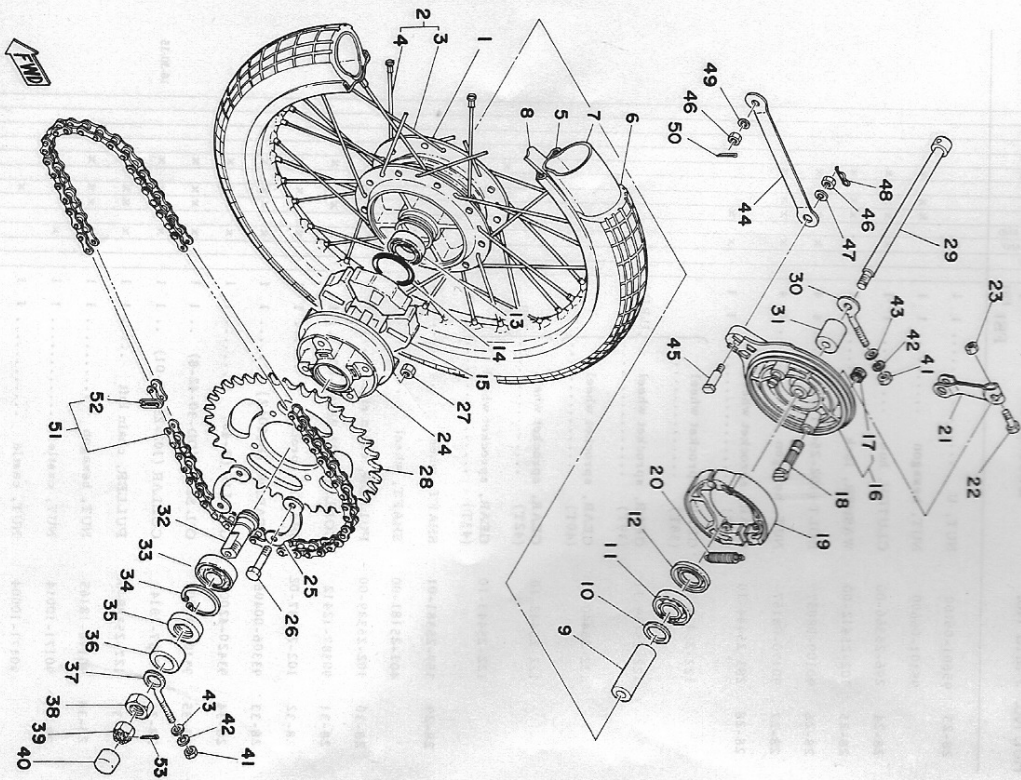
Fig. 28 REAR WHEEL



REAR WHEEL

Ref. No.	Parts No.	Description	Qty		FRANCE	GERMANY	SWITZERLAND	BELGIUM	SWEDEN	FINLAND	DENMARK	NORWAY	AUSTRIA	ENGLAND	ITALY	Remarks
			F51	-FX												
28-23	95601-06100	NUT, U	1	1	X											
	95301-06600	NUT, hexagon	1	1		X	X	X	X	X	X	X	X	X		
28-24	296-25366-00	CLUTCH, hub	1	1	X	X	X	X	X	X	X	X	X	X		
28-25	102-25412-00	WASHER, lock	2	2	X	X	X	X	X	X	X	X	X	X		
28-26	90109-08057	BOLT (102-25411-01)	4	4	X	X	X	X	X	X	X	X	X	X		
28-27	90170-08157	NUT, hexagon	4	4	X	X	X	X	X	X	X	X	X	X		
28-28	283-25444-10	GEAR, sprocket wheel (44T)	1	1	X	X										
	122-25438-10	GEAR, sprocket wheel (38T)	1	1			X									
	122-25439-11	GEAR, sprocket wheel (39T)	1	1			X									
	122-25440-11	GEAR, sprocket wheel (40T)	1	1			X									
	122-25442-10	GEAR, sprocket wheel (42T)	1	1			X									
	122-25443-10	GEAR, sprocket wheel (43T)	1	1			X									
28-29	357-25381-01	SHAFT, wheel	1	1	X											
	401-25181-00	SHAFT, wheel	1	1	X											
28-30	102-25389-00	PULLER, chain right	1	1	X	X	X	X	X	X	X	X	X	X		
28-31	90387-12412	COLLAR (102-25389-00)	1	1	X	X	X	X	X	X	X	X	X	X		
28-32	102-25387-02	SHAFT, sprocket	1	1	X	X	X	X	X	X	X	X	X	X		
28-33	93306-00406	BEARING (B6004Z)	1	1	X	X	X	X	X	X	X	X	X	X		
28-34	93420-42007	CIRCLIP (R-4Z)	1	1	X	X	X	X	X	X	X	X	X	X		
28-35	93106-30004	OIL SEAL (DD-30-4Z-0)	1	1	X	X	X	X	X	X	X	X	X	X		
28-36	90387-18143	COLLAR (102-25386-01)	1	1	X	X	X	X	X	X	X	X	X	X		
28-37	127-25388-00	PULLER, chain left	1	1	X	X	X	X	X	X	X	X	X	X		
28-38	90170-18165	NUT, hexagon	1	1	X	X	X	X	X	X	X	X	X	X		
28-39	90171-10014	NUT, castle	1	1	X	X	X	X	X	X	X	X	X	X		
	90171-10004	NUT, castle	1	1	X	X	X	X	X	X	X	X	X	X		
	90171-12005	NUT, castle	1	1	X	X	X	X	X	X	X	X	X	X		

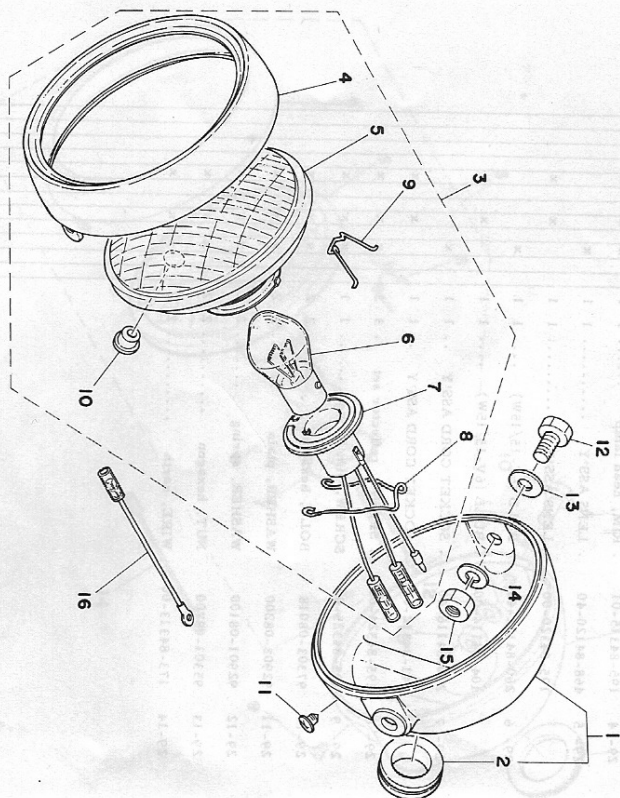
Fig. 28 REAR WHEEL



REAR WHEEL

Ref. No.	Parts No.	Description	Qty		FRANCE	GERMANY	NETHERLANDS	BELGIUM	SWITZERLAND	FINLAND	DENMARK	AUSTRIA	ENGLAND	ITALY	Remarks
			FS1	FS1 FSX											
28-40	478-25327-00	COVER, nut	1	1											
28-41	95301-06600	NUT, hexagon	2	2											
28-42	92901-06100	WASHER, spring	2	2											
28-43	92901-06600	WASHER, plate	2	2											
28-44	102-25371-00	BAR, tension	1	1											
28-45	90109-08183	BOLT (102-25373-00)	1	1											
28-46	95301-08700	NUT, hexagon	2	2											
28-47	92901-08100	WASHER, spring	1	1											
28-48	90468-12007	CLIP (102-25375-00)	1	1											
28-49	92901-08600	WASHER, plate	1	1											
28-50	91401-20012	PIN, cotter	1	1											
28-51	94504-20102	CHAIN (DK420-102L)	1	1											
	94504-20098	CHAIN (DK420-98L)	1	1											
	94504-20094	CHAIN (DK420-94L)	1	1											
	94504-20096	CHAIN (DK420-96L)	1	1											
28-52	94604-20001	JOINT, chain	1	1											
28-53	91401-20020	PIN, cotter	1	1											
	91401-30022	PIN, cotter	1	1											

Fig. 30 HEAD LAMP 2



HEAD LAMP 2

Ref. No. Parts No.

Description

Q'ty

PSI

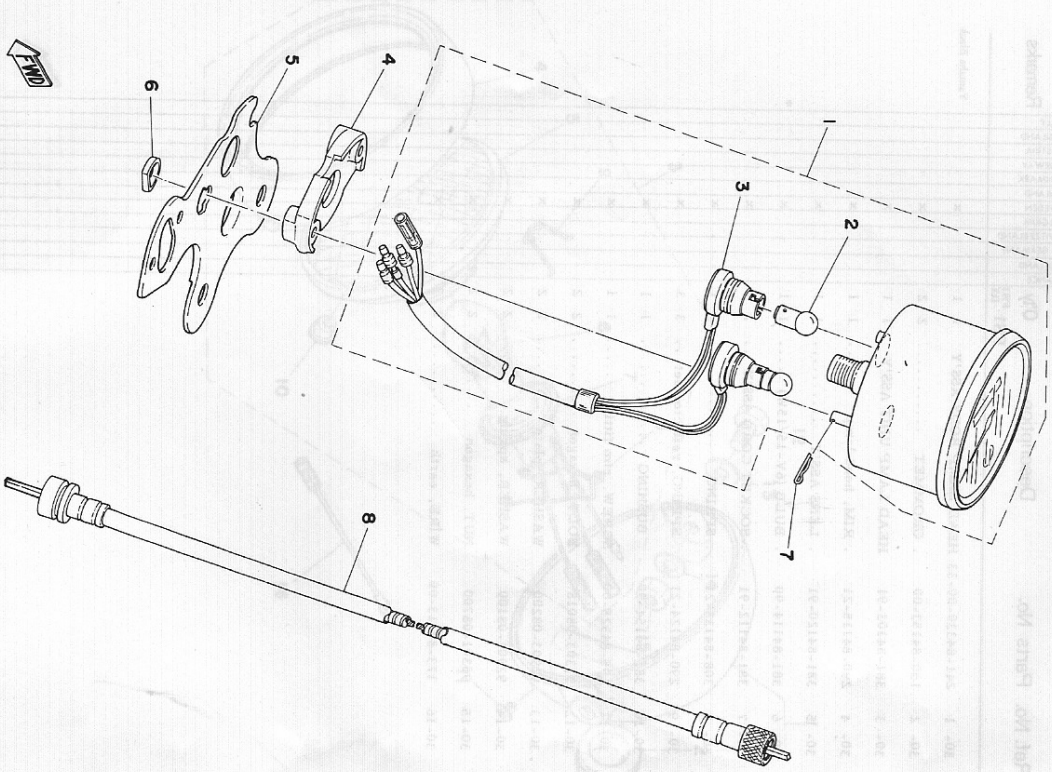
PSI

PSI

Remarks

Ref. No.	Parts No.	Description	Q'ty	PSI	PSI	PSI	FRANCE	HOLLAND	GERMANY	SWITZERLAND	BELGIUM	SWEDEN	FINLAND	DENMARK	NORWAY	AUSTRIA	ENGLAND	ITALY	Remarks
30-1	241-84330-00-33	HEAD LAMP BODY ASS'Y	1	1			X												Yamaha Black
30-2	150-84153-00	GROMMET	2	2			X												
30-3	381-84103-91	HEAD LAMP UNIT ASS'Y	1	1			X												
30-4	290-84115-21	RIM, headlamp	1	1			X												
30-5	381-84120-91	LENS ASS'Y	1	1			X												
30-6	381-84114-90	BULB (6V-15/15W)	1	1			X												
30-7	381-84112-91	SOCKET CORD ASS'Y	1	1			X												
30-8	308-84135-21	SPRING	1	1			X												
30-9	290-84124-21	SPRING, reflector set	3	3			X												
30-10	381-84154-90	BUSHING	1	1			X												
30-11	195-84325-00	SCREW, rim fitting	1	1			X												
30-12	97303-08018	BOLT, hexagon	2	2			X												
30-13	92903-08200	WASHER, plain	2	2			X												
30-14	92901-08100	WASHER, spring	2	2			X												
30-15	95301-08700	NUT, hexagon	2	2			X												
30-16	173-84313-00	WIRE, earth	2	2			X												

Fig. 31 SPEEDOMETER

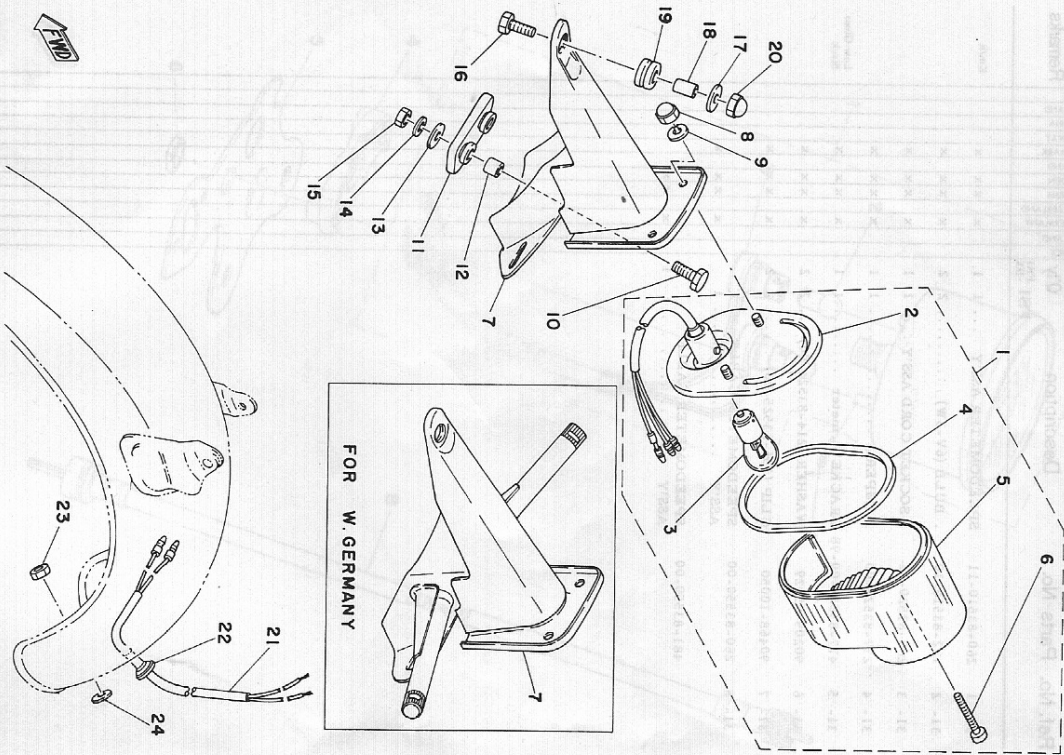


SPEEDOMETER

Ref. No.	Parts No.	Description	Qty		FRANCE	HOLLAND	W. GERMANY	SWITZERLAND	BELGIUM	SWEDEN	FINLAND	DENMARK	NORWAY	AUSTRIA	ENGLAND	ITALY	Remarks	
			FS1	FS1-0X														
31- 1	260-83510-11	SPEEDOMETER ASS'Y	1	1														
31- 2	122-83516-10	BULB (6V-3W)	2	2														km/h
31- 3	260-83520-11	SOCKET CORD ASS'Y	1	1														
31- 4	237-83523-00	DAMPER	1	1														
31- 5	477-83519-00-98	BRACKET, meter	1	1														
31- 6	90209-05029	WASHER (214-83524-00)	2	2														
31- 7	90468-10050	CLIP (156-83525-00)	2	2														
31- 8	260-83550-00	SPEEDOMETER CABLE ASS'Y	1	1														
	481-83550-00	SPEEDOMETER CABLE ASS'Y	1	1														

Low Glass
Mirror

Fig. 32 TAIL LAMP



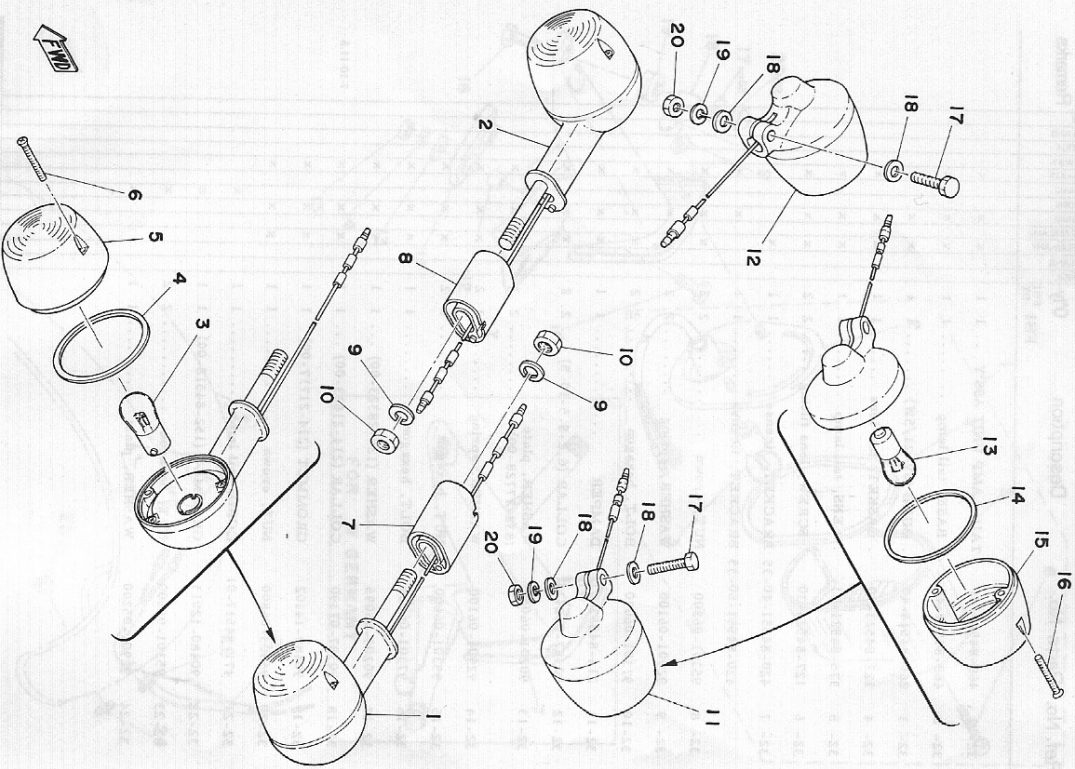
TAIL LAMP

Ref. No.	Parts No.	Description	Qty																Remarks
			FS1	FS1-DX	FRANCE	HOLLAND	W. GERMANY	SWITZERLAND	BELGIUM	SWEDEN	FINLAND	DENMARK	NORWAY	USA	ENGLAND	ITALY			
32-1	468-84510-41	TAIL LAMP UNIT ASS'Y	1	1	X	X	X	X	X	X	X	X	X	X	X				
32-2	468-84511-40	BASE, tail lamp	1	1	X	X	X	X	X	X	X	X	X	X	X				
32-3	260-84514-40	BULB (6V-21/5W)	1	1	X	X	X	X	X	X	X	X	X	X	X				
32-4	122-84523-30	GASKET, tail lens	1	1	X	X	X	X	X	X	X	X	X	X	X				
32-5	375-84521-41	LENS, tail lamp	1	1	X	X	X	X	X	X	X	X	X	X	X				
32-6	127-84524-30	SCREW, lens fitting	2	2	X	X	X	X	X	X	X	X	X	X	X				
32-7	420-84551-40-35	BRACKET, license	1	1	X	X	X	X	X	X	X	X	X	X	X				
	420-84551-50-35	BRACKET, license	1	1	X	X	X	X	X	X	X	X	X	X	X				
32-8	95301-06800	NUT, crown	2	2	X	X	X	X	X	X	X	X	X	X	X				
32-9	92901-06100	WASHER, spring	2	2	X	X	X	X	X	X	X	X	X	X	X				
32-10	97301-06020	BOLT, hexagon	2	2	X	X	X	X	X	X	X	X	X	X	X				
32-11	214-84553-01	DAMPER	1	1	X	X	X	X	X	X	X	X	X	X	X				
32-12	90387-06241	COLLAR (6-2.8-5-10.5)	2	2	X	X	X	X	X	X	X	X	X	X	X				
32-13	90201-06059	WASHER, plate (338-77728-00)	2	2	X	X	X	X	X	X	X	X	X	X	X				
32-14	92901-06100	WASHER, spring	2	2	X	X	X	X	X	X	X	X	X	X	X				
32-15	95301-06600	NUT, hexagon	2	2	X	X	X	X	X	X	X	X	X	X	X				
32-16	97301-06020	BOLT, hexagon	1	1	X	X	X	X	X	X	X	X	X	X	X				
32-17	90209-06095	WASHER (120-28323-00)	1	1	X	X	X	X	X	X	X	X	X	X	X				
32-18	90387-07390	COLLAR (214-21633-00)	1	1	X	X	X	X	X	X	X	X	X	X	X				
32-19	90480-14102	GROMMET (214-21717-00)	1	1	X	X	X	X	X	X	X	X	X	X	X				
32-20	95303-06800	NUT, crown	1	1	X	X	X	X	X	X	X	X	X	X	X				
32-21	471-84517-01	CORD, tail lamp	1	1	X	X	X	X	X	X	X	X	X	X	X				
32-22	90480-12013	GROMMET (152-84518-00)	1	1	X	X	X	X	X	X	X	X	X	X	X				
32-23	95301-05600	NUT, hexagon	2	2	X	X	X	X	X	X	X	X	X	X	X				
32-24	92901-05200	WASHER, plain	1	1	X	X	X	X	X	X	X	X	X	X	X				

7-10115

Silver
Silver

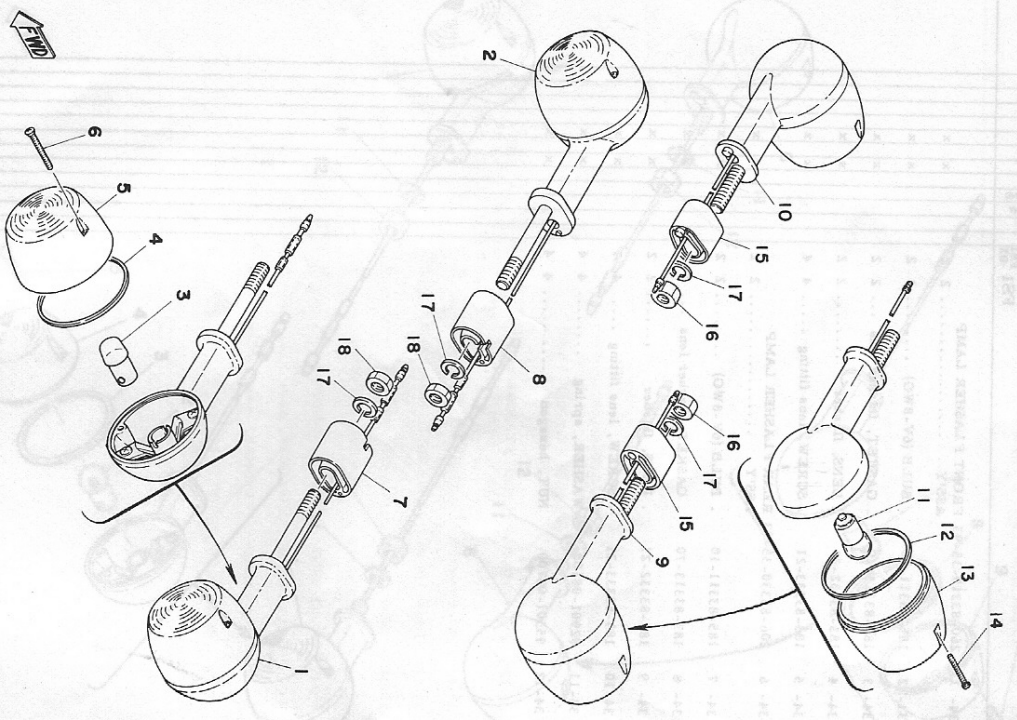
Fig. 33 FLASHER LAMP 1



FLASHER LAMP 1

Ref. No.	Parts No.	Description	Qty	FRANCE	HOLLAND	W. GERMANY	SWITZERLAND	BEIJING	SWEDEN	FINLAND	DENMARK	NORWAY	AUSTRIA	ENGLAND	ITALY	Remarks
			PS1 -DX													
33-1	353-83310-30-93	FRONT FLASHER LAMP ASS'Y, left	1		X											
33-2	353-83320-30-93	FRONT FLASHER LAMP ASS'Y, right	1		X											
33-3	308-83311-30	BULB (6V-21W)	2	X												
33-4	183-83313-70	GASKET, flasher lens	2	X												
33-5	183-83312-70	LENS, flasher	2	X												
33-6	183-83333-71	SCREW, lens fitting	4	X												
33-7	353-83316-30	COLLAR, flasher 1	1	X												
33-8	353-83326-30	COLLAR, flasher 2	1	X												
33-9	92901-08100	WASHER, spring	2	X												
33-10	95303-08700	NUT, hexagon	2	X												
33-11	474-83330-30-93	REAR FLASHER LAMP ASS'Y, left	1	X												
33-12	474-83340-30-93	REAR FLASHER LAMP ASS'Y, right	1	X												
33-13	308-83311-30	BULB (6V-21W)	2	X												
33-14	306-83313-80	GASKET, flasher lens	2	X												
33-15	306-83332-80	LENS, flasher	2	X												
33-16	183-83333-71	SCREW, lens fitting	4	X												
33-17	97303-06030	BOLT, hexagon	4	X												
33-18	92903-06200	WASHER, plain	4	X												
33-19	92903-06100	WASHER, spring	2	X												
33-20	95301-06500	NUT, hexagon	2	X												

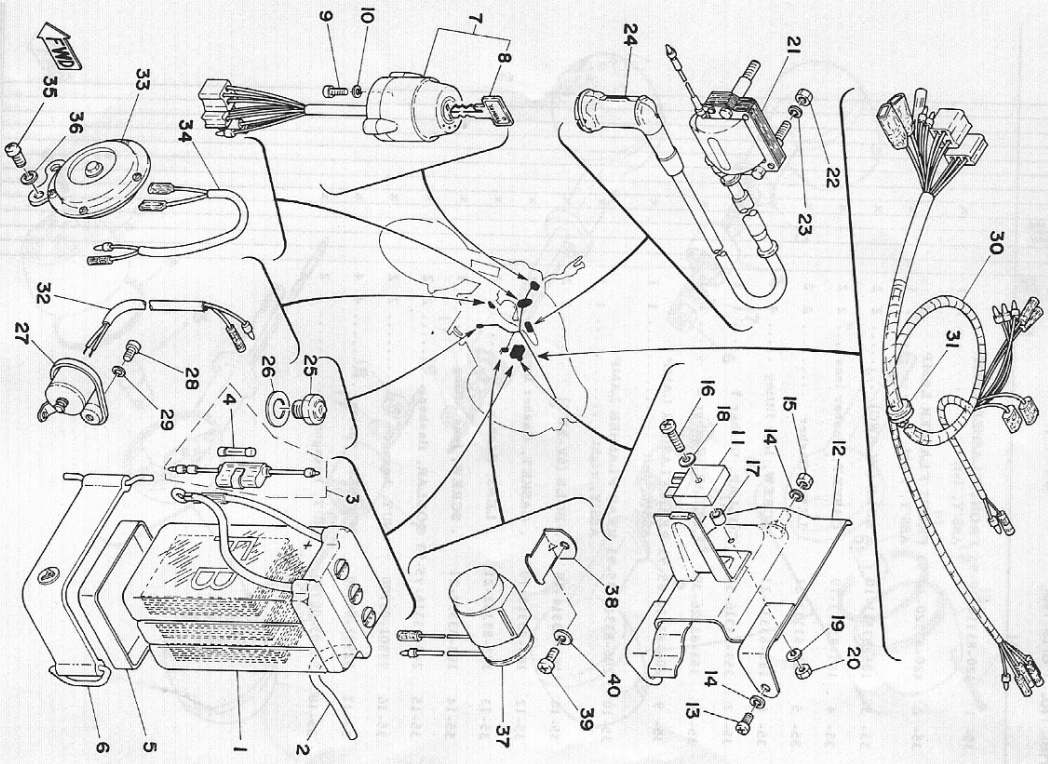
Fig. 35 FLASHER LAMP 3



FLASHER LAMP 3

Ref. No.	Parts No.	Description	Qty		FRANCE	HOLLAND	W. GERMANY	SWITZERLAND	BELGIUM	SWEDEN	FINLAND	DENMARK	NORWAY	AUSTRIA	ENGLAND	ITALY	Remarks
			PSI	DN													
35-1	420-83310-10-91	FRONT FLASHER LAMP ASSY, left	1	1													
35-2	420-83320-10-91	FRONT FLASHER LAMP ASSY, right	1	1													
35-3	185-83311-10	BULB (6V-8WG)	2	2													
35-4	183-83313-70	GASKET, flasher lens	2	2													
35-5	183-83332-21	LENS, flasher	2	2													
35-6	183-83333-21	SCREW, lens fitting	4	4													
35-7	353-83316-30	COLLAR, flasher 1	1	1													
35-8	353-83326-30	COLLAR, flasher 2	1	1													
35-9	206-83330-85-93	REAR FLASHER LAMP ASSY, left	1	1													
35-10	206-83340-85-93	REAR FLASHER LAMP ASSY, right	1	1													
35-11	185-83311-10	BULB (6V-8WG)	2	2													
35-12	183-83313-70	GASKET, flasher lens	2	2													
35-13	183-83332-21	LENS, flasher	2	2													
35-14	183-83333-21	SCREW, lens fitting	4	4													
35-15	249-83316-95-93	COLLAR, flasher	1	1													
35-16	95301-08700	NUT, hexagon	1	1													
35-17	92901-08100	WASHER, spring	1	1													
35-18	95303-08700	NUT, hexagon	1	1													

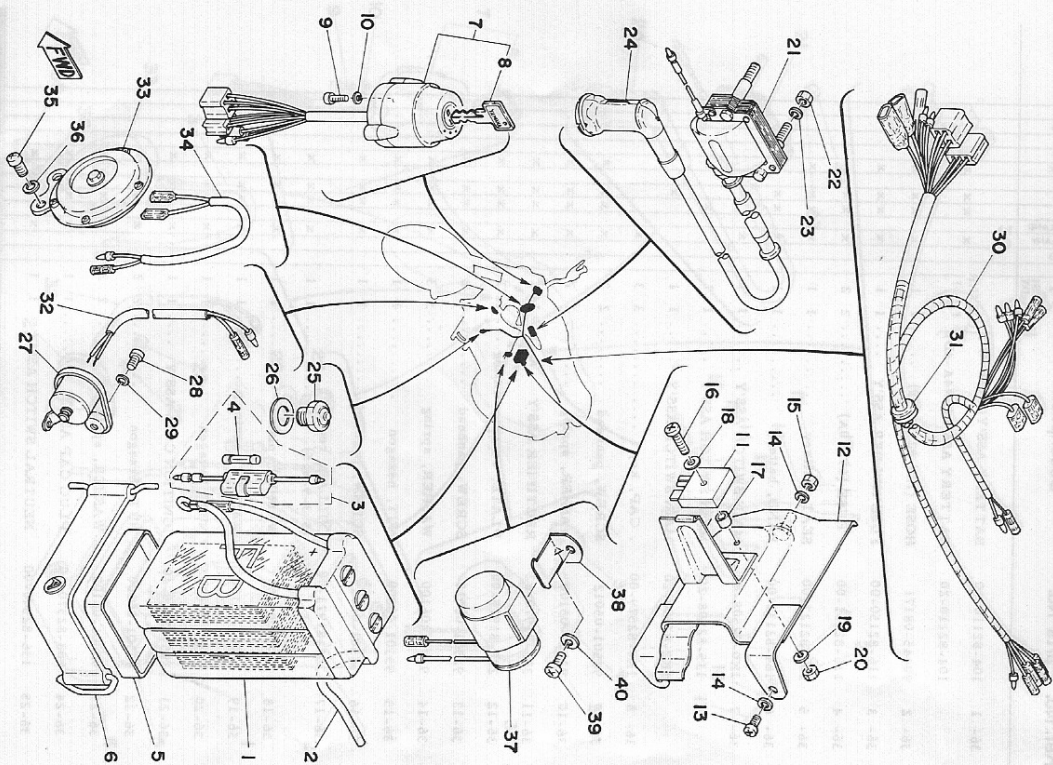
Fig. 36 ELECTRICAL



ELECTRICAL

Ref. No.	Parts No.	Description	Qty		FRANCE	HOLLAND	WEST GERMANY	SWITZERLAND	BELGIUM	FINLAND	DENMARK	KOREA	AUSTRALIA	ENGLAND	ITALY	Remarks
			FR	UK												
36-1	104-82110-10	BATTERY ASS'Y (6NDA-4D)	1	1												
	104-82110-20	BATTERY ASS'Y (6NDA-4D)	1	1												
36-2	90445-08171	HOSE (123-82112-00)	1	1												
36-3	116-82150-00	FUSE HOLDER ASS'Y	1	1												
36-4	116-82151-00	FUSE (6V-10A)	2	2												
36-5	104-82122-00	SEAT, battery	1	1												
36-6	164-82131-00	BAND, battery	1	1												
36-7	1K0-82508-45	MAIN SWITCH ASS'Y	1	1												
	1J5-82508-20	MAIN SWITCH ASS'Y	1	1												
	1K2-82508-20	MAIN SWITCH ASS'Y	1	1												
36-8	1K0-82579-00	CAP. key	3	3												
36-9	98501-05012	SCREW, panhead	2	2												
36-10	92901-05100	WASHER, spring	2	2												
36-11	353-81970-62	RECTIFIER ASS'Y	1	1												
36-12	220-81975-00	PLATE, rectifier (0000)	1	1												
36-13	92501-06010	SCREW, panhead	8	8												
36-14	92901-06100	WASHER, spring	1	1												
36-15	93301-06600	NUT, hexagon	1	1												
36-16	98501-05025	SCREW, panhead	1	1												
36-17	355-81973-00	COLLAR, rectifier (5.3-9-6.5)	1	1												
36-18	92901-05200	WASHER, plain	1	1												
36-19	92901-05100	WASHER, spring	1	1												
36-20	95301-05600	NUT, hexagon	1	1												
36-21	155-82310-40	IGNITION COIL ASS'Y	1	1												
36-22	93301-06600	NUT, hexagon	2	2												
36-23	94901-06100	WASHER, spring	2	2												
36-24	808-84370-10	PLUG CAP ASS'Y	1	1												
36-25	136-82380-00	NEUTRAL SWITCH ASS'Y	1	1												

Fig. 36 ELECTRICAL



ELECTRICAL

Ref. No.	Parts No.	Description	Qty	REMARKS
			(P/N)	
36-26	90430-11014	CABLE	1	X
36-27	122-02330-00	STOP SWITCH ASSY	1	X
36-28	90501-09010	SCREW, panhead	1	X
36-29	92901-09100	WASHER, spring	1	X
36-30	469-02590-20	WIRE HARNESS ASSY	1	X
	471-02590-20	WIRE HARNESS ASSY	1	X
36-31	90480-13016	GROMMET (136-82598-00)	1	X
36-32	471-82531-00	WIRE, lead	1	X
36-33	260-83371-12	HORN	1	X
36-34	260-83373-00	LEAD, horn	1	X
	447-83373-00	LEAD, horn	1	X
36-35	92501-06010	SCREW, panhead	2	X
36-36	92901-06100	WASHER, spring	2	X
36-37	375-83350-30	FLASHER RELAY ASSY	1	X
	IK1-83350-10	FLASHER RELAY ASSY	1	X
36-38	474-83352-00	BRACKET, flasher relay	1	X
36-39	92501-06012	SCREW, panhead	1	X
36-40	92901-06100	WASHER, spring	1	X

Fig. 37 REPAIR KIT

Ref. No.	Parts No.	Description	Q'ty	Applicable P/NL Engine Machine No.	Remarks
37-1	260-11630-00	PISTON ASS'Y (STD)	1s	1s	
	260-11630-10	PISTON ASS'Y (1st O.S.)	1s	1s	
37-2	260-11630-20	PISTON ASS'Y (2nd O.S.)	1s	1s	
	260-11630-30	PISTON ASS'Y (3rd O.S.)	1s	1s	
	260-11630-40	PISTON ASS'Y (4th O.S.)	1s	1s	
37-3	109-11631-02-96	PISTON (39, 96mm STD)	1	U.R	} 3.8
	109-11631-02-98	PISTON (39, 98mm STD)	1	U.R	
37-4	109-11635-02	PISTON (40, 25mm 1st O.S.)	1	1	} 3.8
	109-11635-02	PISTON (40, 50mm 2nd O.S.)	1	1	
37-5	109-11637-02	PISTON (40, 75mm 3rd O.S.)	1	1	} 3.8
	109-11638-02	PISTON (41, 00mm 4th O.S.)	1	1	
37-6	102-11633-01	PIN, piston	1	1	3.9
37-7	93450-13022	CIRCLIP (132-11634-00)	2	2	3.10
37-8	260-11601-00	PISTON RING SET (STD)	1s	1s	} 3.11
	260-11601-10	PISTON RING SET (1st O.S.)	1s	1s	
37-9	260-11601-20	PISTON RING SET (2nd O.S.)	1s	1s	} 3.11
	260-11601-30	PISTON RING SET (3rd O.S.)	1s	1s	
37-10	260-11601-40	PISTON RING SET (4th O.S.)	1s	1s	3.11
37-11	355-11650-00	CONNECTING ROD ASS'Y	1s	1s	
37-12	517-11651-00	ROD, connecting	1	1	3.4
37-13	93310-41810	BEARING, big end	1	1	3.5
37-14	257-11681-00	PIN, crank	1	1	3.6
37-15	93310-11268	BEARING, small end	1	1	3.7
37-16	IK3-00000-20	GASKET KIT	1s	1s	For W. GERMANY
	IK2-00000-20	GASKET KIT	1s	1s	
37-17	471-00000-20	GASKET KIT	1s	1s	For SWEDEN
	109-11351-00	GASKET, cylinder	1	1	

REPAIR KIT

Ref. No.	Parts No.	Description	Q'ty	Applicable P/NL Engine Machine No.	Remarks
37-13	460-11101-00	GASKET, cylinder head	1	1	1-13
37-14	107-11101-01	GASKET, cylinder head	1	1	1-13
37-15	101-11101-00	GASKET, cylinder head	1	1	1-13
37-16	90430-13030	GASKET (132-15353-00)	1	1	1-8
37-17	370-14481-00	GASKET, crankcase cover	1	1	2-12
37-18	407-10461-00	GASKET, carburetor cover	1	1	2-19
37-19	370-13641-60	PACKING	1	1	9-19
37-20	260-14104-00	GASKET, float chamber	1	1	10-5
37-21	132-14613-00	GASKET, exhaust	1	1	11-3
37-22	109-14714-02	GASKET, muffler joint	1	1	11-5
37-23	93220-08002	O-RING (47-50-1.5)	1	1	10-6
37-24	260-00000-60	OIL SEAL KIT	1s	1s	
37-25	93103-25078	OIL SEAL (SW-25-35-10)	1	1	1-21
37-26	93102-20009	OIL SEAL (SD-20-35-7)	1	1	3-13
37-27	93108-15001	OIL SEAL (OSO-15.3-22-7)	1	1	4-19
37-28	257-15389-00	SEAL, push rod	1	1	5-7
37-29	93102-25017	OIL SEAL (SD-25-40-5)	1	1	8-17
37-30	93101-12004	OIL SEAL (S-12-22-8)	1	1	14
37-31	93109-15001	OIL SEAL (800-18-26-6)	1	1	14

NUMERICAL INDEX



Ref No.	Part No.	Ref No.	Part No.	Ref No.	Part No.
10-1	115-14101-00	28-24	109-24571-00	36-1	116-24100-00
9-7	115-14102-00	28-25	109-24587-02	36-4	116-24101-00
11-6	115-14110-00	28-26	109-24589-00	8-18	117-15044-00
13-28	115-21308-00	28-28	109-24618-00	14-12	120-27330-02
13-23	115-21309-00	11-12	109-21113-00	14-13	120-27331-00
13-24	115-21307-00	12-11	109-21320-00	9-3	122-14112-00
19-19	115-24100-00	36-1	104-02110-10	11-2	122-14612-02
23-1	115-24110-00-02	36-1	104-02110-20	8-2	122-15012-02
23-1	115-24110-00-03	36-9	104-02122-00	4-4	122-16104-00
23-1	115-24110-00-04	29-6	104-04114-00	4-19	122-16104-00
23-4	115-24110-00-05	1-13	107-11101-01	16-4	122-21517-00
23-4	115-24161-00	1-11	109-11351-00	13-15	122-21724-00
23-2	115-24244-00	3-8	109-11631-02-96	14-6	122-22151-00
23-3	115-24245-00	3-8	109-11631-02-98	18-23	122-23119-01
24-1	115-24730-00	3-8	109-11635-02	18-24	122-23129-00
36-7	115-82508-20	3-8	109-11636-02	17-21	122-23346-01
14-1	116-22110-00-33	3-8	109-11647-02	18-21	122-23346-01
37-11	1K0-00000-20	3-8	109-11638-02	19-13	122-23441-00
18-1	1K0-23101-30	11-4	109-14713-00	19-12	122-23442-02
18-20	1K0-23340-30-33	11-5	109-14714-02	23-5	122-24181-00
22-20	1K0-25872-00	14-3	109-22141-00	23-13	122-24521-00
29-20	1K0-25872-10	17-6	109-23125-00	23-7	122-24610-01
22-21	1K0-25875-01	17-9	109-23143-00	28-2	122-25304-00
36-7	1K0-82508-45	17-8	109-23145-01	28-3	122-25306-90
36-8	1K0-82579-00	25-2	109-25104-00	28-4	122-25397-90
21-3	1K1-03350-10	25-1	109-25111-00-38	20-20	122-26430-10
36-17	1K1-03350-30	25-13	109-25135-00	20-20	122-26439-11
37-11	1K1-00000-20	25-13	109-25136-00	20-20	122-26540-11
36-7	1K1-02600-20	25-3	109-25196-00	20-20	122-26542-10
21-3	1K1-02973-00	25-4	109-25197-00	20-20	122-26543-10
37-11	1K1-00000-20	26-10	109-26315-00	15-8	122-27413-00
37-21	1K1-00000-60	26-8	109-26341-00	15-8	122-27413-00
3-9	102-11633-01	18-2	109-27115-00	36-27	122-28500-00
26-21	102-11633-01	20-8	109-28200-11-94	31-2	122-28516-10
14-2	102-24123-00	18-14	110-01340-21	32-4	122-28523-30
23-12	102-24123-01	18-9	110-01346-21	10-11	127-14123-00
25-9	102-24117-00	18-18	110-01347-21	10-26	127-14124-23
25-26	102-24117-00	14-6	110-01348-21	10-34	127-14125-00
28-10	102-28118-00	12-11	116-01331-20	10-20	127-14131-00

NUMERICAL INDEX

NUMERICAL INDEX

Ref No.	Parts No.	Ref No.	Parts No.	Ref No.	Parts No.
10-21	127-14133-00	20-16	137-26243-60	34-4	183-83332-21
10-12	127-14134-00	21-12	137-26243-60	34-9	183-83332-21
10-18	127-14137-00	20-3	137-83912-02-38	35-5	183-83332-21
10-2	127-14141-14	20-5	137-83913-01	35-13	183-83332-21
10-2	127-14141-16	20-11	137-83913-01	34-5	183-83333-21
10-3	127-14143-16	20-9	137-83922-02-38	34-10	183-83333-21
10-3	127-14143-17	13-17	141-21717-00	35-6	183-83333-21
10-3	127-14143-18	25-22	141-25138-00	35-14	183-83333-21
10-3	127-14143-20	20-15	150-26249-00	33-6	183-83333-71
10-3	127-14143-21	29-2	150-84153-00	33-16	183-83333-71
10-3	127-14143-22	30-2	150-84153-00	19-9	185-23435-00-98
10-3	127-14143-22	10-29	152-14174-00	34-2	185-83311-10
10-3	127-14143-22	10-28	156-14133-00	34-7	185-83311-10
10-3	127-14143-23	8-6	156-15618-01	35-3	185-83311-10
10-3	127-14143-34	23-8	156-21766-00	35-11	185-83311-10
10-3	127-14143-36	19-4	156-23411-00	29-4	195-84315-01
10-3	127-14143-38	19-2	156-23412-00	29-5	195-84320-00
10-25	127-14161-00	2-5	164-15415-00	29-8	195-84324-00
28-37	127-25388-00	6-12	164-18561-00	29-9	195-84325-00
32-6	127-84524-30	19-1	164-23462-00	30-11	195-84325-00
2-23	129-15689-10	21-29	164-26363-00	17-12	196-23191-40
4-6	131-16521-00	36-6	164-82131-00	18-19	205-23111-40
11-3	132-14613-00	21-32	168-83926-01	24-9	206-24830-00
5-20	132-15653-00-10	29-14	173-84313-00	34-6	206-83330-35-93
5-20	132-15653-00-12	30-16	173-84313-00	35-9	206-83330-85-93
5-20	132-15653-00-14	16-8	174-21518-00-93	35-10	206-83340-85-93
8-11	132-15664-00	10-23	180-14158-00	17-18	207-23112-00
6-16	132-15676-00	10-24	180-14158-00	18-18	207-23112-00
7-10	132-18113-01	14-7	180-22117-00	17-16	207-23112-00
20-1	132-26111-01	19-5	183-23411-00	17-10	207-23117-00
20-24	132-26341-10	20-1	183-23412-00	17-10	207-23124-01
10-14	134-14116-03	33-5	183-83312-70	17-5	207-23134-01
19-7	136-23415-00	33-4	183-83313-70	17-4	207-23147-00
20-13	136-26241-00	34-3	183-83313-70	17-15	207-23165-00
36-25	136-82540-00	34-8	183-83313-70	18-15	207-23165-00
4-11	137-16356-00	35-4	183-83313-70	15-1	207-27111-00
20-14	137-26242-60	35-12	183-83313-70	12-4	207-81312-21

Ref No.	Parts No.	Ref No.	Parts No.	Ref No.	Parts No.
12-6	207-81311-21	5-22	257-15651-01	3-11	260-11601-20
21-16	207-81311-20	8-18	257-15668-00	3-11	260-11601-30
13-19	209-23122-40	3-16	257-16111-00	3-11	260-11601-40
17-14	209-23122-40	4-2	257-16150-01	37-1	260-11610-00
17-13	209-23142-40	4-1	257-16301-01	37-1	260-11610-10
18-12	209-23142-40	4-7	257-16324-00	37-1	260-11610-20
17-7	209-23150-41	4-21	257-16341-00	37-1	260-11610-30
24-10	212-24832-00	4-18	257-16342-00	37-1	260-11610-40
24-11	212-24833-00	4-8	257-16351-00	10-20	260-11611-00
21-4	214-82910-02	4-17	257-16397-00	10-13	260-11611-20
21-6	214-83912-00	4-9	257-16397-00	10-9	260-11611-30
21-8	214-83913-00	5-4	257-17121-00	10-5	260-11614-00
31-4	237-83523-00	5-18	257-17219-00	17-1	260-23101-11-35
29-7	241-84312-00	5-14	257-17221-01	17-1	260-23101-31-35
29-1	241-84330-00-33	5-16	257-17231-00	17-19	260-23111-40
30-1	241-84330-00-33	5-12	257-17241-00	17-23	260-23121-40-33
35-15	249-83316-95-93	5-1	257-17411-01	18-25	260-23121-40-33
20-28	253-26290-20	5-11	257-17421-01	17-2	260-23126-40-33
4-24	254-15631-00	5-28	257-17461-10	17-24	260-23131-40-33
1-14	257-11111-01-94	5-28	257-17461-20	18-26	260-23131-40-33
1-12	257-11311-00	5-28	257-17461-30	17-3	260-23136-40-35
3-2	257-11412-01	5-9	257-17471-01	17-22	260-23138-40
3-3	257-11423-00	7-1	257-18101-01	18-22	260-23138-40
3-6	257-11601-00	7-9	257-18111-00-91	17-20	260-23140-30-33
9-1	257-14401-00-13	6-3	257-18181-01	17-20	260-23140-40-33
9-8	257-14417-00	6-19	257-18181-01	17-20	260-23140-40-33
9-8	257-14417-00	6-1	257-18181-01	17-20	260-23140-40-33
9-8	257-14417-00	6-7	257-18181-01	17-20	260-23140-40-33
1-1	257-18111-01	41-33	257-26290-20	20-24	260-23141-00
2-1	257-18181-01	18-3	257-27111-00-91	20-24	260-23141-00
2-1	257-18181-01	18-3	257-27111-00	19-7	260-27411-00
2-18	257-18181-01	18-3	257-27111-00	13-26	260-28010-10
2-10	257-18181-01	18-8	257-27111-00-22	34-1	260-83310-35-93
2-24	257-18181-01	6-8	257-18181-01	36-33	260-83371-12
2-19	257-18181-01	1-11	260-11601-00	36-34	260-83372-00
8-1	257-18181-01	1-11	260-11601-10	31-1	260-83350-11

NUMERICAL INDEX

NUMERICAL INDEX

Ref No.	Parts No.	Ref No.	Parts No.	Ref No.	Parts No.
31-3	260-83520-11	30-8	308-84135-21	23-18	355-24518-01
31-8	260-83550-00	9-16	314-13613-00	23-17	355-24523-00
29-3	260-84110-00	9-15	314-13616-01	23-16	255-24524-01
29-6	260-84114-40	2-17	315-15362-01	23-15	355-24535-00
29-7	260-84116-40	25-17	326-25330-10	28-16	355-25320-00
32-3	260-84514-40	38-19	326-25330-10	36-17	355-81973-00
20-29	266-26290-00	22-2	341-20000-10	36-21	355-82310-40
20-28	266-26290-10	26-14	341-25137-00	28-1	357-25311-00
10-17	283-14112-25	26-12	341-25149-00	28-29	357-25381-01
9-7	283-14453-00	26-13	341-25846-00	22-2	360-20000-10
13-22	283-21717-00	22-11	341-25852-00	22-1	360-25850-00
28-28	283-25444-10	22-13	341-25854-00	22-11	360-25852-00
20-1	283-26111-00	22-12	341-25855-00	22-13	360-25854-00
10-19	287-14136-00	22-14	341-25867-00	22-12	360-25855-01
2-21	288-14481-01	21-5	341-82911-00	22-19	360-25862-00
30-4	290-84115-21	5-28	347-17451-90	21-18	360-83922-01
30-9	290-84124-21	11-1	348-14611-00	23-10	363-14137-00
11-7	296-14753-02	11-7	348-14753-00	26-24	367-25381-00
28-24	296-25366-00	10-14	351-26259-00-98	36-37	375-83350-30
15-11	296-27231-00	10-14	351-14116-02	1-12	375-84521-41
12-10	296-81332-20	10-30	353-14138-00	9-20	378-11311-60
12-7	296-81332-20	18-13	353-23122-90	9-14	378-13555-60
10-32	304-14261-00	18-14	353-23132-90	9-19	378-13610-61
28-15	304-25364-00	12-7	353-81970-62	11-6	378-13621-60
8-16	305-15660-02	36-11	353-81970-62	1-2	378-14210-20
8-8	305-15641-00	20-2	353-82910-01	1-22	378-15321-60
26-22	306-25136-00	33-1	353-83310-50-93	2-11	378-15421-60
27-9	306-25829-00	33-7	353-83316-30	2-12	378-15451-60
22-19	306-25862-00	33-2	353-83320-50-93	1-13	381-11881-60
22-26	306-25981-00	33-8	353-83326-30	1-12	381-11311-60
21-11	306-26242-10	35-8	353-83326-30	11-6	381-14270-60
33-14	306-83313-40	3-1	355-11400-00	12-1	381-81300-20
33-15	306-83332-40	3-1	355-11400-00	12-4	381-81312-20
17-17	307-23114-00	37-6	355-11650-00	12-5	381-81313-20
18-17	307-23114-00	10-4	355-14185-00	12-16	381-81315-20
21-13	307-26281-00	13-1	355-21110-01-33	12-2	381-81350-20
21-14	307-26282-00	17-11	355-23141-91	30-3	381-84103-91
33-3	308-83311-30	23-11	355-24515-00		
33-13	308-83311-30				

Ref No.	Parts No.	Ref No.	Parts No.	Ref No.	Parts No.
30-7	381-84114-91	35-2	420-83320-30-93	16-1	471-21510-00-91
30-6	381-84114-90	32-7	420-84551-40-35	16-11	471-21610-00-91
30-5	381-84120-91	32-7	420-84551-50-35	16-11	471-21610-10-91
30-10	381-84154-90	18-11	428-23191-00	16-17	471-21613-00
23-4	388-24161-00	12-8	437-81321-20	24-7	471-24770-01-83
26-1	390-25111-00	36-34	447-83373-00	24-7	471-24770-01-87
26-19	390-25191-00	20-2	448-82910-21	24-7	471-24770-01-91
27-2	390-25412-00	25-28	451-25181-01	24-7	471-24770-01-96
27-1	390-25711-00	27-5	464-20000-11	16-34	471-84511-00
21-3	393-83973-01	13-14	467-21711-00-83	16-30	471-84590-80
13-18	394-21721-00-F3	13-14	467-21711-00-87	20-8	471-84710-00
13-18	394-21721-00-K7	13-14	467-21711-00-91	13-21	471-84517-00
13-18	394-21721-00-Y1	13-14	467-21711-00-26	13-1	473-21110-01-33
25-14	394-25120-00	23-6	467-24184-00	14-1	474-22110-00-33
20-21	394-26311-00	1-13	468-1181-00	28-2	474-25304-40
20-21	394-26311-10	10-1	468-14101-11	28-3	474-25396-90
20-21	394-26311-20	13-1	468-21110-40-33	28-4	474-25397-90
10-22	395-14121-00	16-11	468-21610-40-93	33-11	474-83330-30-93
10-27	395-14171-00	14-15	468-22210-20	33-12	474-83340-30-93
18-5	395-23145-00	14-8	468-22311-40-35	36-38	474-83352-00
18-7	395-23146-00	15-27	468-23480-00	31-5	477-83519-00-98
18-8	395-23156-00	24-1	468-24730-01	26-30	478-25127-00
28-29	401-25181-00	24-2	468-24731-00	25-32	478-25327-00
27-6	404-20000-80	20-2	468-82710-90	16-5	481-21510-01-93
27-8	404-20000-81	29-5	468-84103-40	18-4	481-23124-00
22-27	404-25871-01	13-1	469-81110-20-33	18-2	481-23126-09
22-24	404-25876-00	36-30	469-81990-80	18-3	481-23131-09
10-16	405-14114-00	20-27	469-81384-00	16-8	481-23138-00
20-28	407-26290-50	21-34	469-81384-00	16-20	481-23138-00
20-29	407-26290-60	9-20	470-13585-60	16-3	481-23138-00
21-36	407-26290-60	10-17	470-14113-10	16-4	481-23138-00
22-1	413-25850-20	9-20	471-13595-60	16-1	481-23138-00
22-7	416-25871-40	10-1	471-14101-01	11-8	481-81550-00
21-1	416-26111-20	10-1	471-14101-20	1-19	498-49371-00
15-1	440-81310-30-93	2-11	471-15420-60	3-4	517-11651-00

NUMERICAL INDEX

NUMERICAL INDEX

Ref No.	Parts No.	Ref No.	Parts No.	Ref No.	Parts No.
16-16	526-21621-00	20-22	90170-10038	31- 6	90209-05029
25-19	538-25155-00	3-18	90170-12060	32-17	90209-06095
25-16	538-25351-00	4-12	90170-12060	19-11	90209-10021
28-18	538-25351-00	3-19	90170-12175	8- 4	90209-10108
28-21	538-25355-00	28-38	90170-18165	5-29	90215-13019
13- 6	596-21138-00-33	25-31	90171-10004	5-29	90215-13025
13- 7	596-21191-00-33	28-39	90171-10004	6-10	90249-04039
14-15	596-22210-20	25-31	90171-10014	15-16	90249-12008
18- 1	596-23101-00	28-39	90171-10014	6- 4	90250-06013
18- 9	596-23117-00	26-29	90171-12005	3-22	90280-03017
18-10	596-23141-00	28-39	90171-12005	6- 6	90334-10006
18-20	596-23340-00-33	26-29	90171-12015	20- 7	90338-07011
21-27	596-26311-20	14-21	90176-10013	13-25	90338-07043
21-28	596-26335-20	14-21	90176-10013	16-21	90338-07043
23-14	603-24531-01	13-16	90179-06036	21-33	90338-09012
10-31	637-14173-00	20-26	90179-06143	18-27	90338-16061
36-24	808-82370-10	15-17	90179-06176	6-15	90338-26008
25-20	90101-06278	21-31	90179-08148	32-12	90387-06241
28-22	90101-06278	5-30	90179-12016	32-18	90387-07330
27-10	90101-08245	5-30	90179-12181	25-29	90387-10081
15- 9	90101-08246	19- 8	90179-25051	26-27	90387-12272
16- 6	90101-08281	32-13	90201-06059	28-31	90387-12412
13- 2	90101-08285	22-18	90201-10118	5-13	90387-16127
14-16	90101-10255	25-30	90201-10123	5-26	90387-17137
19-10	90105-10006	14-19	90201-10140	3-15	90387-17139
6-17	90109-06001	14-17	90201-12175	28-36	90387-18143
28-26	90109-08057	14-17	90201-12175	22-17	90401-10034
28-45	90109-08183	14-18	90201-12190	36-26	90430-11034
27- 3	90109-08367	3-21	90201-12535	1-18	90430-12038
4-23	90113-06009	7- 7	90201-12575	10-37	90445-05013
1-10	90116-06026	5-23	90201-13202	10-36	90445-05015
20-25	90123-06011	4- 3	90201-23315	36- 2	90445-08171
21-30	90123-08013	26-15	90201-25286	1-20	90446-07009
21-24	90146-06005	26-17	90201-25490	20-17	90462-06009
4- 9	90149-05057	5-21	90206-15021	23- 9	90467-08003
7- 4	90149-08094	3-17	90208-12015	31- 7	90468-10050
21-25	90170-06010	4-13	90208-12015	28-48	90468-12007
28-27	90170-08157				

Ref No.	Parts No.	Ref No.	Parts No.	Ref No.	Parts No.
0-17	90468-26048	36-13	92501-06010	28-42	92901-06100
25-18	90480-10068	36-35	92501-06010	32- 9	92901-06100
28-17	90480-10068	5-10	92501-06012	32-14	92901-06100
2-16	90480-12012	16-18	92501-06012	36-14	92901-06100
12-22	90480-12013	22-22	92501-06012	36-23	92901-06100
36-31	90480-13016	36-39	92501-06012	36-36	92901-06100
32-19	90480-14102	1-23	92501-06015	36-40	92901-06100
12-15	90480-16110	9-21	92501-06015	1-16	92901-06800
15-15	90501-10245	2-20	92501-06018	16-19	92901-06800
21-26	90501-10312	10- 8	92901-06018	19-14	92901-06800
4-10	90501-20122	1- 4	92901-06030	16-18	92901-06800
8- 3	90504-10005	2-14	92901-06030	19-18	92901-06800
2-22	90506-06095	2- 8	92901-06040	28-20	92901-06800
2- 3	90506-07066	2-15	92901-06040	28-43	92901-06800
7- 2	90506-09009	1- 5	92901-06045	9-13	92901-06100
6-18	90506-09112	2- 7	92901-06045	11-10	92901-06100
25-18	90506-16034	1- 6	92901-06080	13- 8	92901-06100
28-20	90506-16034	2- 9	92901-06080	13-14	92901-06100
15-12	90506-20041	1- 9	92901-06085	19-10	92901-06100
15- 6	90506-29054	1- 7	92901-06088	16- 3	92901-06100
8-12	90508-26136	1- 8	92901-06088	16- 7	92901-06100
7- 3	90508-32207	13-29	92901-06088	16-13	92901-06100
26- 9	90560-12138	9-17	92901-06100	24-13	92901-06100
28- 9	90560-12145	6-14	92901-06100	27-11	92901-06100
4-14	90560-17150	11- 8	92901-06100	28-47	92901-06100
10-15	91401-12010	14-11	92901-06100	29-14	92901-06100
21-23	91401-12015	36-10	92901-06100	30-14	92901-06100
10-33	91401-16015	36-19	92901-06100	33- 9	92901-06100
15-13	91401-20012	36-29	92901-06100	34-11	92901-06100
28-50	91401-20012	21-21	92901-06200	35-17	92901-06100
25-33	91401-20020	32-24	92901-06200	24- 4	92901-06600
28-53	91401-20020	36-18	92901-06200	28-49	92901-06600
28-53	91401-30022	13- 9	92901-06100	14- 5	92901-10100
26-25	91401-30025	16- 9	92901-06100	19-17	92901-10100
13-21	91401-50075	20-19	92901-06100	14-17	92901-10200
2-13	91810-02015	21- 9	92901-06100	19-18	92901-10600
1- 3	91810-05016	22-16	92901-06100	3-20	92901-12100
2- 4	91810-21014	22-23	92901-06100	26-23	92901-12600
20-18	92901-06008	22-25	92901-06100	33-19	92903-06100

NUMERICAL INDEX

NUMERICAL INDEX

Ref. No.	Parts No.	Ref. No.	Parts No.	Ref. No.	Parts No.
33-18	92903-06200	15-4	93430-12008	28-52	94604-20001
29-11	92903-08200	8-5	93440-10028	1-24	94701-00039
30-13	92903-08200	5-3	93440-16030	11-9	95301-05600
7-6	93101-12004	5-15	93440-16030	20-6	95301-05600
3-13	93102-20009	6-8	93440-32017	20-12	95301-05600
5-27	93102-25017	3-10	93450-13022	32-23	95301-05600
1-21	93103-25078	4-20	93501-04011	36-20	95301-05600
25-24	93104-07003	19-3	93501-04011	21-22	95301-05900
28-12	93104-21016	4-16	93503-16010	1-15	95301-06600
26-18	93105-45017	6-9	93604-22050	16-10	95301-06600
25-11	93106-20001	6-20	93605-20043	16-20	95301-06600
26-26	93106-20002	25-27	93700-06004	25-21	95301-06600
28-35	93106-30004	25-6	94122-17008	28-23	95301-06600
25-12	93107-42001	26-8	94122-17008	28-41	95301-06600
4-19	93108-15001	28-6	94125-17012	32-15	95301-06600
8-9	93109-15001	25-6	94125-17141	33-20	95301-06600
25-25	93210-14104	26-8	94125-17141	36-15	95301-06600
28-14	93210-41041	28-6	94127-17137	36-22	95301-06600
10-6	93220-08002	25-7	94222-17003	4-22	95301-06700
28-33	93306-00406	26-7	94222-17003	21-10	95301-06700
25-10	93306-20203	25-7	94225-17005	32-8	95301-06800
5-8	93306-20303	26-7	94225-17005	7-5	95301-08600
3-14	93306-20418	28-7	94225-17005	11-11	95301-08600
28-11	93306-30101	28-7	94227-17032	13-13	95301-08600
26-11	93306-30103	26-6	94320-17019	23-19	95301-08600
28-13	93306-30103	25-8	94326-17019	24-6	95301-08600
3-12	93306-30302	25-8	94330-17023	28-16	95301-08700
5-25	93306-30305	26-6	94330-17023	29-13	95301-08700
3-7	93310-11268	28-8	94330-17023	30-15	95301-08700
3-5	93310-41810	25-5	94412-17002	34-12	95301-08700
5-6	93410-13004	28-5	94414-17003	35-16	95301-08700
5-19	93410-13004	26-5	94414-17090	14-4	95301-10600
5-24	93410-13004	25-5	94416-17096	19-16	95301-10600
8-10	93410-15005	26-5	94416-17149	14-14	95301-12700
8-14	93410-25017	28-5	94418-17109	10-35	95302-05600
28-34	93420-42007	28-51	94504-20094	9-5	95303-06800
6-11	93430-03014	28-51	94504-20096	32-20	95303-06800
6-5	93430-08006	28-51	94504-20098	33-10	95303-08700
7-8	93430-10016	28-51	94504-20102	35-18	95303-08700

Ref. No.	Parts No.	Ref. No.	Parts No.	Ref. No.	Parts No.
14-20	96104-18000	20-4	98503-05020		
21-20	96601-06100	20-10	98503-05020		
25-21	96601-06100	9-18	98512-03008		
28-23	96601-06100	19-20	98601-05012		
9-18	96701-08100	12-17	98701-05018		
13-4	95701-08100				
9-11	95821-08080				
9-10	95821-08100				
13-3	95821-08120				
13-8	97301-06014				
32-10	97301-06020				
32-16	97301-06020				
21-19	97301-06030				
9-4	97301-06087				
16-2	97301-08012				
13-10	97301-08015				
16-12	97301-08015				
24-3	97301-08015				
24-12	97301-08015				
13-11	97301-08030				
21-7	97303-06020				
33-17	97303-06030				
29-10	97303-08018				
30-12	97303-08018				
8-7	97311-06018				
19-14	97311-06018				
16-14	97321-06018				
7-11	97321-06020				
22-15	97321-06038				
2-6	98501-04006				
9-9	98501-04008				
14-9	98501-05008				
21-17	98501-05008				
36-28	98501-05010				
6-13	98501-05012				
16-9	98501-05012				
21-18	98501-05015				
14-10	98501-05020				
36-16	98501-05025				