



YAMAHA

PARTS CATALOGUE

SA50-M (3W9)

103W9-300E1

FOREWORD

This Parts Catalogue is related to the parts in use for the Yamaha SA 50-M (3W9).
When you are ordering replacement parts for the SA 50-M (3W9), refer to this Parts Catalogue and quote both part numbers and part names correctly.

1. Modifications or add-ons which have been made after issue of this Catalogue are not included in the Yamaha Parts News. If it is advisable that according to the Yamaha Parts News, you may want to have the Parts Catalogue on hand to keep it up to date.

2. Abbreviations

The following abbreviations are used in this Parts Catalogue:

- Q.R. the size (thickness) and/or number as required
- Q.N. the as many as you need
- A.P. Alternate Parts
- L.M. Local Made
- F.N. Frame No. (Applicable maximum 100)

3. The parts marked with (L) in the parts number column of this Catalogue are not supplied with by Yamaha, those have to be found locally.

4. Parts, which are re-supplied in the form of assemblies, are listed with an indentation of one letter's space, and a dot (.) is put against the name of each part.

EXAMPLE

- CARBURETOR ASS'Y
- JET, pilot
- NOZZLE, main

5. Indication of No. of constituent parts for assembly

The numeral appearing to the right of each constituent part under the quantity of such parts for each individual assembly unit.

EXAMPLE

Part No.	Description
2F5-83310-60	FRONT FLASHER LIGHT ASS'Y
115-83311-60	BULB (6V 18W)
1M1-83309-60	REFLECTOR



6. Initial Serial No. and Color Code

Frame Serial No.	Color Code
2T4 520101 ~ and following	
2T4 520101 ~ and following	



Color Code	Color Name	Abbreviate
26	Competition Yellow	CPY
3G	Milky Brown	MKB
8F	Urban Blue	UBB

7. Available colors of graphics are represented in the "Remarks" column by the letter(s) already picked out of the full word(s) showing such colors.

EXAMPLE

No.	Description	Q'ty	Remarks
26	FRONT FLASHER LIGHT COMP.	1	MAXIM RED
3U	FRONT FLASHER LIGHT, fuel tank set	1	for MKB

FOREWORD

This Parts Catalogue is related to the parts in use for the Yamaha SA 50-M (3W9).

When you are ordering replacement parts for the SA 50-M (3W9), refer to this Parts Catalogue and quote both part numbers and part names correctly.

1. Modifications or additions which have been made after issue of the Parts Catalogue will be announced in the Yamaha Parts News.
It is advisable that according to the Yamaha Parts News you make necessary corrections to the Parts Catalogue on hand to keep it up-to-date.

2. Abbreviations

The following abbreviations are used in this Parts Catalogue.

- U.R. Use size (thickness) and/or number as required.
- U.N. Use as many as you need.
- A.P. Alternate Parts
- L.M. Local Made
- F# Frame No. (Applicable machine No.)

3. The parts marked with (*) in the parts number column of this Catalogue are not supplied with by Yamaha, those have to be found locally.
4. Parts, which are to be supplied in the form of assemblies, are listed with an indentation of one letter's space, and a dot (.) is put against the name of each part.

EXAMPLE CARBURETOR ASS'Y
 . JET, pilot
 . NOZZLE, main

5. Indication of No. of constituent parts for assembly

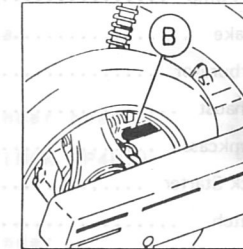
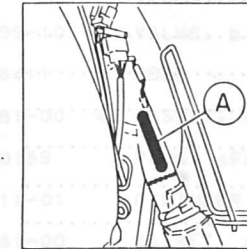
The numeral appearing to the right of each constituent part under the description indicates the quantity of such parts for each individual assembly unit.

EXAMPLE

Part No.	Description	Q'ty	Remarks
2F5-83310-60	FRONT FLASHER LIGHT ASS'Y	2	
115-83311-60	. BULB (6V-18W)	1	
1M1-83309-60	. REFLECTOR	1	

6. Initial Serial No. and Color Code

Ⓐ	Frame Serial No.	2T4-520101 ~ and following
Ⓑ	Engine Serial No.	2T4-520101 ~ and following



Color Code	Color Name	Abbreviate
26	Competition Yellow	CPY
3G	Milky Brown	MKB
9F	Urban Blue	UBB

7. Applicable colors of graphics are represented in the "Remarks" column by the letter(s) appropriately picked out of the full word(s) showing such colors.

EXAMPLE

Part No.	Description	Q'ty	Remarks
2N4-24110-00-X5	FUEL TANK COMP.	1	MAXIM RED
3J1-24240-10	. GRAPHIC, fuel tank set	1	for MXR

CONTENTS

ENGINE

Fig. 1	Cylinder	1
Fig. 2	Crankshaft · Piston	2
Fig. 3	C.D.I Magneto	3
Fig. 4	Air Shroud Fan	4
Fig. 5	Oil Pump	5
Fig. 6	Intake	6
Fig. 7	Carburetor	7
Fig. 8	Exhaust	9
Fig. 9	Crankcase	10
Fig. 10	Kick Starter	11
Fig. 11	Clutch	12
Fig. 12	Transmission	13

CHASSIS

Fig. 13	Frame	14
Fig. 14	Front Fender · Rear Fender	15
Fig. 15	Side Cover	16
Fig. 16	Oil Tank	17
Fig. 17	Rear Suspension	18
Fig. 18	Front Fork	19
Fig. 19	Fuel Tank	20
Fig. 20	Seat	21
Fig. 21	Front Wheel	22
Fig. 22	Rear Wheel	23
Fig. 23	Handle bar · Cable	24
Fig. 24	Cowling	25
Fig. 25	Stand · Footrest	26
Fig. 26	Leg Shield	27
Fig. 27	Speedometer	28
Fig. 28	Headlight	29
Fig. 29	Taillight	30
Fig. 30	Electrical 1	31

Fig. 31	Handle Switch · Lever	32
---------	-----------------------------	----

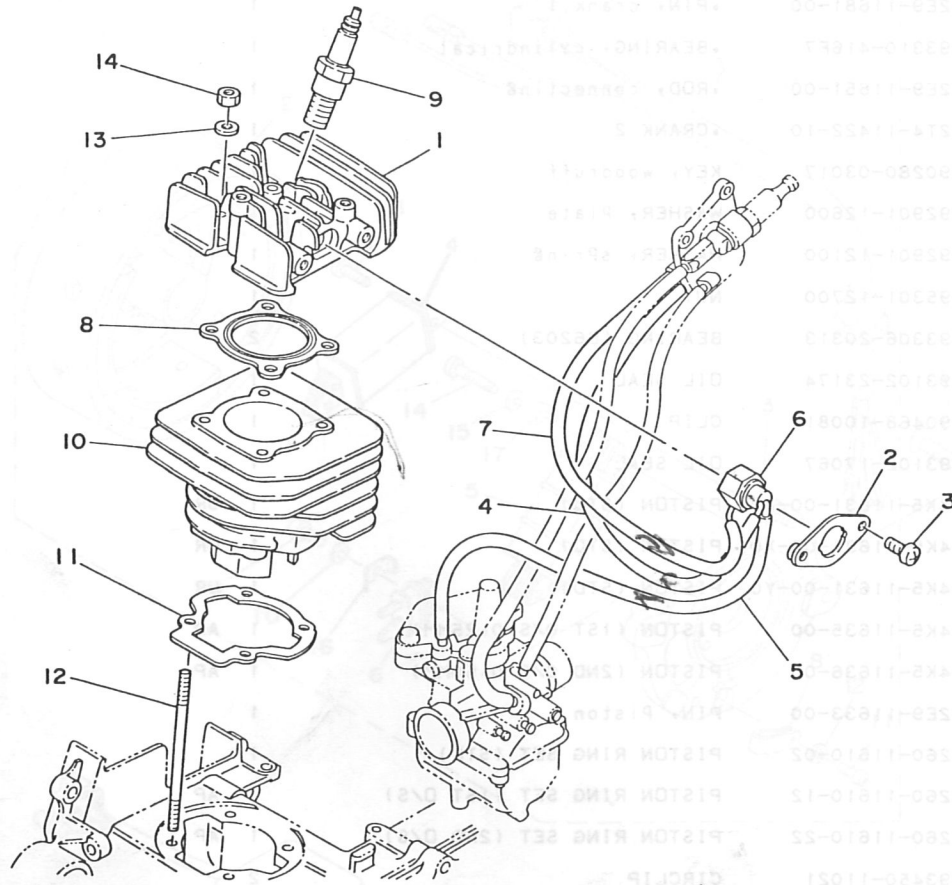
REPAIR KIT

Fig. 32	Repair Kit	33
---------	------------------	----

INDEX

Numerical Index
Parts Name Index

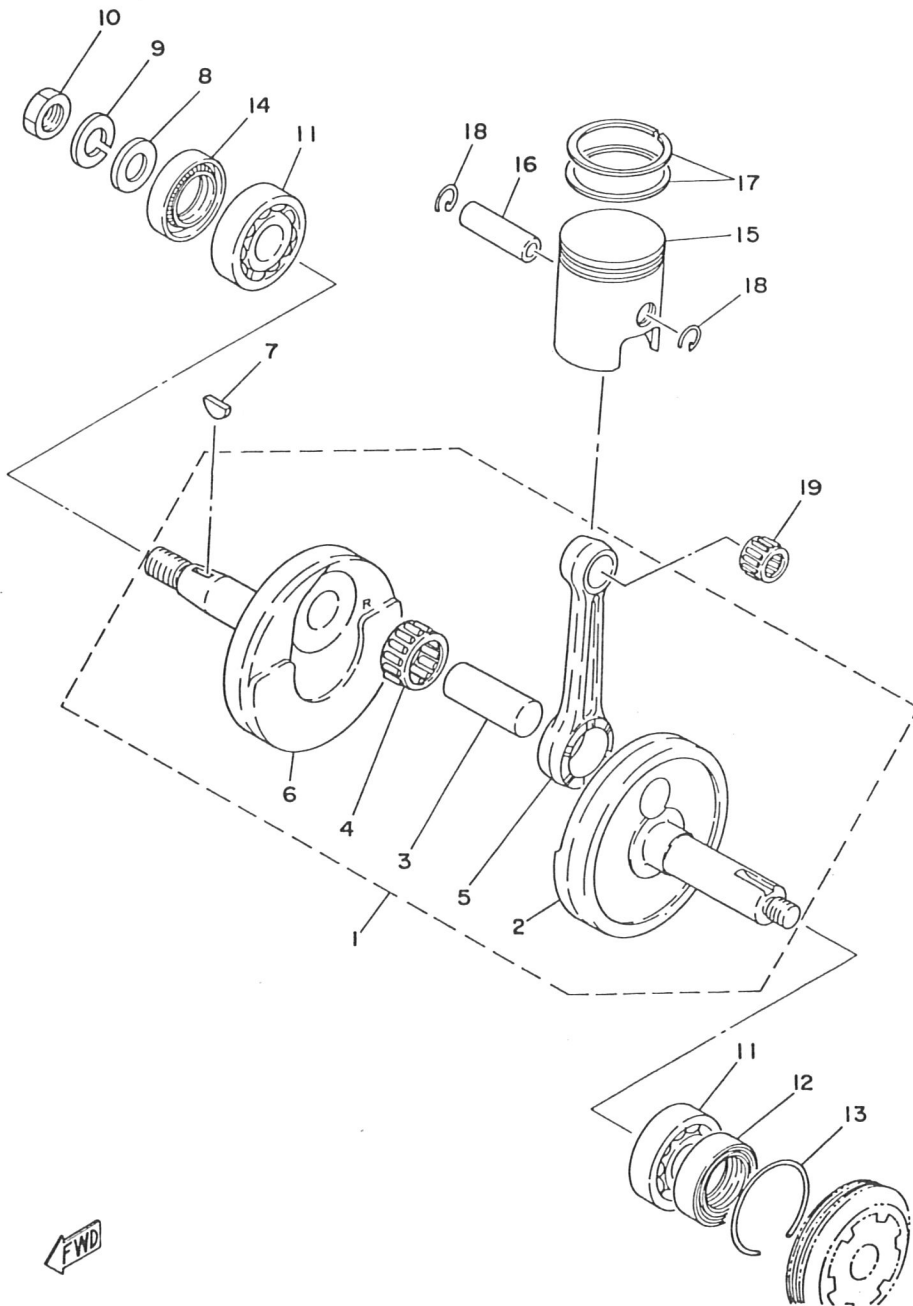
FIG. 1 CYLINDER



REF. NO.	PART NO.	DESCRIPTION	Q'TY	REMARKS
1	2T4-11111-10	HEAD, cylinder 1	1	
2	2T4-1111F-00	PLATE	1	
3	92501-06012	SCREW, Pan head	2	
4	90445-08388	HOSE	1	
5	90445-08389	HOSE	1	
6	2T4-14399-02	VALVE, bimetal	1	UR STD
	2T4-14399-10	VALVE, bimetal	1	AP
7	90445-08411	HOSE	1	
8	517-11181-00	GASKET, cylinder head 1	1	
9	94703-00159	PLUG, sPark (NGK BP4HS)	1	
10	2T4-11311-01	CYLINDER 1	1	
11	2E9-11351-00	GASKET, cylinder	1	
12	90116-06269	BOLT, stud	4	
13	90201-06643	WASHER, Plate	4	
14	95301-06600	NUT	4	

FWD

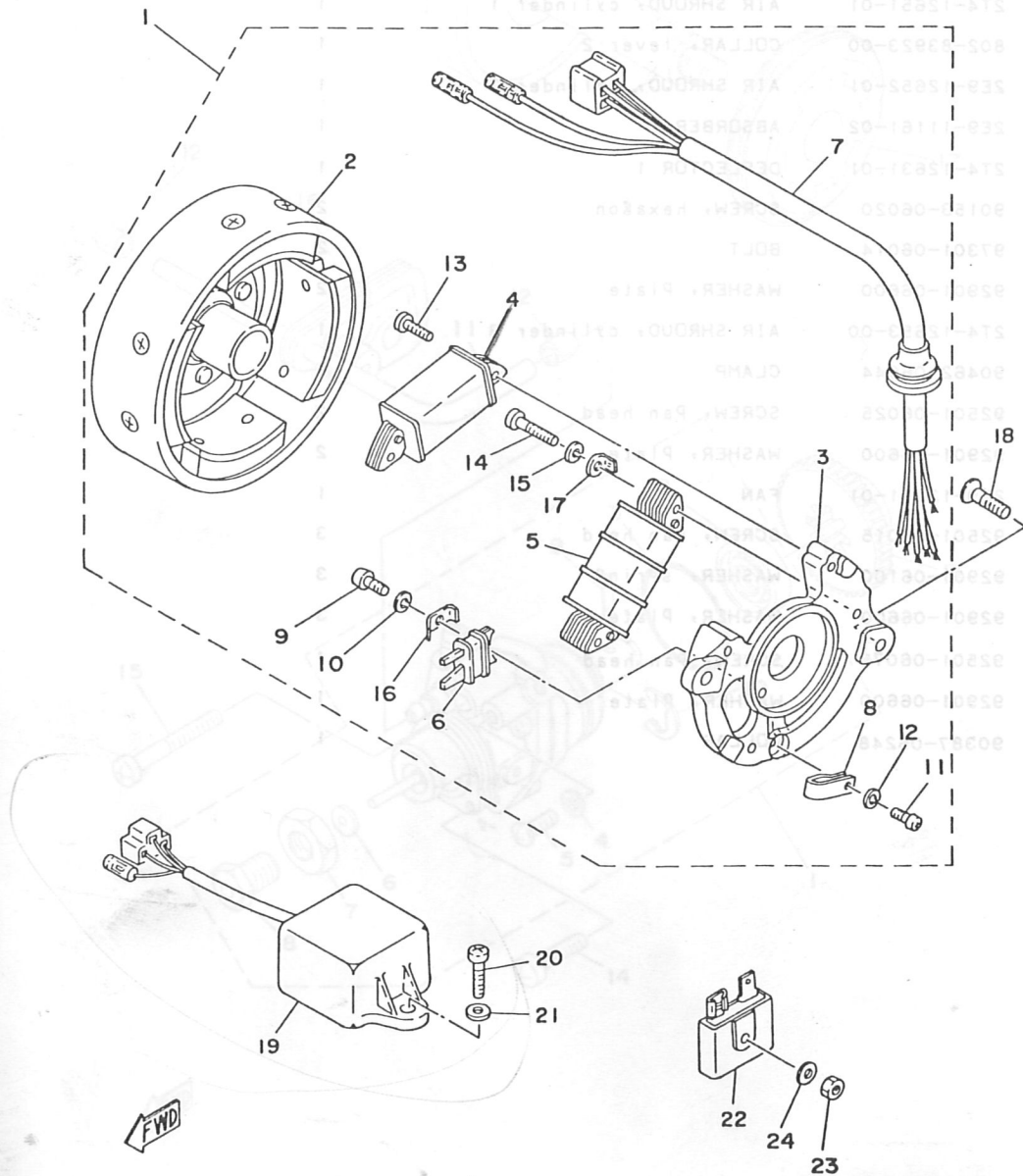
FIG. 2 CRANKSHAFT-PISTON



REF. NO.	PART NO.	DESCRIPTION	Q'TY	REMARKS
1	2T4-11400-10	CRANKSHAFT ASSY	1	
2	2T4-11412-10	.CRANK 1	1	
3	2E9-11681-00	.PIN, crank 1	1	
4	93310-416F7	.BEARING, cylindrical	1	
5	2E9-11651-00	.ROD, connecting	1	
6	2T4-11422-10	.CRANK 2	1	
7	90280-03017	KEY, woodruff	1	
8	92901-12600	WASHER, Plate	1	
9	92901-12100	WASHER, sPring	1	
10	95301-12700	NUT	1	
11	93306-20313	BEARING (B6203)	2	
12	93102-23174	OIL SEAL	1	
13	90468-10081	CLIP	1	
14	93102-17067	OIL SEAL	1	
15	4K5-11631-00-A0	PISTON (STD)	1	UR
	4K5-11631-00-X0	PISTON (STD)	1	UR
	4K5-11631-00-Y0	PISTON (STD)	1	UR
	4K5-11635-00	PISTON (1ST O/S 0.25MM)	1	AP
	4K5-11636-00	PISTON (2ND O/S 0.50MM)	1	AP
16	2E9-11633-00	PIN, Piston	1	
17	260-11610-02	PISTON RING SET (STD)	1	
	260-11610-12	PISTON RING SET (1ST O/S)	1	AP
	260-11610-22	PISTON RING SET (2ND O/S)	1	AP
18	93450-11021	CIRCLIP	2	
19	93310-21038	BEARING, cylindrical	1	

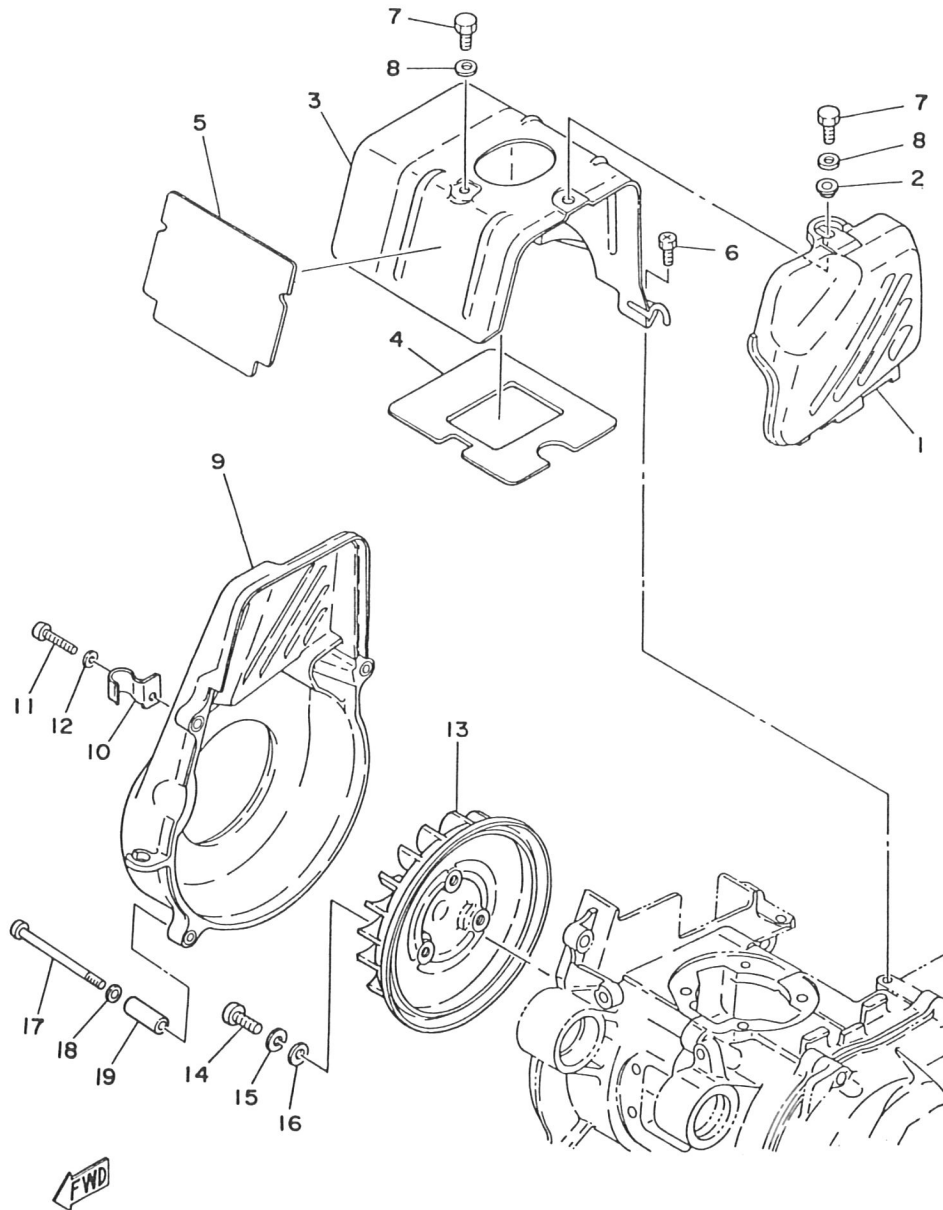
FWD

FIG. 3 C.D.I MAGNETO



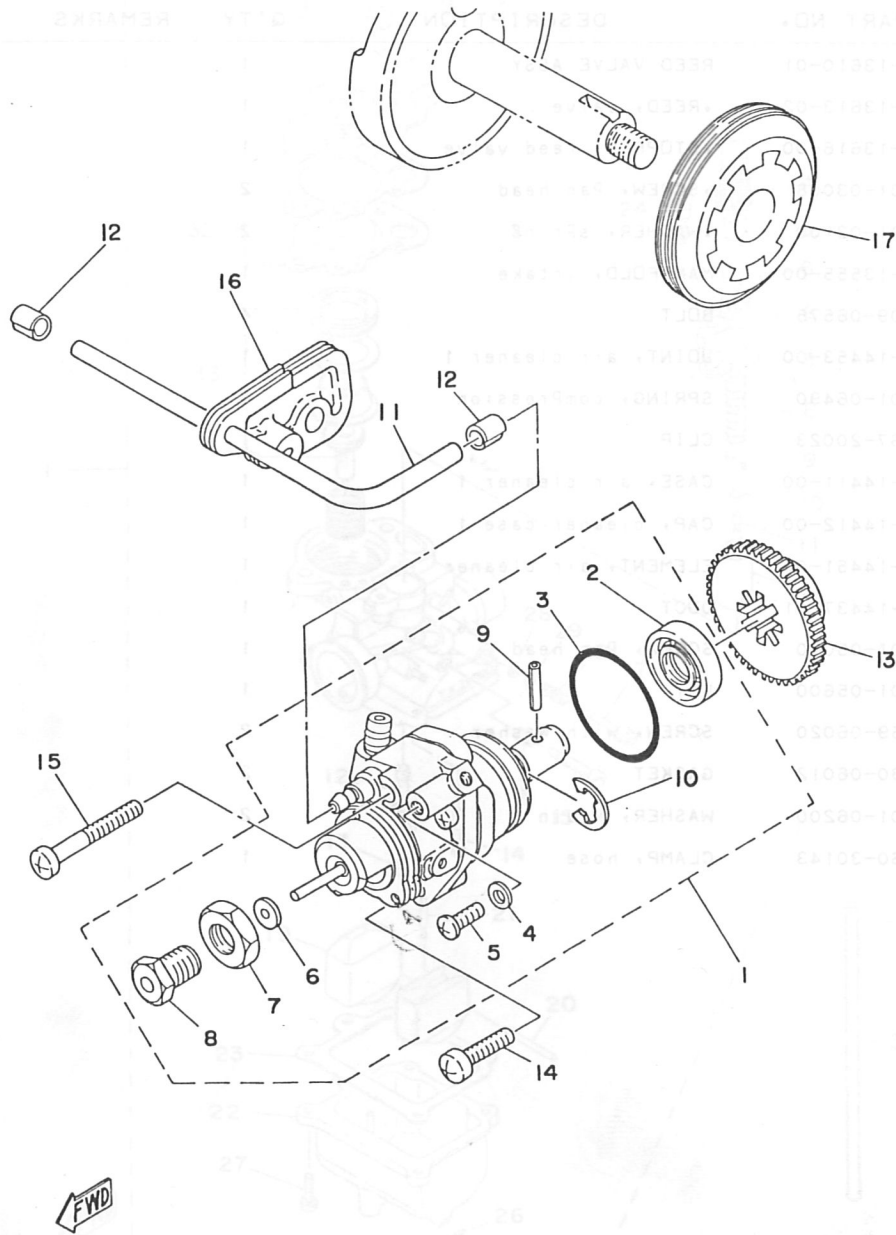
REF. NO.	PART NO.	DESCRIPTION	Q'TY	REMARKS
1	2T4-85500-M0	C.D.I. MAGNETO ASSY	1	
2	2T4-85550-M0	•ROTOR ASSY	1	
3	2E9-85561-M0	•BASE, magneto	1	
4	2T4-85520-M1	•COIL, charge	1	
5	2T4-81313-M0	•COIL, lighting 1	1	
6	2E9-85580-M1	•COIL, Pulser	1	
7	2T4-8131X-M1	•CORD ASSY	1	
8	90461-05036	•CLAMP	1	
9	98503-04010	•SCREW, Pan head	1	
10	92901-04100	•WASHER, sPring	1	
11	98501-04006	•SCREW, Pan head	1	
12	92901-04100	•WASHER, sPring	1	
13	98501-04018	•SCREW, Pan head	2	
14	98501-04025	•SCREW, Pan head	2	
15	92901-04100	•WASHER, sPring	2	
16	2T4-85568-M1	•TERMINAL, earth 1	1	
17	2T4-85569-M1	•TERMINAL, earth 2	1	
18	92701-06015	SCREW, flat head	2	
19	2E9-85540-M0	C.D.I. UNIT ASSY	1	
20	92501-06014	SCREW, Pan head	1	
21	92901-06600	WASHER, Plate	1	
22	353-81970-50	RECTIFIER ASSY	1	UR
	353-81970-63	RECTIFIER ASSY	1	UR
23	95301-05600	NUT	1	
24	92901-05600	WASHER, Plate	1	

FIG. 4 AIR SHROUD-FAN



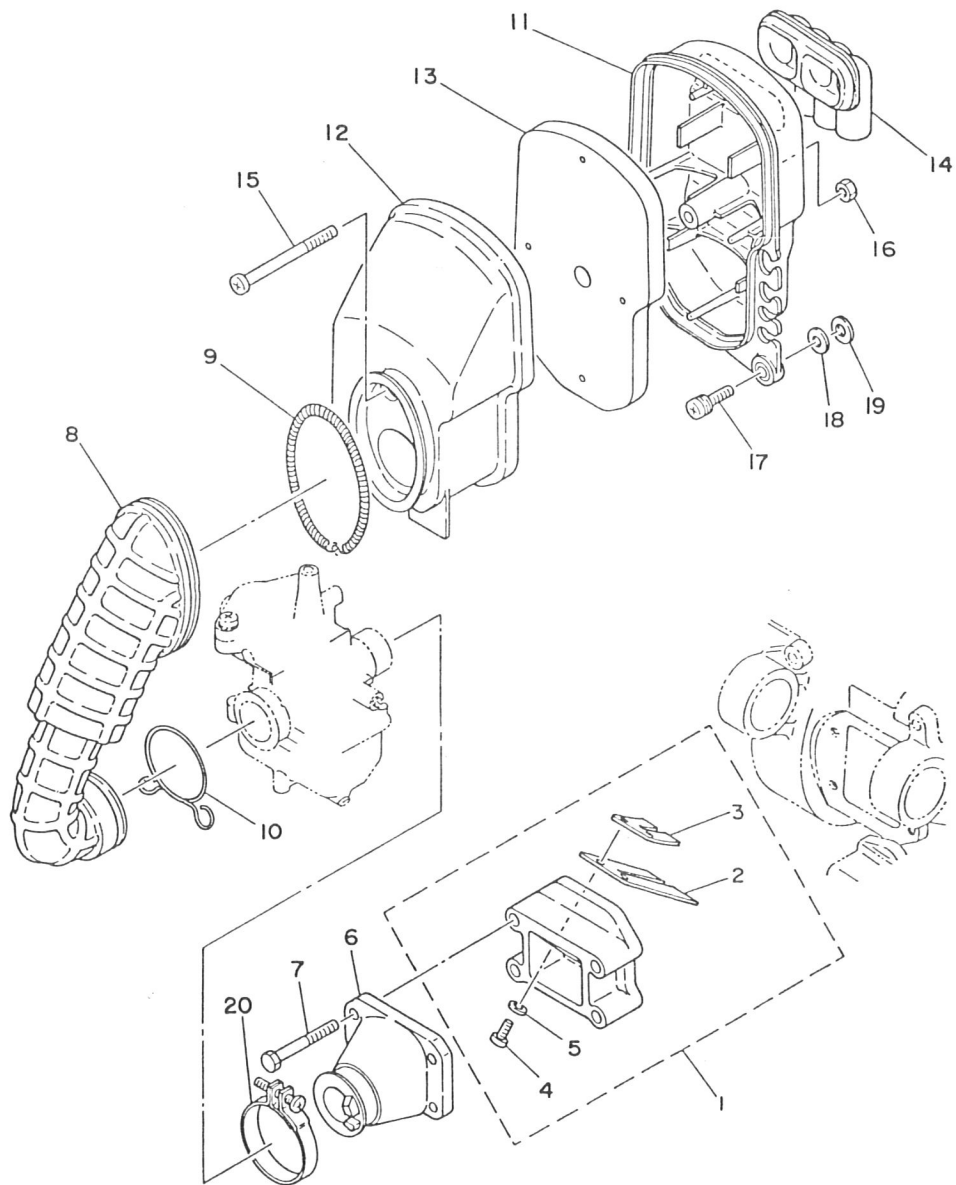
REF. NO.	PART NO.	DESCRIPTION	Q'TY	REMARKS
1	2T4-12651-01	AIR SHROUD, cylinder 1	1	
2	802-83923-00	COLLAR, lever 2	1	
3	2E9-12652-01	AIR SHROUD, cylinder 2	1	
4	2E9-11161-02	ABSORBER 1	1	
5	2T4-12631-01	DEFLECTOR 1	1	
6	90153-06020	SCREW, hexagon	2	
7	97301-06014	BOLT	2	
8	92901-06600	WASHER, Plate	2	
9	2T4-12653-00	AIR SHROUD, cylinder 3	1	
10	90462-06044	CLAMP	1	
11	92501-06025	SCREW, Pan head	2	
12	92901-06600	WASHER, Plate	2	
13	2E9-12611-01	FAN	1	
14	92501-06015	SCREW, Pan head	3	
15	92901-06100	WASHER, sPring	3	
16	92901-06600	WASHER, Plate	3	
17	92501-06075	SCREW, Pan head	1	
18	92901-06600	WASHER, Plate	1	
19	90387-06248	COLLAR	1	

FIG. 5 OIL PUMP



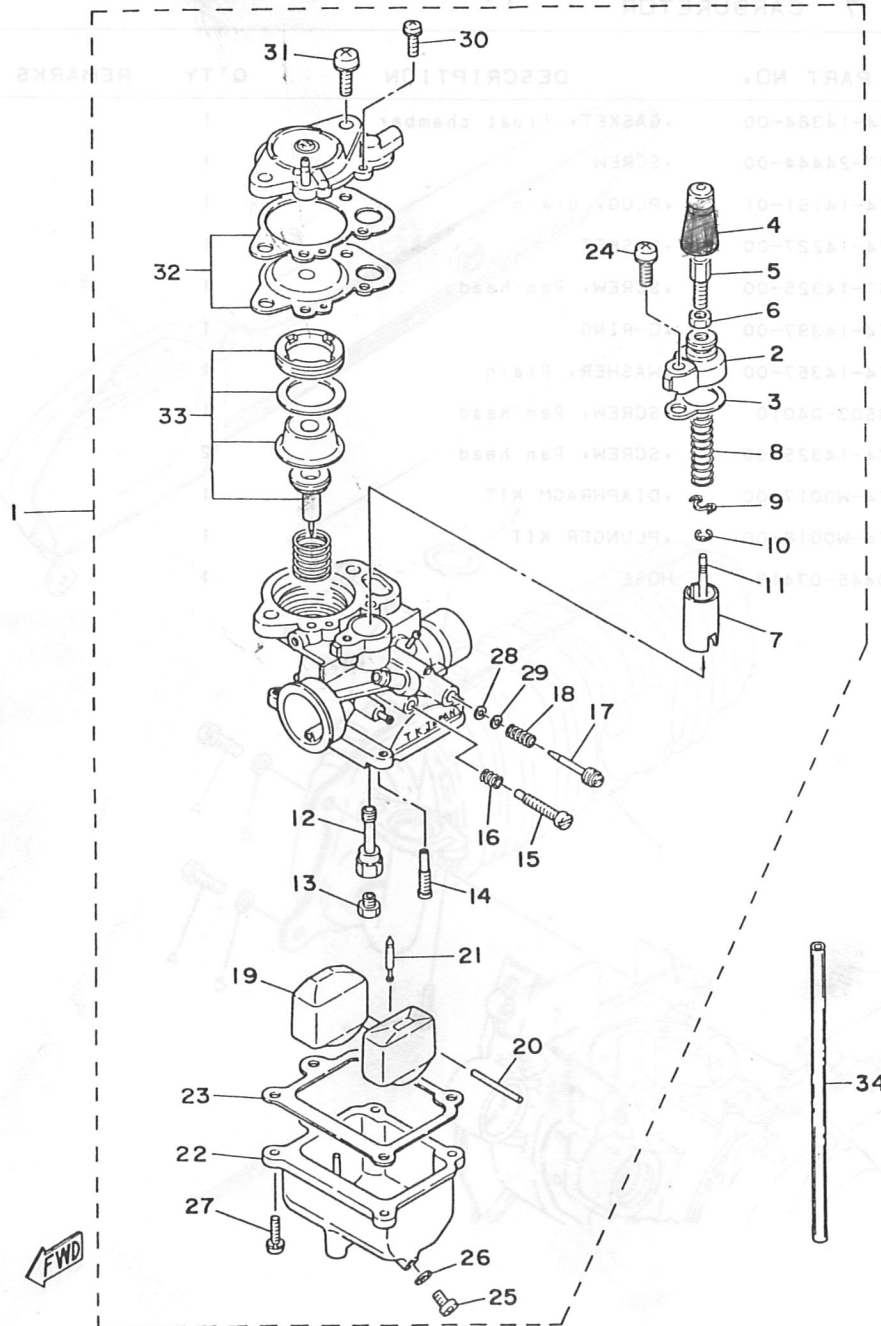
REF. NO.	PART NO.	DESCRIPTION	Q'TY	REMARKS
1	4K5-13101-00	OIL PUMP ASSY	1	
2	93101-10001	.OIL SEAL	1	
3	93210-26240	.O-RING	1	
4	90430-04004	.GASKET	1	
5	98901-04008	.SCREW, bind	1	
6	384-13138-00	.PLATE, adjusting	1	
7	90170-10105	.NUT	1	
8	90401-10029	.BOLT, union	1	
9	91609-30014	.PIN, spring	1	
10	93430-08006	.CIRCLIP	1	
11	90445-05352	HOSE	1	
12	90468-02033	CLIP	2	
13	2E9-13124-00	GEAR, worm wheel (88T)	1	
14	98501-05020	SCREW, Pan head	1	
15	98501-05035	SCREW, Pan head	1	
16	2E9-13174-00	HOLDER, oil Pipe	1	
17	2E9-13178-01	GEAR, Pump drive	1	

FIG. 6 INTAKE



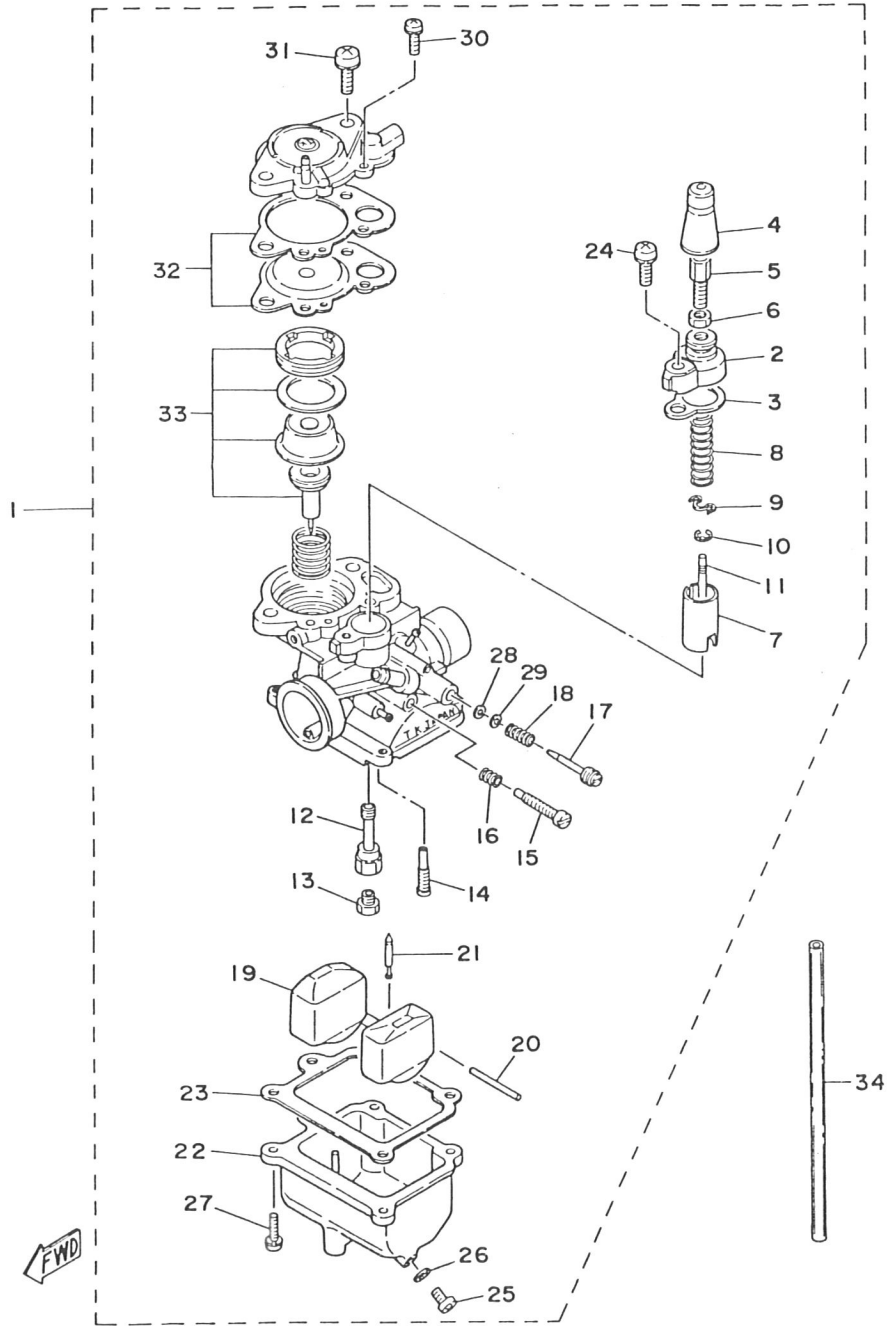
REF. NO.	PART NO.	DESCRIPTION	Q'TY	REMARKS
1	2T4-13610-01	REED VALVE ASSY	1	
2	2E9-13613-02	•REED, valve	1	
3	2T4-13616-00	•STOPPER, reed valve	1	
4	98501-03008	•SCREW, Pan head	2	
5	92901-03100	•WASHER, sPring	2	
6	3W9-13555-00	MANIFOLD, intake	1	
7	90109-06575	BOLT	4	
8	2T4-14453-00	JOINT, air cleaner 1	1	
9	90501-06490	SPRING, comPrission	1	
10	90467-20023	CLIP	1	
11	2T4-14411-00	CASE, air cleaner 1	1	
12	2T4-14412-00	CAP, cleaner case 1	1	
13	2T4-14451-00	ELEMENT, air cleaner	1	
14	2E9-14437-01	DUCT	1	
15	98501-05070	SCREW, Pan head	1	
16	95301-05600	NUT	1	
17	90159-06020	SCREW, with washer	2	
18	90430-06012	GASKET	2	
19	92901-06200	WASHER, Plain	2	
20	90460-30143	CLAMP, hose	1	

FIG. 7 CARBURETOR



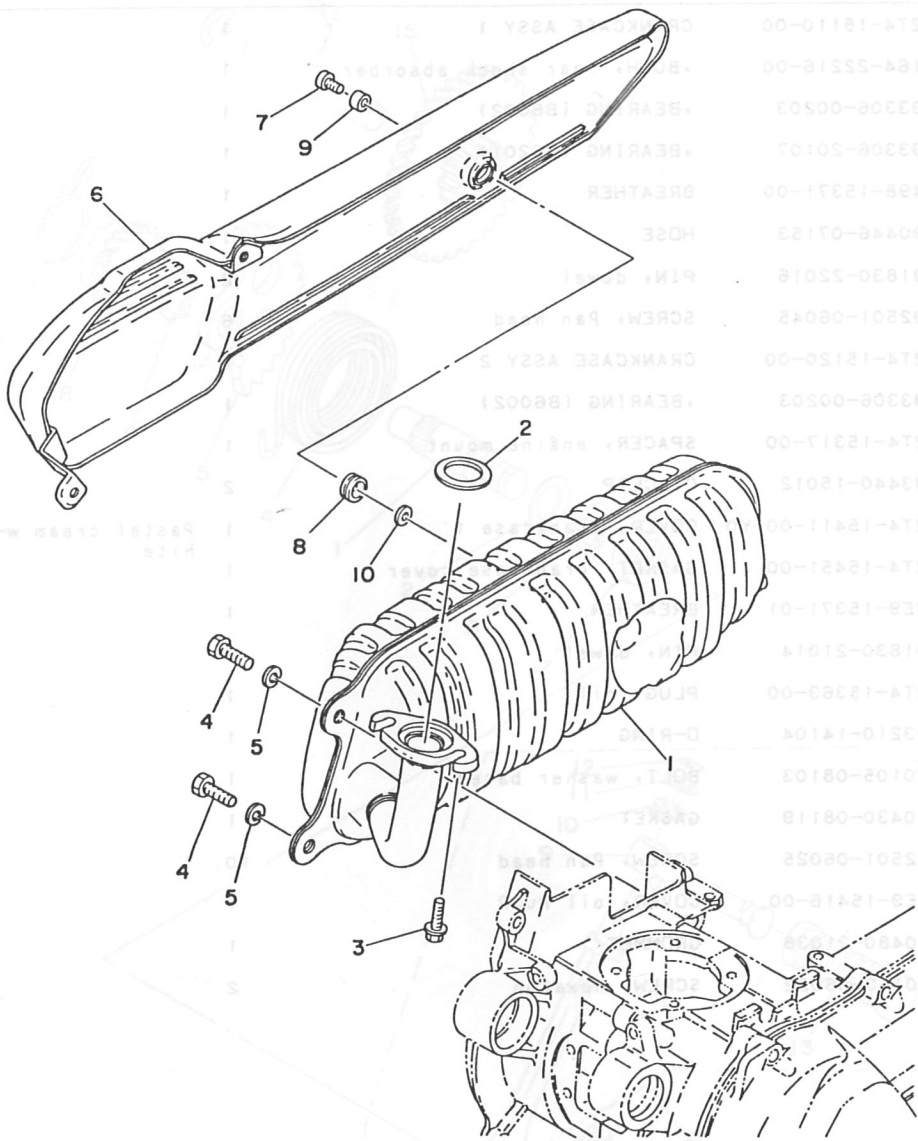
REF. NO.	PART NO.	DESCRIPTION	Q'TY	REMARKS
1	3W9-14301-00	CARBURETOR ASSY 1	1	
2	2T4-14168-00	.CAP, mixing chamber	1	
3	2T4-14126-00	.GASKET	1	
4	367-14169-00	.CAP	1	
5	3W9-14124-00	.SCREW, cable adjusting	1	
6	288-14161-00	.NUT, cable adjusting	1	
7	3W9-14312-25	.VALVE, throttle 1	1	
8	2T4-14331-00	.SPRING, throttle valve	1	
9	2T4-14136-00	.SEAT, sPring	1	
10	2T4-14137-00	.CLIP	1	
11	3W9-14336-00	.NEEDLE	1	
12	3W9-14341-00	.NOZZLE, main	1	
13	288-14343-37	.JET, main (#074)	1	UR STD
	288-14343-36	.JET, main (#072)	1	UR
	288-14343-38	.JET, main (#076)	1	UR
14	2T4-14353-20	.JET, Pilot (#040)	1	UR STD
	2T4-14353-19	.JET, Pilot (#038)	1	UR
	2T4-14353-21	.JET, Pilot (#042)	1	UR
15	2T4-14211-00	.SCREW, Pilot adjusting	1	
16	2T4-14212-00	.SPRING, Pilot adjusting	1	
17	2T4-14323-00	.SCREW, air adjusting	1	
18	2T4-14337-00	.SPRING, air adjusting	1	
19	2T4-14385-00	.FLOAT	1	
20	367-14386-00	.PIN, float	1	
21	2T4-14392-00	.VALVE, needle	1	
22	3W9-14381-20	.BODY, float chamber	1	UR STD
	3W9-14381-19	.BODY, float chamber	1	UR
	3W9-14381-21	.BODY, float chamber	1	UR

FIG. 7 CARBURETOR

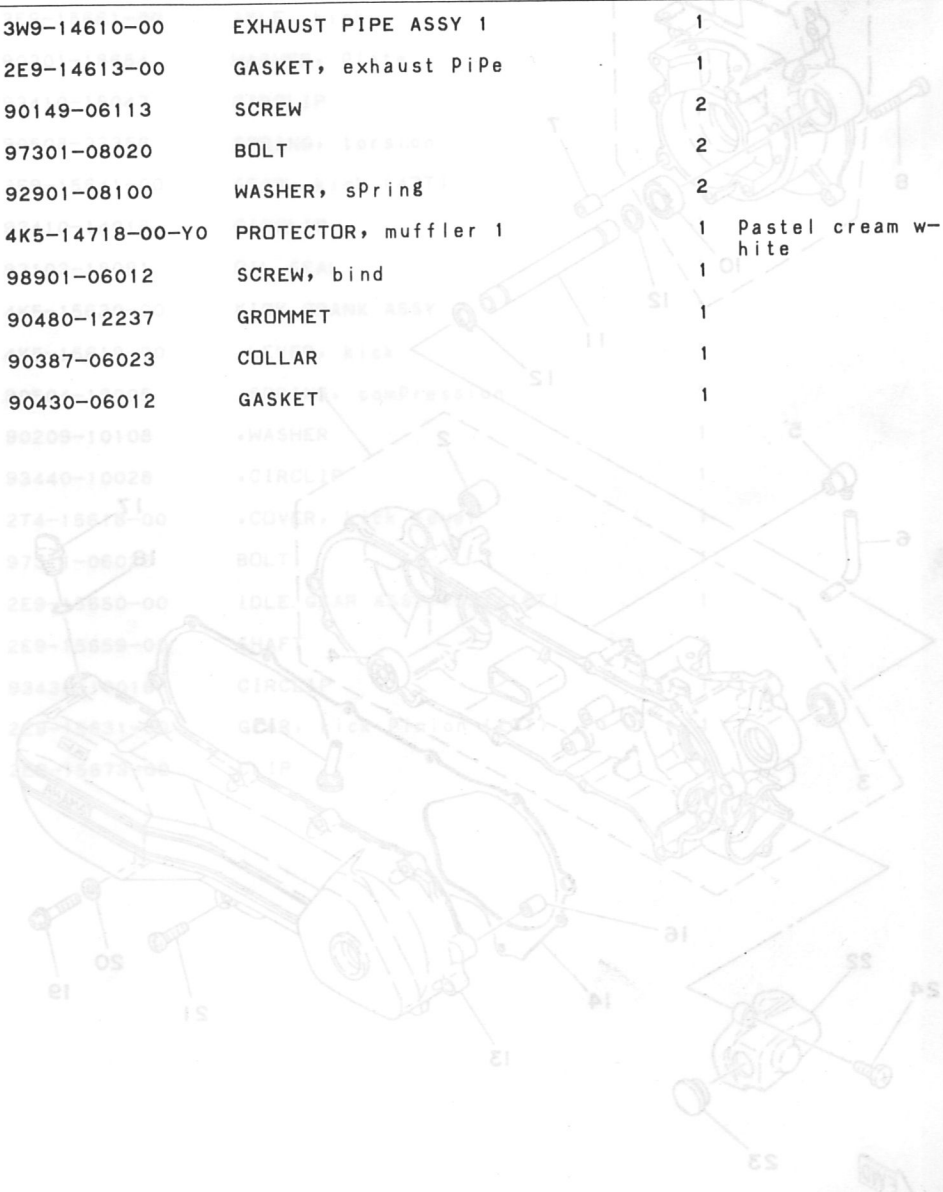


REF. NO.	PART NO.	DESCRIPTION	Q'TY	REMARKS
23	2T4-14384-00	.GASKET, float chamber	1	
24	677-24444-00	.SCREW	1	
25	2T4-14191-01	.PLUG, drain	1	
26	2T4-14227-00	.GASKET	1	
27	367-14325-00	.SCREW, Pan head	1	
28	2T4-14397-00	.O-RING	1	
29	2T4-14357-00	.WASHER, Plain	1	
30	98503-04010	.SCREW, Pan head	1	
31	2T4-14325-00	.SCREW, Pan head	2	
32	2T4-W0017-00	.DIAPHRAGM KIT	1	
33	2T4-W0018-00	.PLUNGER KIT	1	
34	90445-07419	HOSE	1	

FIG. 8 EXHAUST

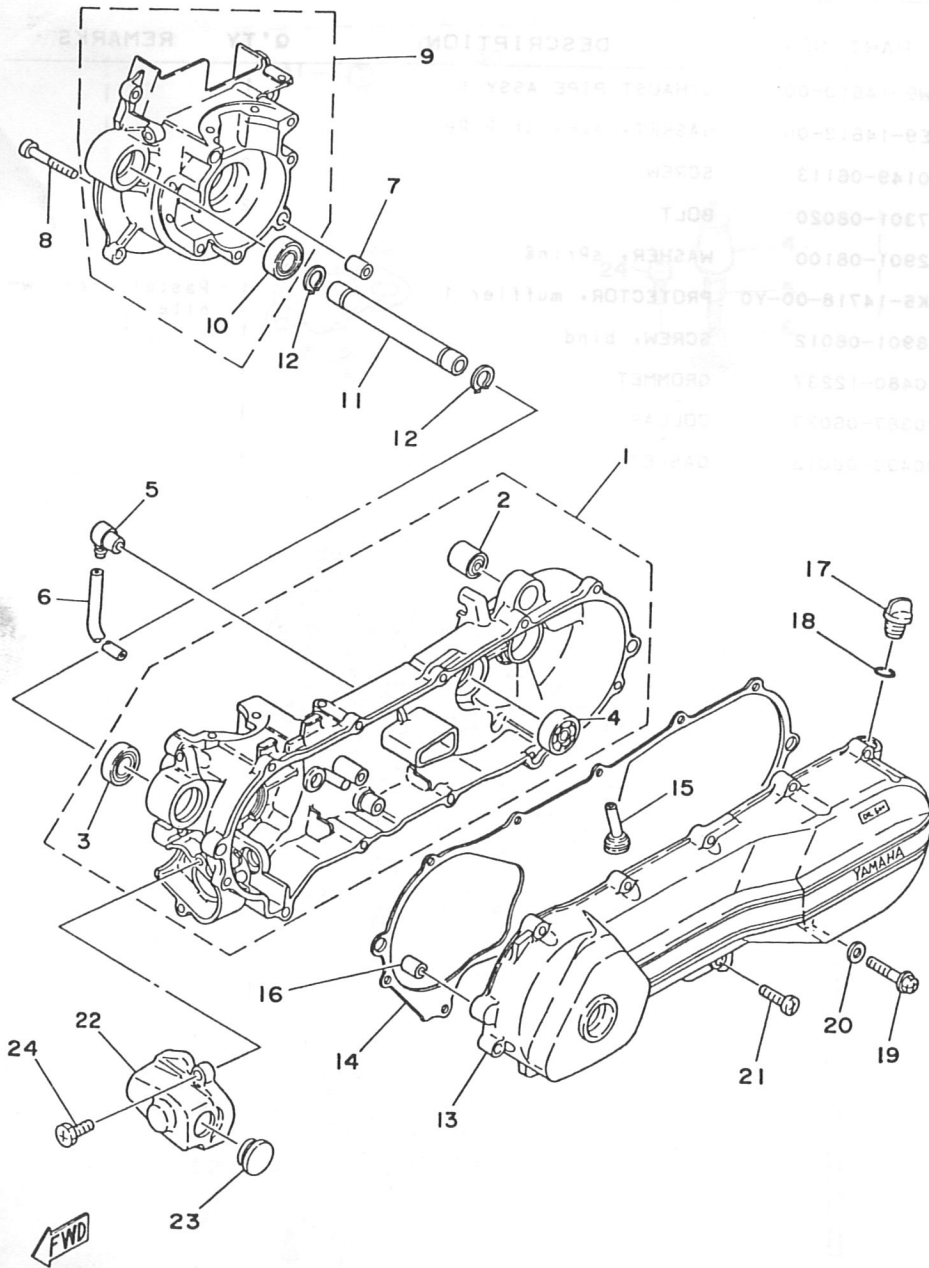


REF. NO.	PART NO.	DESCRIPTION	Q'TY	REMARKS
1	3W9-14610-00	EXHAUST PIPE ASSY 1	1	
2	2E9-14613-00	GASKET, exhaust Pipe	1	
3	90149-06113	SCREW	2	
4	97301-08020	BOLT	2	
5	92901-08100	WASHER, sPring	2	
6	4K5-14718-00-YO	PROTECTOR, muffler 1	1	Pastel cream w- hite
7	98901-06012	SCREW, bind	1	
8	90480-12237	GROMMET	1	
9	90387-06023	COLLAR	1	
10	90430-06012	GASKET	1	



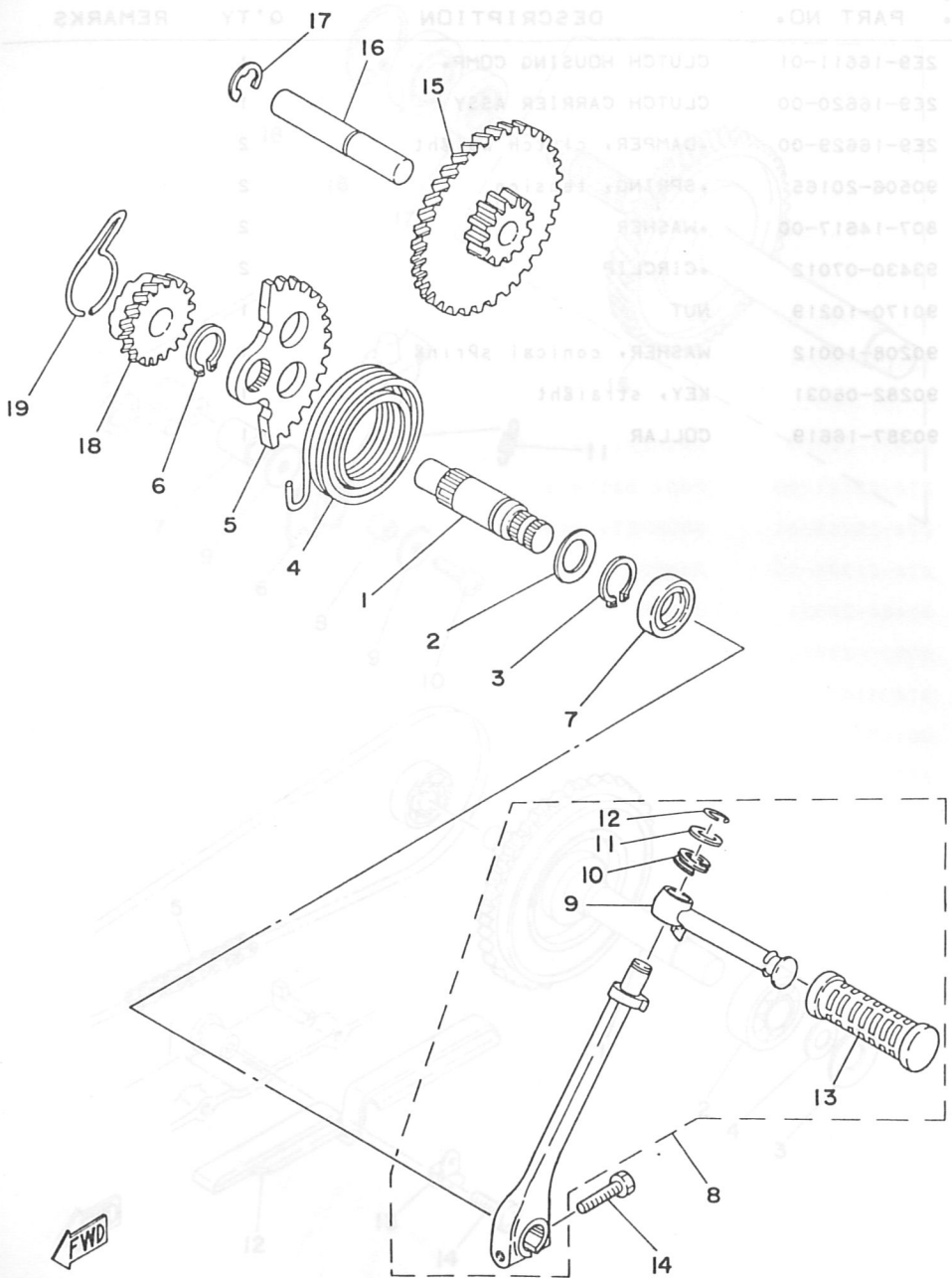
FWD

FIG. 9 CRANKCASE



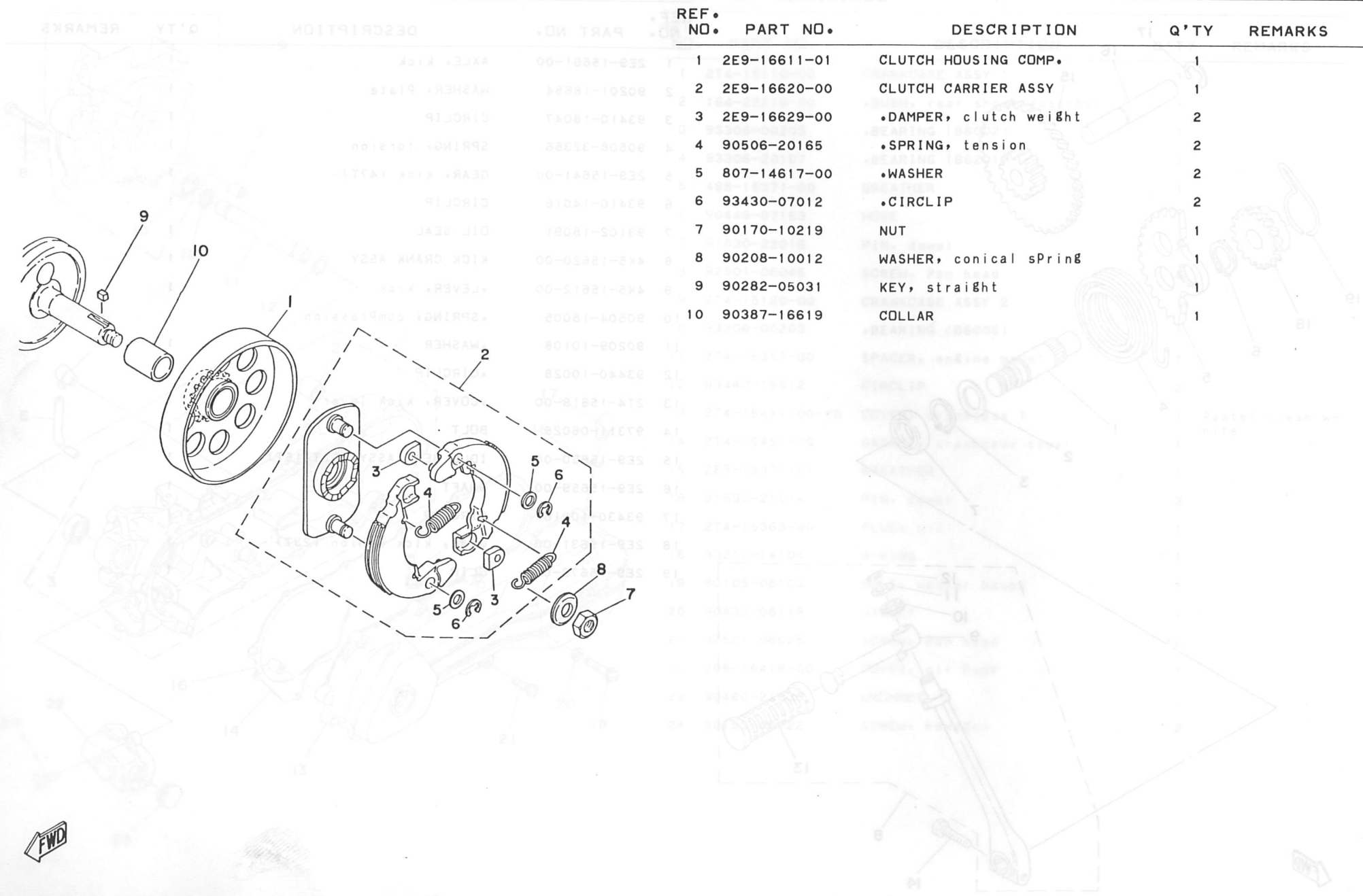
REF. NO.	PART NO.	DESCRIPTION	Q'TY	REMARKS
1	2T4-15110-00	CRANKCASE ASSY 1	1	
2	164-22216-00	•BUSH, rear shock absorber	1	
3	93306-00203	•BEARING (B6002)	1	
4	93306-20107	•BEARING (B6201)	1	
5	498-15371-00	BREATHER	1	
6	90446-07153	HOSE	1	
7	91830-22016	PIN, dowel	2	
8	92501-06045	SCREW, Pan head	6	
9	2T4-15120-00	CRANKCASE ASSY 2	1	
10	93306-00203	•BEARING (B6002)	1	
11	2T4-15317-00	SPACER, engine mount	1	
12	93440-15012	CIRCLIP	2	
13	2T4-15411-00-Y0	COVER, crankcase 1	1	Pastel cream w- hite
14	2T4-15451-00	GASKET, crankcase cover	1	
15	2E9-15371-01	BREATHER	1	
16	91830-21014	PIN, dowel	2	
17	2T4-15363-00	PLUG, oil	1	
18	93210-14104	O-RING	1	
19	90105-08103	BOLT, washer based	1	
20	90430-08119	GASKET	1	
21	92501-06025	SCREW, Pan head	10	
22	2E9-15416-00	COVER, oil Pump	1	
23	90480-21038	GROMMET	1	
24	90153-06022	SCREW, hexagon	2	

FIG. 10 KICK STARTER



REF. NO.	PART NO.	DESCRIPTION	Q'TY	REMARKS
1	2E9-15661-00	AXLE, kick	1	
2	90201-18654	WASHER, Plate	1	
3	93410-18047	CIRCLIP	1	
4	90508-32356	SPRING, torsion	1	
5	2E9-15641-00	GEAR, kick (47T)	1	
6	93410-14016	CIRCLIP	1	
7	93102-18091	OIL SEAL	1	
8	4K5-15620-00	KICK CRANK ASSY	1	
9	4K5-15612-00	•LEVER, kick	1	
10	90504-18005	•SPRING, compression	1	
11	90209-10108	•WASHER	1	
12	93440-10028	•CIRCLIP	1	
13	2T4-15618-00	•COVER, kick lever	1	
14	97311-06025	BOLT	1	
15	2E9-15650-00	IDLE GEAR ASSY (52T/15T)	1	
16	2E9-15659-00	SHAFT	1	
17	93430-10016	CIRCLIP	1	
18	2E9-15631-00	GEAR, kick Pinion (23T)	1	
19	2E9-15673-00	CLIP	1	

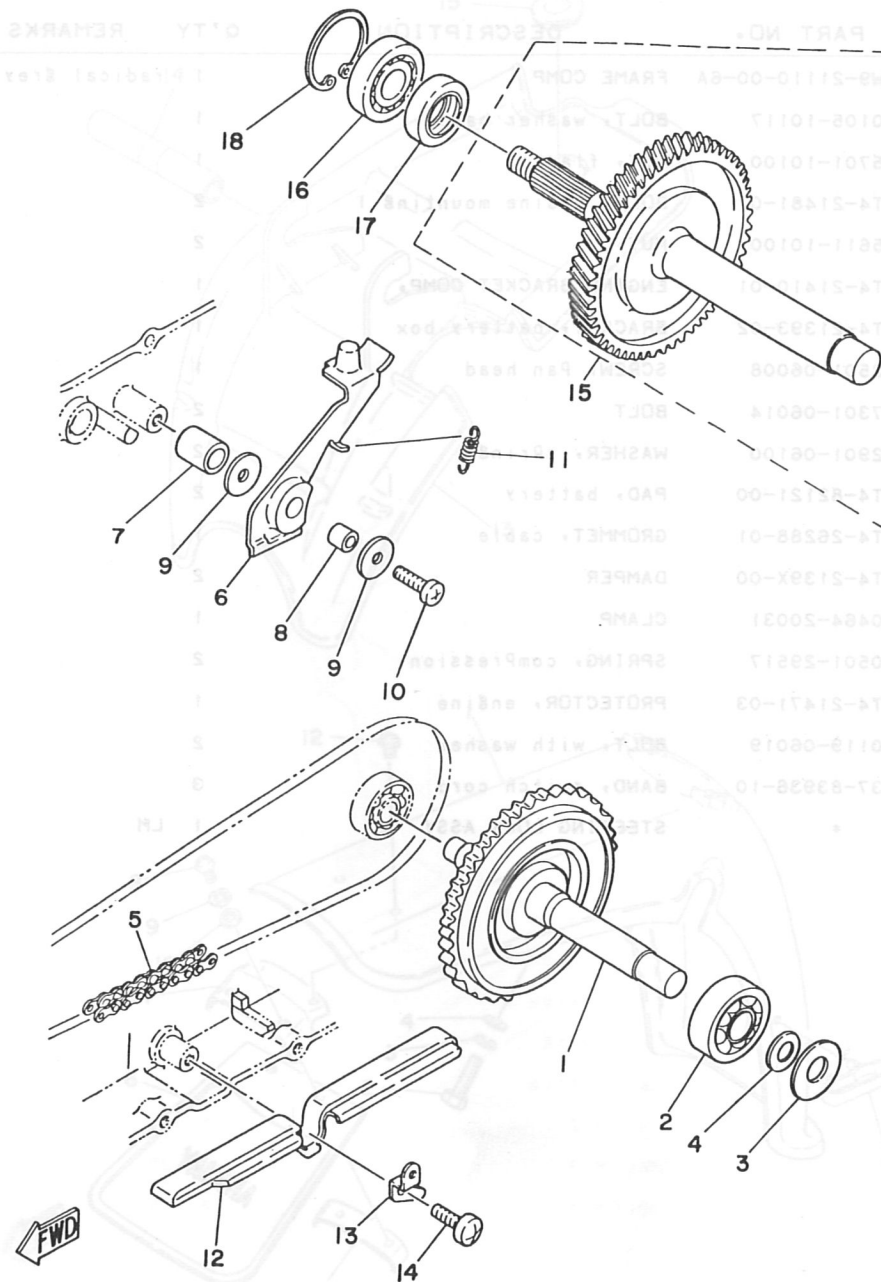
FIG. 11 CLUTCH



REF. NO.	PART NO.	DESCRIPTION	Q'TY	REMARKS
1	2E9-16611-01	CLUTCH HOUSING COMP.	1	
2	2E9-16620-00	CLUTCH CARRIER ASSY	1	
3	2E9-16629-00	•DAMPER, clutch weight	2	
4	90506-20165	•SPRING, tension	2	
5	807-14617-00	•WASHER	2	
6	93430-07012	•CIRCLIP	2	
7	90170-10219	NUT	1	
8	90208-10012	WASHER, conical spring	1	
9	90282-05031	KEY, straight	1	
10	90387-16619	COLLAR	1	

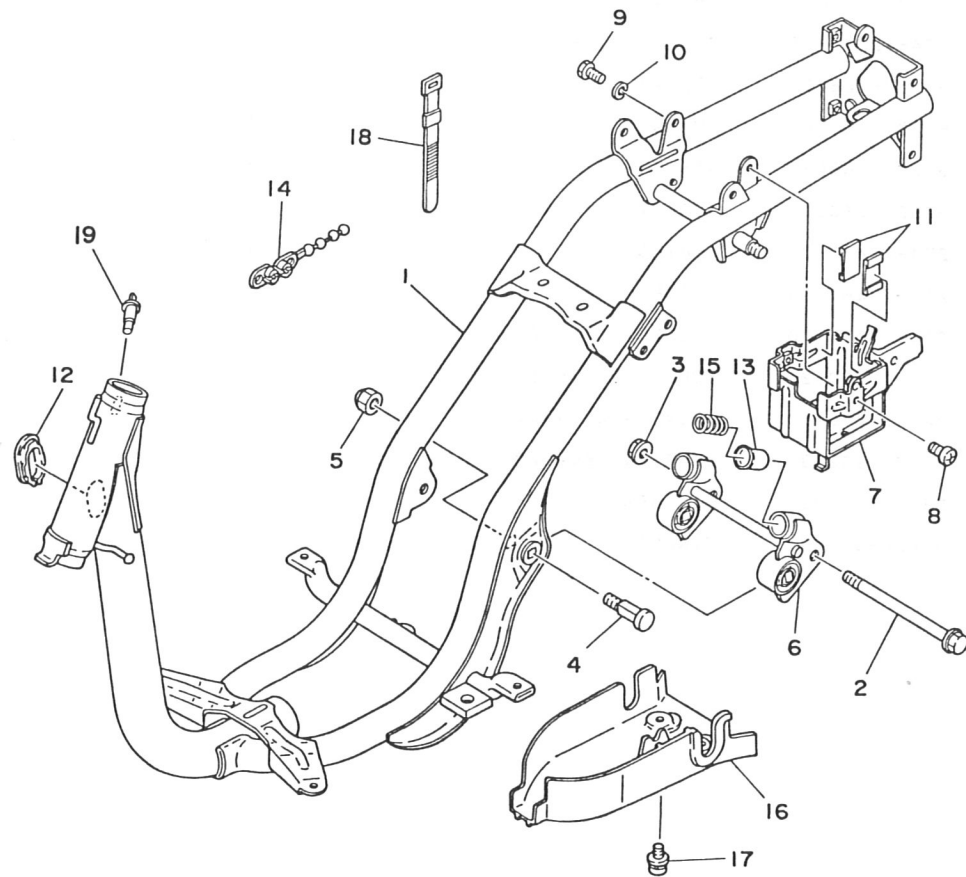
FWD

FIG. 12 TRANSMISSION REAR FENDER



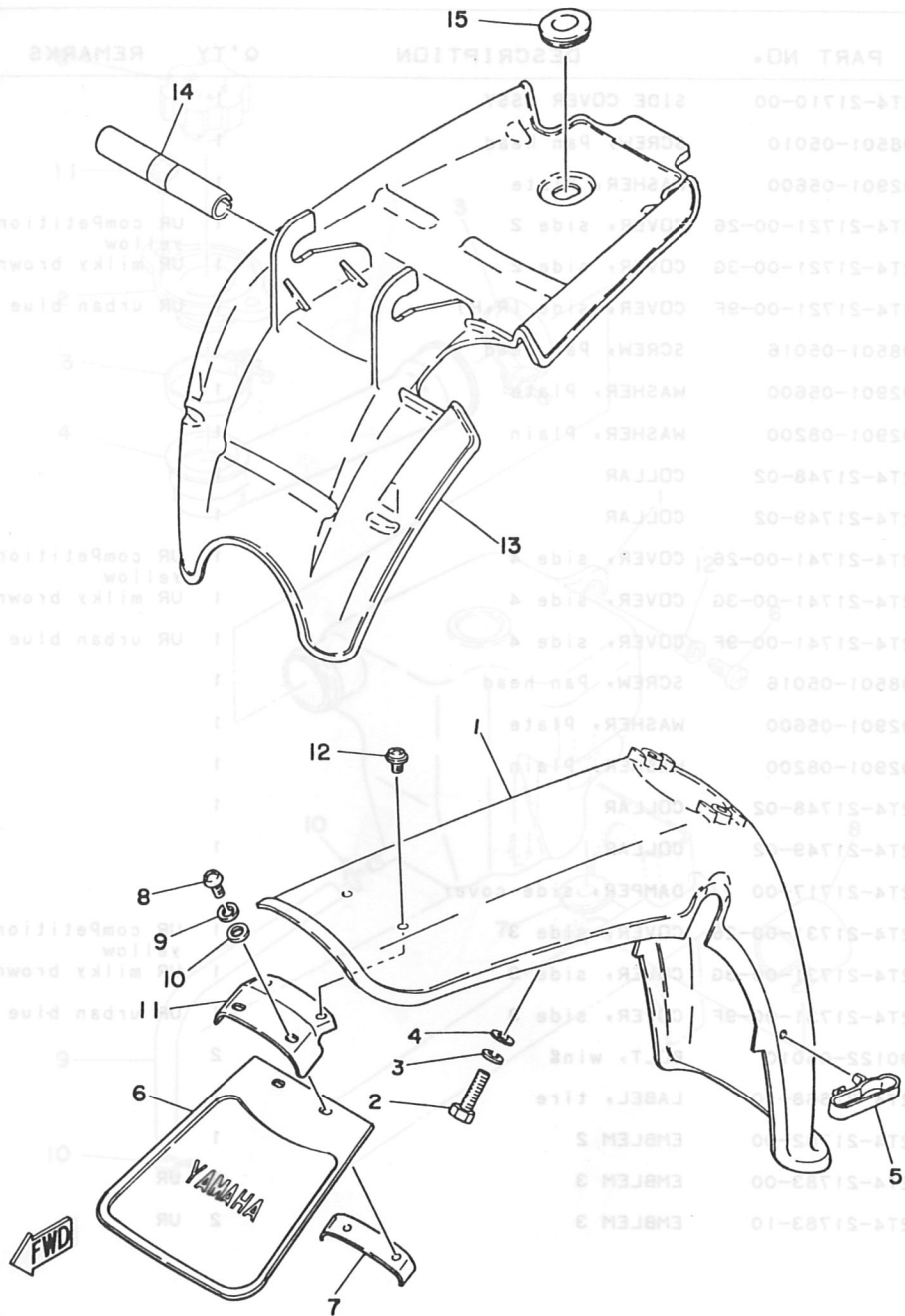
REF. NO.	PART NO.	DESCRIPTION	Q'TY	REMARKS
1	3W9-17410-00	MAIN AXLE COMP.	1	
2	93306-20107	BEARING (B6201)	1	
3	90201-12704	WASHER, Plate	2	
4	90208-12027	WASHER, conical sPring	1	
5	94580-12080	CHAIN, drive (DID270H 80L)	1	
6	2T4-12242-02	PLATE, tensioner	1	
7	90387-12695	COLLAR	1	
8	90387-06694	COLLAR	1	
9	90201-06655	WASHER, Plate	2	
10	92501-06020	SCREW, Pan head	1	
11	2T4-17497-03	SPRING	1	
12	2T4-17467-00	GUIDE, chain 1	1	
13	2T4-17477-00	HOLDER, sPring	1	
14	92501-06012	SCREW, Pan head	1	
15	3W9-17420-00	DRIVE AXLE ASSY	1	
16	93306-20203	BEARING (B6202RS)	1	
17	93102-20070	OIL SEAL	1	
18	93420-35003	CIRCLIP	1	

FIG. 13 FRAME



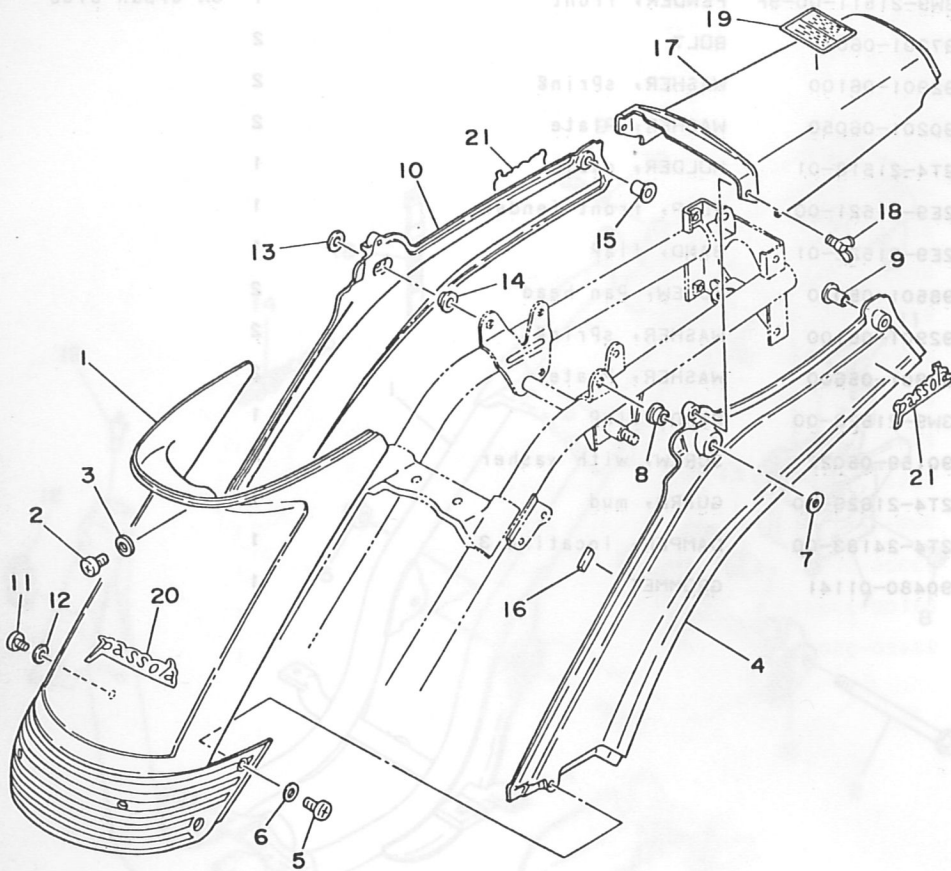
REF. NO.	PART NO.	DESCRIPTION	Q'TY	REMARKS
1	3W9-21110-00-6A	FRAME COMP	1	radical grey
2	90105-10117	BOLT, washer based	1	
3	95701-10100	NUT, flange	1	
4	2T4-21481-01	BOLT, engine mounting 1	2	
5	95611-10100	NUT, u	2	
6	2T4-21410-01	ENGINE BRACKET COMP.	1	
7	2T4-21393-02	BRACKET, battery box	1	
8	92501-06008	SCREW, Pan head	1	
9	97301-06014	BOLT	2	
10	92901-06100	WASHER, spring	2	
11	2T4-82121-00	PAD, battery	2	
12	2T4-26288-01	GROMMET, cable	1	
13	2T4-2139X-00	DAMPER	2	
14	90464-20031	CLAMP	1	
15	90501-29517	SPRING, compression	2	
16	2T4-21471-03	PROTECTOR, engine	1	
17	90119-06019	BOLT, with washer	2	
18	437-83936-10	BAND, switch cord	3	
19	*	STEERING LOCK ASSY	1	LM

FIG. 14 FRONT FENDER•REAR FENDER



REF. NO.	PART NO.	DESCRIPTION	Q'TY	REMARKS
1	3W9-21511-00-26	FENDER, front	1	UR competition yellow
2	3W9-21511-00-3G	FENDER, front	1	UR milky brown
3	3W9-21511-00-9F	FENDER, front	1	UR urban blue
2	97301-06025	BOLT	2	
3	92901-06100	WASHER, sPring	2	
4	90201-06050	WASHER, Plate	2	
5	2T4-21518-01	HOLDER, cable	1	
6	2E9-21521-00	FLAP, front fender	1	
7	2E9-21522-01	BAND, flaP	1	
8	98501-05010	SCREW, Pan head	2	
9	92901-05100	WASHER, sPring	2	
10	92901-05600	WASHER, Plate	2	
11	3W9-21522-00	BAND, flaP	1	
12	90159-05022	SCREW, with washer	2	
13	2T4-21629-00	GUARD, mud	1	
14	2T4-24183-00	DAMPER, locating 3	1	
15	90480-01141	GROMMET	1	

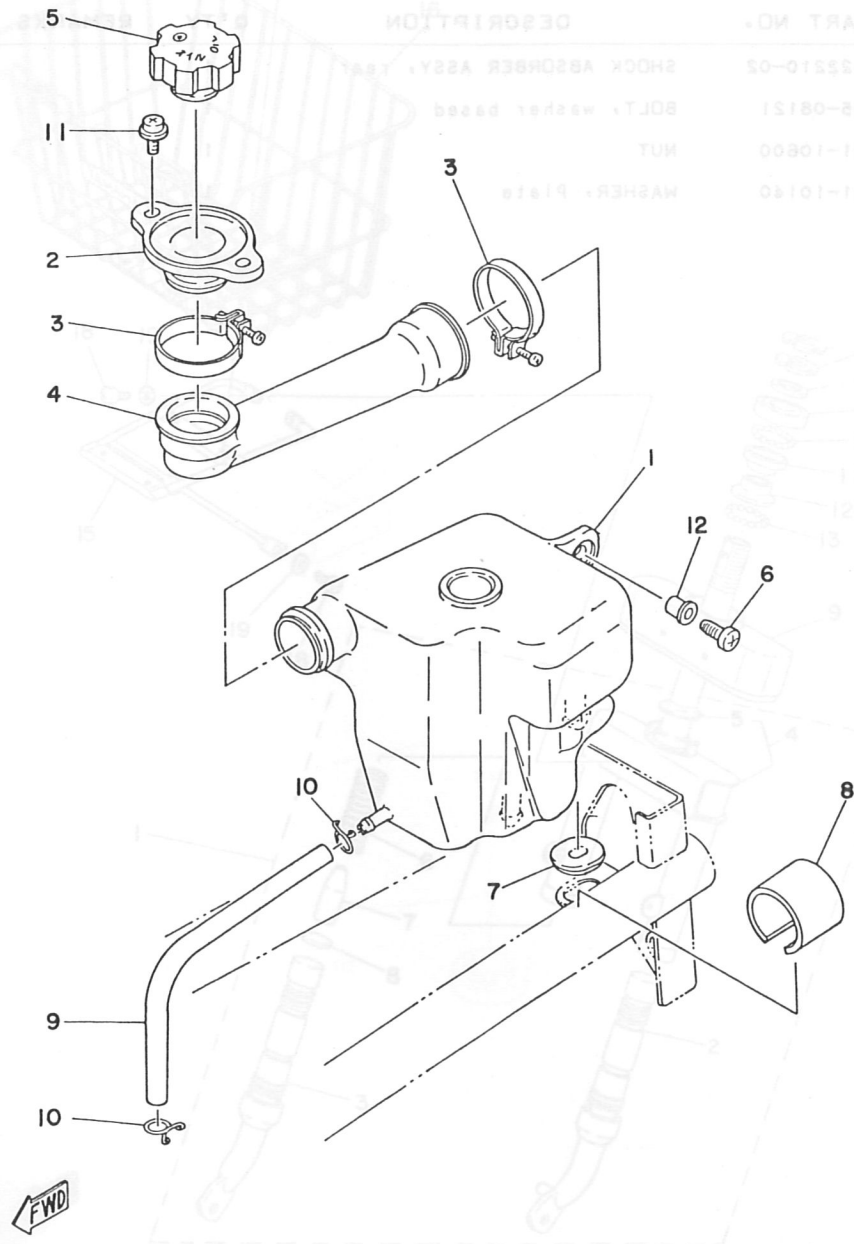
FIG. 15 SIDE COVER



REF. NO.	PART NO.	DESCRIPTION	Q'TY	REMARKS
1	2T4-21710-00	SIDE COVER ASSY	1	
2	98501-05010	SCREW, Pan head	1	
3	92901-05600	WASHER, Plate	1	
4	2T4-21721-00-26	COVER, side 2	1	UR comPetition yellow
	2T4-21721-00-3G	COVER, side 2	1	UR milky brown
	2T4-21721-00-9F	COVER, side (R.H)	1	UR urban blue
5	98501-05016	SCREW, Pan head	1	
6	92901-05600	WASHER, Plate	1	
7	92901-08200	WASHER, Plain	1	
8	2T4-21748-02	COLLAR	1	
9	2T4-21749-02	COLLAR	1	
10	2T4-21741-00-26	COVER, side 4	1	UR comPetition yellow
	2T4-21741-00-3G	COVER, side 4	1	UR milky brown
	2T4-21741-00-9F	COVER, side 4	1	UR urban blue
11	98501-05016	SCREW, Pan head	1	
12	92901-05600	WASHER, Plate	1	
13	92901-08200	WASHER, Plain	1	
14	2T4-21748-02	COLLAR	1	
15	2T4-21749-02	COLLAR	1	
16	2T4-21717-00	DAMPER, side cover	4	
17	2T4-21731-00-26	COVER, side 3	1	UR comPetition yellow
	2T4-21731-00-3G	COVER, side 3	1	UR milky brown
	2T4-21731-00-9F	COVER, side 3	1	UR urban blue
18	90122-05010	BOLT, wing	2	
19	2T4-21668-10	LABEL, tire	1	
20	2T4-21782-00	EMBLEM 2	1	
21	2T4-21783-00	EMBLEM 3	2	UR
	2T4-21783-10	EMBLEM 3	2	UR

FWD

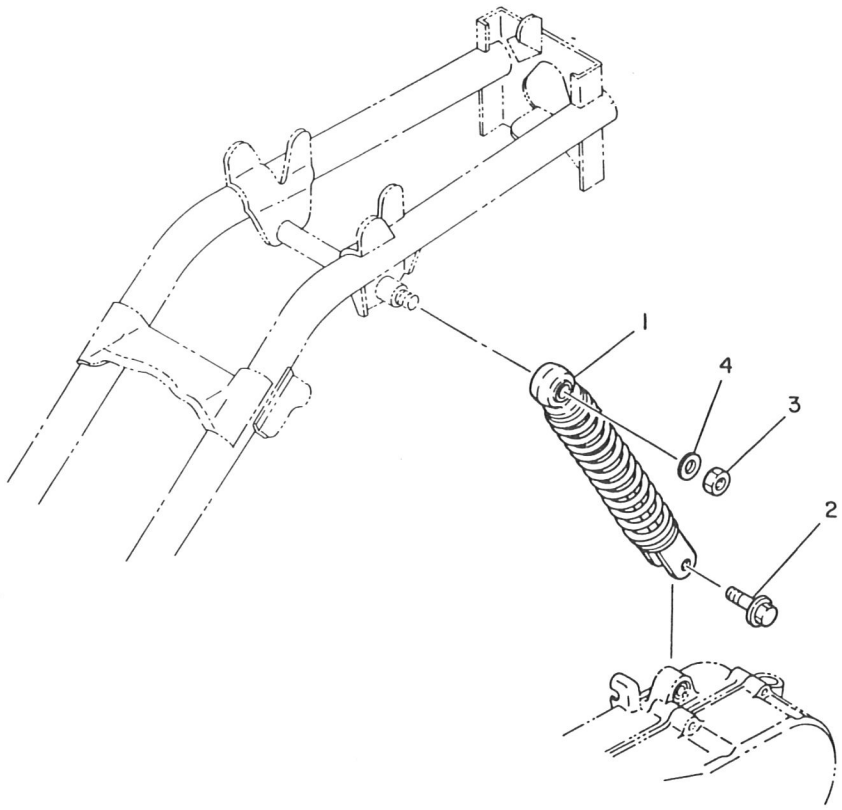
FIG. 16 OIL TANK



REF. NO.	PART NO.	DESCRIPTION	Q'TY	REMARKS
1	2T4-21751-01	TANK, oil	1	UR competition yellow
2	2T4-21752-02	TUBE, filler 1	1	UR milk brown
3	90460-37130	CLAMP, hose	2	UR urban blue
4	2T4-21753-01	BOSS, connector	1	chrome-plated
5	3L5-21770-01	OIL TANK CAP ASSY	1	chrome-plated
6	90167-06003	SCREW, tapping	1	UR competition yellow
7	90480-01247	GROMMET	1	UR milk brown
8	2E9-24181-00	DAMPER, locating 1	2	UR urban blue
9	90445-09228	HOSE	1	
10	90467-08003	CLIP	2	
11	90159-05023	SCREW, with washer	2	
12	802-83923-00	COLLAR, lever 2	1	
13	2T4-23311-00	PANEL, ball 1	1	UR competition yellow
14	2T4-23311-01	PANEL, ball 2	1	UR milk brown
15	2T4-23311-02	PANEL, ball 3	1	UR urban blue
16	2E9-23411-01	DAMPER, ball 1	1	
17	2E9-23412-00	DAMPER, ball 2	1	
18	2E9-23413-01	DAMPER, ball 3	1	
19	90509-32002	BALL	52	
20	2E9-23454-00	SHOCK FITTING 2	2	
21	3L4-24841-01	WASHER, front	1	
22	2T5-24842-01	WASHER, front	1	
23	90159-05018	SCREW, with washer	4	
24	92501-06012	SCREW, Pan head	4	
25	92901-06600	WASHER, Plate	4	
26	2T4-23410-01	WASHER, spec. 1	1	

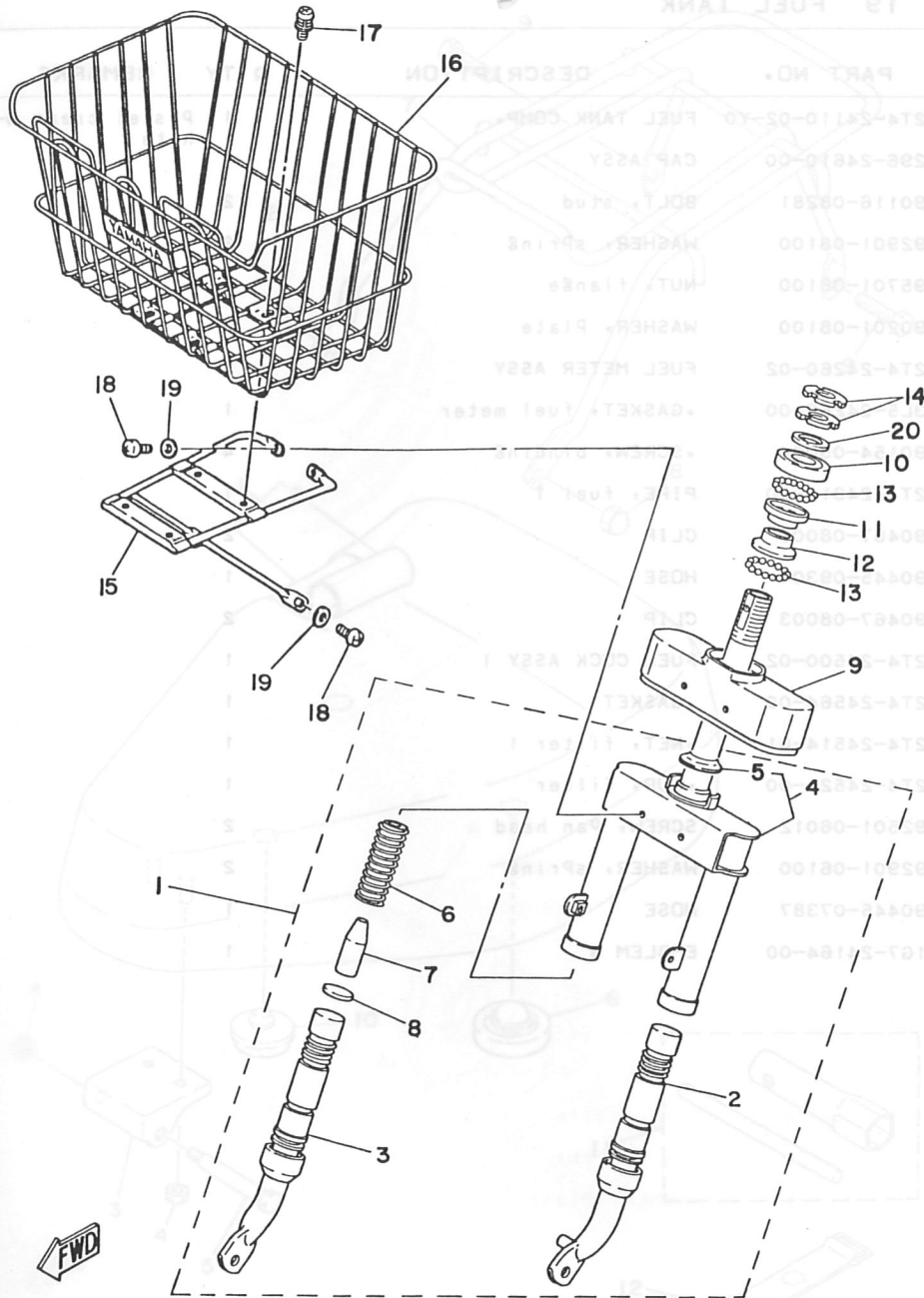
FIG. 17 REAR SUSPENSION

REF. NO.	PART NO.	DESCRIPTION	Q'TY	REMARKS
1	2T4-22210-02	SHOCK ABSORBER ASSY, rear	1	
2	90105-08121	BOLT, washer based	1	
3	95301-10600	NUT	1	
4	90201-10140	WASHER, Plate	1	



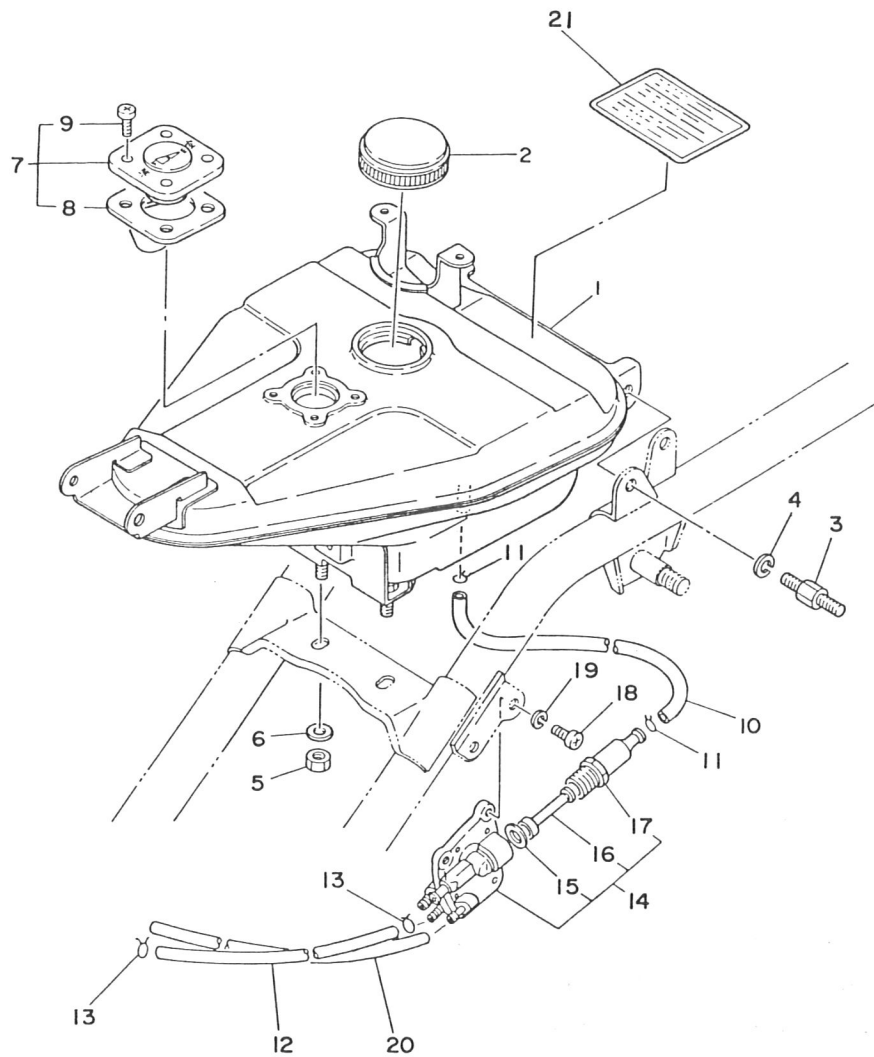
FWD

FIG. 18 FRONT FORK



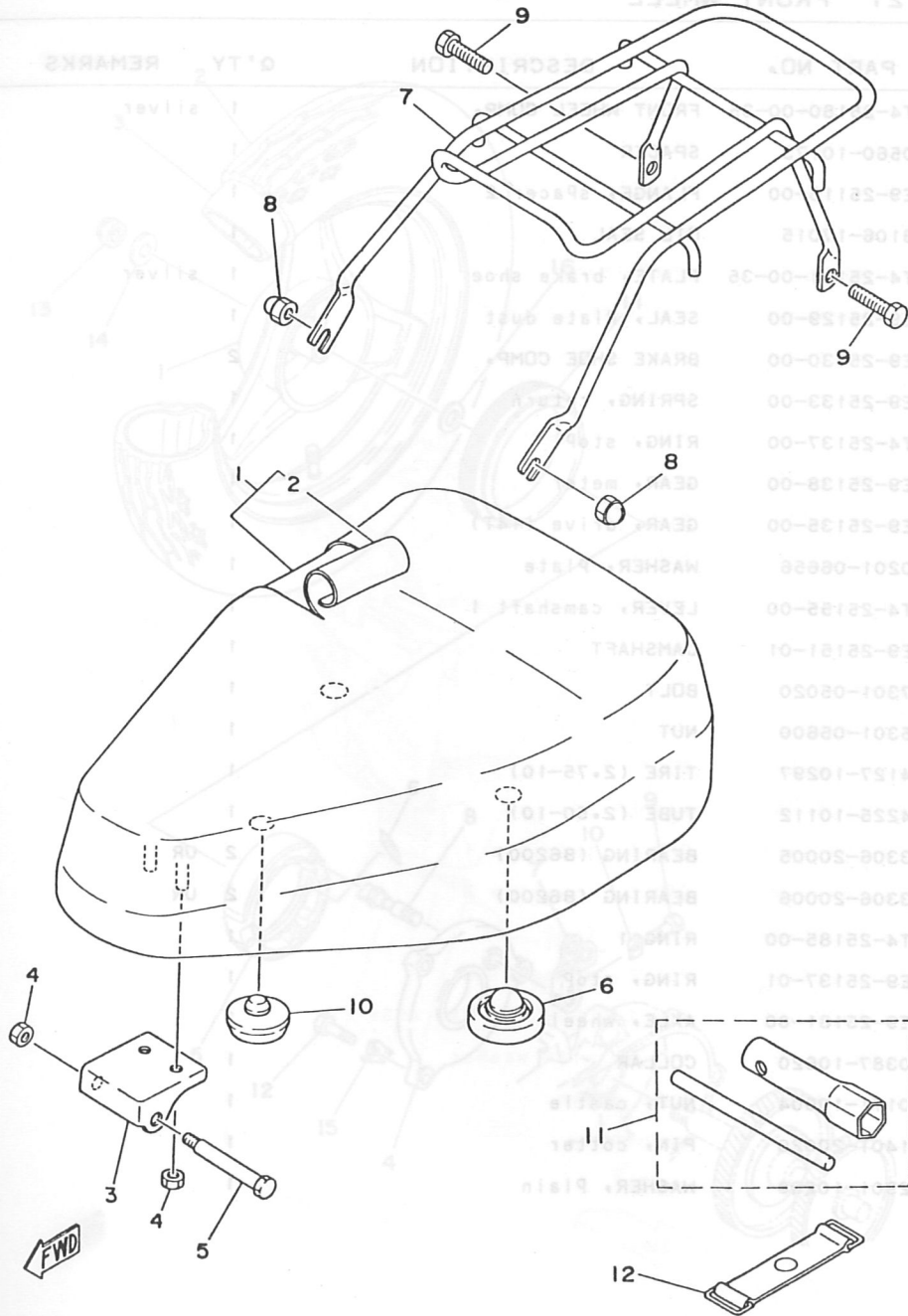
REF. NO.	PART NO.	DESCRIPTION	Q'TY	REMARKS
1	3W9-23100-00-26	FRONT FORK ASSY	1	UR comPetition yellow
	3W9-23100-00-3G	FRONT FORK ASSY	1	UR milky brown
	3W9-23100-00-9F	FRONT FORK ASSY	1	UR urban blue
2	2T4-23110-00-93	•INNER TUBE COMP.1	1	chrome-Plated
3	2T4-23120-00-93	•INNER TUBE COMP.2	1	chrome-Plated
4	3W9-23340-00-26	•UNDER BRACKET COMP.	1	UR comPetition yellow
	3W9-23340-00-3G	•UNDER BRACKET COMP.	1	UR milky brown
	3W9-23340-00-9F	•UNDER BRACKET COMP.	1	UR urban blue
5	2E9-23414-01	••RACE, ball 4	1	
6	2T4-23141-02	•SPRING, front fork	2	
7	2T4-23195-00	•RUBBER	1	
8	2E9-23143-00	•SEAT, sPring lower	2	
9	2T4-23311-00-26	PANEL, outer 1	1	UR comPetition yellow
	2T4-23311-00-3G	PANEL, outer 1	1	UR milky brown
	2T4-23311-00-9F	PANEL, outer 1	1	UR urban blue
10	2E9-23411-01	RACE, ball 1	1	
11	2E9-23412-00	RACE, ball 2	1	
12	2E9-23413-01	RACE, ball 3	1	
13	93505-32002	BALL	52	
14	2E9-23454-00	NUT, fitting 2	2	
15	3L4-24841-00	CARRIER, front	1	
16	2T5-24865-00	BASKET, front	1	
17	90159-05018	SCREW, with washer	4	
18	92501-06012	SCREW, Pan head	4	
19	92901-06600	WASHER, Plate	4	
20	2T4-23418-01	WASHER, sPecial	1	

FIG. 19 FUEL TANK



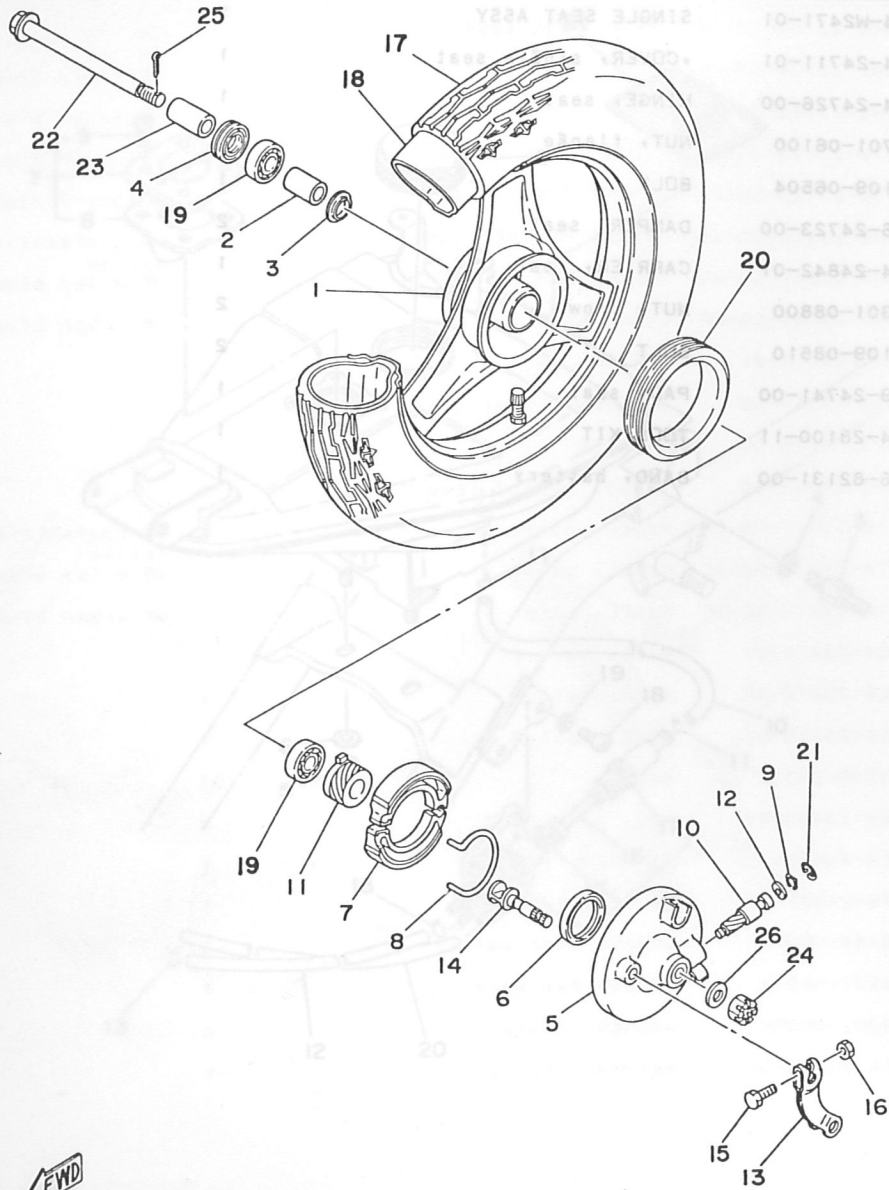
REF. NO.	PART NO.	DESCRIPTION	Q'TY	REMARKS
1	2T4-24110-02-Y0	FUEL TANK COMP.	1	Pastel cream white
2	296-24610-00	CAP ASSY	1	
3	90116-08281	BOLT, stud	2	
4	92901-08100	WASHER, sPring	2	
5	95701-08100	NUT, flange	2	
6	90201-08100	WASHER, Plate	2	
7	2T4-24260-02	FUEL METER ASSY	1	
8	3L5-24268-00	•GASKET, fuel meter	1	
9	90154-05004	•SCREW, binding	4	
10	2T4-24311-00	PIPE, fuel 1	1	
11	90467-08003	CLIP	2	
12	90445-09304	HOSE	1	
13	90467-08003	CLIP	2	
14	2T4-24500-02	FUEL COCK ASSY 1	1	
15	2T4-24564-00	•GASKET	1	
16	2T4-24514-01	•NET, filter 1	1	
17	2T4-24521-00	•CUP, filter	1	
18	92501-06012	SCREW, Pan head	2	
19	92901-06100	WASHER, sPring	2	
20	90445-07387	HOSE	1	
21	1G7-24164-00	EMBLEM 4	1	

FIG. 20 SEAT



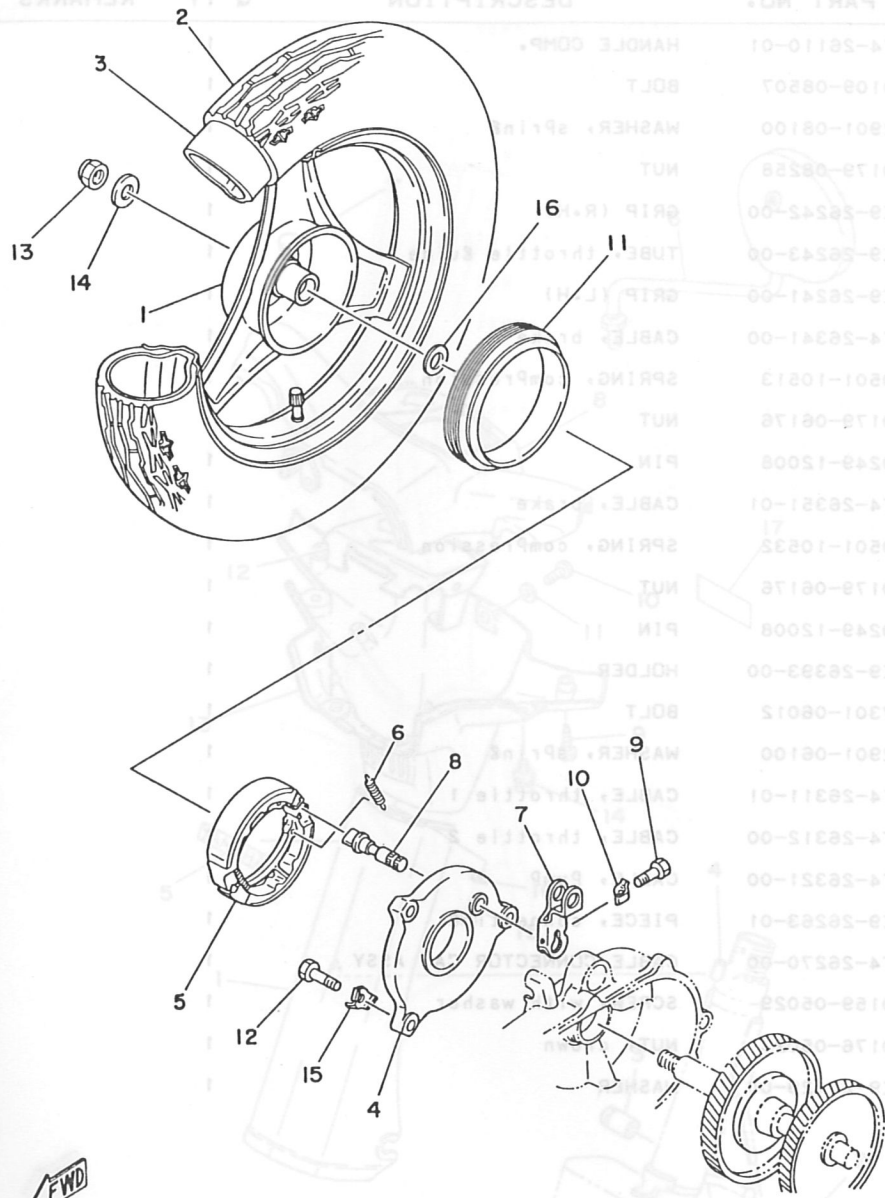
REF. NO.	PART NO.	DESCRIPTION	Q'TY	REMARKS
1	2T4-W2471-01	SINGLE SEAT ASSY	1	
2	2T4-24711-01	COVER, single seat	1	
3	2T4-24726-00	HINGE, seat	1	
4	95701-06100	NUT, flange	3	
5	90109-06504	BOLT	1	
6	296-24723-00	DAMPER, seat	2	
7	2T4-24842-01	CARRIER, rear	1	
8	95301-08800	NUT, crown	2	
9	90109-08510	BOLT	2	
10	1L9-24741-00	PAD, seat	1	
11	2T4-28100-11	TOOL KIT	1	
12	116-82131-00	BAND, battery	1	

FIG. 21 FRONT WHEEL



REF. NO.	PART NO.	DESCRIPTION	Q'TY	REMARKS
1	2T4-25180-00-35	FRONT WHEEL COMP.	1	silver
2	90560-10173	SPACER	1	
3	2E9-25116-00	FLANGE, sPacer 2	1	
4	93106-17015	OIL SEAL	1	
5	2T4-25121-00-35	PLATE, brake shoe	1	silver
6	2E9-25129-00	SEAL, Plate dust	1	
7	2E9-25130-00	BRAKE SHOE COMP.	2	
8	2E9-25133-00	SPRING, return	1	
9	2T4-25137-00	RING, stoP	1	
10	2E9-25138-00	GEAR, meter	1	
11	2E9-25135-00	GEAR, drive (14T)	1	
12	90201-06656	WASHER, Plate	1	
13	2T4-25155-00	LEVER, camshaft 1	1	
14	2E9-25151-01	CAMSHAFT	1	
15	97301-05020	BOLT	1	
16	95301-05600	NUT	1	
17	94127-10297	TIRE (2.75-10)	1	
18	94225-10112	TUBE (2.50-10)	1	
19	93306-20005	BEARING (B6200)	2	UR
	93306-20006	BEARING (B6200)	2	UR
20	2T4-25185-00	RING 1	1	
21	2E9-25137-01	RING, stoP	1	
22	2E9-25181-00	AXLE, wheel	1	
23	90387-10620	COLLAR	1	
24	90171-10004	NUT, castle	1	
25	91401-20020	PIN, cotter	1	
26	92901-10200	WASHER, Plain	1	

FIG. 22 REAR WHEEL



REF. NO.	PART NO.	DESCRIPTION	Q'TY	REMARKS
1	2T4-25390-00-35	REAR WHEEL COMP.	1	silver
2	94127-10297	TIRE (2.75-10)	1	UR silky brown
3	94225-10112	TUBE (2.50-10)	1	UR
4	2T4-25321-00-35	PLATE, brake shoe	1	silver
5	451-25130-00	BRAKE SHOE COMP.	2	
6	90506-14081	SPRING, tension	2	
7	2T4-25355-01	LEVER, camshaft	1	UR
8	451-25151-00	CAMSHAFT	1	UR
9	90101-05396	BOLT	1	
10	2E9-25412-00	WASHER	1	
11	2T4-25336-00	RING 2	1	UR
12	97301-08025	BOLT	3	UR
13	90185-12046	NUT, self-locking	1	UR
14	90201-12699	WASHER, Plate	1	
15	2T4-25412-00	WASHER	3	
16	90201-15700	WASHER, Plate	1	

REMARKS

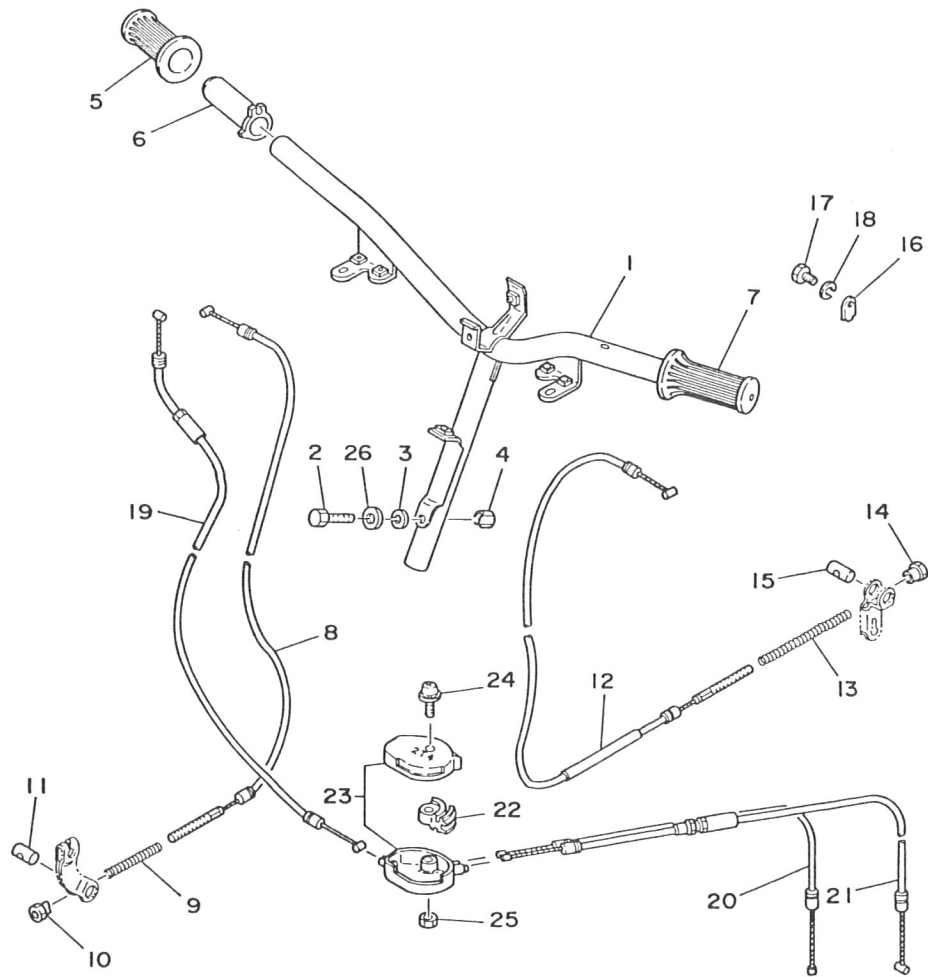
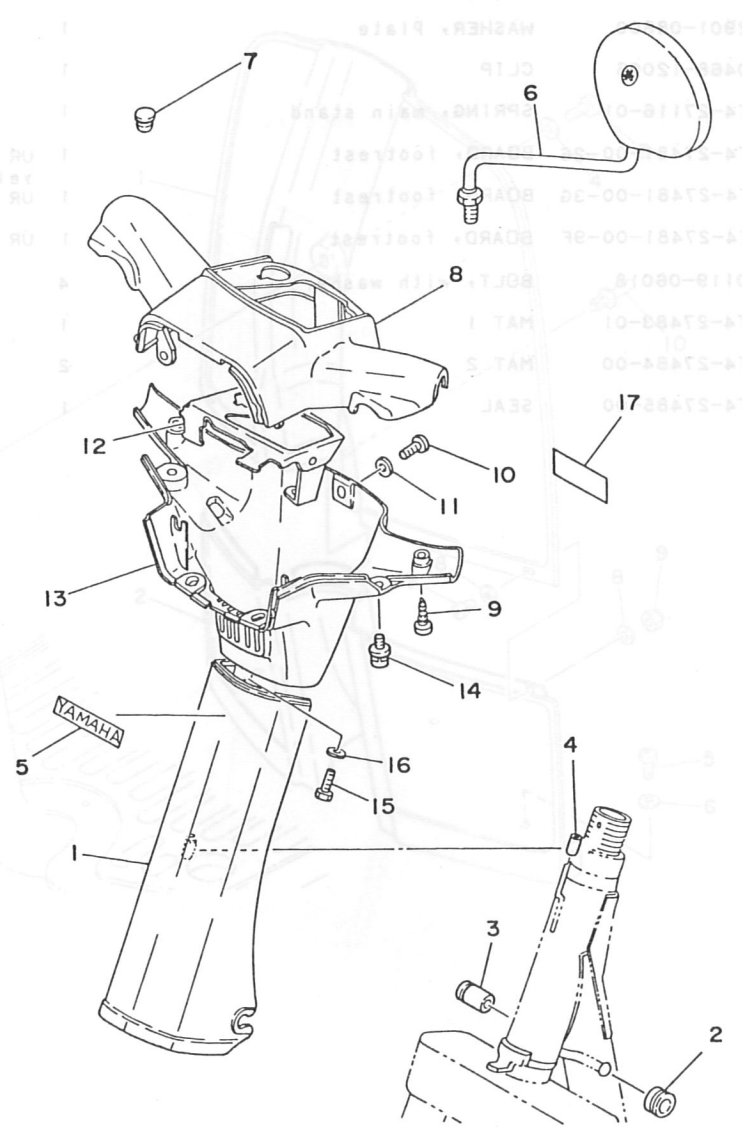


FIG. 23 HANDLEBAR CABLE

REF. NO.	PART NO.	DESCRIPTION	Q'TY	REMARKS
1	2T4-26110-01	HANDLE COMP.	1	
2	90109-08507	BOLT	1	
3	92901-08100	WASHER, sPring	1	
4	90179-08258	NUT	1	
5	2E9-26242-00	GRIP (R.H)	1	
6	2E9-26243-00	TUBE, throttle guide	1	
7	2E9-26241-00	GRIP (L.H)	1	
8	2T4-26341-00	CABLE, brake	1	
9	90501-10513	SPRING, compResion	1	
10	90179-06176	NUT	1	
11	90249-12008	PIN	1	
12	2T4-26351-01	CABLE, brake	1	
13	90501-10532	SPRING, compResion	1	
14	90179-06176	NUT	1	
15	90249-12008	PIN	1	
16	2E9-26393-00	HOLDER	1	
17	97301-06012	BOLT	1	
18	92901-06100	WASHER, sPring	1	
19	2T4-26311-01	CABLE, throttle 1	1	
20	2T4-26312-00	CABLE, throttle 2	1	
21	2T4-26321-00	CABLE, PumP	1	
22	2E9-26263-01	PIECE, connecting	1	
23	2T4-26270-00	CABLE CONNECTOR CAP ASSY	1	
24	90159-05029	SCREW, with washer	1	
25	90176-05024	NUT, crown	1	
26	2E9-26129-00	WASHER	1	

FIG. 24 COWLING

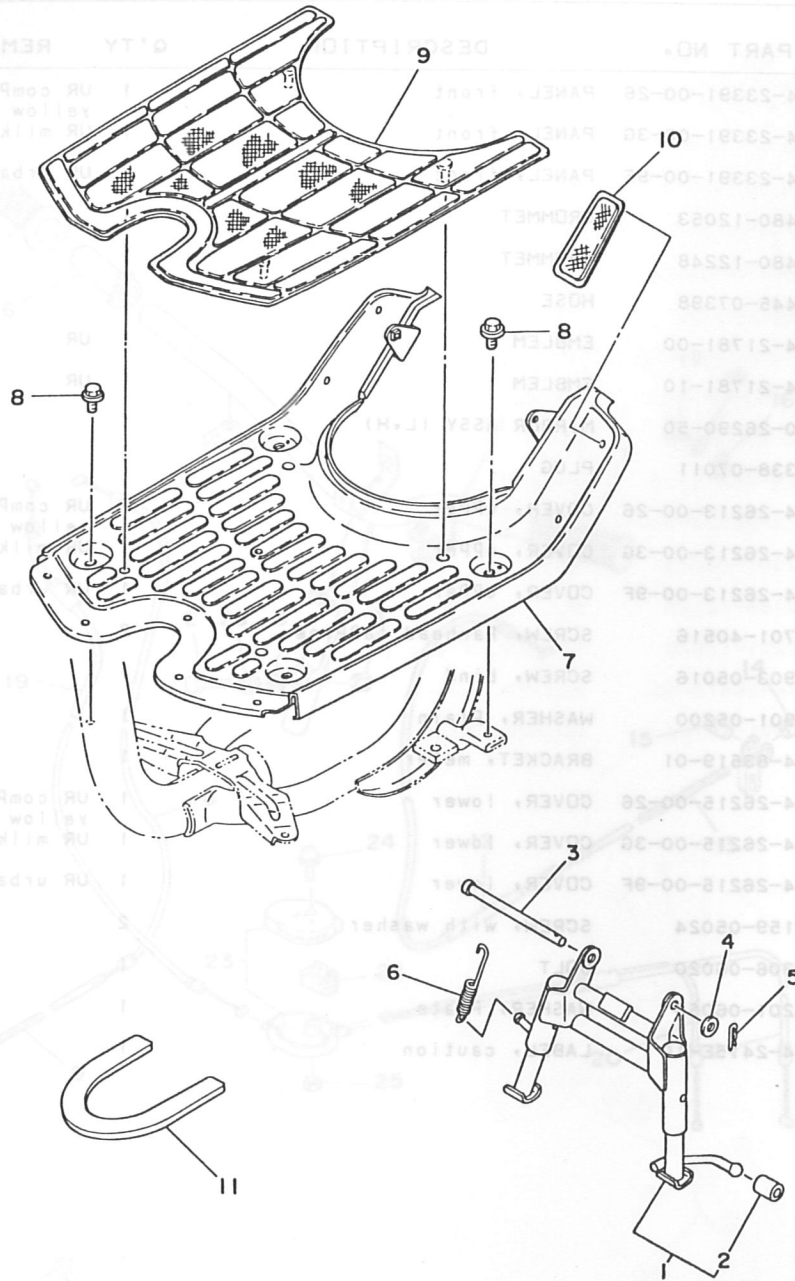
REF. NO.	PART NO.	DESCRIPTION	Q'TY	REMARKS
----------	----------	-------------	------	---------



REF. NO.	PART NO.	DESCRIPTION	Q'TY	REMARKS
1	2T4-23391-00-26	PANEL, front	1	UR competition yellow
2	2T4-23391-00-3G	PANEL, front	1	UR milky brown
3	2T4-23391-00-9F	PANEL, front	1	UR urban blue
4	90480-12053	GROMMET	1	
5	90480-12248	GROMMET	1	
6	90445-07398	HOSE	1	
7	2T4-21781-00	EMBLEM 1	1	UR
8	2T4-21781-10	EMBLEM 1	1	UR
9	1Y0-26290-50	MIRROR ASSY (L.H)	1	
10	90338-07011	PLUG	1	
11	2T4-26213-00-26	COVER, upper	1	UR competition yellow
12	2T4-26213-00-3G	COVER, upper	1	UR milky brown
13	2T4-26213-00-9F	COVER, upper	1	UR urban blue
14	97701-40516	SCREW, Panhead tapping	2	
15	98903-05016	SCREW, bind	1	
16	92901-05200	WASHER, Plain	1	
17	2T4-83519-01	BRACKET, meter	1	
18	2T4-26215-00-26	COVER, lower	1	UR competition yellow
19	2T4-26215-00-3G	COVER, lower	1	UR milky brown
20	2T4-26215-00-9F	COVER, lower	1	UR urban blue
21	90159-05024	SCREW, with washer	2	
22	97306-06020	BOLT	1	
23	90201-06050	WASHER, Plate	1	
24	2T4-2415E-10	LABEL, caution	1	

FWD

FIG. 25 STAND•FOOTREST

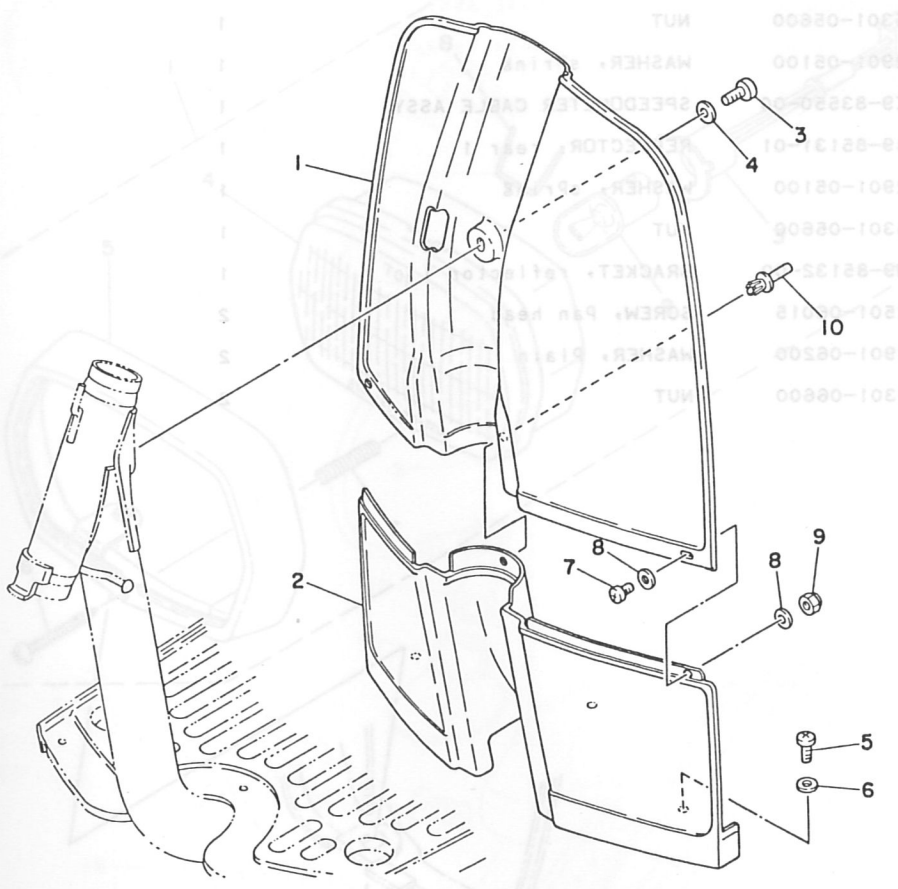


REF. NO.	PART NO.	DESCRIPTION	Q'TY	REMARKS
1	2T4-27100-03	MAIN STAND ASSY	1	
2	278-27314-00	•STOPPER	1	
3	91701-08120	PIN, clevis	1	
4	92901-08600	WASHER, Plate	1	
5	90468-12006	CLIP	1	
6	2T4-27116-01	SPRING, main stand	1	
7	2T4-27481-00-26	BOARD, footrest	1	UR comPetition yellow
	2T4-27481-00-3G	BOARD, footrest	1	UR milky brown
	2T4-27481-00-9F	BOARD, footrest	1	UR urban blue
8	90119-06018	BOLT, with washer	4	
9	2T4-27483-01	MAT 1	1	
10	2T4-27484-00	MAT 2	2	
11	2T4-27485-00	SEAL	1	

FIG. 26 LEG SHIELD

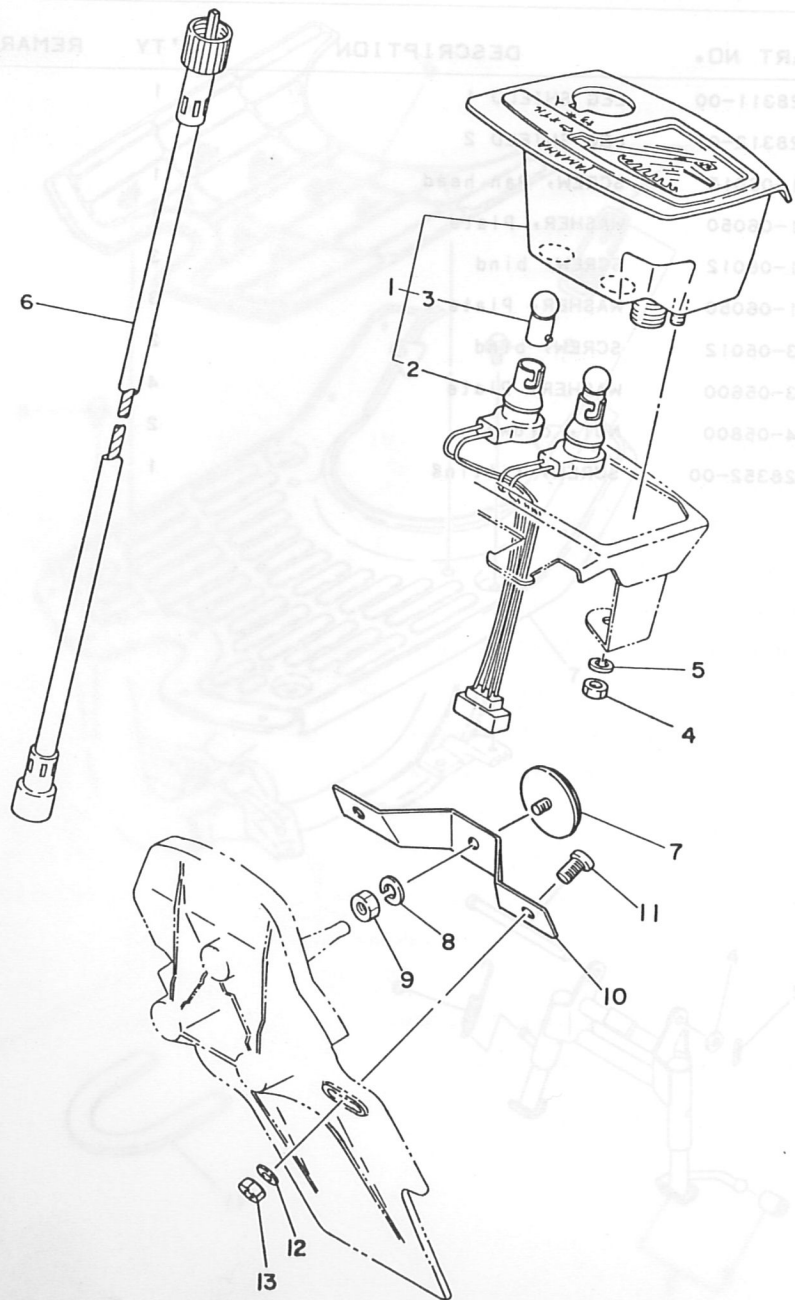
REF. NO.	PART NO.	DESCRIPTION	Q'TY	REMARKS
----------	----------	-------------	------	---------

1	3W9-28311-00	LEG SHIELD 1	1	
2	2T4-28312-01	LEG SHIELD 2	1	
3	92501-06015	SCREW, Pan head	1	
4	90201-06050	WASHER, Plate	1	
5	98901-06012	SCREW, bind	3	
6	90201-06050	WASHER, Plate	3	
7	98903-05012	SCREW, bind	2	
8	92903-05600	WASHER, Plate	4	
9	95304-05800	NUT, crown	2	
10	2T4-28352-00	SCREW, fitting	1	



FWD

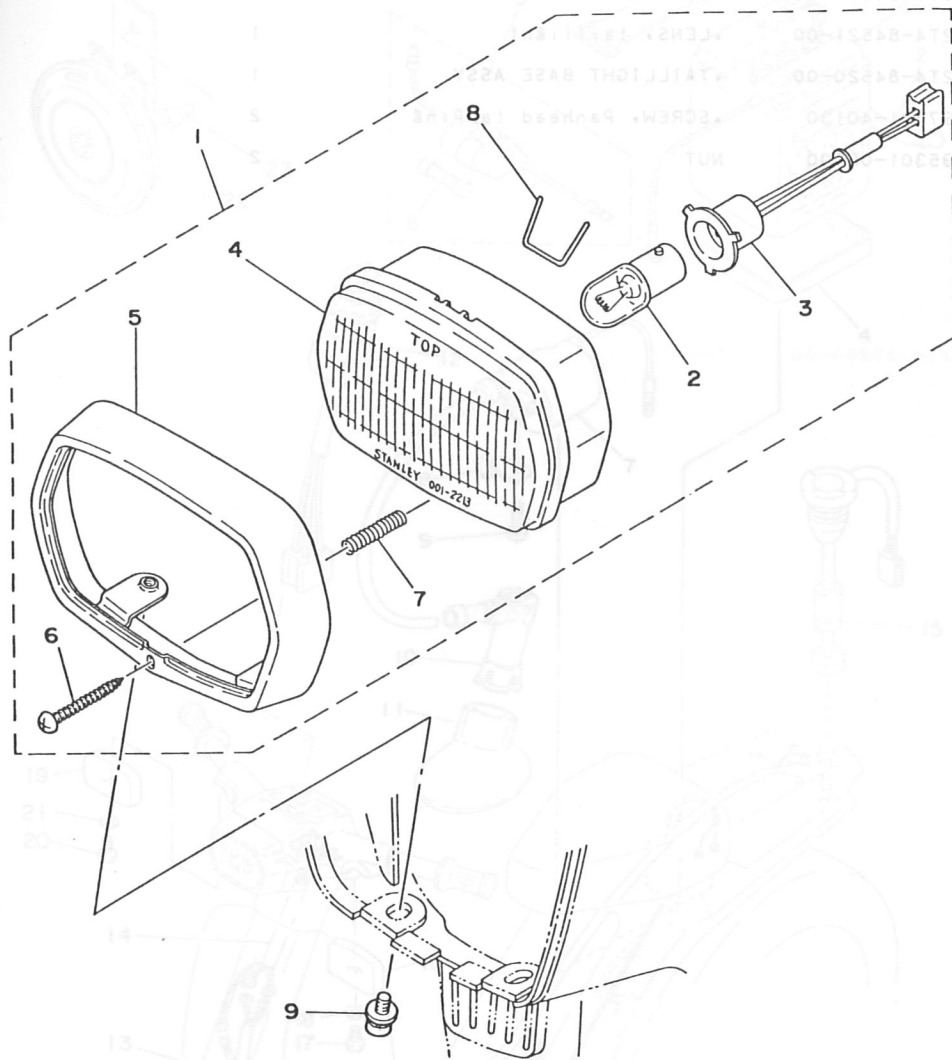
FIG. 27 SPEEDOMETER



REF. NO.	PART NO.	DESCRIPTION	Q'TY	REMARKS
1	2T4-83510-F0	SPEEDOMETER ASSY	1	km/h
2	2T4-83509-00	•SOCKET CORD ASSY	1	
3	122-83516-10	•BULB (6V-3W)	2	
4	95301-05600	NUT, Plate	1	
5	92901-05100	WASHER, sPring	1	
6	2E9-83550-00	SPEEDOMETER CABLE ASSY	1	
7	449-85131-01	REFLECTOR, rear 1	1	OR color yellow
8	92901-05100	WASHER, sPring	1	OR color brown
9	95301-05600	NUT	1	OR color blue
10	3W9-85132-00	BRACKET, reflector 1	1	
11	92501-06015	SCREW, Pan head	2	
12	92901-06200	WASHER, Plain	2	
13	95301-06600	NUT	2	

FWD

FIG. 28 HEADLIGHT



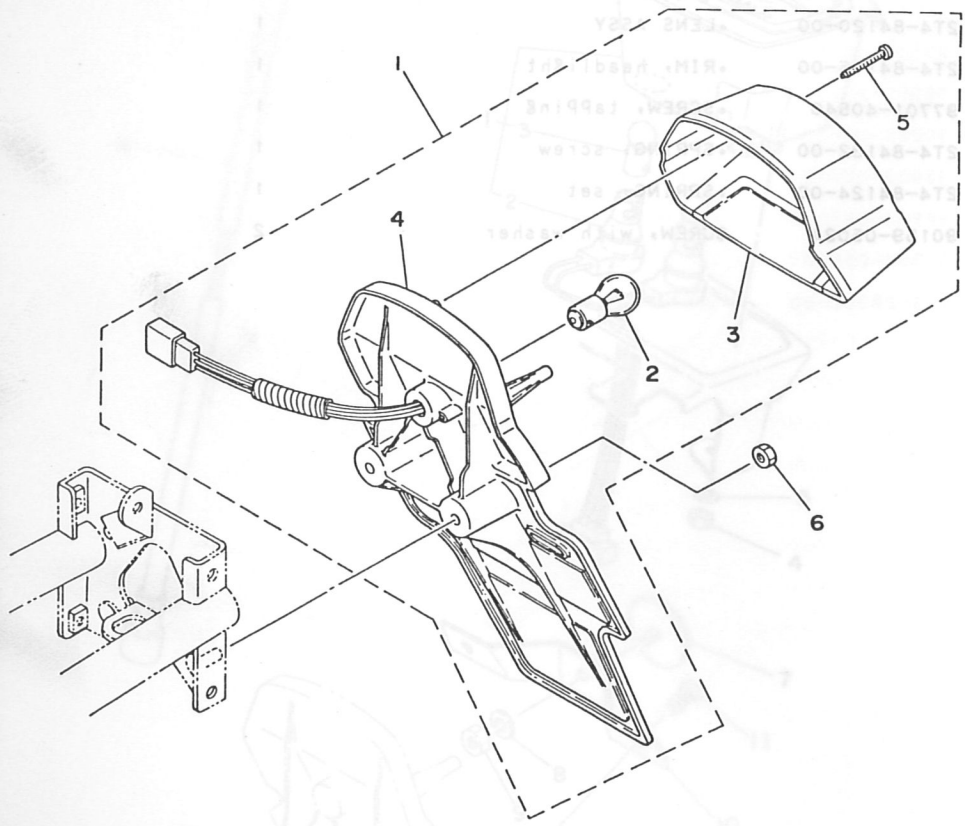
REF. NO.	PART NO.	DESCRIPTION	Q'TY	REMARKS
1	2T4-84110-00	HEADLIGHT UNIT ASSY	1	
2	206-84114-60	•BULB (6V-25/25W)	1	
3	2T4-84140-00	•SOCKET CORD ASSY	1	
4	2T4-84120-00	•LENS ASSY	1	
5	2T4-84115-00	•RIM, headlight	1	
6	97701-40540	•SCREW, tapping	1	
7	2T4-84132-00	•SPRING, screw	1	
8	2T4-84124-00	•SPRING, set	1	
9	90159-05024	SCREW, with washer	2	

FWD

FIG. 29 TAILLIGHT

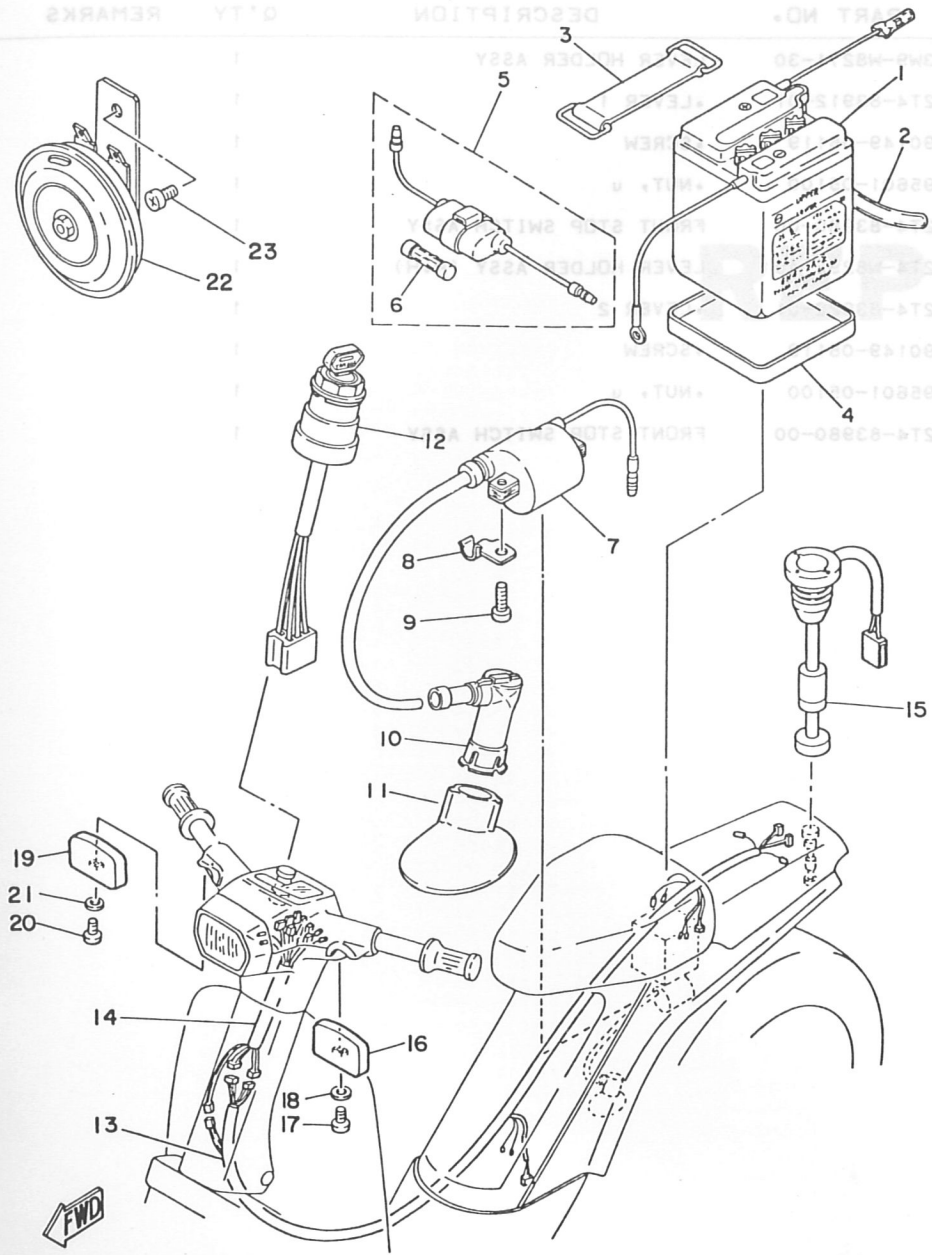
REF. NO.	PART NO.	DESCRIPTION	Q'TY	REMARKS
----------	----------	-------------	------	---------

1	3W9-84500-10	TAILLIGHT ASSY	1	
2	1Y1-84514-30	•BULB	1	
3	2T4-84521-00	•LENS, taillight	1	
4	2T4-84520-00	•TAILLIGHT BASE ASSY	1	
5	97701-40130	•SCREW, Panhead tapping	2	
6	95301-06600	NUT	2	



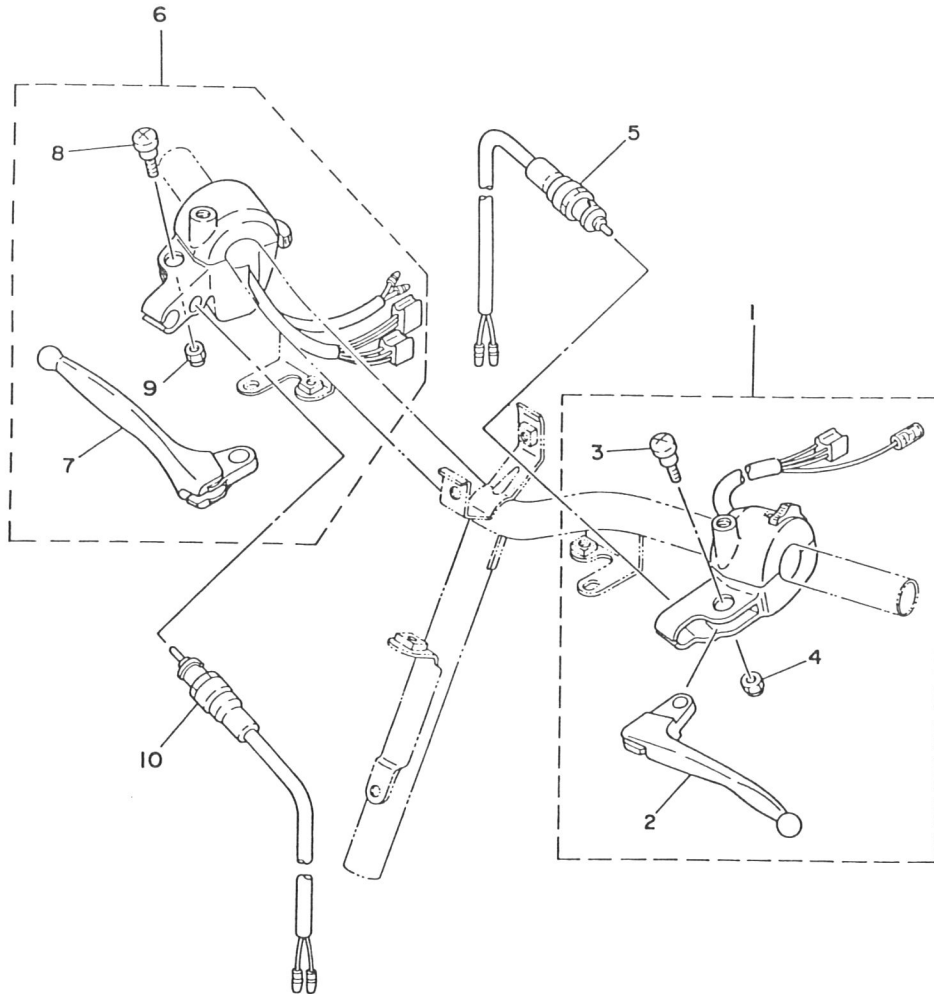
FWD

FIG. 30 ELECTRICAL 1



REF. NO.	PART NO.	DESCRIPTION	Q'TY	REMARKS
1	120-82110-12	BATTERY ASSY (G.S. 6N4-2A-2)	1	UR
	120-82110-21	BATTERY ASSY (F.B. 6N4-2A-2)	1	UR
	120-82110-31	BATTERY ASSY (YUASA 6N4-2A-2)	1	UR
2	90445-08383	HOSE	1	
3	2T4-82131-00	BAND, battery	1	
4	268-82122-00	SEAT, battery	1	
5	353-82150-00	FUSE HOLDER ASSY	1	
6	116-82151-00	•FUSE (6V-10A)	1	
7	2T4-82310-M0	IGNITION COIL ASSY	1	
8	2T4-82594-00	CLAMP	1	
9	92501-06015	SCREW, Pan head	1	
10	512-82370-10	PLUG CAP ASSY	1	with noise sup- Presser
11	3W9-82372-00	SEAL, Plug cap	1	
12	2T4-82510-A0	MAIN SWITCH ASSY	1	
13	2T4-82590-22	WIRE HARNESS ASSY	1	
14	2T4-82580-21	WIRE HARNESS ASSY 2	1	
15	2T4-85720-00	OIL LEVEL GAUGE ASSY	1	
16	3W9-83319-00	PLUG, blind	1	
17	98501-05010	SCREW, Pan head	1	
18	92901-05600	WASHER, Plate	1	
19	3W9-83329-00	PLUG, blind	1	
20	98501-05010	SCREW, Pan head	1	
21	92901-05600	WASHER, Plate	1	
22	2E9-83371-10	HORN	1	
23	92501-06008	SCREW, Pan head	1	

FIG. 31 HANDLE SWITCH•LEVER



REF. NO.	PART NO.	DESCRIPTION	Q'TY	REMARKS
1	3W9-W8271-30	LEVER HOLDER ASSY	1	
2	2T4-83912-01	•LEVER 1	1	
3	90149-05119	•SCREW	1	
4	95601-05100	•NUT, u	1	
5	2T4-83980-00	FRONT STOP SWITCH ASSY	1	
6	2T4-W8292-40	LEVER HOLDER ASSY (R•H)	1	
7	2T4-83922-01	•LEVER 2	1	
8	90149-05119	•SCREW	1	
9	95601-05100	•NUT, u	1	
10	2T4-83980-00	FRONT STOP SWITCH ASSY	1	

FWD

REF. NO. PART NO. DESCRIPTION Q'TY REMARKS

REPAIR KIT

REF. NO.	PART NO.	DESCRIPTION	Q'TY	REMARKS
1	4K2-11830-00	PISTON ASSY (STD)	1	
2	4K2-11831-00-X0	PISTON (STD)	1	UR
3	2E2-11833-00	PIN, Piston	1	
4	2E0-11810-02	PISTON RING SET (STD)	1	
5	93450-11021	CIRCLIP	2	
6	2E2-11830-11	PISTON ASSY (1ST Q'RT)	1	
7	2E2-11832-00	PISTON (1ST Q'RT 0.25)	1	
8	2E2-11833-00	PIN, Piston	1	
9	2E0-11810-12	PISTON RING SET (1ST Q'RT)	1	
10	93450-11021	CIRCLIP	2	
11	2E2-11830-21	PISTON ASSY (2ND Q'RT)	1	
12	2E2-11832-00	PISTON (2ND Q'RT 0.50MM)	1	
13	2E2-11833-00	PIN, Piston	1	
14	2E0-11810-22	PISTON RING SET (2ND Q'RT)	1	
15	93450-11021	CIRCLIP	2	
16	2E2-11850-00	CONNECTING ROD ASSY	1	
17	2E2-11881-00	PIN, Crank I	1	
18	93310-21877	BEARING, cylindrical	1	
19	2E2-11881-00	ROD, connecting	1	
20	93310-21038	BEARING, cylindrical	1	

FIG. 32 REPAIR KIT

REF. NO.	PART NO.	DESCRIPTION	Q'TY	REMARKS
1	4K5-11630-00	PISTON ASSY (STD)	1	
2	4K5-11631-00-X0	•PISTON (STD)	1	UR
3	2E9-11633-00	•PIN, Piston	1	
4	260-11610-02	•PISTON RING SET (STD)	1	
5	93450-11021	•CIRCLIP	2	
6	2E9-11630-11	PISTON ASSY (1ST O/S)	1	
7	2E9-11635-00	•PISTON (1ST O/S 0.25MM)	1	
8	2E9-11633-00	•PIN, Piston	1	
9	260-11610-12	•PISTON RING SET (1ST O/S)	1	
10	93450-11021	•CIRCLIP	2	
11	2E9-11630-21	PISTON ASSY (2ND O/S)	1	
12	2E9-11636-00	•PISTON (2ND O/S 0.50MM)	1	
13	2E9-11633-00	•PIN, Piston	1	
14	260-11610-22	•PISTON RING SET (2ND O/S)	1	
15	93450-11021	•CIRCLIP	2	
16	2E9-11650-00	CONNECTING ROD ASSY	1	
17	2E9-11681-00	•PIN, crank 1	1	
18	93310-416F7	•BEARING, cylindrical	1	
19	2E9-11651-00	•ROD, connecting	1	
20	93310-21038	•BEARING, cylindrical	1	

FIG. 31 HANDLE SWITCH-LEVER

REF. NO.	PART NO.	DESCRIPTION	Q'TY	REMARKS
1	3M9-48271-00	LEVER HOLDER ASSY	1	
2	2T4-83812-01	•LEVER 1	1	
3	90149-05119	•SCREW	1	
4	95801-05100	•NUT, u	1	
5	2T4-83980-00	FRONT STOP SWITCH ASSY	1	
6	3M9-48271-00	LEVER HOLDER ASSY (R-H)	1	
7	2T4-83812-01	•LEVER 2	1	
8	90149-05119	•SCREW	1	
9	95801-05100	•NUT, u	1	
10	2T4-83980-00	FRONT STOP SWITCH ASSY	1	

NUMERICAL INDEX

PART NO.	REF. NO.	PART NO.	REF. NO.
2T4-W0017-00	7-32	4K5-13101-00	5-1
2T4-W0018-00	7-33	2E9-13124-00	5-13
2T4-W2471-01	20-1	384-13138-00	5-6
3W9-W8271-30	31-1	2E9-13174-00	5-16
2T4-W8292-40	31-6	2E9-13178-01	5-17
2T4-1111F-00	1-2	3W9-13555-00	6-6
2T4-11111-10	1-1	2T4-13610-01	6-1
2E9-11161-02	4-4	2E9-13613-02	6-2
517-11181-00	1-8	2T4-13616-00	6-3
2T4-11311-01	1-10	3W9-14124-00	7-5
2E9-11351-00	1-11	2T4-14126-00	7-3
2T4-11400-10	2-1	2T4-14136-00	7-9
2T4-11412-10	2-2	2T4-14137-00	7-10
2T4-11422-10	2-6	288-14161-00	7-6
260-11610-02	2-17	2T4-14168-00	7-2
	32-4	367-14169-00	7-4
260-11610-12	2-17	2T4-14191-01	7-25
	32-9	2T4-14211-00	7-15
260-11610-22	2-17	2T4-14212-00	7-16
	32-14	2T4-14227-00	7-26
4K5-11630-00	32-1	3W9-14301-00	7-1
2E9-11630-11	32-6	3W9-14312-25	7-7
2E9-11630-21	32-11	2T4-14323-00	7-17
4K5-11631-00-A0	2-15	2T4-14325-00	7-31
		367-14325-00	7-27
4K5-11631-00-X0	2-15	2T4-14331-00	7-8
	32-2	3W9-14336-00	7-11
4K5-11631-00-Y0	2-15	2T4-14337-00	7-18
		3W9-14341-00	7-12
2E9-11633-00	2-16	288-14343-36	7-13
	32-3	288-14343-37	7-13
	32-8	288-14343-38	7-13
	32-13	2T4-14353-19	7-14
4K5-11635-00	2-15	2T4-14353-20	7-14
	32-7	2T4-14353-21	7-14
4K5-11636-00	2-15	2T4-14357-00	7-29
	32-12	3W9-14381-19	7-22
2E9-11650-00	32-16	3W9-14381-20	7-22
2E9-11651-00	2-5	3W9-14381-21	7-22
	32-19	2T4-14384-00	7-23
2E9-11681-00	2-3	2T4-14385-00	7-19
	32-17	367-14386-00	7-20
2T4-12242-02	12-6	2T4-14392-00	7-21
2E9-12611-01	4-13	2T4-14397-00	7-28
2T4-12631-01	4-5	2T4-14399-02	1-6
2T4-12651-01	4-1	2T4-14399-10	1-6
2E9-12652-01	4-3	2T4-14411-00	6-11
2T4-12653-00	4-9	2T4-14412-00	6-12

NUMERICAL INDEX

PART NO.	REF. NO.	PART NO.	REF. NO.	PART NO.	REF. NO.	PART NO.	REF. NO.	PART NO.	REF. NO.
2T4-21710-00	15-1	2E9-14437-01	6-14	2T4-21710-00	15-1	2T4-23418-01	18-20	2T4-26213-00-3G	24-8
2T4-21717-00	15-16	2T4-14451-00	6-13	2T4-21717-00	15-16	2E9-23454-00	18-14	2T4-26213-00-9F	24-8
2T4-21721-00-26	15-4	2T4-14453-00	6-8	2T4-21721-00-26	15-4	2T4-24110-02-Y0	19-1	2T4-26215-00-26	24-13
2T4-21721-00-3G	15-4	3W9-14610-00	8-1	2T4-21721-00-3G	15-4	2T4-2415E-10	24-17	2T4-26215-00-3G	24-13
2T4-21721-00-9F	15-4	2E9-14613-00	8-2	2T4-21721-00-9F	15-4	1G7-24164-00	19-21	2T4-26215-00-9F	24-13
2T4-21731-00-26	15-17	807-14617-00	11-5	2T4-21731-00-26	15-17	2E9-24181-00	16-8	2E9-26241-00	23-7
2T4-21731-00-3G	15-17	4K5-14718-00-Y0	8-6	2T4-21731-00-3G	15-17	2T4-24183-00	14-14	2E9-26242-00	23-5
2T4-21731-00-9F	15-17	2T4-15110-00	9-1	2T4-21731-00-9F	15-17	2T4-24260-02	19-7	2E9-26243-00	23-6
2T4-21741-00-26	15-10	2T4-15120-00	9-9	2T4-21741-00-26	15-10	3L5-24268-00	19-8	2E9-26263-01	23-22
2T4-21741-00-3G	15-10	2T4-15317-00	9-11	2T4-21741-00-3G	15-10	2T4-24311-00	19-10	2T4-26270-00	23-23
2T4-21741-00-9F	15-10	2T4-15363-00	9-17	2T4-21741-00-9F	15-10	677-24444-00	7-24	2T4-26288-01	13-12
2T4-21748-02	15-8	2E9-15371-01	9-15	2T4-21748-02	15-8	2T4-24500-02	19-14	1Y0-26290-50	24-6
	15-14	498-15371-00	9-5		15-14	2T4-24514-01	19-16	2T4-26311-01	23-19
2T4-21749-02	15-9	2T4-15411-00-Y0	9-13	2T4-21749-02	15-9	2T4-24521-00	19-17	2T4-26312-00	23-20
	15-15	2E9-15416-00	9-22		15-15	2T4-24564-00	19-15	2T4-26321-00	23-21
2T4-21751-01	16-1	2T4-15451-00	9-14	2T4-21751-01	16-1	296-24610-00	19-2	2T4-26341-00	23-8
2T4-21752-02	16-2	2T4-15451-00	9-14	2T4-21752-02	16-2	2T4-24711-01	20-2	2T4-26351-01	23-12
2T4-21753-01	16-4	4K5-15612-00	10-9	2T4-21753-01	16-4	2T4-24723-00	20-6	2E9-26393-00	23-16
3L5-21770-01	16-5	2T4-15618-00	10-13	3L5-21770-01	16-5	2T4-24726-00	20-3	2T4-27100-03	25-1
2T4-21781-00	24-5	4K5-15620-00	10-8	2T4-21781-00	24-5	1L9-24741-00	20-10	2T4-27116-01	25-6
2T4-21781-10	24-5	2E9-15631-00	10-18	2T4-21781-10	24-5	3L4-24841-00	18-15	2T4-27314-00	25-2
2T4-21782-00	15-20	2E9-15641-00	10-5	2T4-21782-00	15-20	2T4-24842-01	20-7	2T4-27481-00-26	25-7
2T4-21783-00	15-21	2E9-15650-00	10-15	2T4-21783-00	15-21	2T5-24865-00	18-16	2T4-27481-00-3G	25-7
2T4-21783-10	15-21	2E9-15659-00	10-16	2T4-21783-10	15-21	2E9-25116-00	21-3	2T4-27481-00-9F	25-7
2T4-22210-02	17-1	2E9-15661-00	10-1	2T4-22210-02	17-1	2T4-25121-00-35	21-5	2T4-27483-01	25-9
164-22216-00	9-2	2E9-15673-00	10-19	164-22216-00	9-2	2E9-25129-00	21-6	2T4-27484-00	25-10
3W9-23100-00-26	18-1	2E9-16611-01	11-1	3W9-23100-00-26	18-1	2E9-25129-00	21-6	2T4-27485-00	25-11
3W9-23100-00-3G	18-1	2E9-16620-00	11-2	3W9-23100-00-3G	18-1	2E9-25130-00	21-7	2T4-27485-00	25-11
3W9-23100-00-9F	18-1	2E9-16629-00	11-3	3W9-23100-00-9F	18-1	451-25130-00	22-5	2T4-28100-11	20-11
2T4-23110-00-93	18-2	3W9-17410-00	12-1	2T4-23110-00-93	18-2	2E9-25133-00	21-8	3W9-28311-00	26-1
2T4-23120-00-93	18-3	3W9-17420-00	12-15	2T4-23120-00-93	18-3	2E9-25135-00	21-11	2T4-28312-01	26-2
2T4-23141-02	18-6	2T4-17467-00	12-12	2T4-23141-02	18-6	2E9-25137-01	21-21	2T4-28352-00	26-10
2E9-23143-00	18-8	2T4-17477-00	12-13	2E9-23143-00	18-8	2T4-25137-00	21-9	2T4-8131X-M1	3-7
2T4-23195-00	18-7	2T4-17497-03	12-11	2T4-23195-00	18-7	2E9-25138-00	21-10	2T4-81313-M0	3-5
2T4-23311-00-26	18-9	3W9-21110-00-6A	13-1	2T4-23195-00	18-7	2E9-25151-01	21-14	353-81970-50	3-22
2T4-23311-00-3G	18-9	2T4-2139X-00	13-13	2T4-23311-00-26	18-9	451-25151-00	22-8	353-81970-63	3-22
2T4-23311-00-9F	18-9	2T4-21393-02	13-7	2T4-23311-00-3G	18-9	2T4-25155-00	21-13	120-82110-12	30-1
3W9-23340-00-26	18-4	2T4-21410-01	13-6	2T4-23311-00-9F	18-9	2T4-25180-00-35	21-1	120-82110-21	30-1
3W9-23340-00-3G	18-4	2T4-21471-03	13-16	3W9-23340-00-26	18-4	2E9-25181-00	21-22	120-82110-31	30-1
3W9-23340-00-9F	18-4	2T4-21481-01	13-4	3W9-23340-00-3G	18-4	2T4-25185-00	21-20	2T4-82121-00	13-11
2T4-23391-00-26	24-1	3W9-21511-00-26	14-1	3W9-23340-00-9F	18-4	2T4-25321-00-35	22-4	268-82122-00	30-4
2T4-23391-00-3G	24-1	3W9-21511-00-3G	14-1	2T4-23391-00-26	24-1	2T4-25336-00	22-11	116-82131-00	20-12
2T4-23391-00-9F	24-1	3W9-21511-00-9F	14-1	2T4-23391-00-3G	24-1	2T4-25355-01	22-7	2T4-82131-00	30-3
1G1-23408-10	13-19	2T4-21518-01	14-5	2T4-23391-00-9F	24-1	2T4-25390-00-35	22-1	353-82150-00	30-5
2E9-23411-01	18-10	2E9-21521-00	14-6	1G1-23408-10	13-19	2E9-25412-00	22-10	116-82151-00	30-6
2E9-23412-00	18-11	2E9-21522-01	14-7	2E9-23411-01	18-10	2T4-25412-00	22-15	2T4-82310-M0	30-7
2E9-23413-01	18-12	3W9-21522-00	14-11	2E9-23412-00	18-11	2T4-26110-01	23-1	512-82370-10	30-10
2E9-23414-01	18-5	2T4-21629-00	14-13	2E9-23413-01	18-12	2E9-26129-00	23-26	3W9-82372-00	30-11
		2T4-21668-10	15-19	2E9-23414-01	18-5	2T4-26213-00-26	24-8	2T4-82510-A0	30-12
								2T4-82580-21	30-14
								2T4-82590-22	30-13

NUMERICAL INDEX

PART NO.	REF. NO.	PART NO.	REF. NO.
2T4-82594-00	30- 8	90119-06018	25- 8
3W9-83319-00	30-16	90119-06019	13-17
3W9-83329-00	30-19	90122-05010	15-18
2E9-83371-10	30-22	90149-05119	31- 3
2T4-83509-00	27- 2		31- 8
2T4-83510-F0	27- 1	90149-06113	8- 3
122-83516-10	27- 3	90153-06020	4- 6
2T4-83519-01	24-12	90153-06022	9-24
2E9-83550-00	27- 6	90154-05004	19- 9
2T4-83912-01	31- 2	90159-05018	18-17
2T4-83922-01	31- 7	90159-05022	14-12
802-83923-00	4- 2	90159-05023	16-11
	16-12	90159-05024	24-14
437-83936-10	13-18		28- 9
2T4-83980-00	31- 5	90159-05029	23-24
	31-10	90159-06020	6-17
2T4-84110-00	28- 1	90167-06003	16- 6
206-84114-60	28- 2	90170-10105	5- 7
2T4-84115-00	28- 5	90170-10219	11- 7
2T4-84120-00	28- 4	90171-10004	21-24
2T4-84124-00	28- 8	90176-05024	23-25
2T4-84132-00	28- 7	90179-06176	23-10
2T4-84140-00	28- 3		23-14
3W9-84500-10	29- 1	90179-08258	23- 4
1Y1-84514-30	29- 2	90185-12046	22-13
2T4-84520-00	29- 4	90201-06050	14- 4
2T4-84521-00	29- 3		24-16
449-85131-01	27- 7		26- 4
3W9-85132-00	27-10		26- 6
2T4-85500-M0	3- 1	90201-06643	1-13
2T4-85520-M1	3- 4	90201-06655	12- 9
2E9-85540-M0	3-19	90201-06656	21-12
2T4-85550-M0	3- 2	90201-08100	19- 6
2E9-85561-M0	3- 3	90201-10140	17- 4
2T4-85568-M1	3-16	90201-12699	22-14
2T4-85569-M1	3-17	90201-12704	12- 3
2E9-85580-M1	3- 6	90201-15700	22-16
2T4-85720-00	30-15	90201-18654	10- 2
90101-05396	22- 9	90208-10012	11- 8
90105-08103	9-19	90208-12027	12- 4
90105-08121	17- 2	90209-10108	10-11
90105-10117	13- 2	90249-12008	23-11
90109-06504	20- 5		23-15
90109-06575	6- 7	90280-03017	2- 7
90109-08507	23- 2	90282-05031	11- 9
90109-08510	20- 9	90338-07011	24- 7
90116-06269	1-12	90387-06023	8- 9
90116-08281	19- 3	90387-06248	4-19
		90387-06694	12- 8

2
3
5
2
2
1
1
1
1
4
2
3
5
6
7
10
11
12
14
13

NUMERICAL INDEX

PART NO.	REF. NO.	PART NO.	REF. NO.	PART NO.	REF. NO.	PART NO.	REF. NO.	PART NO.	REF. NO.
91701-08120	25- 3	90387-10620	21-23	91701-08120	25- 3	92901-08100	23- 3	95301-05600	6-16
91830-21014	9-16	90387-12695	12- 7	91830-21014	9-16	92901-08200	15- 7		21-16
91830-22016	9- 7	90387-16619	11-10	91830-22016	9- 7		15-13		27- 4
92501-06008	13- 8	90401-10029	5- 8	92501-06008	13- 8	92901-08600	25- 4		27- 9
	30-23	90430-04004	5- 4		30-23	92901-10200	21-26	95301-06600	1-14
92501-06012	1- 3	90430-06012	6-18	92501-06012	1- 3	92901-12100	2- 9		27-13
	12-14		8-10		12-14	92901-12600	2- 8		29- 6
	18-18	90430-08119	9-20		18-18	92903-05600	26- 8	95301-08800	20- 8
	19-18	90445-05352	5-11		19-18	93101-10001	5- 2	95301-10600	17- 3
92501-06014	3-20	90445-07387	19-20	92501-06014	3-20	93102-17067	2-14	95301-12700	2-10
92501-06015	4-14	90445-07398	24- 4	92501-06015	4-14	93102-18091	10- 7	95304-05800	26- 9
	26- 3	90445-07419	7-34		26- 3	93102-20070	12-17	95601-05100	31- 4
	27-11	90445-08383	30- 2		27-11	93102-23174	2-12		31- 9
	30- 9	90445-08388	1- 4		30- 9	93106-17015	21- 4	95611-10100	13- 5
92501-06020	12-10	90445-08389	1- 5	92501-06020	12-10	93210-14104	9-18	95701-06100	20- 4
92501-06025	4-11	90445-08411	1- 7	92501-06025	4-11	93210-26240	5- 3	95701-08100	19- 5
	9-21	90445-09228	16- 9		9-21	93306-00203	9- 3	95701-10100	13- 3
92501-06045	9- 8	90445-09304	19-12	92501-06045	9- 8		9-10	97301-05020	21-15
92501-06075	4-17	90446-07153	9- 6	92501-06075	4-17	93306-20005	21-19	97301-06012	23-17
92701-06015	3-18	90460-30143	6-20	92701-06015	3-18	93306-20006	21-19	97301-06014	4- 7
92901-03100	6- 5	90460-37130	16- 3	92901-03100	6- 5	93306-20107	9- 4		13- 9
92901-04100	3-10	90461-05036	3- 8	92901-04100	3-10		12- 2	97301-06025	14- 2
	3-12	90462-06044	4-10		3-12	93306-20203	12-16	97301-08020	8- 4
	3-15	90464-20031	13-14		3-15	93306-20313	2-11	97301-08025	22-12
92901-05100	14- 9	90467-08003	16-10	92901-05100	14- 9	93310-21038	2-19	97306-06020	24-15
	27- 5		19-11		27- 5		32-20	97311-06025	10-14
	27- 8		19-13		27- 8	93310-416F7	2- 4	97701-40130	29- 5
92901-05200	24-11	90467-20023	6-10	92901-05200	24-11		32-18	97701-40516	24- 9
92901-05600	3-24	90468-02033	5-12	92901-05600	3-24	93410-14016	10- 6	97701-40540	28- 6
	14-10	90468-10081	2-13		14-10	93410-18047	10- 3	98501-03008	6- 4
	15- 3	90468-12006	25- 5		15- 3	93420-35003	12-18	98501-04006	3-11
	15- 6	90480-01141	14-15		15- 6	93430-07012	11- 6	98501-04018	3-13
	15-12	90480-01247	16- 7		15-12	93430-08006	5-10	98501-04025	3-14
	30-18	90480-12053	24- 2		30-18	93430-10016	10-17	98501-05010	14- 8
	30-21	90480-12237	8- 8		30-21	93440-10028	10-12		15- 2
92901-06100	4-15	90480-12248	24- 3	92901-06100	4-15	93440-15012	9-12		30-17
	13-10	90480-21038	9-23		13-10	93450-11021	2-18		30-20
	14- 3	90501-06490	6- 9		14- 3		32- 5	98501-05016	15- 5
	19-19	90501-10513	23- 9		19-19		32-10		15-11
	23-18	90501-10532	23-13		23-18		32-15	98501-05020	5-14
92901-06200	6-19	90501-29517	13-15	92901-06200	6-19	93505-32002	18-13	98501-05035	5-15
	27-12	90504-18005	10-10		27-12	94127-10297	21-17	98501-05070	6-15
92901-06600	3-21	90506-14081	22- 6	92901-06600	3-21		22- 2	98503-04010	3- 9
	4- 8	90506-20165	11- 4		4- 8	94225-10112	21-18		7-30
	4-12	90508-32356	10- 4		4-12		22- 3	98901-04008	5- 5
	4-16	90560-10173	21- 2		4-16	94580-12080	12- 5	98901-06012	8- 7
	4-18	91401-20020	21-25		4-18	94703-00159	1- 9		26- 5
	18-19	91609-30014	5- 9		18-19	95301-05600	3-23	98903-05012	26- 7
92901-08100	8- 5			92901-08100	8- 5				
	19- 4				19- 4				

PARTS NAME INDEX

DESCRIPTION	REF. NO.
ABSORBER 1	4- 4
AIR SHROUD, cylinder 1	4- 1
AIR SHROUD, cylinder 2	4- 3
AIR SHROUD, cylinder 3	4- 9
AXLE, kick	10- 1
AXLE, wheel	21-22
BALL	18-13
BAND, battery	20-12
*	30- 3
BAND, flap	14- 7
*	14-11
BAND, switch cord	13-18
BASE, magneto	3- 3
BASKET, front	18-16
BATTERY ASSY (F.B. 6N4-2A-2)	30- 1
BATTERY ASSY (G.S. 6N4-2A-2)	30- 1
BATTERY ASSY (YUASA 6N4-2A-2)	30- 1
BEARING (B6002)	9- 3
*	9-10
BEARING (B6200)	21-19
*	21-19
BEARING (B6201)	9- 4
*	12- 2
BEARING (B6202RS)	12-16
BEARING (B6203)	2-11
BEARING, cylindrical	2- 4
*	2-19
*	32-18
*	32-20
BOARD, footrest	25- 7
*	25- 7
*	25- 7
BODY, float chamber	7-22
*	7-22
*	7-22
BOLT	4- 7
*	6- 7
*	8- 4
*	10-14
*	13- 9
*	14- 2
*	20- 5
*	20- 9
*	21-15
*	22- 9
*	22-12
*	23- 2
*	23-17
*	24-15
BOLT, engine mounting 1	13- 4

PARTS NAME INDEX

DESCRIPTION	REF. NO.
BOLT, stud	1-12
*	19- 3
BOLT, union	5- 8
BOLT, washer based	9-19
*	13- 2
*	17- 2
BOLT, wing	15-18
BOLT, with washer	13-17
*	25- 8
BOSS, connector	16- 4
BRACKET, battery box	13- 7
BRACKET, meter	24-12
BRACKET, reflector 1	27-10
BRAKE SHOE COMP.	21- 7
*	22- 5
BREATHER	9- 5
*	9-15
BULB	29- 2
BULB (6V-25/25W)	28- 2
BULB (6V-3W)	27- 3
BUSH, rear shock absorber	9- 2
C.D.I. MAGNETO ASSY	3- 1
C.D.I. UNIT ASSY	3-19
CABLE CONNECTOR CAP ASSY	23-23
CABLE, brake	23- 8
*	23-12
CABLE, pump	23-21
CABLE, throttle 1	23-19
CABLE, throttle 2	23-20
CAMSHAFT	21-14
*	22- 8
CAP	7- 4
CAP ASSY	19- 2
CAP, cleaner case 1	6-12
CAP, mixing chamber	7- 2
CARBURETOR ASSY 1	7- 1
CARRIER, front	18-15
CARRIER, rear	20- 7
CASE, air cleaner 1	6-11
CHAIN, drive (DID270H 80L)	12- 5
CIRCLIP	2-18
*	5-10
*	9-12
*	10- 3
*	10- 6
*	10-12
*	10-17
*	11- 6

PARTS NAME INDEX

DESCRIPTION	REF. NO.
CIRCLIP	12-18
*	32- 5
*	32-10
*	32-15
CLAMP	3- 8
*	4-10
*	13-14
*	30- 8
CLAMP, hose	6-20
*	16- 3
CLIP	2-13
*	5-12
*	6-10
*	7-10
*	10-19
*	16-10
*	19-11
*	19-13
*	25- 5
CLUTCH CARRIER ASSY	11- 2
CLUTCH HOUSING COMP.	11- 1
COIL, charge	3- 4
COIL, lighting 1	3- 5
COIL, Pulser	3- 6
COLLAR	4-19
*	8- 9
*	11-10
*	12- 7
*	12- 8
*	15- 8
*	15- 9
*	15-14
*	15-15
*	21-23
COLLAR, lever 2	4- 2
*	16-12
CONNECTING ROD ASSY	32-16
CORD ASSY	3- 7
COVER, crankcase 1	9-13
COVER, kick lever	10-13
COVER, lower	24-13
*	24-13
*	24-13
COVER, oil pump	9-22
COVER, side (R.H)	15- 4
COVER, side 2	15- 4
*	15- 4
COVER, side 3	15-17
*	15-17

PARTS NAME INDEX

DESCRIPTION	REF. NO.
COVER, side 3	15-17
COVER, side 4	15-10
*	15-10
*	15-10
COVER, single seat	20- 2
COVER, upper	24- 8
*	24- 8
*	24- 8
CRANK 1	2- 2
CRANK 2	2- 6
CRANKCASE ASSY 1	9- 1
CRANKCASE ASSY 2	9- 9
CRANKSHAFT ASSY	2- 1
CUP, filter	19-17
CYLINDER 1	1-10
DAMPER	13-13
DAMPER, clutch weight	11- 3
DAMPER, locating 1	16- 8
DAMPER, locating 3	14-14
DAMPER, seat	20- 6
DAMPER, side cover	15-16
DEFLECTOR 1	4- 5
DIAPHRAGM KIT	7-32
DRIVE AXLE ASSY	12-15
DUCT	6-14
ELEMENT, air cleaner	6-13
EMBLEM 1	24- 5
*	24- 5
EMBLEM 2	15-20
EMBLEM 3	15-21
*	15-21
EMBLEM 4	19-21
ENGINE BRACKET COMP.	13- 6
EXHAUST PIPE ASSY 1	8- 1
FAN	4-13
FENDER, front	14- 1
*	14- 1
*	14- 1
FLANGE, spacer 2	21- 3
FLAP, front fender	14- 6
FLOAT	7-19
FRAME COMP	13- 1
FRONT FORK ASSY	18- 1
*	18- 1
*	18- 1
FRONT STOP SWITCH ASSY	31- 5
*	31-10
FRONT WHEEL COMP.	21- 1

PARTS NAME INDEX

DESCRIPTION	REF. NO.
FUEL COCK ASSY 1	19-14
FUEL METER ASSY	19- 7
FUEL TANK COMP.	19- 1
FUSE (6V-10A)	30- 6
FUSE HOLDER ASSY	30- 5
GASKET	5- 4
*	6-18
*	7- 3
*	7-26
*	8-10
*	9-20
*	19-15
GASKET, crankcase cover	9-14
GASKET, cylinder	1-11
GASKET, cylinder head 1	1- 8
GASKET, exhaust pipe	8- 2
GASKET, float chamber	7-23
GASKET, fuel meter	19- 8
GEAR, drive (14T)	21-11
GEAR, kick (47T)	10- 5
GEAR, kick Pinion (23T)	10-18
GEAR, meter	21-10
GEAR, Pump drive	5-17
GEAR, worm wheel (88T)	5-13
GRIP (L.H)	23- 7
GRIP (R.H)	23- 5
GROMMET	8- 8
*	9-23
*	14-15
*	16- 7
*	24- 2
*	24- 3
GROMMET, cable	13-12
GUARD, mud	14-13
GUIDE, chain 1	12-12
HANDLE COMP.	23- 1
HEAD, cylinder 1	1- 1
HEADLIGHT UNIT ASSY	28- 1
HINGE, seat	20- 3
HOLDER	23-16
HOLDER, cable	14- 5
HOLDER, oil pipe	5-16
HOLDER, spring	12-13
HORN	30-22
HOSE	1- 4
*	1- 5
*	1- 7
*	5-11

PARTS NAME INDEX

DESCRIPTION	REF. NO.
HOSE	7-34
*	9- 6
*	16- 9
*	19-12
*	19-20
*	24- 4
*	30- 2
IDLE GEAR ASSY (52T/15T)	10-15
IGNITION COIL ASSY	30- 7
INNER TUBE COMP.1	18- 2
INNER TUBE COMP.2	18- 3
JET, main (#072)	7-13
JET, main (#074)	7-13
JET, main (#076)	7-13
JET, Pilot (#038)	7-14
JET, Pilot (#040)	7-14
JET, Pilot (#042)	7-14
JOINT, air cleaner 1	6- 8
KEY, straight	11- 9
KEY, woodruff	2- 7
KICK CRANK ASSY	10- 8
LABEL, caution	24-17
LABEL, tire	15-19
LEG SHIELD 1	26- 1
LEG SHIELD 2	26- 2
LENS ASSY	28- 4
LENS, taillight	29- 3
LEVER HOLDER ASSY	31- 1
LEVER HOLDER ASSY (R.H)	31- 6
LEVER 1	31- 2
LEVER 2	31- 7
LEVER, camshaft	22- 7
LEVER, camshaft 1	21-13
LEVER, kick	10- 9
MAIN AXLE COMP.	12- 1
MAIN STAND ASSY	25- 1
MAIN SWITCH ASSY	30-12
MANIFOLD, intake	6- 6
MAT 1	25- 9
MAT 2	25-10
MIRROR ASSY (L.H)	24- 6
NEEDLE	7-11
NET, filter 1	19-16
NOZZLE, main	7-12
NUT	1-14
*	2-10
*	3-23
*	5- 7

PARTS NAME INDEX

DESCRIPTION	REF. NO.
NUT	6-16
*	11- 7
*	17- 3
*	21-16
*	23- 4
*	23-10
*	23-14
*	27- 4
*	27- 9
*	27-13
*	29- 6
NUT, cable adjusting	7- 6
NUT, castle	21-24
NUT, crown	20- 8
*	23-25
*	26- 9
NUT, fitting 2	18-14
NUT, flange	13- 3
*	19- 5
*	20- 4
NUT, self-locking	22-13
NUT, u	13- 5
*	31- 4
*	31- 9
O-RING	5- 3
*	7-28
*	9-18
OIL LEVEL GAUGE ASSY	30-15
OIL PUMP ASSY	5- 1
OIL SEAL	2-12
*	2-14
*	5- 2
*	10- 7
*	12-17
*	21- 4
OIL TANK CAP ASSY	16- 5
PAD, battery	13-11
PAD, seat	20-10
PANEL, front	24- 1
*	24- 1
*	24- 1
PANEL, outer 1	18- 9
*	18- 9
*	18- 9
PIECE, connecting	23-22
PIN	23-11
*	23-15
PIN, clevis	25- 3

PARTS NAME INDEX

DESCRIPTION	REF. NO.
PIN, cotter	21-25
PIN, crank 1	2- 3
*	32-17
PIN, dowel	9- 7
*	9-16
PIN, float	7-20
PIN, Piston	2-16
*	32- 3
*	32- 8
*	32-13
PIN, sPring	5- 9
PIPE, fuel 1	19-10
PISTON (STD)	2-15
*	2-15
*	2-15
*	32- 2
PISTON (1ST O/S 0.25MM)	2-15
*	32- 7
PISTON (2ND O/S 0.50MM)	2-15
*	32-12
PISTON ASSY (STD)	32- 1
PISTON ASSY (1ST O/S)	32- 6
PISTON ASSY (2ND O/S)	32-11
PISTON RING SET (STD)	2-17
*	32- 4
PISTON RING SET (1ST O/S)	2-17
*	32- 9
PISTON RING SET (2ND O/S)	2-17
*	32-14
PLATE	1- 2
PLATE, adjusting	5- 6
PLATE, brake shoe	21- 5
*	22- 4
PLATE, tensioner	12- 6
PLUG	24- 7
PLUG CAP ASSY	30-10
PLUG, blind	30-16
*	30-19
PLUG, drain	7-25
PLUG, oil	9-17
PLUG, sPark (NGK BP4HS)	1- 9
PLUNGER KIT	7-33
PROTECTOR, engine	13-16
PROTECTOR, muffler 1	8- 6
RACE, ball 1	18-10
RACE, ball 2	18-11

PARTS NAME INDEX

DESCRIPTION	REF. NO.
RACE, ball 3	18-12
RACE, ball 4	18- 5
REAR WHEEL COMP.	22- 1
RECTIFIER ASSY	3-22
*	3-22
REED VALVE ASSY	6- 1
REED, valve	6- 2
REFLECTOR, rear 1	27- 7
RIM, headlight	28- 5
RING 1	21-20
RING 2	22-11
RING, stoP	21- 9
*	21-21
ROD, connecting	2- 5
*	32-19
ROTOR ASSY	3- 2
RUBBER	18- 7
SCREW	7-24
*	8- 3
*	31- 3
*	31- 8
SCREW, air adjusting	7-17
SCREW, bind	5- 5
*	8- 7
*	24-10
*	26- 5
*	26- 7
SCREW, binding	19- 9
SCREW, cable adjusting	7- 5
SCREW, fitting	26-10
SCREW, flat head	3-18
SCREW, hexagon	4- 6
*	9-24
SCREW, Pan head	1- 3
*	3- 9
*	3-11
*	3-13
*	3-14
*	3-20
*	4-11
*	4-14
*	4-17
*	5-14
*	5-15
*	6- 4
*	6-15
*	7-27
*	7-30
*	7-31

PARTS NAME INDEX

DESCRIPTION	REF. NO.
SCREW, Pan head	9- 8
*	9-21
*	12-10
*	12-14
*	13- 8
*	14- 8
*	15- 2
*	15- 5
*	15-11
*	18-18
*	19-18
*	26- 3
*	27-11
*	30- 9
*	30-17
*	30-20
*	30-23
SCREW, Panhead tapping	24- 9
*	29- 5
SCREW, Pilot adjusting	7-15
SCREW, tapping	16- 6
*	28- 6
SCREW, with washer	6-17
*	14-12
*	16-11
*	18-17
*	23-24
*	24-14
*	28- 9
SEAL	25-11
SEAL, Plate dust	21- 6
SEAL, Plug cap	30-11
SEAT, battery	30- 4
SEAT, sPring	7- 9
SEAT, sPring lower	18- 8
SHAFT	10-16
SHOCK ABSORBER ASSY, rear	17- 1
SIDE COVER ASSY	15- 1
SINGLE SEAT ASSY	20- 1
SOCKET CORD ASSY	27- 2
*	28- 3
SPACER	21- 2
SPACER, engine mount	9-11
SPEEDOMETER ASSY	27- 1
SPEEDOMETER CABLE ASSY	27- 6
SPRING	12-11
SPRING, air adjusting	7-18
SPRING, comPrission	6- 9

PARTS NAME INDEX

DESCRIPTION	REF. NO.
SPRING, comPrission	10-10
*	13-15
*	23- 9
*	23-13
SPRING, front fork	18- 6
SPRING, main stand	25- 6
SPRING, Pilot adjusting	7-16
SPRING, return	21- 8
SPRING, screw	28- 7
SPRING, set	28- 8
SPRING, tension	11- 4
*	22- 6
SPRING, throttle valve	7- 8
SPRING, torsion	10- 4
STEERING LOCK ASSY	13-19
STOPPER	25- 2
STOPPER, reed valve	6- 3
TAILLIGHT ASSY	29- 1
TAILLIGHT BASE ASSY	29- 4
TANK, oil	16- 1
TERMINAL, earth 1	3-16
TERMINAL, earth 2	3-17
TIRE (2.75-10)	21-17
*	22- 2
TOOL KIT	20-11
TUBE (2.50-10)	21-18
*	22- 3
TUBE, filler 1	16- 2
TUBE, throttle guide	23- 6
UNDER BRACKET COMP.	18- 4
*	18- 4
*	18- 4
VALVE, bimetal	1- 6
*	1- 6
VALVE, needle	7-21
VALVE, throttle 1	7- 7
WASHER	10-11
*	11- 5
*	22-10
*	22-15
*	23-26
WASHER, conical sPring	11- 8
*	12- 4
WASHER, Plain	6-19
*	7-29
*	15- 7
*	15-13
*	21-26

PARTS NAME INDEX

DESCRIPTION	REF. NO.
WASHER, Plain	24-11
*	27-12
WASHER, Plate	1-13
*	2- 8
*	3-21
*	3-24
*	4- 8
*	4-12
*	4-16
*	4-18
*	10- 2
*	12- 3
*	12- 9
*	14- 4
*	14-10
*	15- 3
*	15- 6
*	15-12
*	17- 4
*	18-19
*	19- 6
*	21-12
*	22-14
*	22-16
*	24-16
*	25- 4
*	26- 4
*	26- 6
*	26- 8
*	30-18
*	30-21
WASHER, sPecial	18-20
WASHER, sPring	2- 9
*	3-10
*	3-12
*	3-15
*	4-15
*	6- 5
*	8- 5
*	13-10
*	14- 3
*	14- 9
*	19- 4
*	19-19
*	23- 3
*	23-18
*	27- 5
*	27- 8
WIRE HARNESS ASSY	30-13

PARTS NAME INDEX

DESCRIPTION	REF. NO.
WIRE HARNESS ASSY 2	30-14

COPY RIGHT: ALL RIGHTS RESERVED
NO PART OF THIS PUBLICATION MAY BE
REPRODUCED WITHOUT PERMISSION.



YAMAHA

YAMAHA MOTOR CO., LTD.
2500 SHINGAI IWATA-SHI SHIZUOKA-KEN JAPAN

PRINTED IN JAPAN
First edition Dec., 1979

T.G