

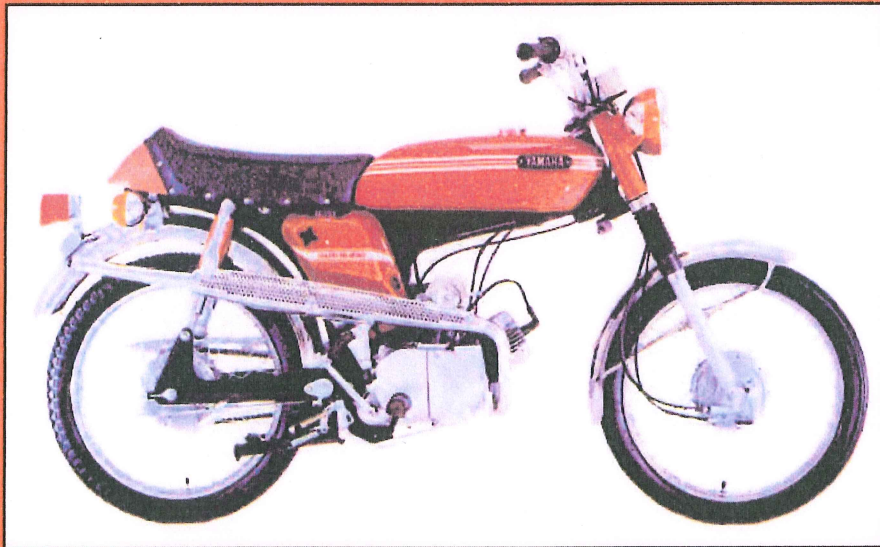


1969 - 1971

**YAMAHA**

**PARTS LIST**

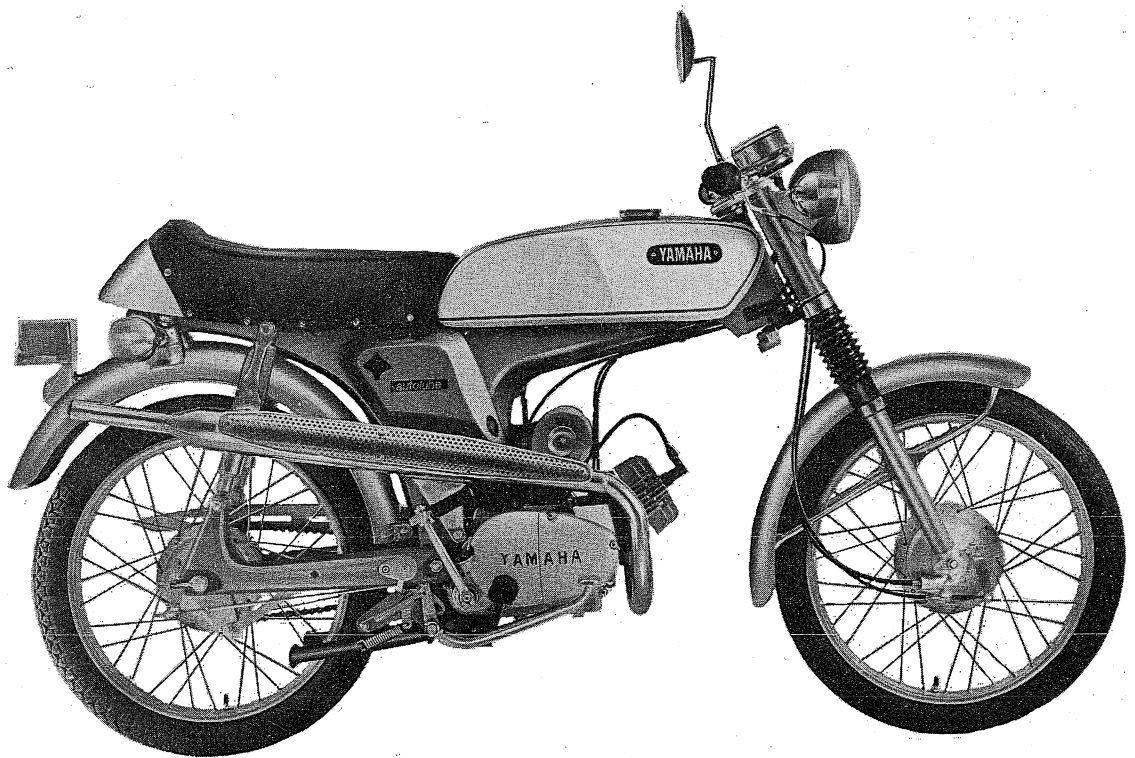
**MODEL FS1**





DAVID WILSON LTD.  
LONDON

# YAMAHA FS1







# SPECIFICATION

## MODEL FS1

OVERALL LENGTH	1,755 mm
OVERALL WIDTH	555 mm
OVERALL HEIGHT	935 mm
WHEEL BASE	1,160 mm
ROAD CLEARANCE	135 mm
NET WEIGHT	70 kg
BORE & STROKE	40 x 39.7
COMPRESSION RATIO	6.9 : 1
CYLINDER CAPACITY	49cc
MAXIMUM POWER	6 ps /9,000 rpm
MAXIMUM TORQUE	0.5 kg. m /8,000 rpm
SPEED RANGE	96 km/h
CLIMBING ABILITY	18°
STARTING SYSTEM	Kick
FUEL TANK CAPACITY	6.0 l
OIL TANK CAPACITY	1.4 l
FRONT TIRE	2.25-17-4PR
REAR TIRE	2.50-17-4PR



# Instructions on Parts List

## YAMAHA FS1

1. DIMENSIONS: All dimensions are given in millimeters with the exception of steel balls which are given in inches.

2. KEY TO SYMBOLS

- R.H . . . . . Right hand side (Viewed from the rider's seat facing forward)
- L.H . . . . . Left hand side (Viewed from the rider's seat facing forward)
- S.R . . . . . Suggested retail price
- U.R . . . . . Use size (thickness) and/or numbers as required
- ☆ . . . . . Government inspected parts
- △ . . . . . Not supplied as a single part
- S . . . . . Indicates "S" shaped circlip
- E . . . . . Indicates "E" shaped circlip
- R . . . . . Indicates "R" shaped circlip
- T . . . . . Number of teeth in a gear
- V . . . . . Voltage for light bulbs
- W . . . . . Wattage for light bulbs
- L . . . . . Length
- S . . . . . "S" type oil seal
- SD . . . . . "SD" type oil seal
- SO . . . . . "SO" type oil seal
- SW . . . . . "SW" type oil seal

3. COMPONENT PARTS: Component parts of an assembly are preceded by a dot (.) as follows:

- KICK CRANK ASS'Y
- . WASHER, spring     )
- . LEVER, kick         ) Component parts
- . PIN                   )

Component parts which are mounted on either side of the m/c. are listed in the following sequence:

- 3a).— Parts to be mounted on "LEFT SIDE" are listed first.—
- 3b).— Parts to be mounted on "RIGHT SIDE" are listed second.—
- 3c).— Parts which can be mounted on "EITHER SIDE" are listed next to the above parts.—

You are requested to be very careful, when ordering, not to make a mistake in stating the part numbers, since only a single wrong figure will entirely change the contents and will cause you to receive quite a different part. We believe that this introduction will prove a great help to you, but if you have any ambiguous point, please do not hesitate to contact us.

---

# CONTENTS

## ENGINE

Fig. 1	Crankcase .....	1
Fig. 2	Crankcase Cover .....	3
Fig. 3	Crankshaft & Piston .....	5
Fig. 4	Clutch .....	7
Fig. 5	Transmission .....	9
Fig. 6	Shifter A .....	11
Fig. 7	Shifter B .....	13
Fig. 8	Kick .....	15
Fig. 9	Air Cleaner .....	17
Fig. 10	Carburetor .....	19
Fig. 11	Muffler .....	21
Fig. 12	Oil Pump .....	23
Fig. 13	Flywheel Magneto (MITSUBISHI) .....	25
Fig. 14	Flywheel Magneto (HITACHI) .....	27

## CHASSIS

Fig. 15	Frame, Rear Cushion & Rear Fender .....	31
Fig. 16	Rear Arm & Chain Case .....	33
Fig. 17	Stand, Footrest & Rear Brake Pedal .....	35
Fig. 18	Front Fork & Front Fender .....	37
Fig. 19	Handle & Wire .....	41
Fig. 20	Fuel Tank .....	45
Fig. 21	Oil Tank .....	47
Fig. 22	Seat & Carrier .....	49
Fig. 23	Front Wheel .....	51
Fig. 24	Rear Wheel .....	53
Fig. 25	Head Lamp & Speedometer .....	57
Fig. 26	Tail Lamp .....	59
Fig. 27	Flasher Lamp .....	61
Fig. 28	Electrical .....	63

## NUMERICAL INDEX

**ENGINE**

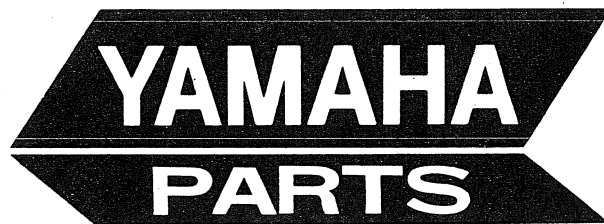
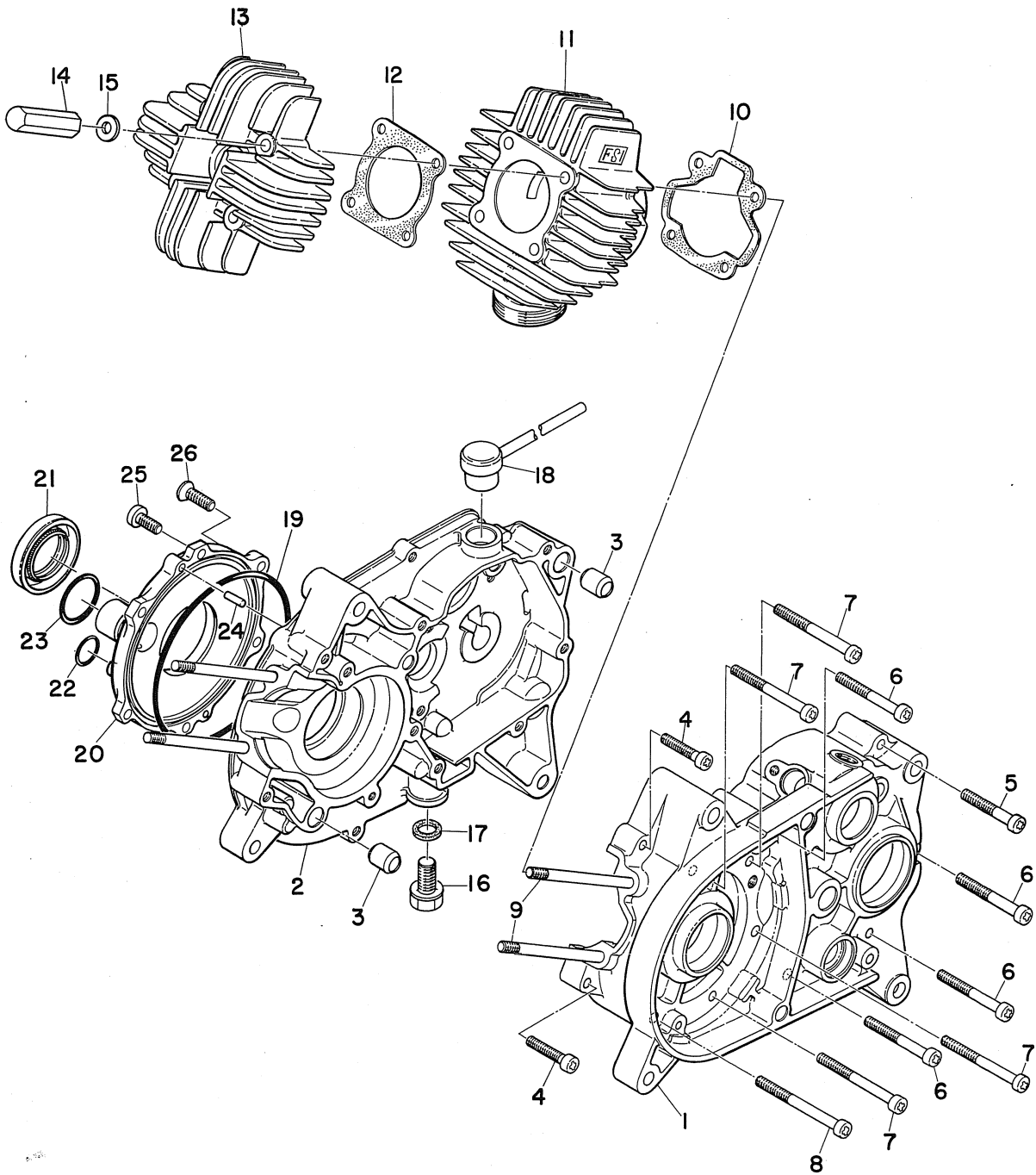








Fig. 1 CRANKCASE

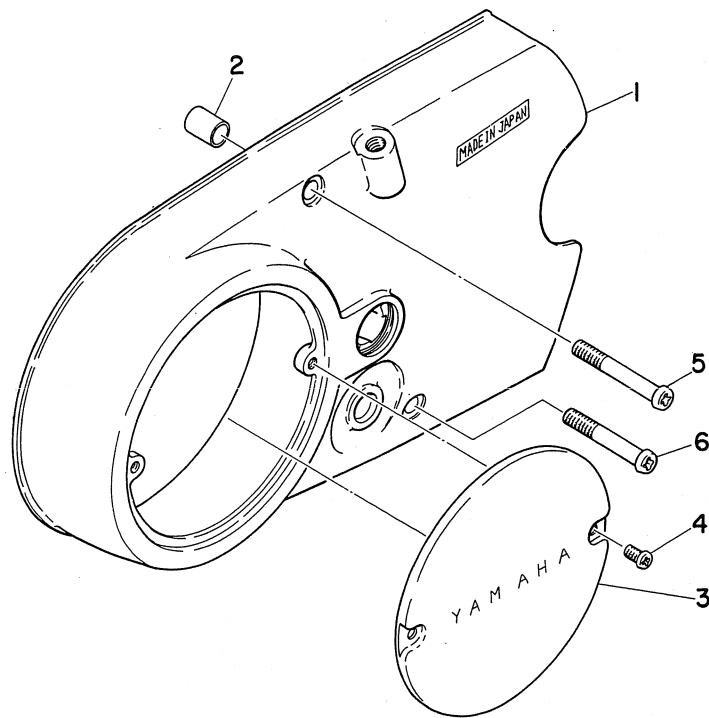
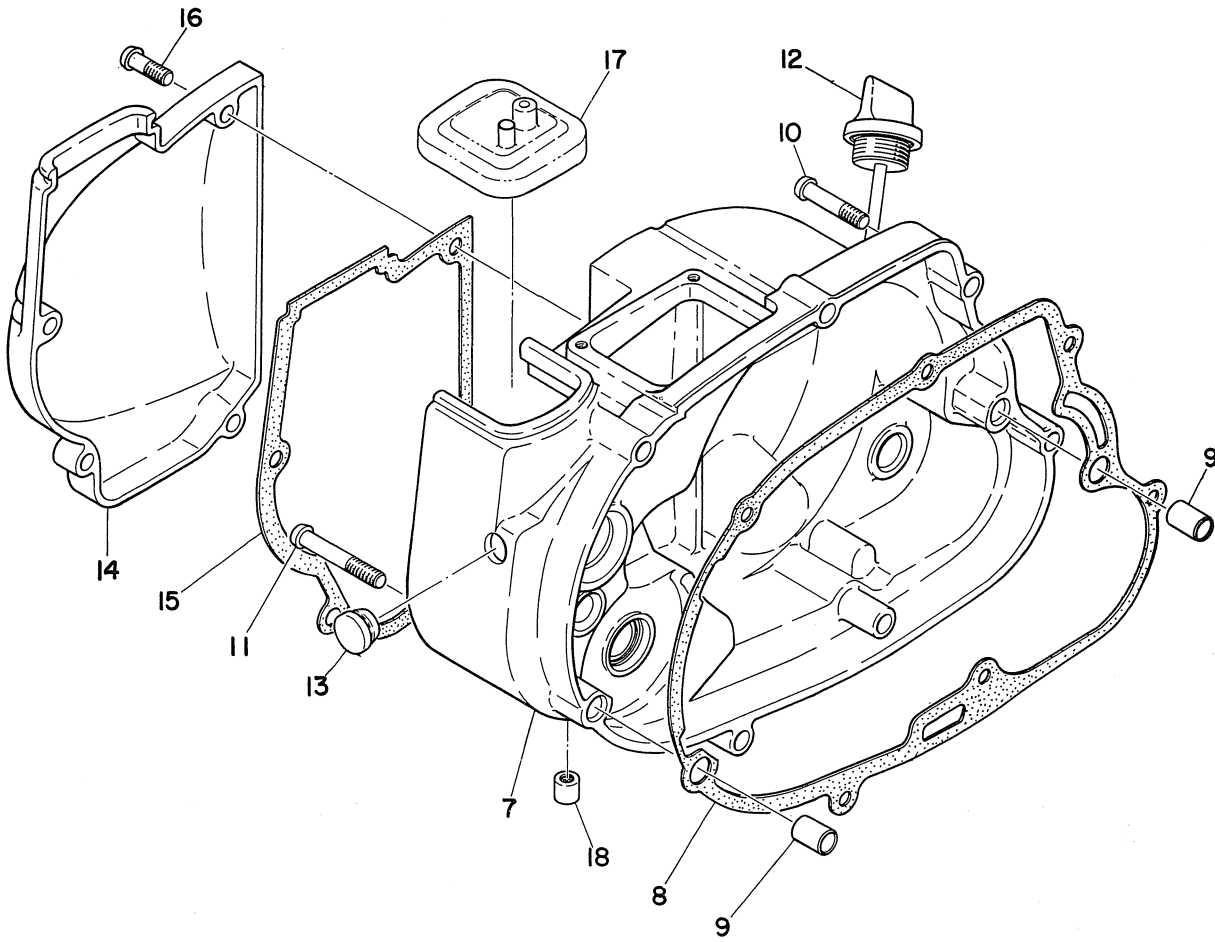


# CRANKCASE

Ref No.	Parts No.	Parts Name	Description	Q'ty	S·R	Remarks
1- 1	260-15111-00	CASE, crank (L.H)	(ISO)	1		
1- 2	257-15121-00	CASE, crank (R.H)		1		
1- 3	91810-08016	PIN, dowel	9.8-12-16	2		
1- 4	92501-06030	SCREW, pan head		2		
1- 5	92501-06045	SCREW, pan head		1		
1- 6	92501-06050	SCREW, pan head		4		
1- 7	92501-06060	SCREW, pan head		4		
1- 8	92501-06065	SCREW, pan head		1		
1- 9	109-11361-00	BOLT, cylinder holding		4		
1-10	109-11351-00	GASKET, cylinder		1		
1-11	260-11311-00	CYLINDER		1		
1-12	102-11181-01	GASKET, cylinder head		1		
1-13	260-11111-00	HEAD, cylinder		1		
1-14	126-11171-60	NUT, cylinder holding		4		
1-15	92901-06200	WASHER, plain		4		
1-16	132-15351-00	PLUG, drain		1		
1-17	132-15353-00	GASKET, drain plug		1		
1-18	132-15371-00	BREATHER		1		
1-19	180-13554-00	RING, rubber		1		
1-20	257-13551-00	COVER, valve		1		
1-21	93103-28012	OIL SEAL	SW-28-47-8	1		
1-22	93210-12014	O-RING	2.62-10.77	1		
1-23	93210-23029	O-RING	3.52-21.82	1		
1-24	93604-14012	PIN, dowel	4-13.8	2		
1-25	92501-06015	SCREW, pan head		5		
1-26	92701-06018	SCREW, flat head		1		



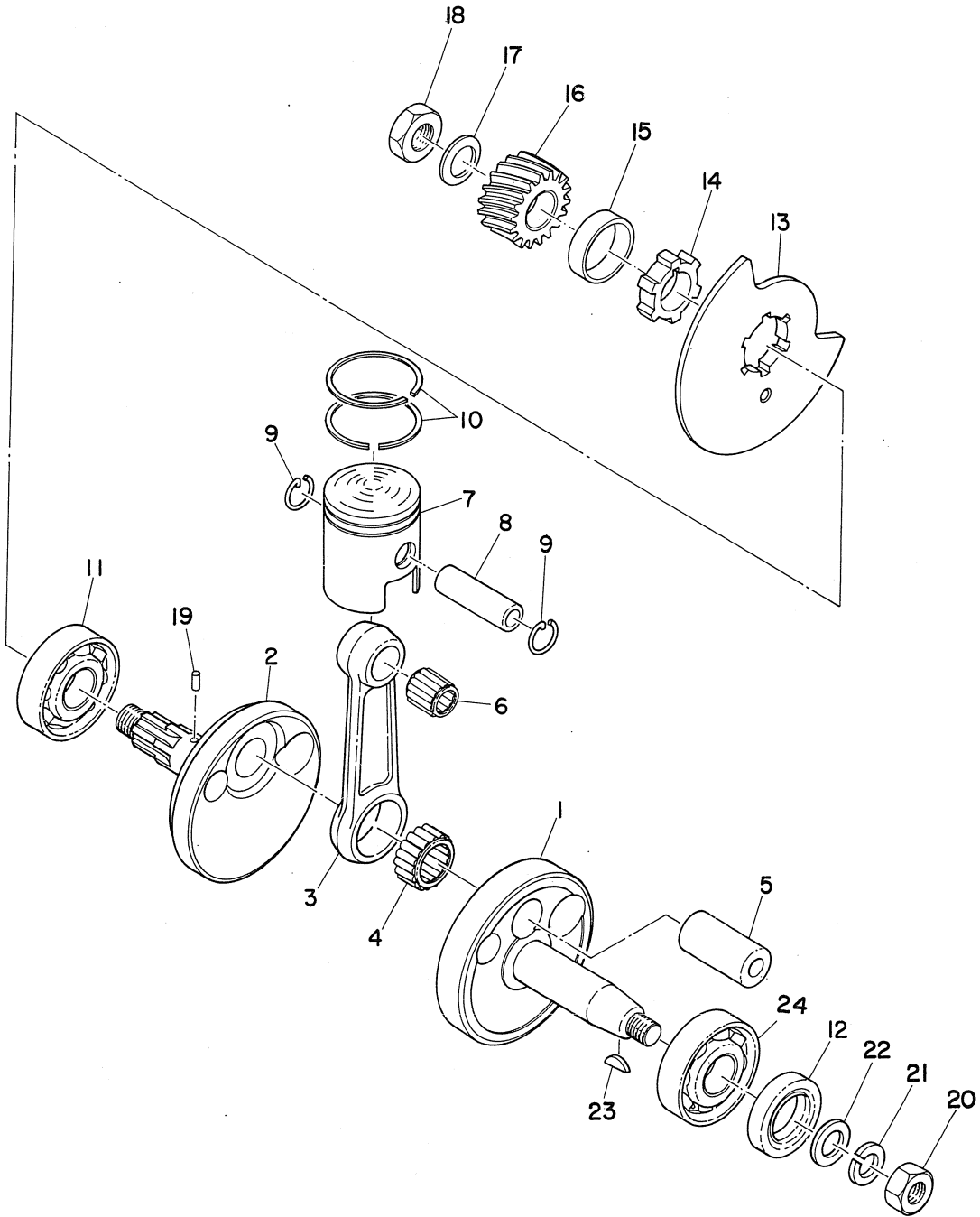
# Fig. 2 CRANKCASE COVER



# CRANKCASE COVER

Ref No.	Parts No.	Parts Name	Description	Q'ty	S·R	Remarks
2- 1	257-15410-00	CRANKCASE COVER ASS'Y (L.H)	ISO	1		
2- 2	91810-03014	PIN, dowel	8.5-10-14	2		
2- 3	164-15415-00	COVER, generator		1		
2- 4	98501-04008	SCREW, pan head	ISO	2		
2- 5	92501-06045	SCREW, pan head		2		
2- 6	92501-06040	SCREW, pan head		1		
2- 7	257-15421-00	COVER, crankcase (R.H)	ISO	1		
2- 8	257-15451-00	GASKET, crankcase cover		1		
2- 9	91810-03014	PIN, dowel	8.5-10-14	2		
2-10	92501-06030	SCREW, pan head		6		
2-11	92501-06040	SCREW, pan head		1		
2-12	180-15362-00	PLUG, oil level		1		
2-13	122-15486-00	GROMMET		1		
2-14	257-15413-00	COVER, carburetor		1		
2-15	257-15463-00	GASKET, carburetor cover		1		
2-16	92501-06018	SCREW, pan head		4		
2-17	257-14481-00	CAP, carburetor		1		
2-18	257-15433-00	CLEANER, drain		1		

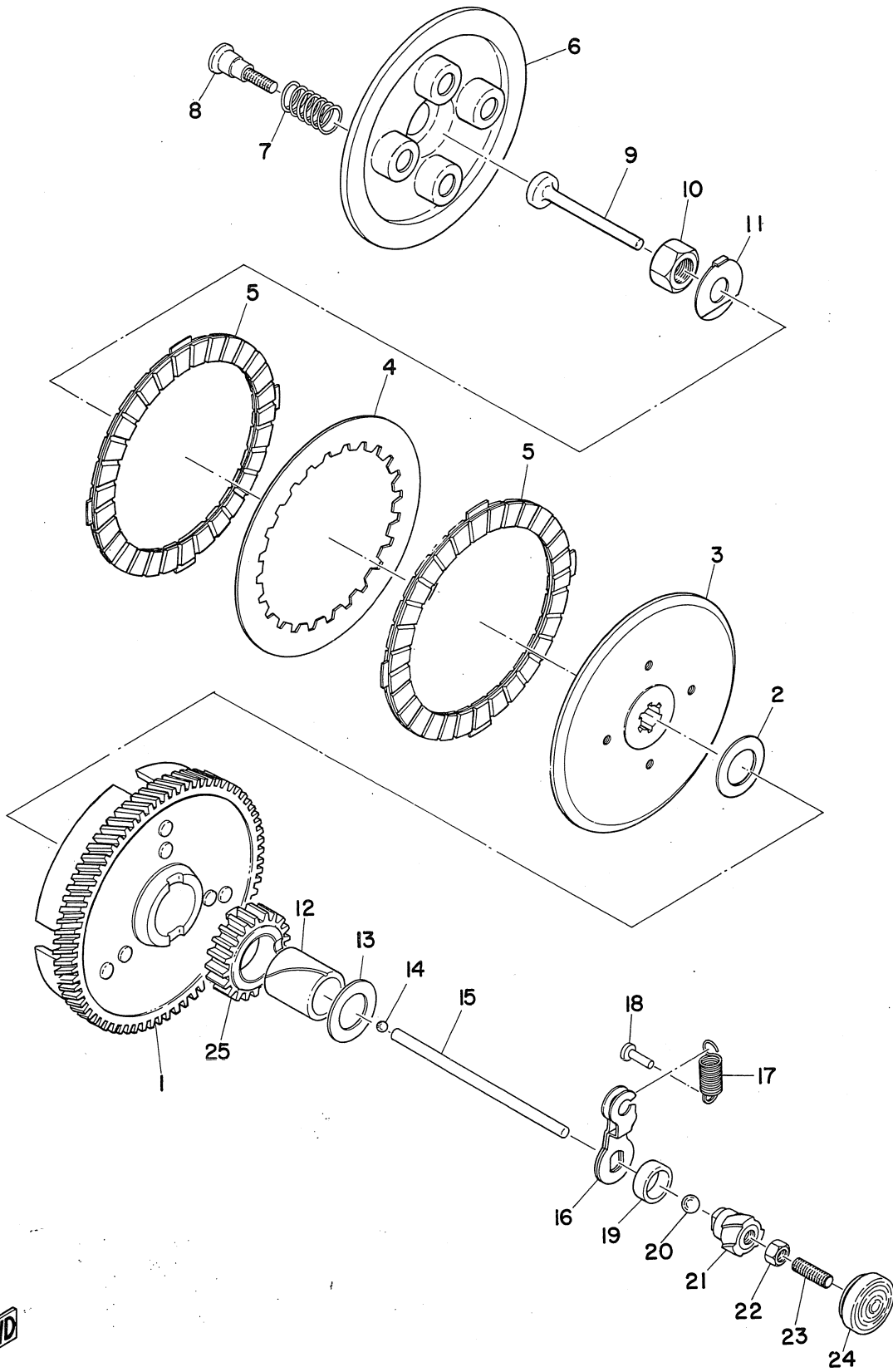
Fig. 3 CRANKSHAFT PISTON



# CRANKSHAFT & PISTON

Ref No.	Parts No.	Parts Name	Description	Q'ty	S·R	Remarks
3- 0-1	257-11400-01	CRANKSHAFT ASS'Y		1		
3- 1	257-11412-01	. CRANK (L.H)		1		
3- 2	257-11422-00	. CRANK (R.H)		1		
3- 3	126-11651-00	. ROD, connecting		1		
3- 4	93310-41810	. BEARING, big end		1		
3- 5	257-11681-00	. PIN, crank		1		
3- 6	93310-11202	BEARING, small end		1		
3- 7	260-11631-00-97	PISTON (97)		U.R 1		
	260-11631-00-98	PISTON (98)				
	260-11631-00-99	PISTON (99)				
	260-11631-00-01	PISTON (00)				
	260-11631-10	PISTON (1st o. s)	0.25mm		1	
	260-11631-20	PISTON (2nd o. s)	0.5mm		1	
3- 8	102-11633-01	PIN, piston		1		
3- 9	132-11634-00	CLIP, piston pin		2		
3-10	109-11610-02	PISTON RING SET		1s		
	109-11610-12	PISTON RING SET (1st o. s)	0.25mm	1s		
	109-11610-22	PISTON RING SET (2nd o. s)	0.5mm	1s		
3-11	93306-30302	BEARING	6303C3	1		
3-12	93102-20009	OIL SEAL	SD-20-35-7	1		
3-13	260-13512-00	VALVE		1		
3-14	257-13515-00	COLLAR, valve		1		
3-15	257-16136-00	COLLAR, distance		1		
3-16	257-16111-00	GEAR, primary drive	19T	1		
3-17	164-16119-00	SPRING, bellevile		1		
3-18	137-16377-00	NUT, clutch boss		1		
3-19	93603-08067	PIN, dowel		1		
3-20	98801-12200	NUT	(ISO)	1		
3-21	92901-12100	WASHER, spring		1		
3-22	214-11557-01	WASHER		1		
3-23	146-11545-00	KEY, woodruff		1		
3-24	93306-20408	BEARING	6204C3	1		

Fig. 4 CLUTCH



FWD

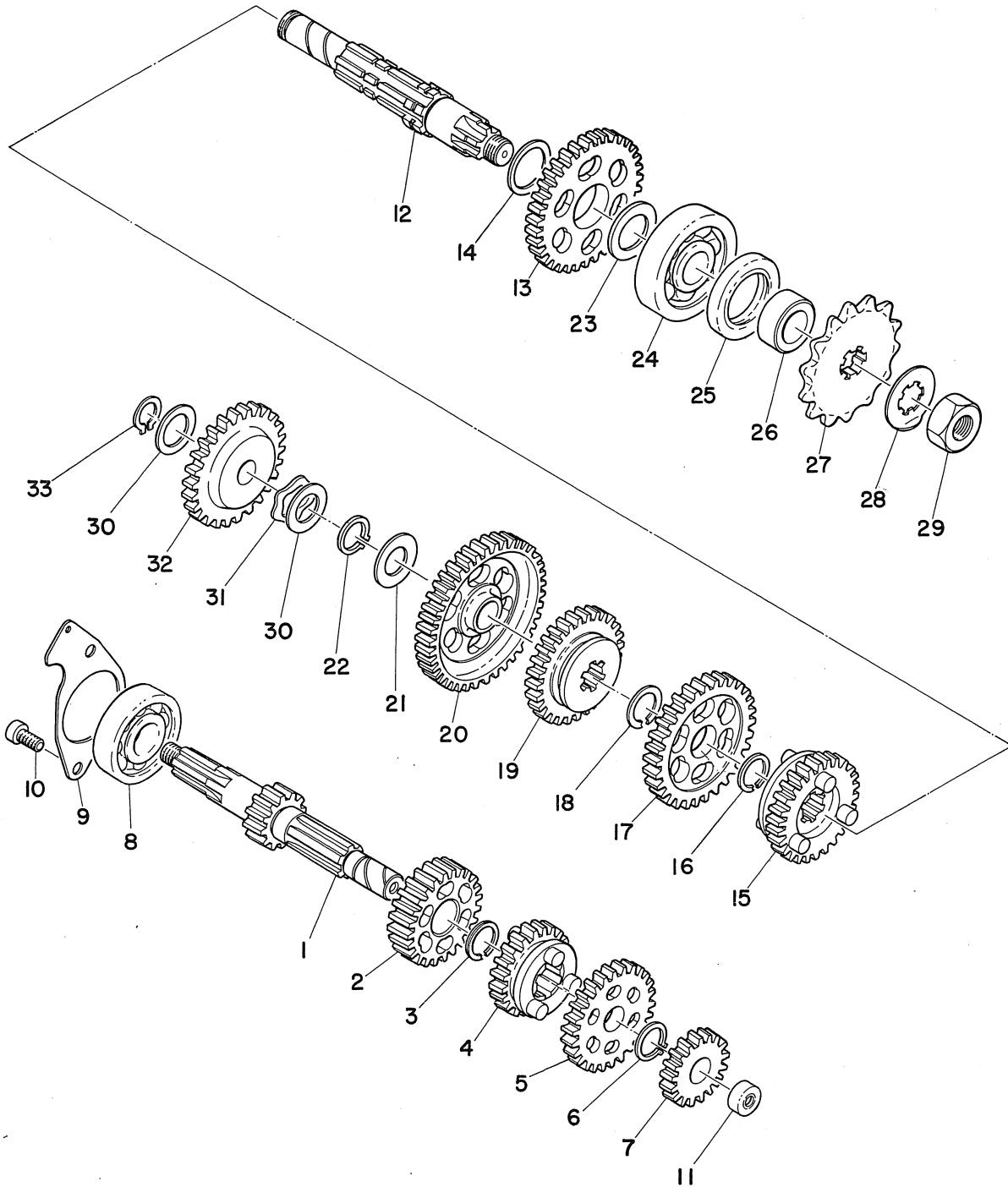


# CLUTCH

Ref No.	Parts No.	Parts Name	Description	Q'ty	S·R	Remarks
4- 0-1	257-16301-00	CLUTCH ASS'Y	(ISO)	1		
4- 1	257-16150-00	. DRIVEN GEAR COMP.	74 T	1		
4- 2	122-16164-00	. PLATE, thrust	17.2-30-2	1		
4- 3	257-16371-00	. BOSS, clutch		1		
4- 4	257-16324-00	. PLATE, clutch		1		
4- 5	131-16321-00	. PLATE, friction		2		
4- 6	257-16351-00	. PLATE, pressure		1		
4- 7	137-16333-00	. SPRING, clutch		4		
4- 8	137-16337-01	. SCREW, spring	(ISO)	4		
4- 9	137-16356-00	ROD, push (1)		1		
4-10	137-16377-00	NUT, clutch boss		1		
4-11	137-16378-00	WASHER, clutch boss		1		
4-12	257-16181-00	SPACER		1		
4-13	122-16164-00	PLATE, thrust	17.2-30-2	1		
4-14	93501-04004	BALL	1/4"	1		
4-15	257-16357-00	ROD, push (2)		1		
4-16	257-16342-00	LEVER, push		1		
4-17	132-16345-00	SPRING, lever return		1		
4-18	132-16346-00	HOOK, spring		1		
4-19	93108-15001	OIL SEAL	OSO-15.3-	1		
4-20	93503-16003	BALL	3/16" <sup>22-7</sup>	1		
4-21	257-16341-00	SCREW, push		1		
4-22	92801-06300	NUT		1		
4-23	257-16343-00	SCREW, adjusting		1		
4-24	257-15417-01	COVER, cap		1		
4-25	164-15631-01	GEAR, kick pinion	19 T	1		



Fig. 5 TRANSMISSION

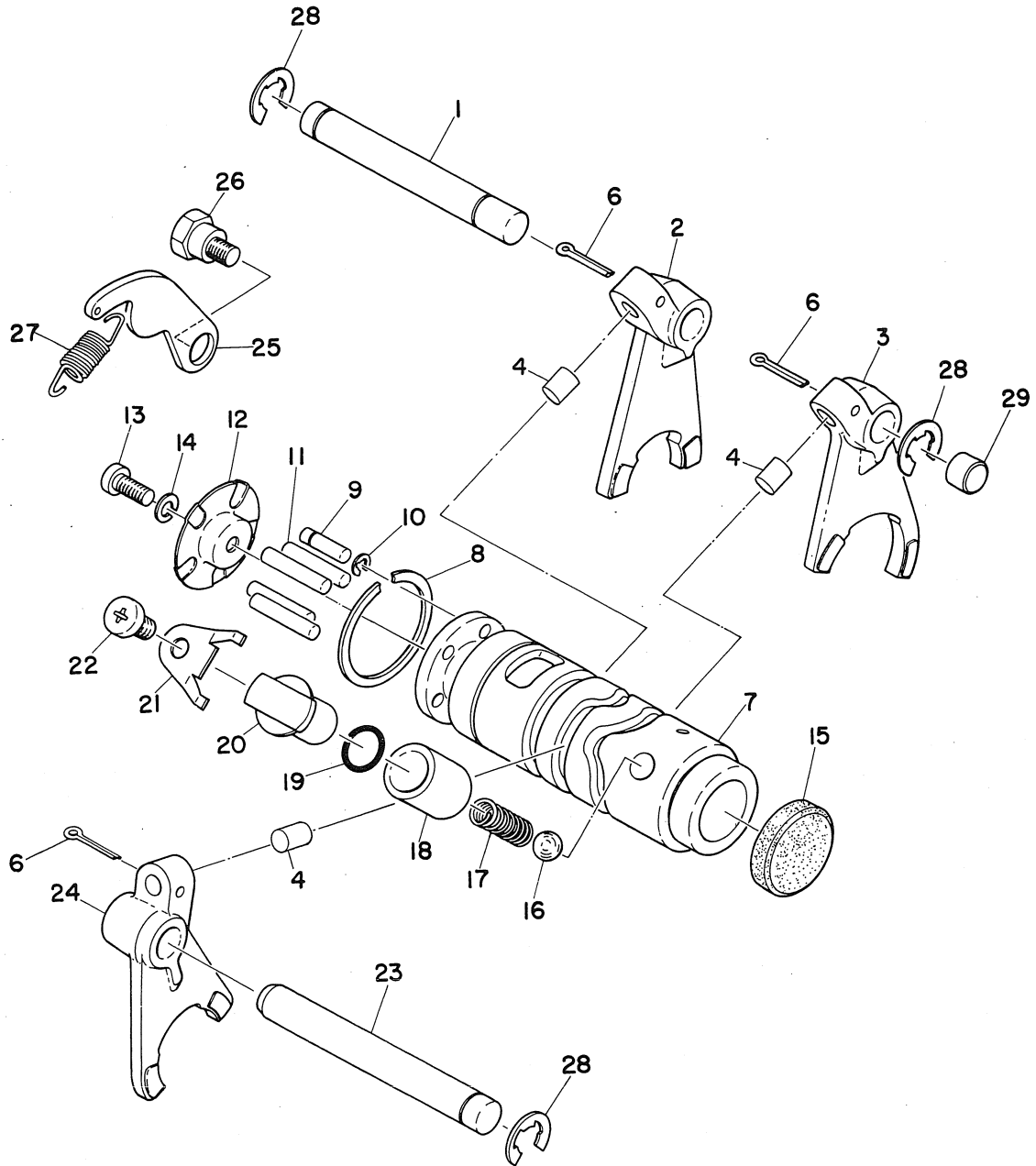


# TRANSMISSION

Ref No.	Parts No.	Parts Name	Description	Q'ty	S·R	Remarks
5- 1	260-17411-00	AXLE, main		1		
5- 2	260-17141-00	GEAR, 4th pinion	24T	1		
5- 3	257-17414-00	CLIP		1		
5- 4	260-17131-00	GEAR, 3rd pinion	21T	1		
5- 5	260-17151-00	GEAR, 5th pinion	26T	1		
5- 6	93410-13004	CIRCLIP		1		
5- 7	260-17121-00	GEAR, 2nd pinion	17T	1		
5- 8	93306-20301	BEARING	6203	1		
5- 9	257-17471-00	PLATE, bearing cover		1		
5-10	92501-06012	SCREW, pan head		2		
5-11	257-15389-00	SEAL, push rod		1		
5-12	260-17421-00	AXLE, drive		1		
5-13	260-17221-00	GEAR, 2nd wheel	35T	1		
5-14	132-17414-00	CLIP		1		
5-15	260-17251-00	GEAR, 5th wheel	26T	1		
5-16	257-17414-00	CLIP		1		
5-17	260-17231-00	GEAR, 3rd wheel	31T	1		
5-18	257-17414-00	CLIP		1		
5-19	260-17241-00	GEAR, 4th wheel	28T	1		
5-20	260-17211-00	GEAR, 1st wheel	41T	1		
5-21	257-17219-00-04	SHIM	13.2-24-0.4	U.R 1		
	257-17219-00-06	SHIM	13.2-24-0.6			
	257-17219-00-08	SHIM	13.2-24-0.8			
5-22	93410-13004	CIRCLIP		1		
5-23	260-16164-00	PLATE, thrust		1		
5-24	93306-30305	BEARING	6303	1		
5-25	93102-25017	OIL SEAL	SD-25-40-5	1		
5-26	257-17462-00	COLLAR, distance		1		
5-27	257-17461-40	SPROCKET, drive	14T	1		
5-28	257-17464-00	WASHER, lock		1		
5-29	257-17463-00	NUT, lock		1		
5-30	201-15653-00	WASHER, thrust	13.2-23-1	2		
5-31	137-15643-00	WASHER, wave		1		
5-32	257-15651-00	GEAR, kick idle	28T	1		
5-33	93410-13004	CIRCLIP		1		



Fig. 6 SHIFTER A

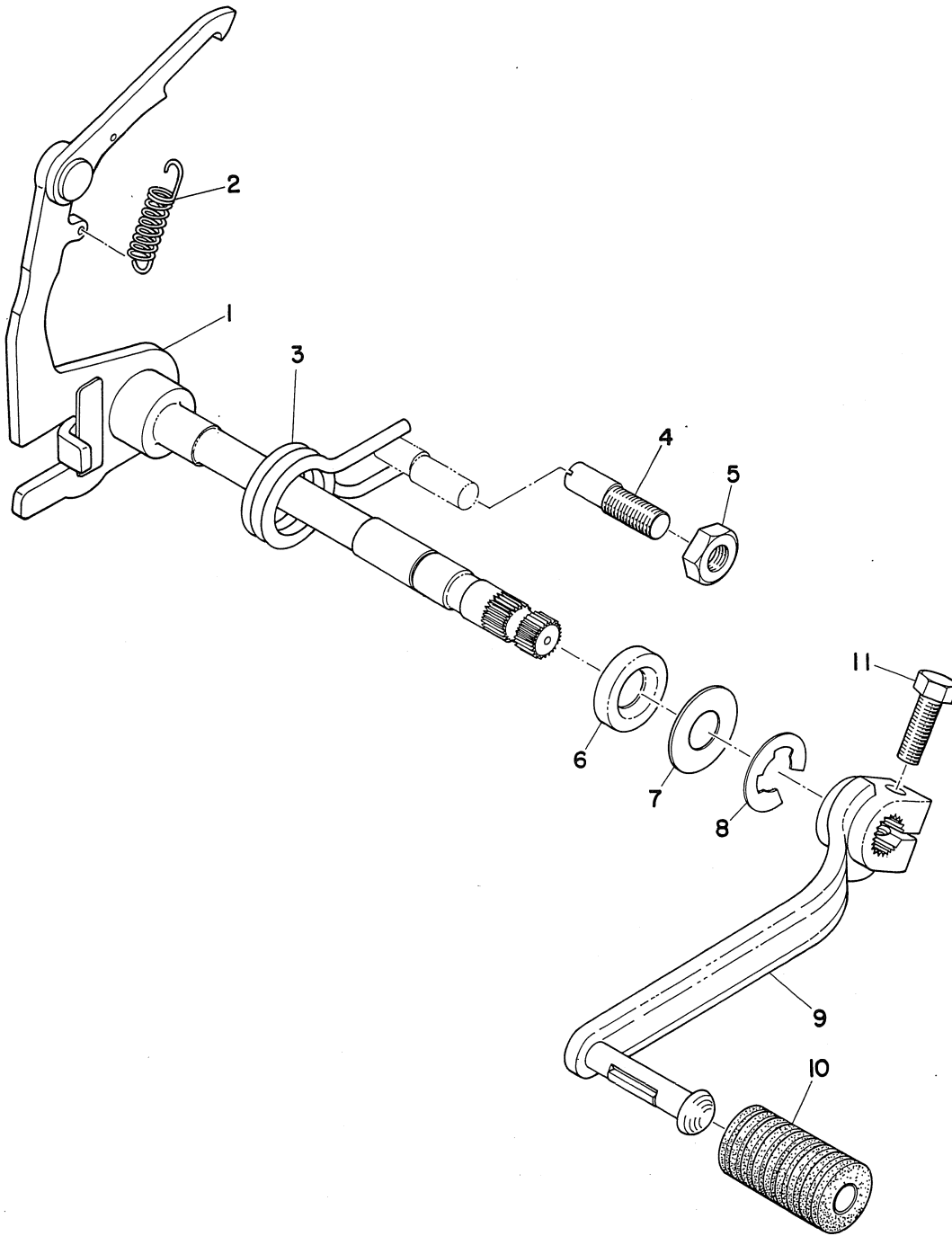


# SHIFTER A

Ref No.	Parts No.	Parts Name	Description	Q'ty	S·R	Remarks
6- 1	257-18534-00	BAR, shift fork guide		1		
6- 2	260-18513-00	FORK, shift (3)		1		
6- 3	257-18511-00	FORK, shift (1)		1		
6- 4	257-18552-00	PIN, cam follower		3		
6- 6	91401-25017	PIN, cotter		3		
6- 7	260-18541-00	CAM, shift	(ISO)	1		
6- 8	93440-32017	CIRCLIP		1		
6- 9	174-18544-00	PIN, locating		1		
6-10	93430-03014	CLIP, locating pin		1		
6-11	93604-22050	PIN, dowel		4		
6-12	164-18561-00	PLATE, side		1		
6-13	98501-05012	SCREW, pan head	(ISO)	1		
6-14	92901-05100	WASHER, spring		1		
6-15	257-18589-00	PLUG, blind		1		
6-16	93505-16006	BALL	5/16"	1		
6-17	260-18558-00	SPRING, neutral		1		
6-18	260-18598-00	BUSHING		1		
6-19	93210-10118	O-RING	1.4-9.8	1		
6-20	260-18587-00	BUSHING		1		
6-21	214-17812-00	STOPPER		1		
6-22	92501-06010	SCREW, pan head		1		
6-23	257-18531-00	BAR, shift fork guide		1		
6-24	260-18512-00	FORK, shift (2)		1		
6-25	132-18148-01	LEVER, stopper		1		
6-26	132-18177-00	BOLT, stopper		1		
6-27	132-18143-00	SPRING, stopper		1		
6-28	93430-08006	CIRCLIP		3		
6-29	150-18328-00	PLUG, blind		1		



Fig. 7 SHIFTER B



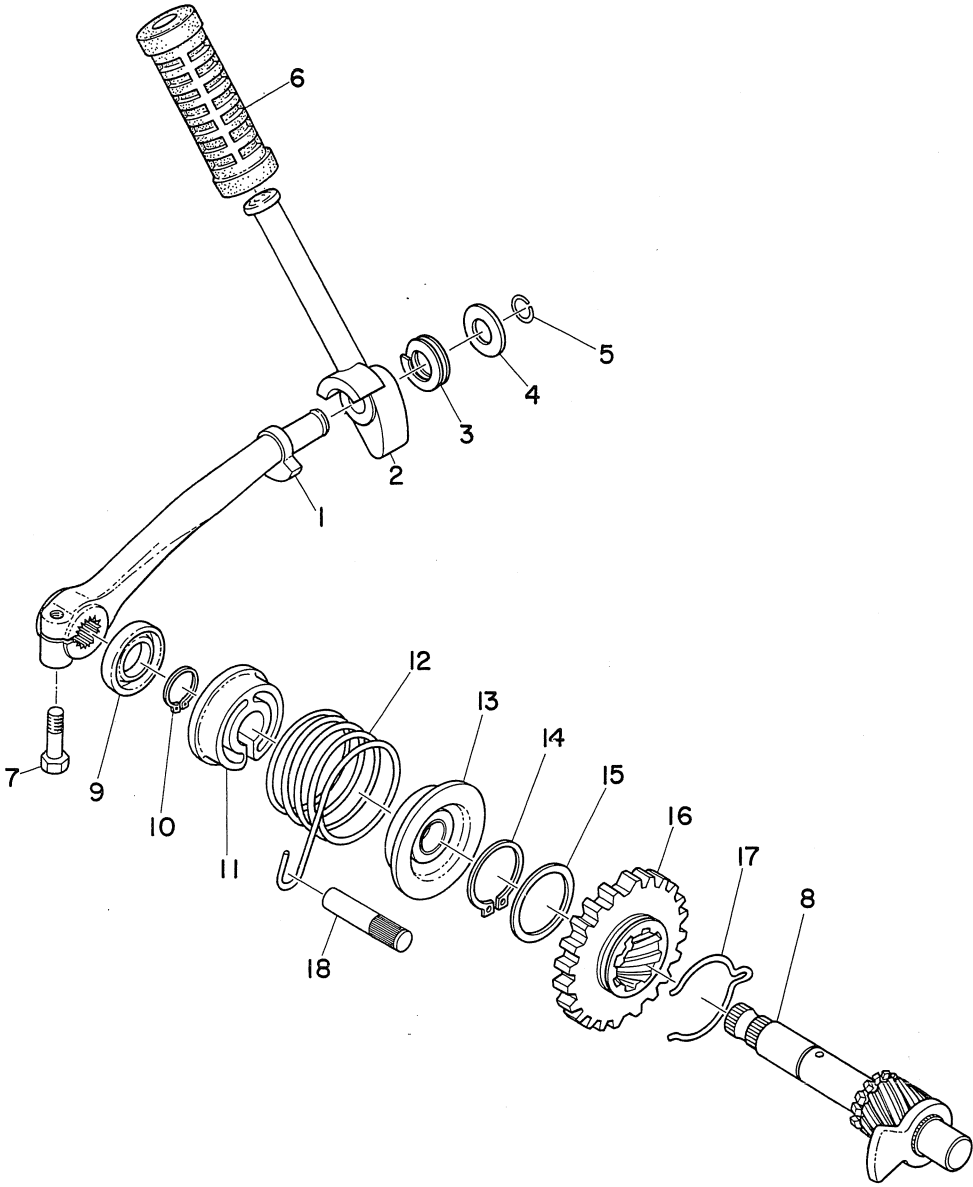
## SHIFTER B

Ref No.	Parts No.	Parts Name	Description	Q'ty	S·R	Remarks
7- 1	257-18101-00	CHANGE SHAFT ASS'Y		1		
7- 2	132-18123-00	SPRING, shift arm		1		
7- 3	132-18124-00	SPRING, shaft return		1		
7- 4	132-18133-00	SCREW, adjusting		1		
7- 5	98801-08100	NUT	(ISO)	1		
7- 6	93101-12004	OIL SEAL	S-12-22-5	1		
7- 7	132-18137-00	WASHER, change axle		1		
7- 8	93430-10016	CIRCLIP		1		
7- 9	248-18111-00	PEDAL, change		1		
7-10	132-18113-01	COVER, change pedal		1		
7-11	91201-06020	BOLT		1		





Fig. 8 KICK

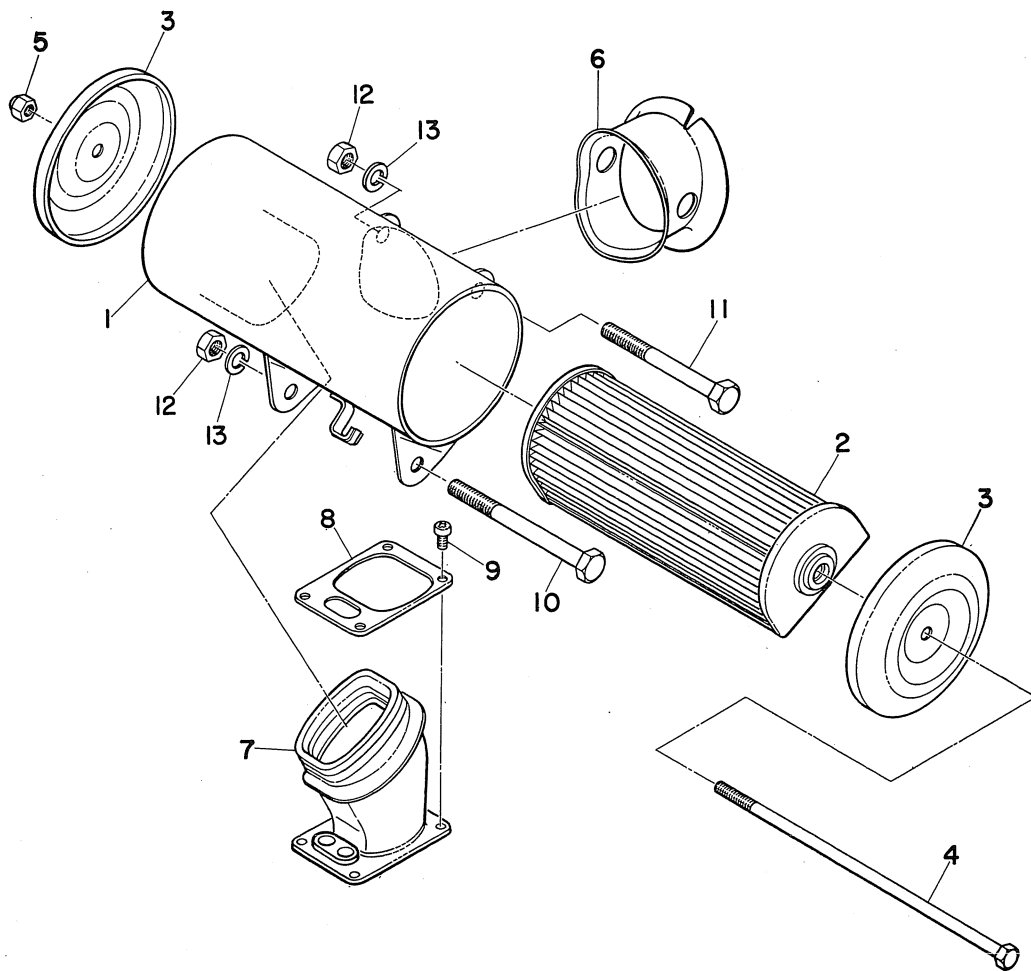


# KICK

Ref No.	Parts No.	Parts Name	Description	Q'ty	S·R	Remarks
8- 0-1	260-15610-00	KICK CRANK ASS'Y		1		
8- 1	132-15611-01	. CRANK, kick		1		△
8- 2	205-15612-00	. LEVER, kick		1		
8- 3	214-15625-00	. SPRING, kick crank		1		
8- 4	132-15616-00	. WASHER, kick lever		1		
8- 5	132-15617-00	. CLIP, kick lever		1		
8- 6	156-15618-01	COVER, keck lever		1		
8- 7	91101-06020	BOLT		1		
8- 8	180-15660-00	KICK AXLE ASS'Y		1		
8- 9	93109-15001	OIL SEAL	SDO-15-26	1		
8-10	93410-15005	CIRCLIP	-6	1		
8-11	132-15676-00	COVER, kick spring		1		
8-12	132-15665-00	SPRING, kick		1		
8-13	132-15664-00	GUIDE, kick spring		1		
8-14	93410-25017	CIRCLIP		1		
8-15	117-15644-00	SHIM	25.1-32-1	1		
8-16	180-15641-00	GEAR, kick	28 T	1		
8-17	180-15687-00	CLIP, kick		1		
8-18	257-15668-00	STOPPER, kick spring		1		



Fig. 9 AIR CLEANER

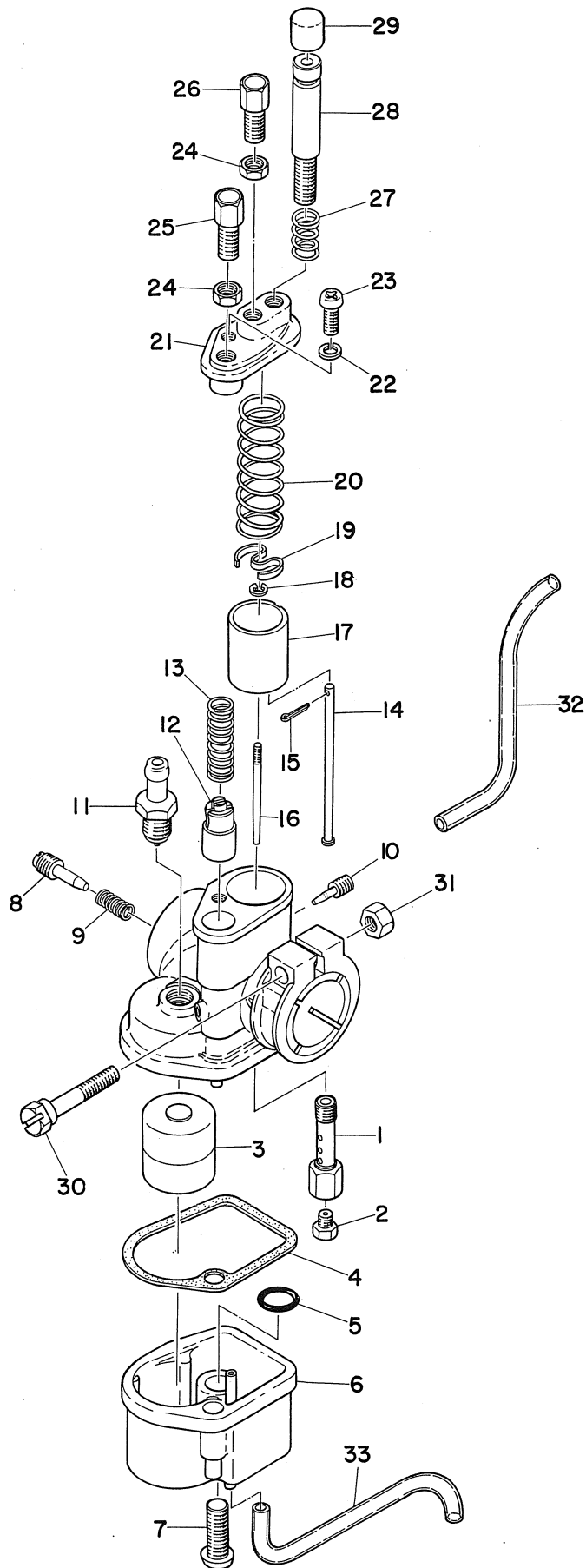


# AIR CLEANER

Ref No.	Parts No.	Parts Name	Description	Q'ty	S·R	Remarks
9- 1	257-14401-00-35	AIR CLEANER CASE ASS'Y		1		
9- 2	257-14451-00	ELEMENT ASS'Y		1		
9- 3	122-14412-00	CAP, case		2		
9- 4	91201-06187	BOLT		1		
9- 5	92803-06700	NUT, crown		1		
9- 6	257-14454-00	JOINT, suction pipe		1		
9- 7	257-14453-00	JOINT, air cleaner		1		
9- 8	257-14417-00	COVER, joint		1		
9- 9	98501-04008	SCREW, pan head	ISO	4		
9-10	97101-08095	BOLT	ISO	1		
9-11	97101-08080	BOLT	ISO	1		
9-12	98801-08100	NUT	ISO	2		
9-13	92901-08100	WASHER, spring		2		



Fig. 10 CARBURETOR



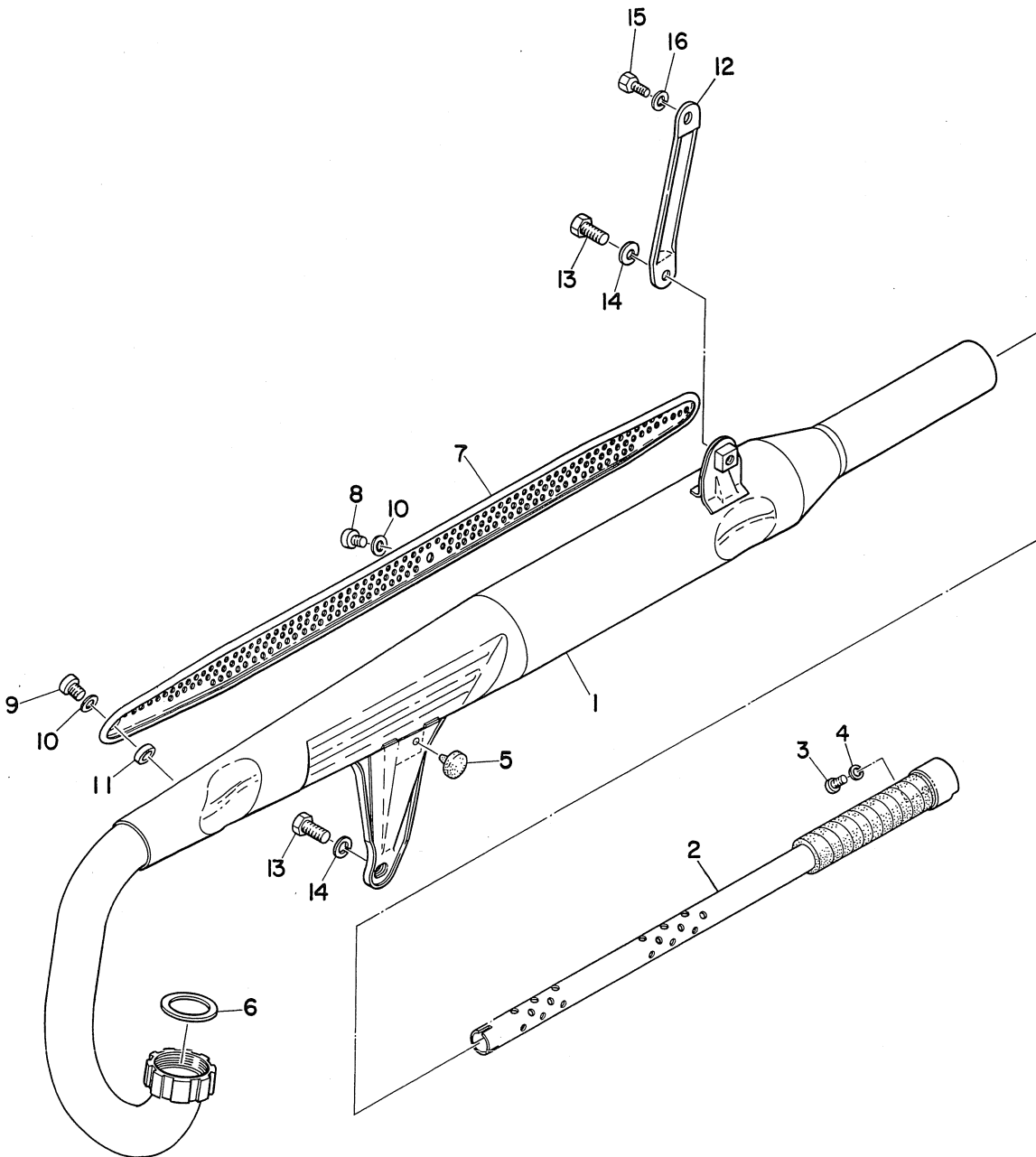
FWD

# CARBURETOR

Ref No.	Parts No.	Parts Name	Description	Q'ty	S · R	Remarks
10- 0-1	260-14101-00	CARBURETOR ASS'Y	(ISO)	1		
10- 1	127-14141-12	. NOZZLE, main	E-2	1		
10- 2	127-14143-26	. JET, main	#130	1		
	127-14143-28	. JET, main	#140	1		
	127-14143-30	. JET, main	#150	1		
	127-14143-32	. JET, main	#160	1		
	127-14143-34	. JET, main	#170	1		
10- 3	260-14185-00	. FLOAT		1		
10- 4	260-14184-00	. GASKET, float chamber		1		
10- 5	260-14147-00	. O-RING		1		
10- 6	260-14181-00	. BODY, float chamber		1		
10- 7	92501-06018	. SCREW, pan head		1		
10- 8	127-14123-00	. SCREW, air adjusting		1		
10- 9	127-14134-00	. SPRING, air adjusting		1		
10-10	146-14142-25	. JET, pilot	#25	1		
10-11	260-14190-12	. VALVE SEAT ASS'Y	#1.2	1		
10-12	127-14171-00	. PLUNGER, starter		1		
10-13	127-14135-00	. SPRING, plunger		1		
10-14	260-14114-00	. BAR, throttle		1		
10-15	91401-12008	. PIN, cotter		1		
10-16	127-14116-09	. NEEDLE	3G9-3	1		
10-17	260-14112-20	. VALVE, throttle	#2.0	1		
10-18	127-14137-00	. CLIP		1		
10-19	127-14136-00	. SEAT, spring		1		
10-20	127-14131-00	. SPRING, throttle valve		1		
10-21	260-14158-00	. TOP, mixing chamber		1		
10-22	92901-04100	. WASHER, spring		1		
10-23	98501-04010	. SCREW, pan head	(ISO)	1		
10-24	127-14161-00	. NUT, wire adjusting		2		
10-25	127-14124-20	. SCREW, wire adjusting	20l	1		
10-26	127-14124-20	. SCREW, wire adjusting	20l	1		
10-27	127-14133-00	. SPRING, throttle stop		1		
10-28	167-14121-00	. SCREW, throttle		1		
10-29	167-14119-00	. CAP, throttle screw		1		
10-30	127-14125-01	. SCREW, body fitting	(ISO)	1		
10-31	98801-05200	. NUT	(ISO)	1		
10-32	257-14197-00	PIPE, air vent		1		
10-33	137-14196-00	PIPE, over flow		1		



Fig. 11 MUFFLER



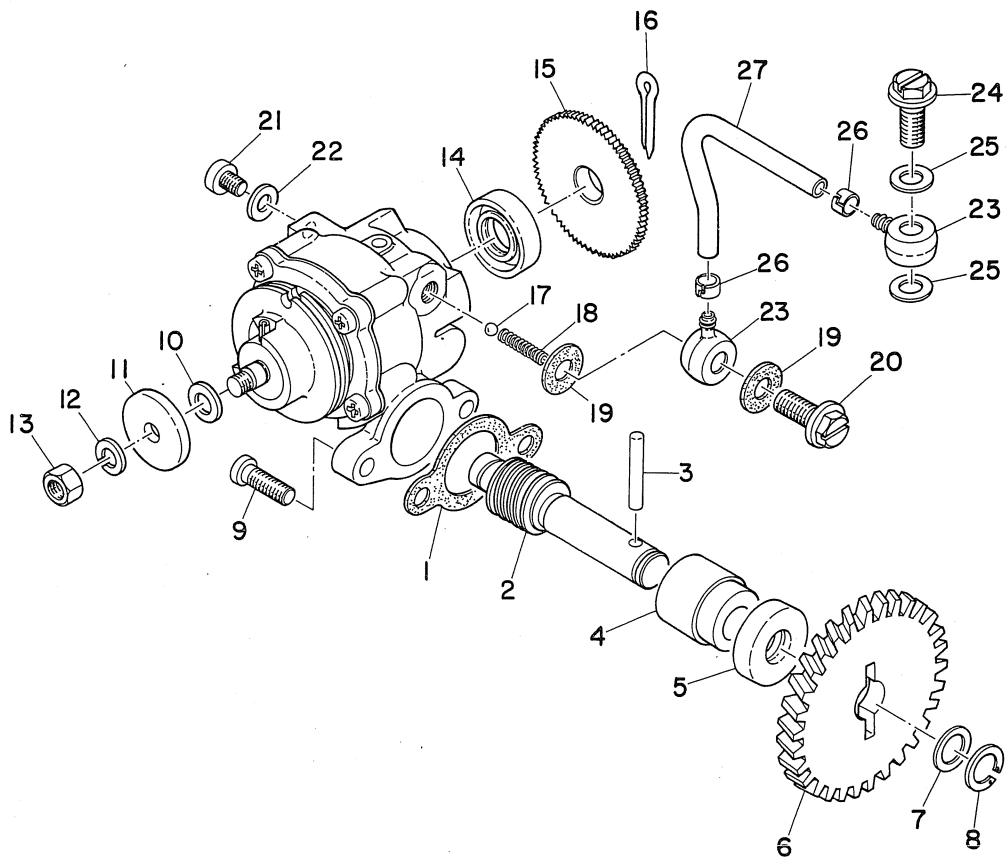


# MUFFLER

Ref No.	Parts No.	Parts Name	Description	Q'ty	S·R	Remarks
11- 1	260-14610-10	EXHAUST PIPE ASS'Y		1		
11- 2	220-14753-11	. SILENCER	ISO	1		
11- 3	98501-05008	. SCREW, pan head	ISO	1		
11- 4	92901-05100	. WASHER, spring		1		
11- 5	141-21717-00	. DAMPER		1		
11- 6	132-14613-00	GASKET, exhaust		1		
11- 7	260-14718-10	PROTECTOR, muffler		1		
11- 8	91903-06008	SCREW		3		
11- 9	91903-06010	SCREW		1		
11-10	178-14766-00	WASHER, protector		4		
11-11	214-14766-00	WASHER, protector		1		
11-12	220-14771-10	STAY, muffler		1		
11-13	97201-08018	BOLT	ISO	2		
11-14	92901-08100	WASHER, spring		2		
11-15	167-14719-00	BOLT, fitting		1		
11-16	92901-10100	WASHER, spring		1		



Fig. 12 OIL PUMP

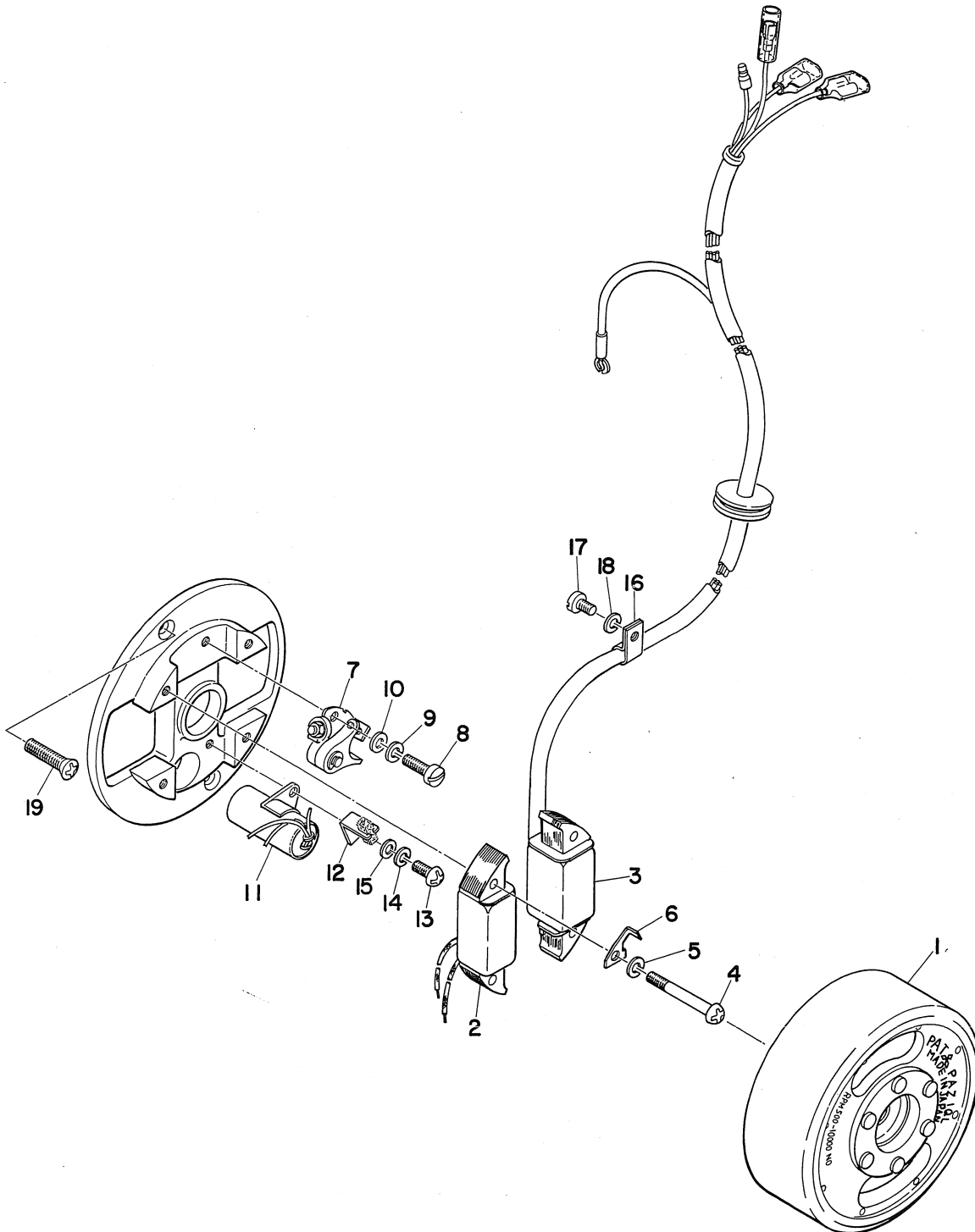


# OIL PUMP

Ref No.	Parts No.	Parts Name	Description	Q'ty	S · R	Remarks
12- 1	126-13116-00	GASKET, pump case		1		
12- 2	257-13175-00	SHAFT, worm		1		
12- 3	93603-22028	PIN, dowel		1		
12- 4	137-13176-00	METAL, worm shaft outer		1		
12- 5	93101-10001	OIL SEAL	S-10-21-5	1		
12- 6	257-13178-00	GEAR, drive	30 T	1		
12- 7	101-18137-00	WASHER		1		
12- 8	93440-08001	CIRCLIP		1		
12- 9	98501-05015	SCREW, pan head	(ISO)	2		
12- 0-1	257-13101-00	OIL PUMP ASS'Y	(ISO)	1		
12-10	137-13137-00	. SHIM, plunger		1		
12-11	137-13138-01	. PLATE, adjusting		1		
12-12	92901-05100	. WASHER, spring		1		
12-13	98801-05200	. NUT	(ISO)	1		
12-14	93101-10001	. OIL SEAL	S-10-21-5	1		
12-15	137-13128-00	. PLATE, starter		1		
12-16	91401-12018	. PIN, cotter		1		
12-17	93505-32002	. BALL	5/32"	1		
12-18	137-13169-00	. SPRING, check ball		1		
12-19	137-13167-00	. GASKET, banjo bolt		2		
12-20	137-13165-00	. BOLT, banjo		1		
12-21	98501-04008	. SCREW, pan head	(ISO)	1		
12-22	137-13187-00	. GASKET, breather		1		
12-23	214-13162-00	BANJO		2		
12-24	137-13165-00	BOLT, banjo		1		
12-25	137-13167-00	GASKET, banjo bolt		2		
12-26	214-13164-00	CLIP, delivery pipe		2		
12-27	257-13161-00	PIPE, delivery		1		



Fig. 13 FLYWHEEL MAGNETO (MITSUBISHI)

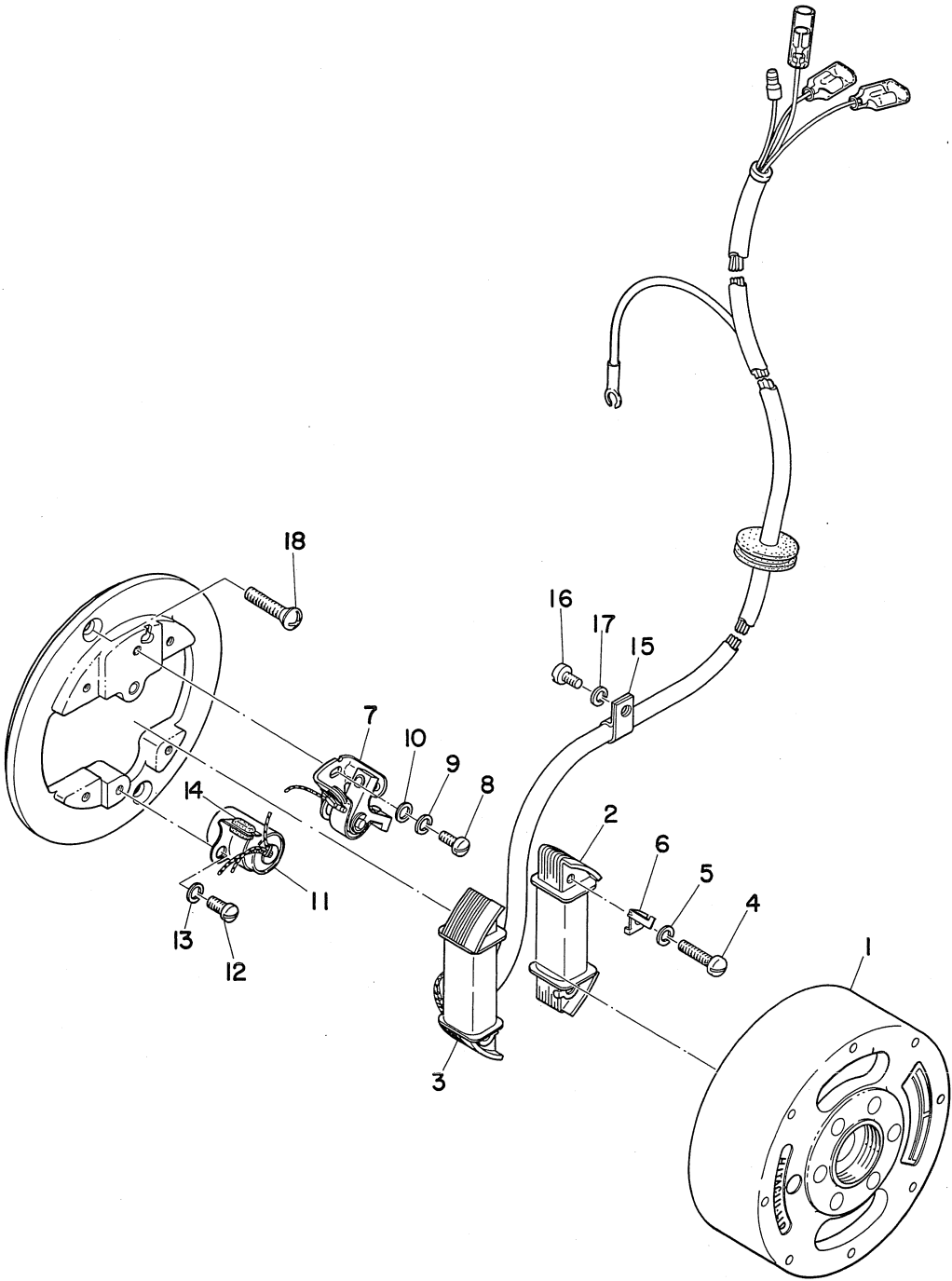


# FLYWHEEL MAGNETO (MITSUBISHI)

Ref No.	Parts No.	Parts Name	Description	Q'ty	S-R	Remarks
13- 0-1	257-81300-20	FLYWHEEL MAGNETO ASS'Y	(ISO)	1		MITSUBISHI
13- 1	257-81350-20	. ROTOR ASS'Y		1		
13- 2	207-81312-20	. COIL, source		1		
13- 3	207-81313-20	. COIL, lighting		1		
13- 4	110-81348-20	. SCREW, pan head	4-25 (ISO)	4		
13- 5	92901-04100	. WASHER, spring		4		
13- 6	166-81332-20	. PLATE, timing		1		
13- 7	120-81321-20	. CONTACT BREAKER ASS'Y		1		
13- 8	110-81347-20	. SCREW, pan head	4-12 (ISO)	1		
13- 9	92901-04100	. WASHER, spring		1		
13-10	92901-04200	. WASHER, plain		1		
13-11	104-81326-20	. CONDENSER		1		
13-12	120-81331-20	. LUBRICATOR		1		
13-13	110-81346-20	. SCREW, pan head	4-10 (ISO)	1		
13-14	92901-04100	. WASHER, spring		1		
13-15	92901-04200	. WASHER, plain		1		
13-16	104-81328-20	. CLAMP, lead		1		
13-17	165-81145-21	. SCREW, pan head	4-8 (ISO)	1		
13-18	92901-04100	. WASHER, spring		1		
13-19	98701-05015	SCREW, flat head	(ISO)	2		



Fig. 14 FLYWHEEL MAGNETO (HITACHI)



## FLYWHEEL MAGNETO (HITACHI)

Ref No.	Parts No.	Parts Name	Description	Q'ty	S·R	Remarks
14- 0-1	257-81300-10	FLYWHEEL MAGNETO ASS'Y	(ISO)	1		HITACHI
14- 1	207-81350-10	. ROTOR ASS'Y		1		
14- 2	207-81312-10	, COIL, source		1		
14- 3	207-81313-10	. COIL, lighting		1		
14- 4	110-81348-20	. SCREW, pan head	4-25 (ISO)	4		
14- 5	92901-04100	. WASHER, spring		4		
14- 6	185-81332-10	. PLATE, timing		1		
14- 7	207-81321-10	. CONTACT BREAKER ASS'Y		1		
14- 8	110-81347-20	. SCREW, pan head	4-12 (ISO)	1		
14- 9	92901-04100	. WASHER, spring		1		
14-10	92901-04200	. WASHER, plain		1		
14-11	207-81326-10	. CONDENSER		1		
14-12	110-81346-20	. SCREW, pan head	4-10 (ISO)	1		
14-13	92901-04100	. WASHER, spring		1		
14-14	207-81331-10	. LUBRICATOR		1		
14-15	109-81328-10	. CLAMP, lead		1		
14-16	165-81145-21	. SCREW, pan head	4-8 (ISO)	1		
14-17	92901-04100	. WASHER, spring		1		
14-18	98701-05015	SCREW, flat head	(ISO)	2		







# CHASSIS

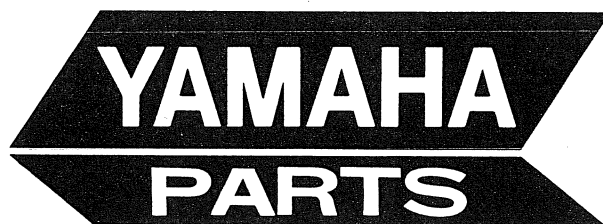
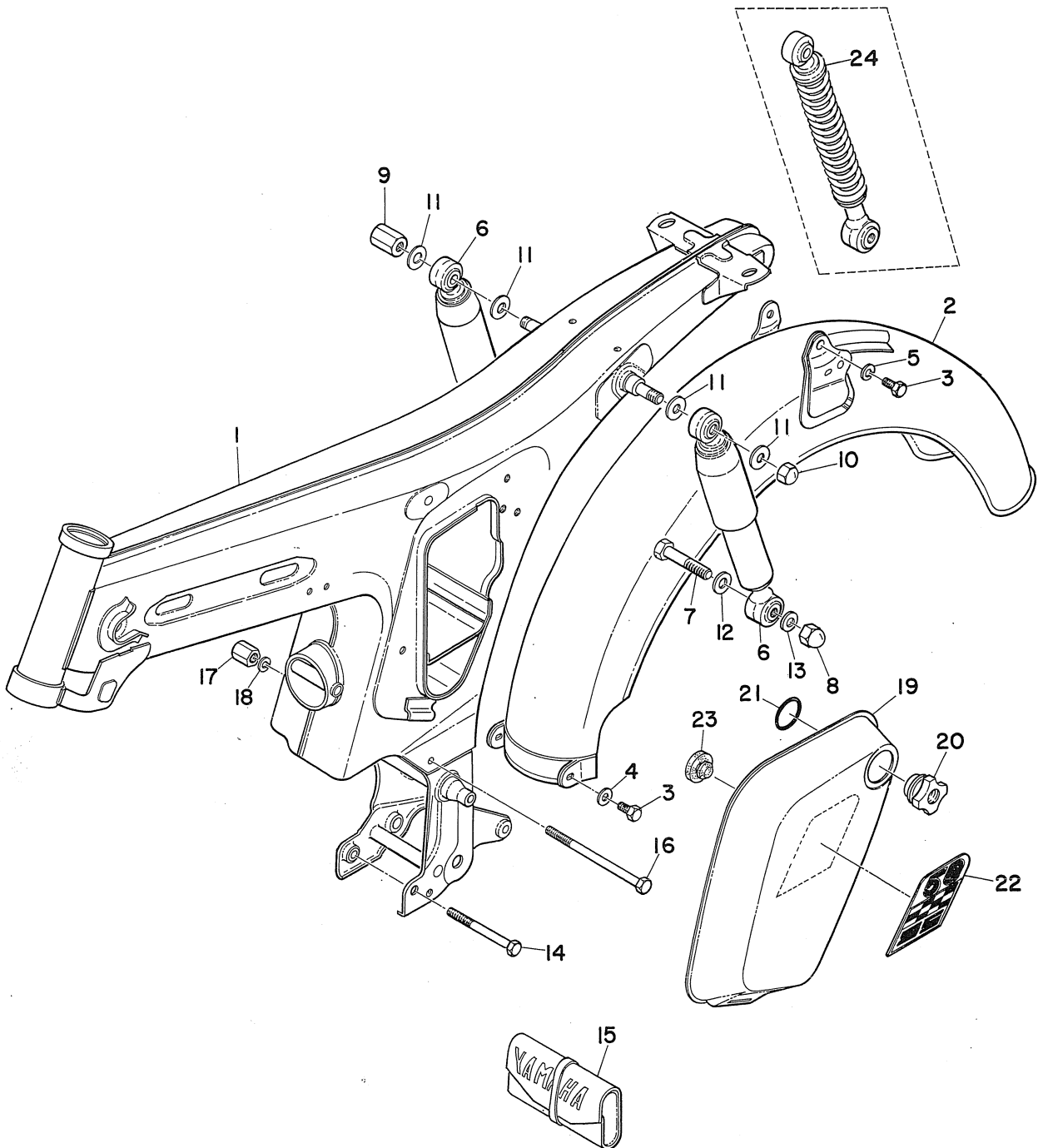






Fig. 15 FRAME, REAR CUSHION & REAR FENDER

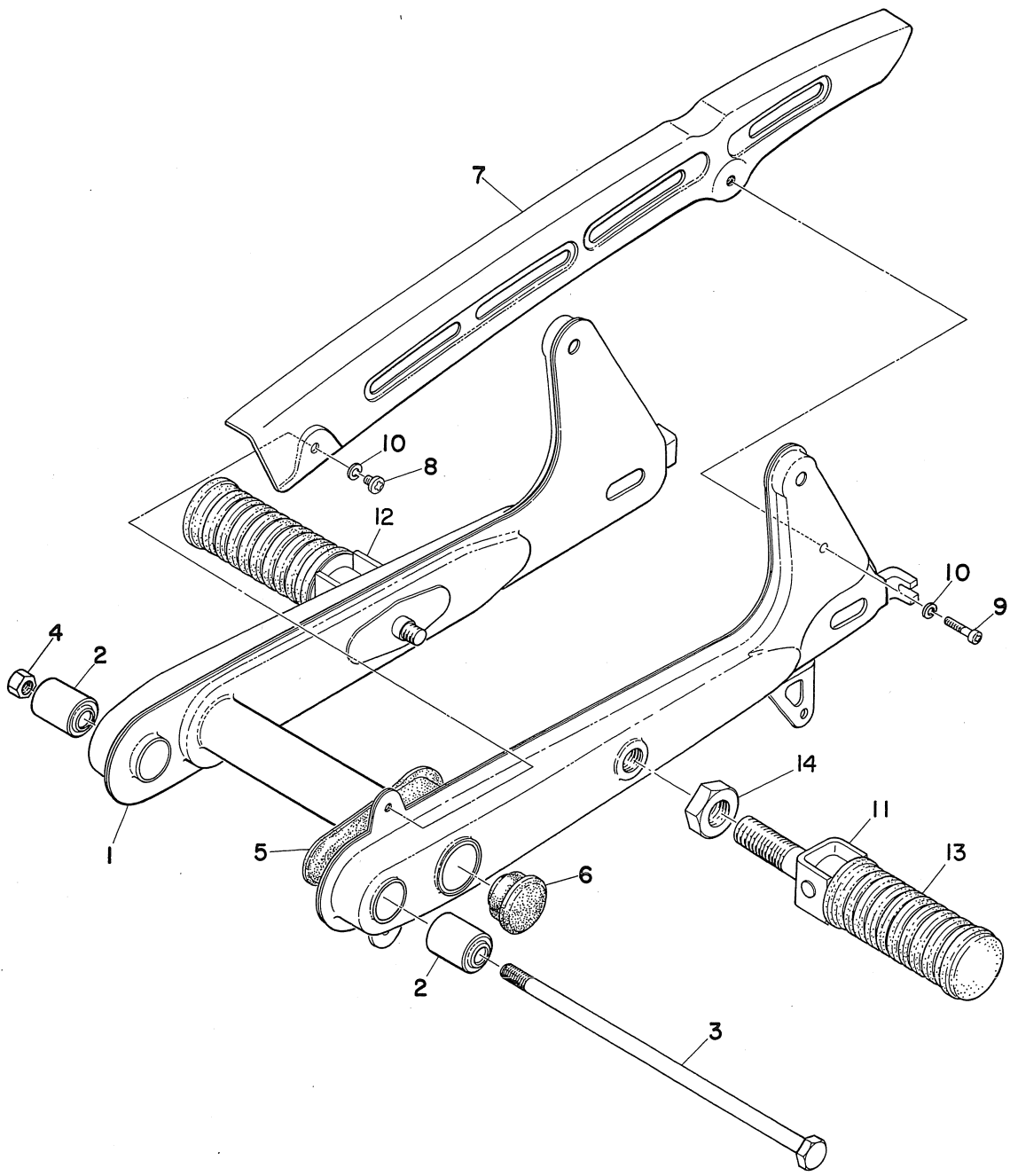


## FRAME, REAR CUSHION & REAR FENDER

Ref No.	Parts No.	Parts Name	Description	Q'ty	S·R	Remarks
15- 1	260-21110-00-62	FRAME COMP.		1		ADRIAN BLUE
	260-21110-00-66	FRAME COMP. <i>66-20</i>		1		SUN SHINE RED
15- 2	260-21610-00	REAR FENDER COMP.		1		
15- 3	91101-06015	BOLT		4		
15- 4	92901-06200	WASHER, plain		2		
15- 5	92901-06100	WASHER, spring		2		
15- 6	220-22210-00-62	REAR CUSHION ASS'Y		2		ADRIAN BLUE
	220-22210-00-66	REAR CUSHION ASS'Y		2		SUN SHINE RED
15- 7	220-22242-00	BOLT, rear cushion	(ISO)	2		
15- 8	220-22251-00	NUT, cap	(ISO)	2		
15- 9	167-22251-00	NUT, cushion unit		1		
15-10	92804-10700	NUT, crown		1		
15-11	102-22243-00	WASHER, rear cushion	10-25-2	4		
15-12	122-22243-00	WASHER, rear cushion	12-27-2	2		
15-13	122-22244-00	WASHER, rear cushion	12-22-2	2		
15-14	180-21483-00	BOLT, engine mounting		1		
15-15	207-28100-00	TOOL ASS'Y	(ISO)	1 s		☆
15-16	97101-08120	BOLT	(ISO)	1		
15-17	220-21494-00	NUT		1		
15-18	92901-08100	WASHER, spring		1		
15-19	220-21711-00-62	COVER, side (L.H)		1		ADRIAN BLUE
	220-21711-00-66	COVER, side (L.H)		1		SUN SHINE RED
15-20	102-21714-00	KNOB, side cover (L.H)		1		
15-21	102-21718-00	RING, stop		1		
15-22	260-21787-00	EMBLEM		1		
15-23	141-21717-00	DAMPER, side cover		1		
<b>ALTERNATE PARTS</b>						
15-24	220-22210-20	REAR CUSHION ASS'Y		2		



Fig. 16 REAR ARM & CHAIN CASE

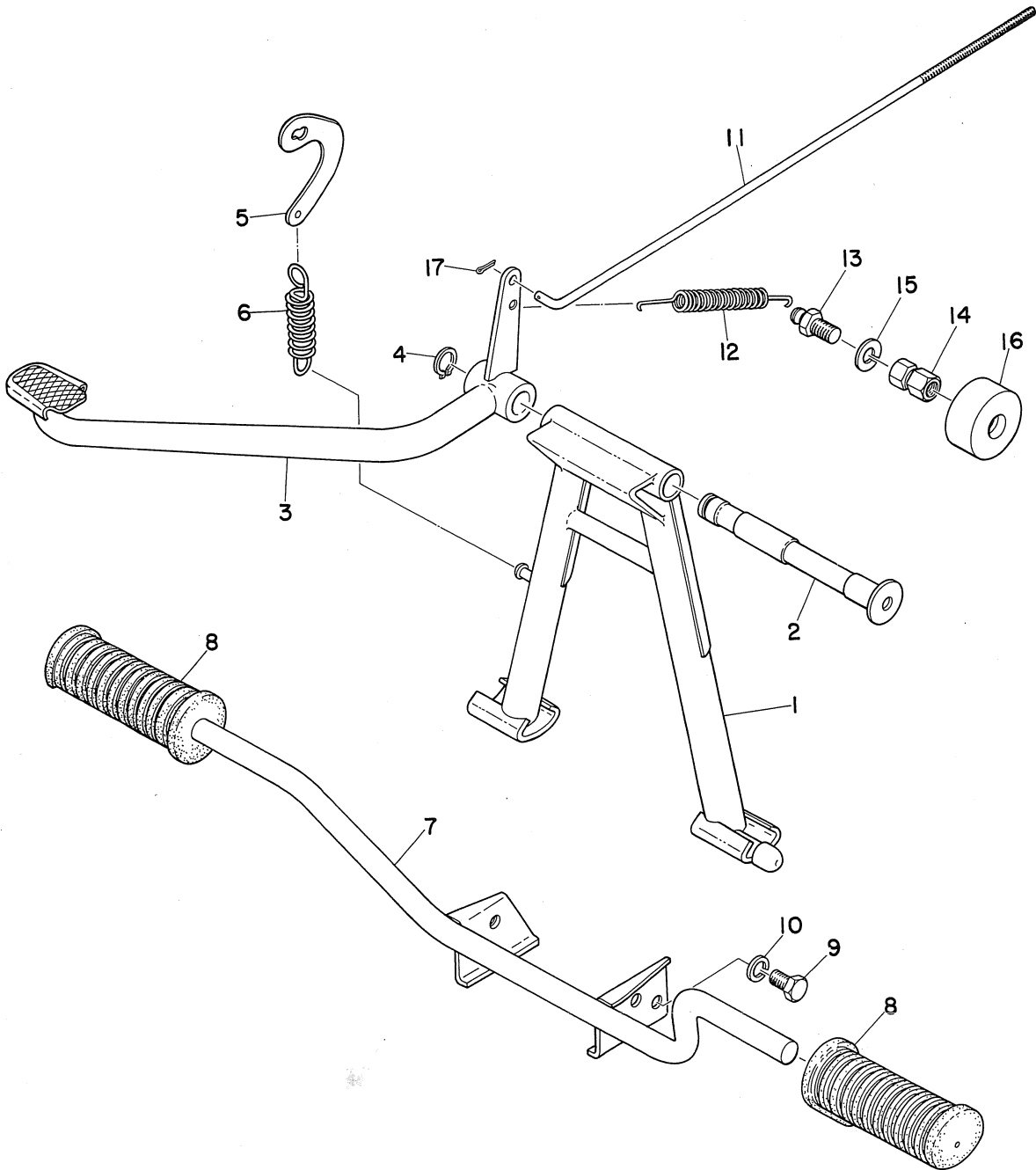


## REAR ARM & CHAIN CASE

Ref No.	Parts No.	Parts Name	Description	Q'ty	S·R	Remarks
16- 1	220-22110-00-62	REAR ARM COMP.	(ISO)	1		ADRIAN BLUE
	220-22110-00-66	REAR ARM COMP.	(ISO)	1		SUN SHINE RED
16- 2	102-22123-00	BUSHING, rear arm		2		
16- 3	102-22141-01	SHAFT, pivot		1		
16- 4	92801-10100	NUT		1		
16- 5	122-22151-00	SEAL, guard		1		
16- 6	180-22117-00	CAP, rear arm		1		
16- 7	260-22311-00	CHAIN CASE, half	(ISO)	1		
16- 8	207-22331-00	SCREW, chain case fitting	(ISO)	1		
16- 9	98501-05020	SCREW, pan head	(ISO)	1		
16-10	92901-05100	WASHER, spring		2		
		<b>ALTERNATE PARTS</b>				
16-11	120-27430-02	REAR FOOTREST ASS'Y		1		
16-12	209-27430-01	REAR FOOTREST ASS'Y		1		
16-13	120-27433-00	. COVER REAR FOOTREST		2		
16-14	206-27436-00	NUT, rear footrest		2		



Fig. 17 STAND, FOOT REST & REAR BRAKE PEDAL

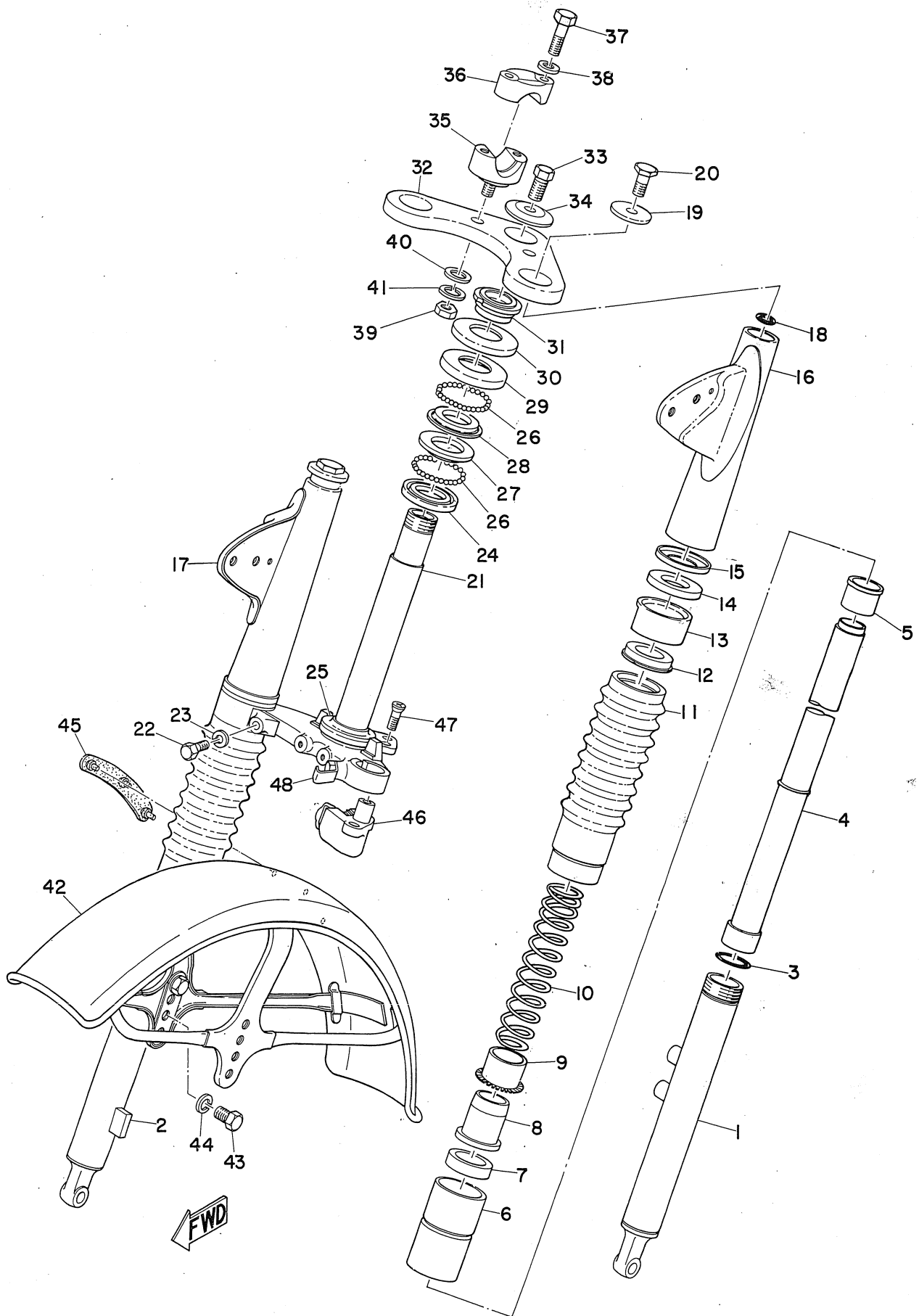




## STAND, FOOT REST & REAR BRAKE PEDAL

Ref No.	Parts No.	Parts Name	Description	Q'ty	S·R	Remarks
17- 1	207-27111-00-33	STAND, main		1		
17- 2	122-27112-00	SHAFT, main stand		1		
17- 3	260-27211-00	PEDAL, brake		1		
17- 4	93430-12008	CIRCLIP		1		
17- 5	109-27115-00	LINK, main stand		1		
17- 6	122-27116-00	SPRING, main stand		1		
17- 7	260-27411-00-33	FOOT REST		1		
17- 8	122-27413-00	COVER, foot rest		2		
17- 9	97201-08015	BOLT	(ISO)	1		
17-10	92901-08100	WASHER, spring		1		
17-11	180-27231-01	ROD, brake		1		
17-12	109-27216-00	SPRING, pedal return		1		
17-13	205-27117-00	BOLT		1		
17-14	209-27118-00	NUT		1		
17-15	92901-08100	WASHER, spring		1		
17-16	209-27114-00	STOPPER, main stand		1		
17-17	91401-20012	PIN, cotter		1		

Fig. 18 FRONT FORK & FRONT FENDER

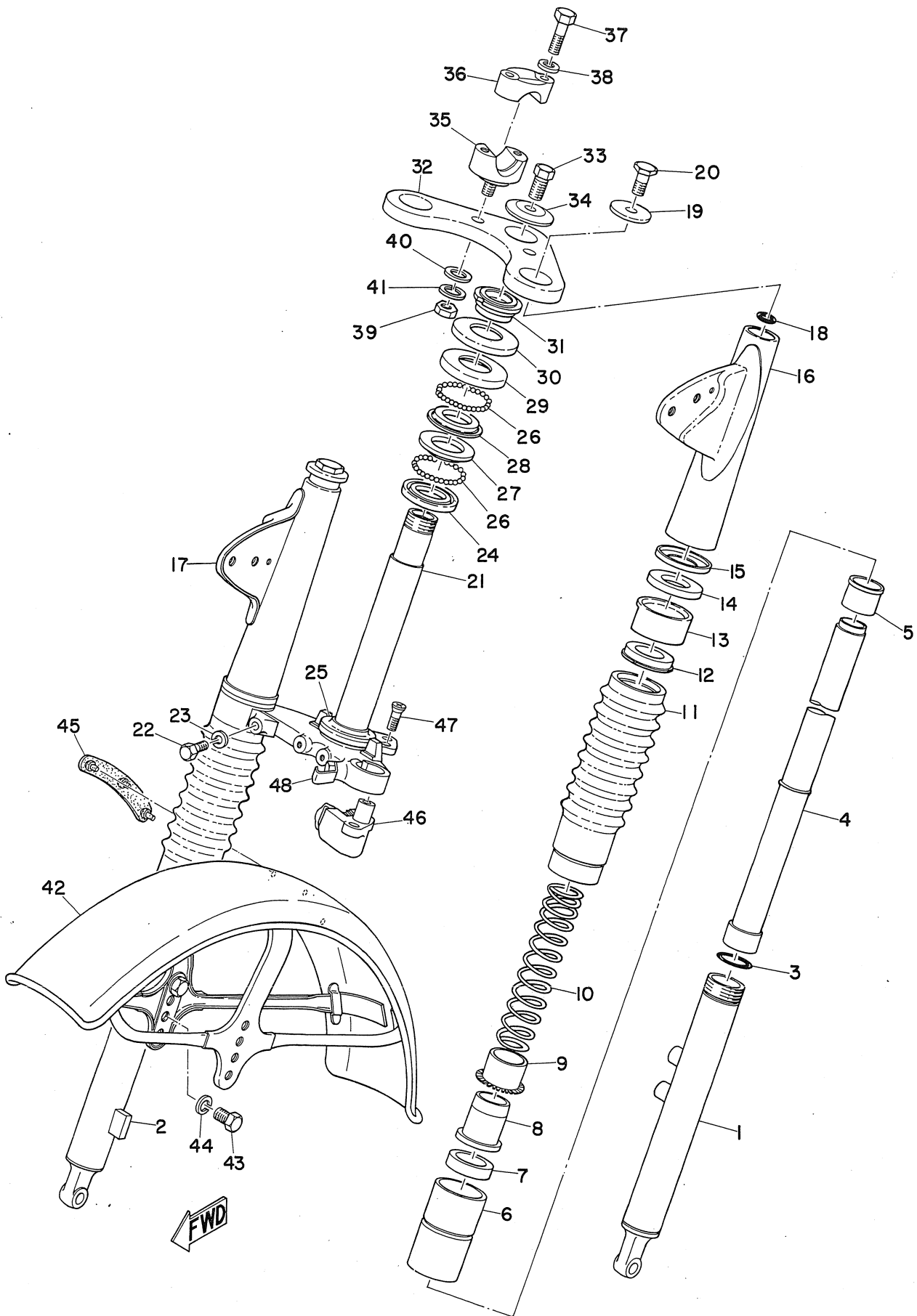


## FRONT FORK & FRONT FENDER

Ref No.	Parts No.	Parts Name	Description	Q'ty	S·R	Remarks
18- 0-1	260-23100-40-62	FRONT FORK ASS'Y	(ISO)	1		ADRIAN BLUE
	260-23100-40-66	FRONT FORK ASS'Y	(ISO)	1		SUN SHINE RED
18- 1	260-23126-40-35	. TUBE, outer (L.H)	(ISO)	1		
18- 2	260-23136-40-35	. TUBE, outer (R.H)	(ISO)	1		
18- 3	207-23147-00	. O-RING		2		
18- 4	207-23124-00	. TUBE, inner (L.H)		1		
18- 4-1	207-23134-00	. TUBE, inner (R.H)		1		
18- 5	109-23125-00	. METAL, slide		2		
18- 6	209-23150-40	. OUTER NUT COMP.		2		
18- 7	109-23145-00	. . OIL SEAL		2		
18- 8	109-23143-00	. SEAT, spring under		2		
18- 9	207-23117-00	. GUIDE, spring		2		
18-10	207-23141-00	. SPRING, fork		2		
18-11	196-23191-40	. BOOT		2		
18-12	209-23142-40	. SEAT, spring upper		2		
18-13	209-23122-40	. COVER, outer		2		
18-14	207-23163-00	. PACKING		2		
18-15	207-23116-00	. GUIDE, cover under		2		
18-16	260-23121-40-62	. COVER, upper (L.H)	4-25	1		ADRIAN BLUE
	260-23121-40-66	. COVER, upper (L.H)		1		SUN SHINE RED
18-17	260-23131-40-62	. COVER, upper (R.H)		1		ADRIAN BLUE
	260-23131-40-66	. COVER, upper (R.H)		1		SUN SHINE RED
18-18	122-23114-00	. PACKING		2		
18-19	207-23112-00	. WASHER, cap		2		
18-20	260-23111-40	. BOLT, cap		2		
18-21	260-23340-40-33	. UNDER BRACKET COMP.	19-25	1		
18-22	122-23346-00	. BOLT, under bracket		2		
18-23	92901-10100	. WASHER, spring		2		
18-24	156-23411-00	. RACE, ball (1)		1		
18-25	164-23462-00	SEAL, dust		1		
18-26	93501-04004	BALL	1/4"	38		
18-27	156-23412-00	RACE, ball (2)		1		
18-28	183-23411-00	RACE, ball (1)		1		
18-29	183-23412-00	RACE, ball (2)		1		
18-30	136-23415-00	COVER, ball race		1		
18-31	122-23453-00	NUT, fitting		1		
18-32	185-23435-00-35	CROWN, handle 3-50		1		
18-33	122-23451-00	BOLT, fitting		1		



Fig. 18 FRONT FORK & FRONT FENDER



## FRONT FORK & FRONT FENDER

Ref No.	Parts No.	Parts Name	Description	Q'ty	S·R	Remarks
18-34	122-23443-00	WASHER, crown		1		
18-35	122-23442-02	HOLDER, handle under		2		
18-36	122-23441-00	HOLDER, handle upper		2		
18-37	91104-06035	BOLT		4		
18-38	92901-06100	WASHER, spring		4		
18-39	92802-10100	NUT		2		
18-40	92902-10200	WASHER, plain		2		
18-41	92902-10100	WASHER, spring		2		
18-42	260-21510-00	FRONT FENDER COMP.	18 65 9/16 75	1		
18-43	97202-08012	BOLT	(ISO)	4		
18-44	92902-08100	WASHER, spring		4		
18-45	122-21517-00	PAD, wire		1		
18-46	260-23480-00	STEERING LOCK ASS'Y	(ISO)	1		
18-47	98601-05012	SCREW, oval head	(ISO)	2		
18-48	260-23318-40	HOLDER, wire		1		

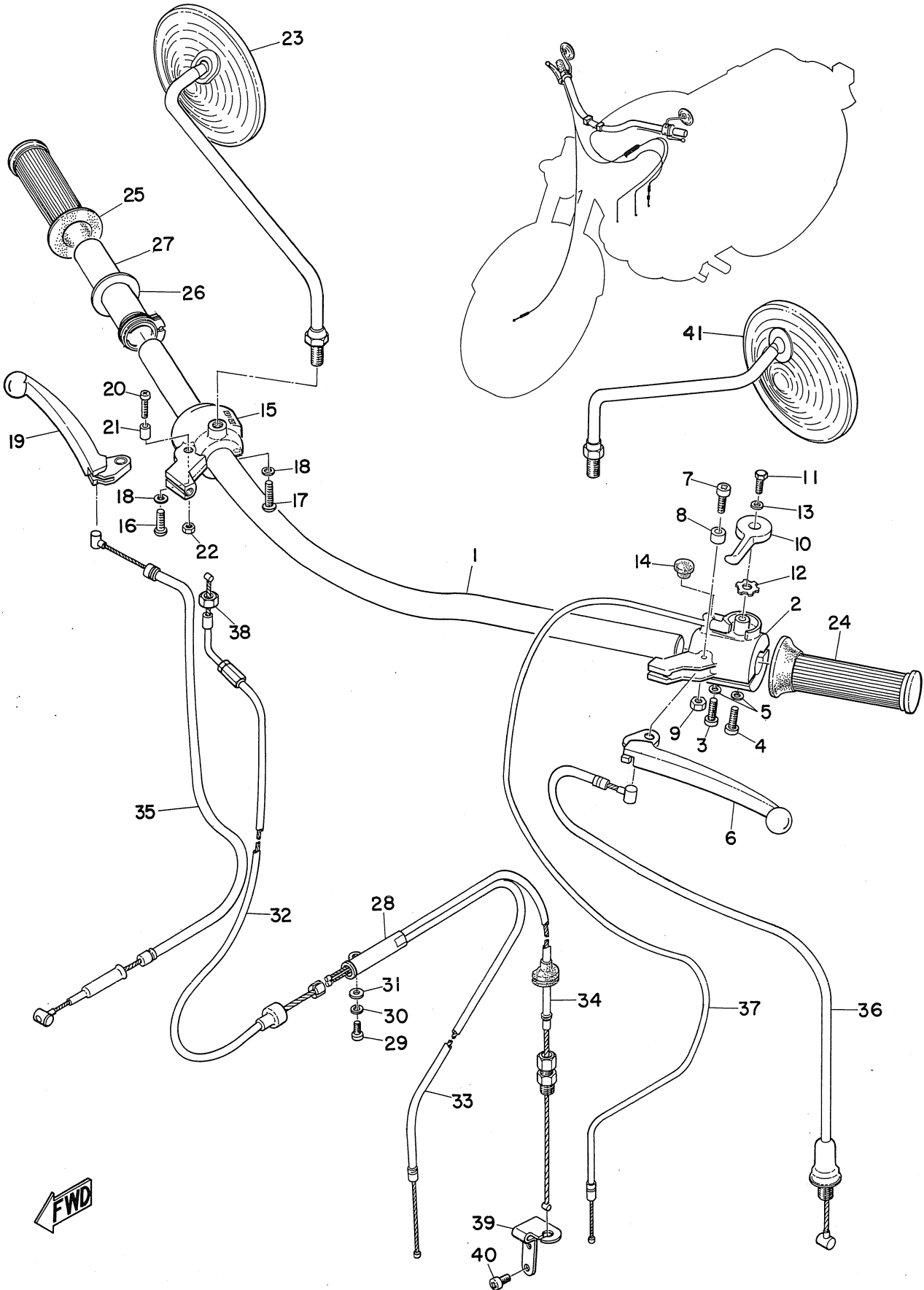


# HANDLE & WIRE

Ref No.	Parts No.	Parts Name	Description	Q'ty	S·R	Remarks
19- 1	183-26111-20	HANDLE	BAR	1		
	115-26111-10	HANDLE	UP	1		
19- 2	137-82710-10	LEVER HOLDER ASS'Y (L.H)	ISO	1		
19- 3	98501-05020	. SCREW, pan head	ISO	1		
19- 4	98501-05025	. SCREW, pan head	ISO	2		
19- 5	92901-05100	. WASHER, spring		3		
19- 6	137-83912-01	. LEVER (L.H)		1		
19- 7	98503-05025	. SCREW, pan head	ISO	1		
19- 8	137-83913-01	. COLLAR, lever	ISO	1		
19- 9	98801-05100	. NUT	ISO	1		
19-10	137-83941-01	. LEVER, starter		1		
19-11	137-83945-00	BOLT, lever		1		
19-12	137-83944-00	WASHER, spring		1		
19-13	92901-06200	WASHER, plain		1		
19-14	116-83931-00	PLUG, blind		1		
19-15	109-82820-10	LEVER HOLDER ASS'Y (R.H)	ISO	1		
19-16	98501-05020	. SCREW, pan head	ISO	1		
19-17	98501-05025	. SCREW, pan head	ISO	2		
19-18	92901-05100	. WASHER, spring		3		
19-19	137-83922-01	. LEVER (R.H)		1		
19-20	98503-05025	. SCREW, pan head	ISO	1		
19-21	137-83913-01	. COLLAR, lever	ISO	1		
19-22	98801-05100	. NUT	ISO	1		
19-23	266-26290-00	BACK MIRROR ASS'Y		1		
19-24	136-26241-00	GRIP (L.H)		1		
19-25	137-26242-60	GRIP (R.H)		1		
19-26	150-26249-00	RING, leaf		1		
19-27	137-26243-60	TUBE, guide		1		
19-28	137-26261-01	CYLINDER, wire		1		
19-29	92501-06012	SCREW, pan head		1		
19-30	92901-06100	WASHER, spring		1		
19-31	92901-06200	WASHER, plain		1		
19-32	260-26311-20	WIRE, throttle (1)		1		
	212-26311-00	WIRE, throttle (1)	UP	1		
19-33	207-26312-00	WIRE, throttle (2)		1		
19-34	260-26321-00	WIRE, pump		1		
19-35	109-26341-20	WIRE, brake		1		
	260-26341-10	WIRE, brake	UP	1		



Fig. 19 HANDLE & WIRE



FWD

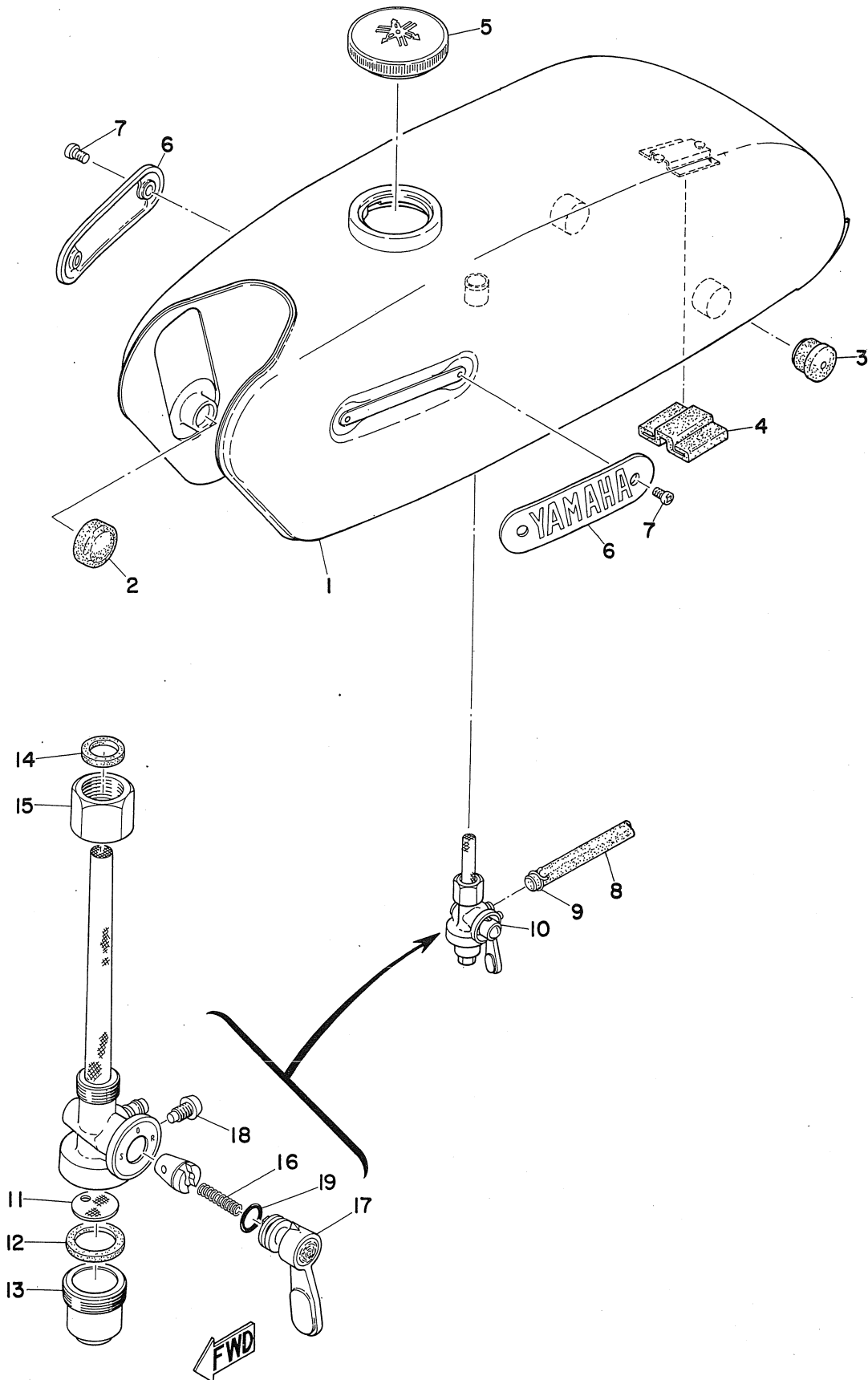


# HANDLE & WIRE

Ref No.	Parts No.	Parts Name	Description	Q'ty	S·R	Remarks
19-36	260-26335-20	WIRE, clutch		1		
	260-26335-10	WIRE, clutch	UP	1		
19-37	137-26331-11	WIRE, starter	UP	1		
	137-26331-30	WIRE, starter		1		
19-38	169-26251-00	NUT, adjusting	Ⓜ	1		
19-39	257-13151-00	STAY		1		
19-40	98502-05008	SCREW, pan head	Ⓜ	2		
<b>ALTERNATE PARTS</b>						
19-41	266-26290-10	BACK MIRROR ASS'Y (L.H)		1		



Fig. 20 FUEL TANK

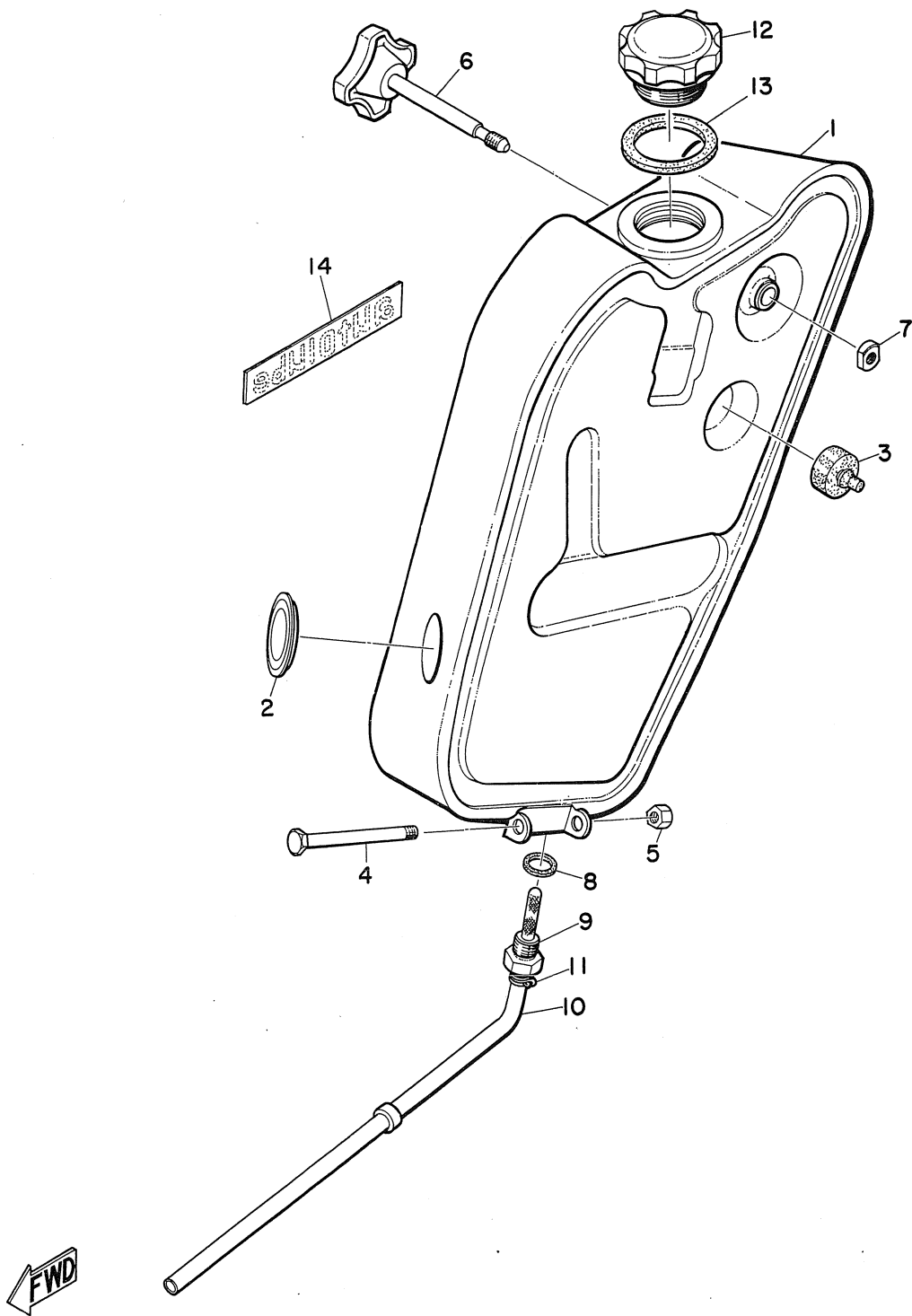


# FUEL TANK

Ref No.	Parts No.	Parts Name	Description	Q'ty	S·R	Remarks
20- 1	260-24110-00-01	FUEL TANK COMP.	ISO	1		ADRIAN BLUE
	260-24110-00-02	FUEL TANK COMP.	ISO	1		SUN SHINE RED
20- 2	122-24181-00	DAMPER, locating (1)		2		
20- 3	122-24182-01	DAMPER, locating (2)		2		
20- 4	129-24183-00	DAMPER, locating (3)		1		
20- 5	122-24610-01	CAP ASS'Y		1		
20- 6	129-24161-00	EMBLEM, fuel tank		2		
20- 7	98501-04008	SCREW, pan head	ISO	4		
20- 8	156-21766-00	PIPE, fuel		1		
20- 9	101-24356-00	CLIP, pipe		2		
20-10	207-24500-00	FUEL COCK ASS'Y	ISO	1		
20-11	122-24515-00	. NET, filter		1		
20-12	102-24522-00	. GASKET, filter		1		
20-13	122-24521-00	. CUP, filter		1		
20-14	122-24532-00	. GASKET, nut		1		
20-15	122-24531-00	. NUT		1		
20-16	102-24529-00	. SPRING		1		
20-17	122-24524-00	. LEVER, cock		1		
20-18	127-24535-00	. SCREW, lever fitting	ISO	1		
20-19	122-24534-00	. SEAL, cock lever		1		



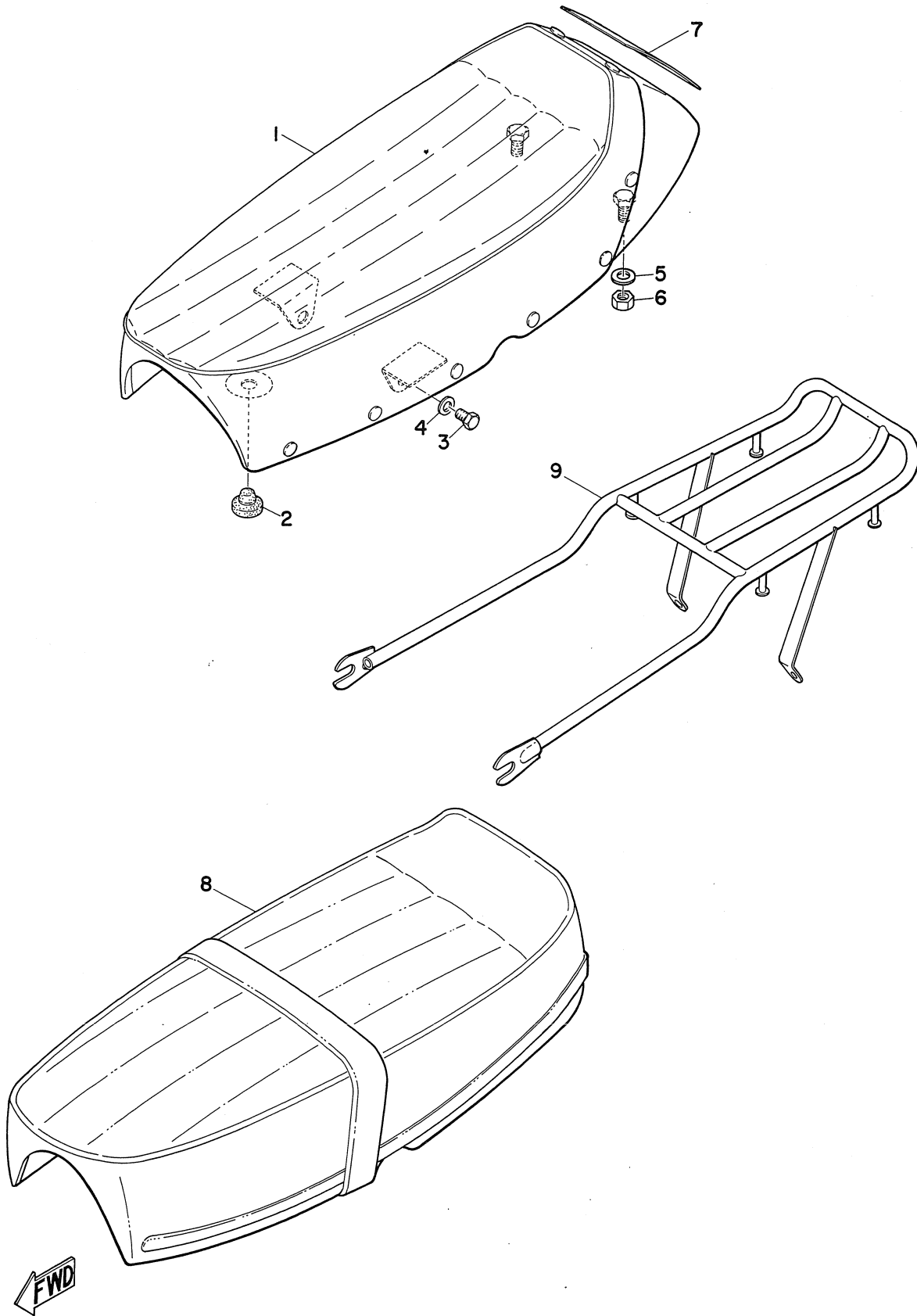
Fig. 21 OIL TANK



# OIL TANK

Ref No.	Parts No.	Parts Name	Description	Q'ty	S · R	Remarks
21- 1	220-21705-01-62	OIL TANK ASS'Y	ISO	1		ADRIAN BLUE
	220-21705-01-66	OIL TANK ASS'Y	ISO	1		SUN SHINE RED
21- 2	214-21761-00	. GAUGE, level		1		
21- 3	164-21778-00	DAMPER, locating		2		
21- 4	164-21775-01	BOLT, tank fitting	ISO	1		
21- 5	98801-05100	NUT	ISO	1		
21- 6	209-21724-00	KNOB, side cover (R.H)		1		
21- 7	136-21713-00	NUT, latch clamp		1		
21- 8	137-21767-00	GASKET, union		1		
21- 9	137-21768-01	SCREW, union		1		
21-10	164-24319-00	PIPE, oil		1		
21-11	101-24356-00	CLIP, pipe		2		
21-12	183-21770-11	OIL TANK CAP ASS'Y		1		
21-13	214-21772-00	GASKET, cap		1		
21-14	137-21781-00	EMBLEM, autolube		1		

Fig. 22 SEAT & CARRIER

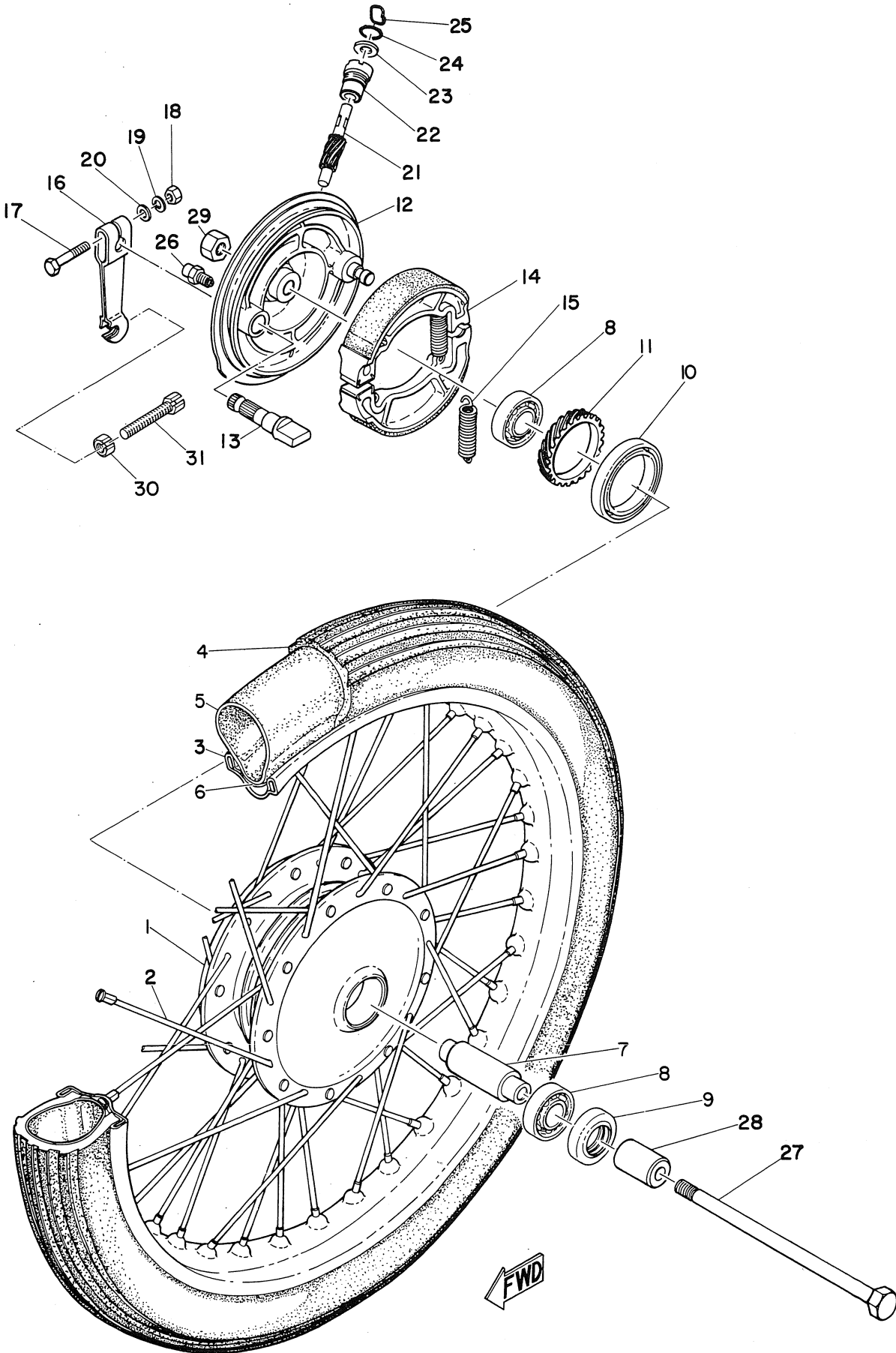


# SEAT & CARRIER

Ref No.	Parts No.	Parts Name	Description	Q'ty	S · R	Remarks
22- 1	260-24770-00-01	SEMI-DOUBLE SEAT ASS'Y		1		ADRIAN BLUE
	260-24770-00-02	SEMI-DOUBLE SEAT ASS'Y		1		SUN SHINE RED
22- 1-1	260-24771-00	. COVER, semi-double seat		1		
22- 2	174-24741-00	PAD, seat		2		
22- 3	91202-06012	BOLT		2		
22- 4	92902-06200	WASHER, plain		2		
22- 5	92901-08200	WASHER, plain		2		
22- 6	98802-08100	NUT	(ISO)	2		
22- 7	260-24786-00	EMBLEM, seat		} U.R		ADRIAN BLUE
	260-24786-10	EMBLEM, seat			1	
<b>ALTERNATE PARTS</b>						
22- 8	260-24730-00	DOUBLE SEAT ASS'Y		1		
22- 8-1	260-24731-00	. COVER, double seat		1		
22- 9	207-24830-00	SUB-CARRIER ASS'Y		1		



Fig. 23 FRONT WHEEL



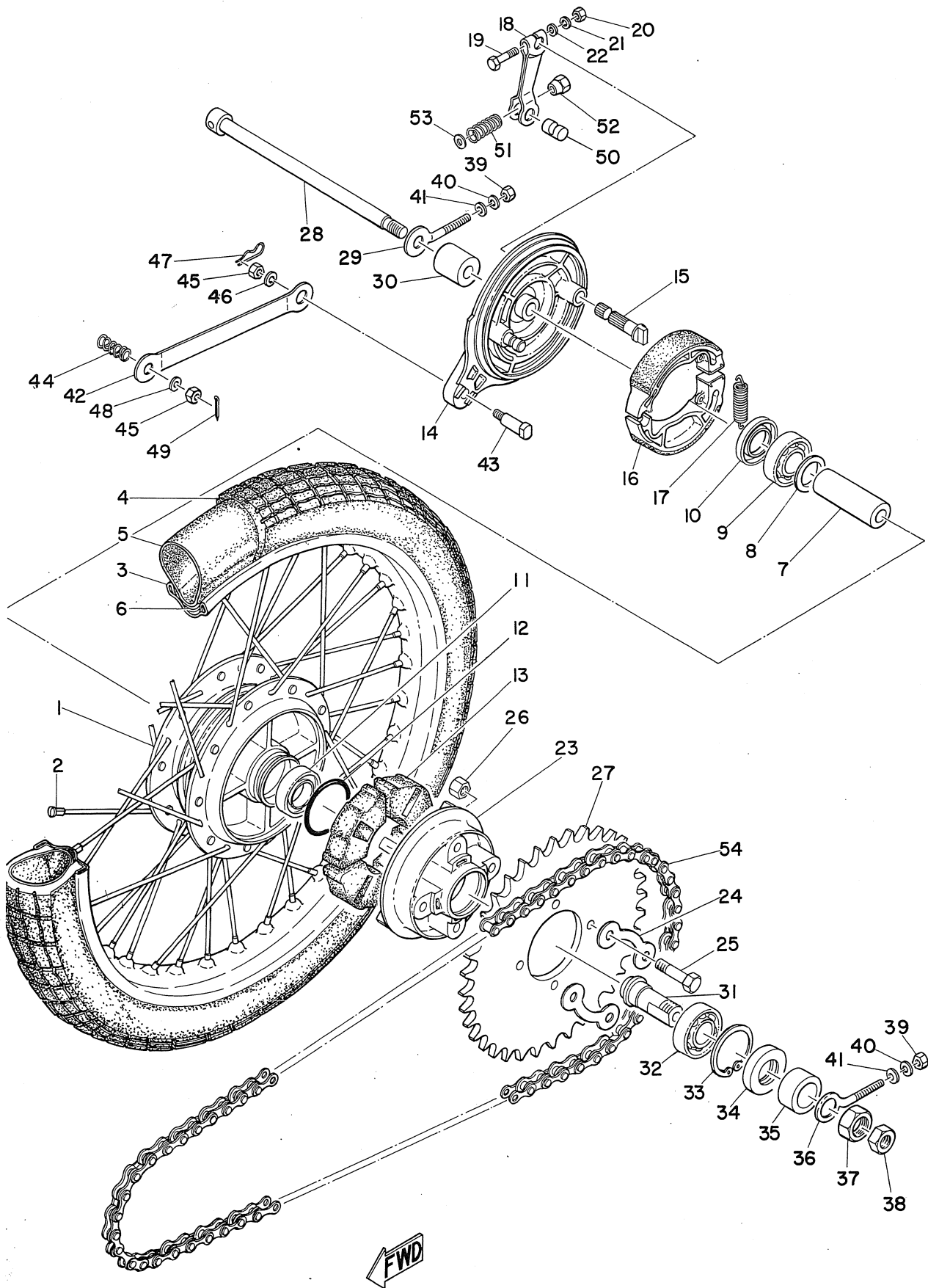


## FRONT WHEEL

Ref No.	Parts No.	Parts Name	Description	Q'ty	S·R	Remarks
23- 1	109-25111-00	HUB, front		1		
23- 2	109-25104-00	SPOKE SET		1s		
23- 3	94412-17002	RIM	1.20-17	1		☆
23- 4	94122-17008	TIRE, front	2.25-17-4PR	1		☆
23- 5	94222-17003	TUBE	2.25-17	1		
23- 6	94322-17002	BAND, rim	2.25-17	1		
23- 7	102-25117-00	SPACER, bearing		1		
23- 8	93306-20204	BEARING	6202Z	2		
23- 9	93106-20001	OIL SEAL	DD-20-35-7	1		
23-10	93107-42001	OIL SEAL	OS-42-52.5	1		
23-11	109-25135-00	GEAR, drive	-7	1		
23-12	109-25121-01	PLATE, brake shoe		1		
23-13	122-25351-01	CAM SHAFT		1		
23-14	122-25330-00	BRAKE SHOE COMP.		2		
23-15	102-25333-00	SPRING, brake shoe return		2		
23-16	109-25155-00	LEVER, cam shaft		1		
23-17	91201-06030	BOLT		1		
23-18	92801-06100	NUT		1		
23-19	92901-06100	WASHER, spring		1		
23-20	92901-06200	WASHER, plain		1		
23-21	141-25138-00	GEAR, meter		1		
23-22	109-25136-00	BUSHING		1		
23-23	93104-07003	OIL SEAL	SO-7-14-4	1		
23-24	93210-13017	O-RING	2.4-13.4	1		
23-25	102-25137-00	RING, stop		1		
23-26	93700-06001	NIPPLE, grease		1		
23-27	128-25181-00	SHAFT, front wheel		1		
23-28	128-25183-00	COLLAR, wheel shaft		1		
23-29	92801-10100	NUT		1		
23-30	109-26344-00	NUT, wire adjusting		1		
23-31	109-26345-00	BOLT, wire adjusting		1		



Fig. 24 REAR WHEEL

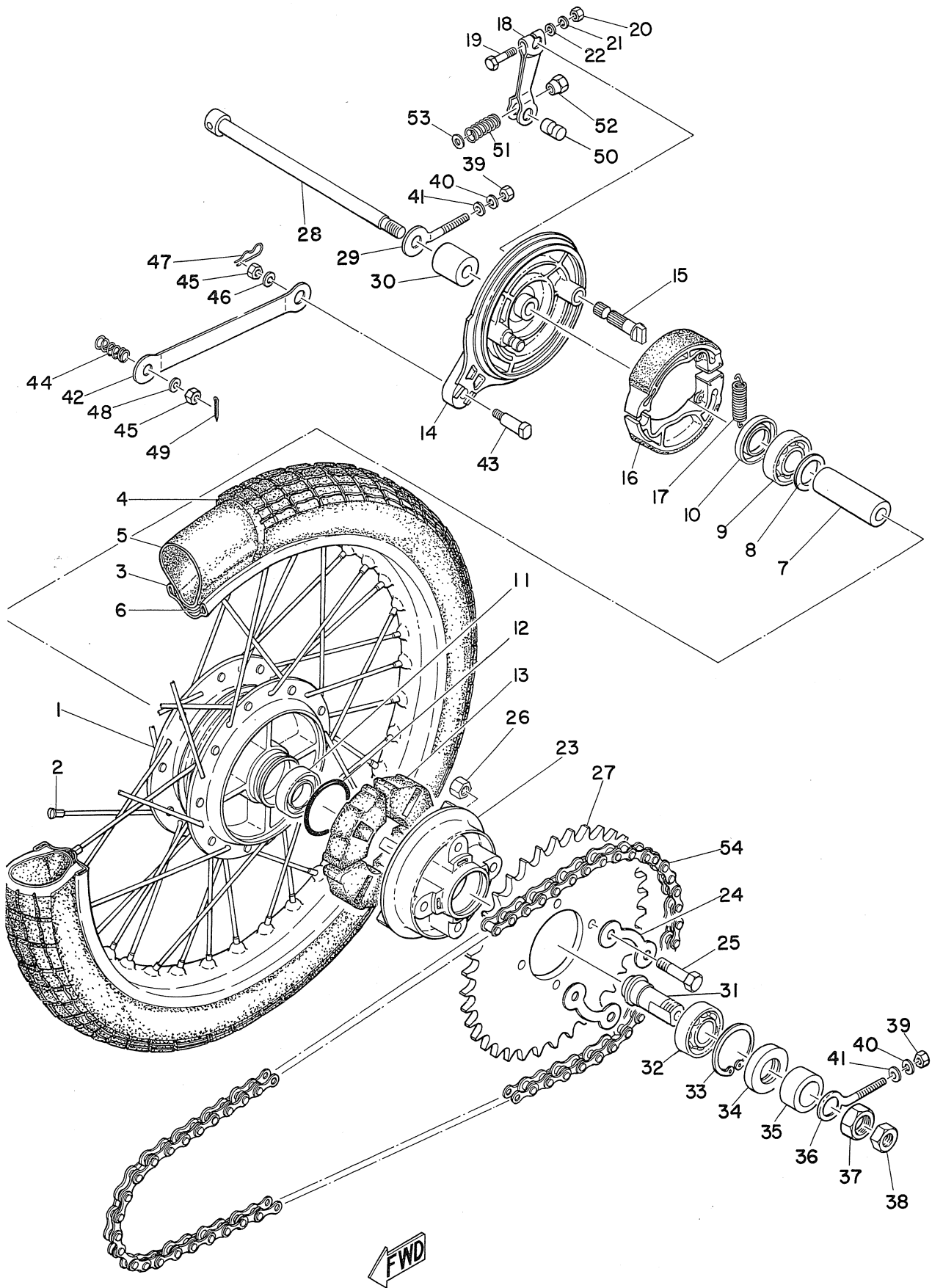


# REAR WHEEL

Ref No.	Parts No.	Parts Name	Description	Q'ty	S·R	Remarks
24- 1	132-25311-00	HUB, rear		1		
24- 2	122-25304-00	SPOKE SET		1s		
24- 3	94414-17003	RIM	1.40x17	1		
24- 4	94125-17012	TIRE, rear	2.50-17-4PR	1		☆
24- 5	94225-17005	TUBE	2.50-17	1		☆
24- 6	94325-17004	BAND, rim	2.50-17	1		
24- 7	102-25317-00	SPACER, bearing		1		
24- 8	102-25315-00	FLANGE, spacer		1		
24- 9	93306-30101	BEARING	6301	1		
24-10	93104-21016	OIL SEAL	SO-21-37-7	1		
24-11	93306-30103	BEARING	6301	1		
24-12	93210-41041	O-RING	4-40.5	1		
24-13	132-25364-00	DAMPER, clutch		4		
24-14	102-25321-00	PLATE, brake shoe		1		
24-15	122-25351-01	CAM SHAFT		1		
24-16	122-25330-00	BRAKE SHOE COMP.		2		
24-17	102-25333-00	SPRING, brake shoe return		2		
24-18	122-25355-00	LEVER, cam shaft		1		
24-19	91201-06030	BOLT		1		
24-20	92801-06100	NUT		1		
24-21	92901-06100	WASHER, spring		1		
24-22	92901-06200	WASHER, plain		1		
24-23	132-25366-01	CLUTCH, hub		1		
24-24	102-25412-00	WASHER, lock		2		
24-25	207-25411-00	BOLT, fitting	ISO	4		
24-26	98801-08200	NUT	ISO	4		
24-27	122-25439-11	GEAR, sprocket wheel	39T	1		40T
24-28	180-25381-00	SHAFT, wheel		1		YRS 122
24-29	102-25389-00	PULLER, chain (R.H)		1		-40
24-30	102-25383-00	COLLAR, wheel shaft		1		57 20 H
24-31	102-25387-02	SHAFT, sprocket		1		
24-32	93306-00406	BEARING	6004	1		
24-33	93420-42007	CIRCLIP		1		
24-34	93106-30004	OIL SEAL	DD-30-42-8	1		
24-35	102-25386-01	COLLAR, sprocket shaft		1		
24-36	127-25388-00	PULLER, chain (L.H)		1		
24-37	102-25385-01	NUT, sprocket shaft		1		
24-38	92801-10100	NUT		1		



Fig. 24 REAR WHEEL

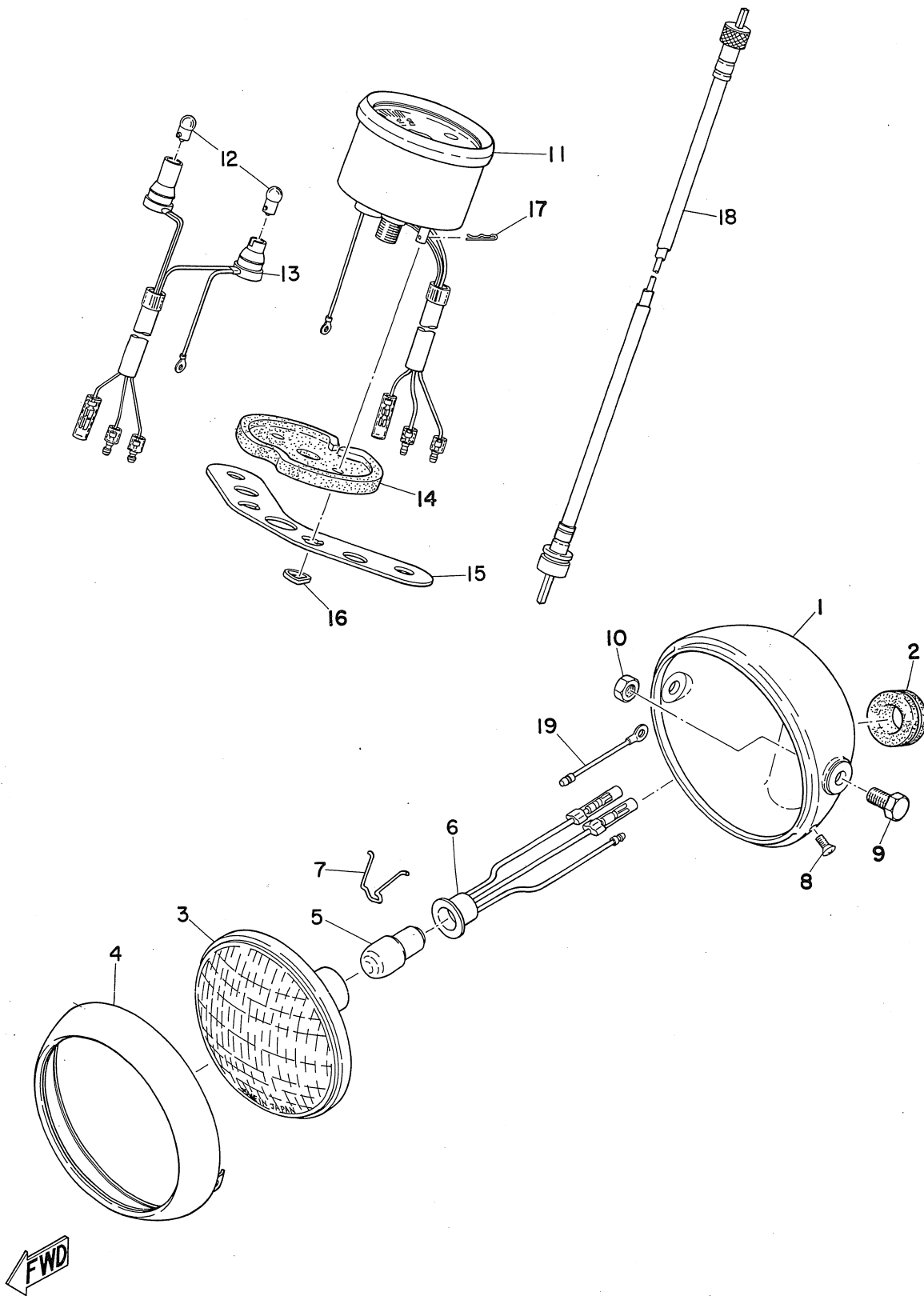


## REAR WHEEL

Ref No.	Parts No.	Parts Name	Description	Q'ty	S·R	Remarks
24-39	92801-06100	NUT		2		
24-40	92901-06100	WASHER, spring		2		
24-41	92901-06200	WASHER, plain		2		
24-42	102-25371-00	BAR, tension		1		
24-43	102-25373-00	BOLT, tension bar		1		
24-44	102-25374-00	SPRING, tension bar		1		
24-45	98801-08300	NUT	(ISO)	2		
24-46	92901-08100	WASHER, spring		1		
24-47	102-25375-00	CLIP, tension bar		1		
24-48	92901-08200	WASHER, plain		1		
24-49	91401-20012	PIN, cotter		1		
24-50	156-27237-00	PIN, clevis		1		
24-51	180-27236-00	SPRING, rod		1		
24-52	206-27238-00	NUT, adjusting	(ISO)	1		
24-53	92901-06200	WASHER, plain		1		
24-54	94504-20096	CHAIN	420-96P	1		
24-54-1	94604-20001	. JOINT, chain		1		



Fig. 25 HEAD LAMP & SPEEDOMETER

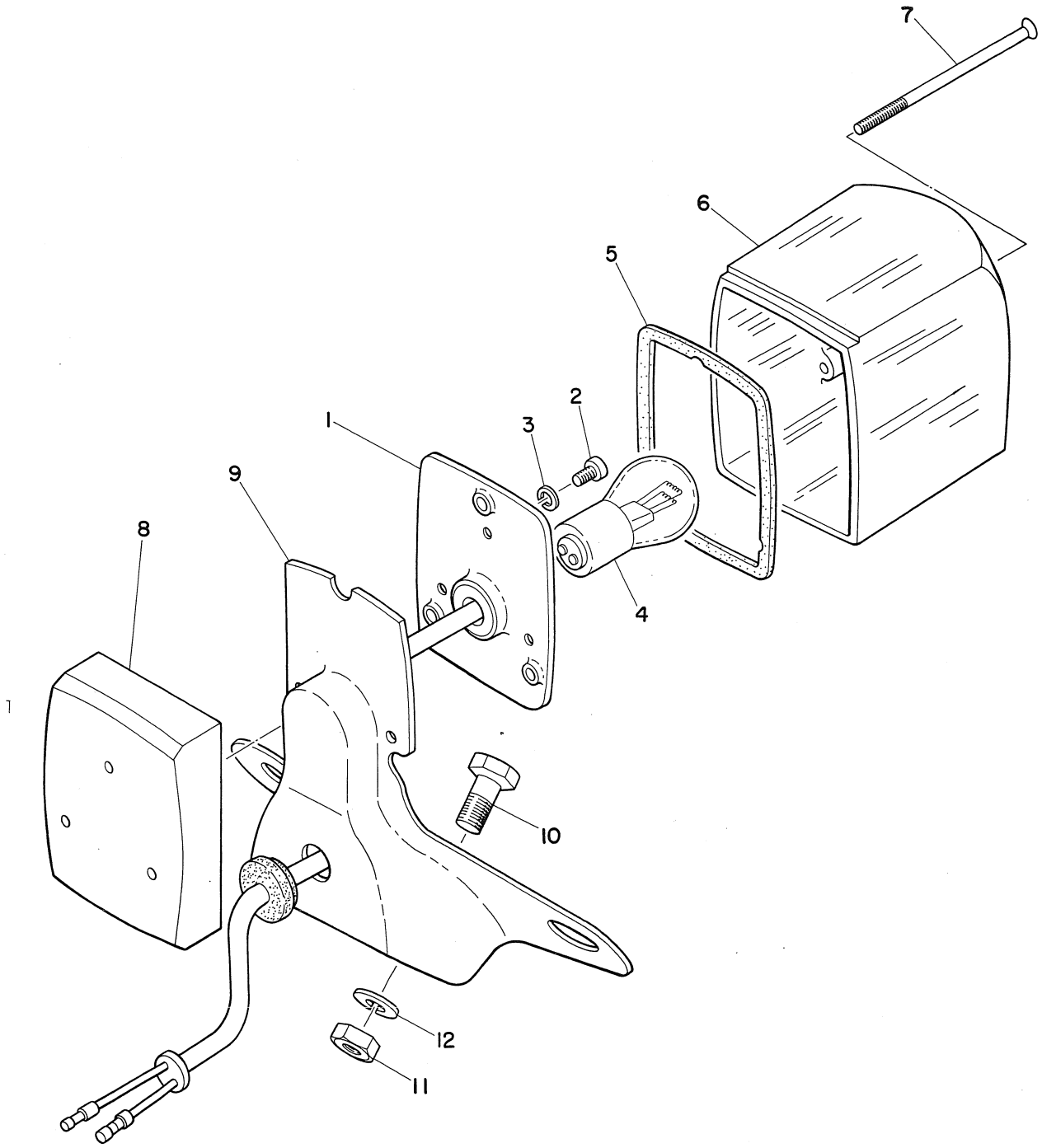


# HEAD LAMP & SPEEDOMETER

Ref No.	Parts No.	Parts Name	Description	Q'ty	S·R	Remarks
25- 1	241-84330-00-62	BODY ASS'Y		1		ADRIAN BLUE
	241-84330-00-66	BODY ASS'Y		1		SUN SHINE RED
25- 2	150-84153-00	. GROMMET		2		
25- 0-1	260-84110-00	HEAD LAMP UNIT ASS'Y	(ISO)	1		
25- 3	195-84320-00	. LENS ASS'Y		1		
25- 4	195-84315-01	. RIM, head lamp	(ISO)	1		
25- 5	104-84114-00	. BULB, head lamp	6V-15 /15W	1		☆
25- 6	241-84312-00	. SOCKET		1		
25- 7	195-84324-00	. SPRING, reflector set		3		
25- 8	195-84325-00	SCREW, rim fitting	(ISO)	1		
25- 9	97203-08018	BOLT	(ISO)	2		
25-10	98801-08300	NUT	(ISO)	2		
25-11	260-83510-10	SPEEDOMETER ASS'Y		1		Km/h
	260-83510-30	SPEEDOMETER ASS'Y		1		Mile/h
25-12	122-83516-10	. BULB	6V-3W	2		☆
25-13	260-83520-10	. SOCKET ASS'Y		1		
25-14	237-83513-00	DAMPER		1		
25-15	260-83519-00-35	BRACKET, meter		1		
25-16	214-83524-00	WASHER, special		2		
25-17	156-83525-00	CLIP		2		
25-18	260-83550-00	SPEEDOMETER CABLE ASS'Y		1		
25-19	173-84313-00	WIRE, earth		1		



Fig. 26 TAIL LAMP



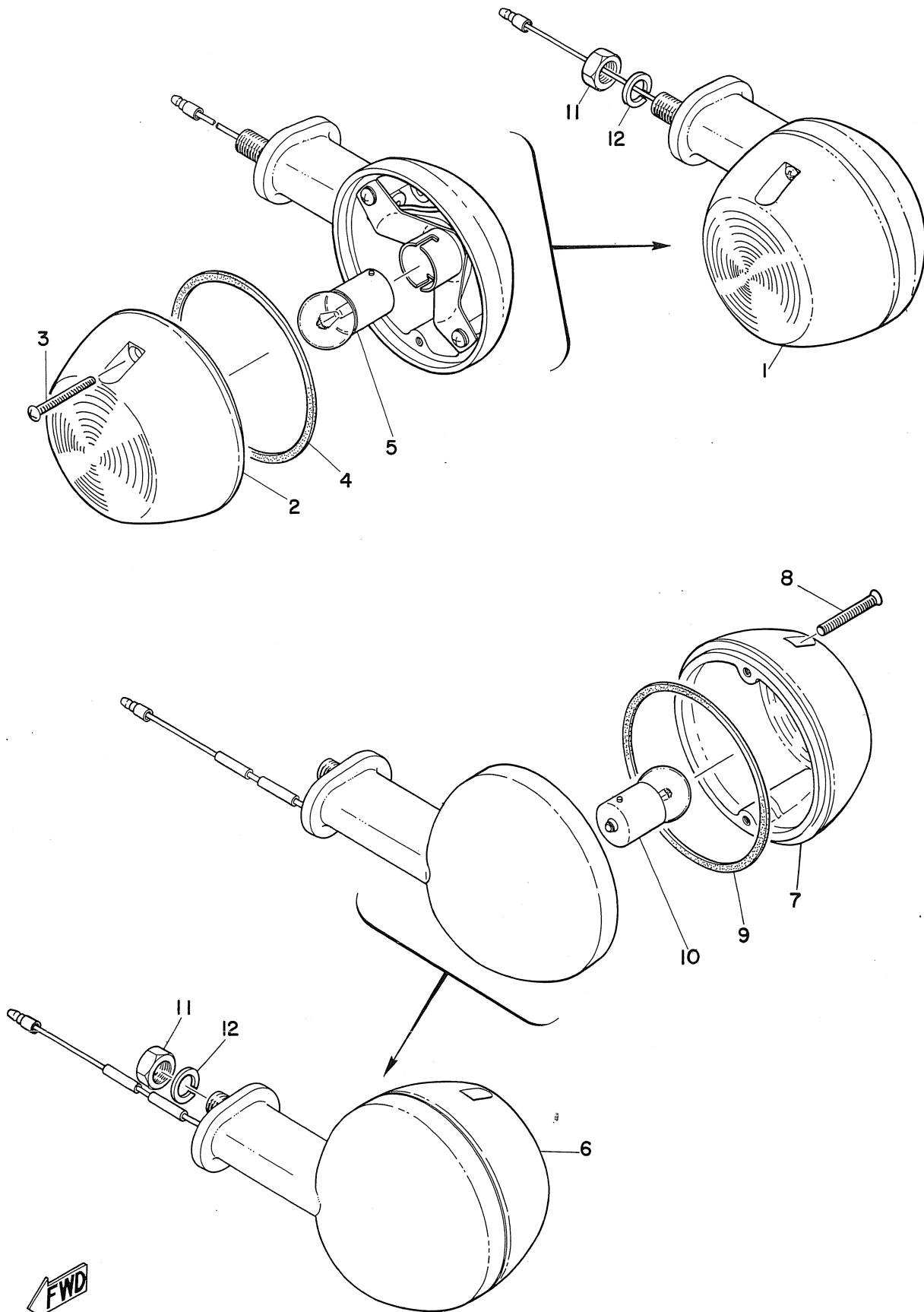


# TAIL LAMP

Ref No.	Parts No.	Parts Name	Description	Q'ty	S·R	Remarks
26- 0-1	202-84510-00	TAIL LAMP UNIT ASS'Y	(ISO)	1		
26- 1	201-84711-00	. BASE, tail lamp	(ISO)	1		
26- 2	98501-04010	. SCREW, pan head	(ISO)	3		
26- 3	92901-04100	. WASHER, spring		3		
26- 4	122-84514-00	. BULB, tail lamp	6V 10/3W	1		☆
26- 5	164-84723-00	. GASKET, tail lamp		1		
26- 6	164-84721-00	. LENS, tail lamp		1		
26- 7	201-84724-00	. SCREW, lens fitting	(ISO)	3		
26- 8	201-84716-00	. COVER, tail lamp	(ISO)	1		
26- 9	164-84751-00-35	BRACKET, licence		1		
26-10	91201-06012	BOLT		3		
26-11	92801-06100	NUT		3		
26-12	92901-06100	WASHER, spring		3		



Fig. 27 FLASHER LAMP



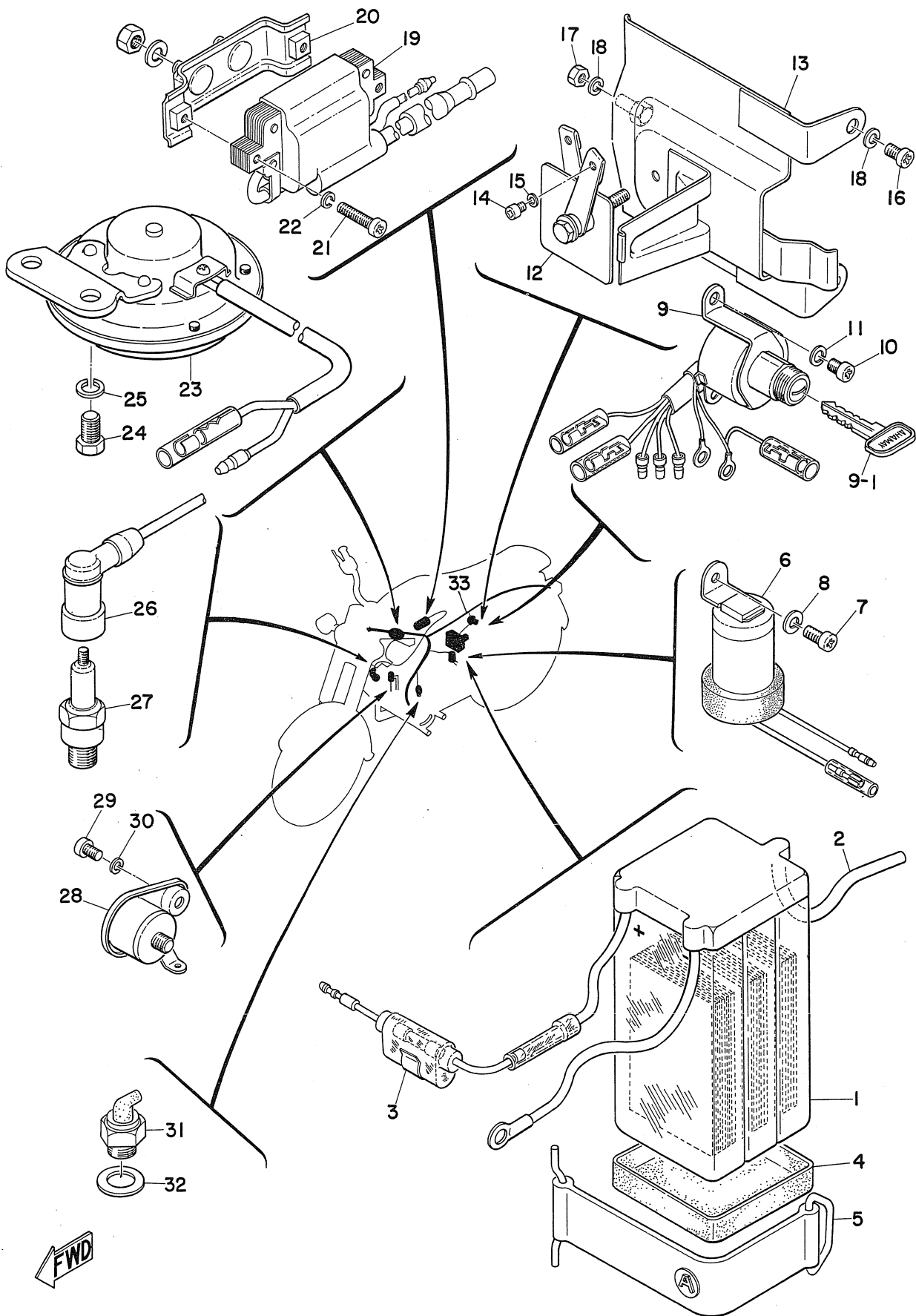
FWD

# FLASHER LAMP

Ref No.	Parts No.	Parts Name	Description	Q'ty	S · R	Remarks
27- 1	260-83310-35	FRONT FLASHER LAMP ASS'Y	(ISO)	2		
27- 2	183-83332-20	. LENS, flasher		2		
27- 3	183-83333-21	. SCREW, lens fitting	(ISO)	4		
27- 4	183-83313-20	. GASKET, flasher lens		2		
27- 5	185-83311-10	. BULB, flasher	6V-8W	2		☆
27- 6	206-83330-35	REAR FLASHER LAMP ASS'Y	(ISO)	1		
	206-83340-35	REAR FLASHER LAMP ASS'Y (L, H)	(ISO)	1		
27- 7	183-833332-20	. LENS, flasher		2		
27- 8	183-83333-21	. SCREW, lens fitting	(ISO)	4		
27- 9	183-83313-20	. GASKET, flasher lens		2		
27-10	185-83311-10	. BULB, flasher	6V-8W	2		☆
27-11	98801-08300	NUT	(ISO)	4		
27-12	92901-08100	WASHER, spring		4		



Fig. 28 ELECTRICAL



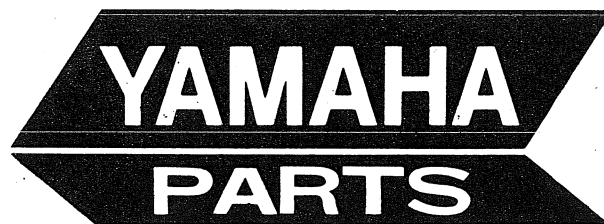
FWD

# ELECTRICAL

Ref No.	Parts No.	Parts Name	Description	Q'ty	S · R	Remarks
28- 1	104-82110-20	BATTERY ASS'Y		1		
28- 1-1	104-82111-20	. CAP, battery		3		
28- 2	123-82112-00	PIPE, breather		1		
28- 3	116-82150-00	FUSE HOLDER ASS'Y		1		
28- 3-1	116-82151-00	. FUSE	6V10A	2		
28- 4	104-82122-00	SEAT, battery		1		
28- 5	164-82131-00	BAND, battery		1		
28- 6	220-83350-10	FLASHER RELAY ASS'Y		1		
28- 7	92501-06012	SCREW, pan head		1		
28- 8	92901-06100	WASHER, spring		1		
28- 9	260-82510-20	MAIN SWITCH ASS'Y		1		
28- 9-1	260-82511-00	. KEY, main switch		2		
28-10	92501-06010	SCREW, pan head		2		
28-11	92901-06100	WASHER, spring		2		
28-12	127-81970-40	RECTIFIER ASS'Y	(ISO)	1		
28-13	220-81975-00	PLATE, rectifier fitting		1		
28-14	98501-04008	SCREW, pan head	(ISO)	2		
28-15	92901-04100	WASHER, spring		2		
28-16	92501-06008	SCREW, pan head		2		
28-17	92801-06100	NUT		1		
28-18	92901-06100	WASHER, spring		3		
28-19	206-82310-10	IGNITION COIL ASS'Y		} U.R } 1		HITACHI MITSUBISHI
	206-82310-20	IGNITION COIL ASS'Y				
28-20	206-82312-01	HOLDER, coil fitting		1		
28-21	98501-05020	SCREW, pan head	(ISO)	2		
28-22	92901-05100	WASHER, spring		2		
28-23	260-83371-10	HORN		1		
28-24	91201-06015	BOLT		2		
28-25	92901-06100	WASHER, spring		2		
28-26	117-82370-20	PLUG CAP ASS'Y		1		
28-27	94700-00006	PLUG, spark	B-8HC	1		
28-28	122-82530-00	STOP SWITCH ASS'Y		1		
28-29	98501-05010	SCREW, pan head	(ISO)	1		
28-30	92901-05100	WASHER, spring		1		
28-31	132-82540-00	NEUTRAL SWITCH ASS'Y		1		
28-32	102-82543-00	GASKET		1		
28-33	260-82590-20	WIRE HARNESS ASS'Y		1		



# NUMERICAL INDEX







# NUMERICAL INDEX

Ref No.	Parts No.	Ref No.	Parts No.	Ref No.	Parts No.
20- 9	101-24356-00	18- 5	109-23125-00	18-18	122-23114-00
21-11	101-24356-00	18- 8	109-23143-00	18-22	122-23346-00
1-12	102-11181-01	18- 7	109-23145-00	18-36	122-23441-00
3- 8	102-11633-01	23- 2	109-25104-00	18-35	122-23442-02
15-20	102-21714-00	23- 1	109-25111-00	18-34	122-23443-00
15-21	102-21718-00	23-12	109-25121-01	18-33	122-23451-00
16- 2	102-22123-00	23-11	109-25135-00	18-31	122-23453-00
16- 3	102-22141-01	23-22	109-25136-00	20- 2	122-24181-00
15-11	102-22243-00	23-16	109-25155-00	20- 3	122-24182-01
20-12	102-24522-00	19-35	109-26341-20	20-11	122-24515-00
20-16	102-24529-00	23-30	109-24344-00	20-13	122-24521-00
23- 7	102-25117-00	23-31	109-26345-00	20-17	122-24524-00
23-25	102-25137-00	17- 5	109-27115-00	20-15	122-24531-00
24- 8	102-25315-00	17-12	109-27216-00	20-14	122-24532-00
24- 7	102-25317-00	14-15	109-81328-10	20-19	122-24534-00
24-14	102-25321-00	19-15	109-82820-10	20- 5	122-24610-01
23-15	102-25333-00	14-12	110-81346-20	24- 2	122-25304-00
24-17	102-25333-00	13-13	110-81346-20	23-14	122-25330-00
24-42	102-25371-00	13- 8	110-81347-20	24-16	122-25330-00
24-43	102-25373-00	14- 8	110-81347-20	23-13	122-25351-01
24-44	102-25374-00	13- 4	110-81348-20	24-15	122-25351-01
24-47	102-25375-00	14- 4	110-81348-20	24-18	122-25355-00
24-30	102-25383-00	19- 1	115-26111-10	24-27	122-25439-11
24-37	102-25385-01	28- 3	116-82150-00	17- 2	122-27112-00
24-35	102-25386-01	28- 3-1	116-82151-00	17- 6	122-27116-00
24-31	102-25387-02	19-14	116-83931-00	17- 8	122-27413-00
24-29	102-25389-00	8-15	117-15644-00	28-28	122-82530-00
24-24	102-25412-00	28-26	117-82370-20	25-12	122-83516-10
28-32	102-82543-00	16-11	120-27430-02	26- 4	122-84514-00
13-11	104-81326-20	16-13	120-27433-00	28- 2	123-82112-00
13-16	104-81328-20	13- 7	120-81321-20	1-14	126-11171-60
28- 1	104-82110-20	13-12	120-91331-20	3- 3	126-11651-00
28- 1-1	104-82111-20	9- 3	122-14412-00	12- 1	126-13116-00
28- 4	104-82122-00	2-13	122-15486-00	10-16	127-14116-09
25- 5	104-84114-00	4- 2	122-16164-00	10- 8	127-14123-00
1-10	109-11351-00	4-13	122-16164-00	10-25	127-14124-20
1- 9	109-11361-00	18-45	122-21517-00	10-26	127-14124-20
3-10	109-11610-02	16- 5	122-22151-00	10-30	127-14125-01
3-10	109-11610-12	15-12	122-22243-00	10-20	127-14131-00
3-10	109-11610-22	15-13	122-22244-00		

# NUMERICAL INDEX

Ref No.	Parts No.	Ref No.	Parts No.	Ref No.	Parts No.
10-27	127-14133-00	7- 7	132-18137-00	19- 6	137-83912-01
10- 9	127-14134-00	6-27	132-18143-00	19- 8	137-83913-01
10-13	127-14135-00	6-25	132-18148-01	19-21	137-83913-01
10-19	127-14136-00	6-26	132-18177-00	19-19	137-83922-01
10-18	127-14137-00	24- 1	132-25311-00	19-10	137-83941-01
10- 1	127-14141-12	24-13	132-25364-00	19-12	137-83944-00
10- 2	127-14143-26	24-23	132-25366-01	19-11	137-83945-00
10- 2	127-14143-28	28-31	132-82540-00	11- 5	141-21717-00
10- 2	127-14143-30	21- 7	136-21713-00	15-23	141-21717-00
10- 2	127-14143-32	18-30	136-23415-00	23-21	141-25138-00
10- 2	127-14143-34	19-24	136-26241-00	3-23	146-11545-00
10-24	127-14161-00	12-15	137-13128-00	10-10	146-14142-25
10-12	127-14171-00	12-10	137-13137-00	6-29	160-18328-00
20-18	127-24535-00	12-11	137-13138-01	19-26	150-26249-00
24-36	127-25388-00	12-20	137-13165-00	25- 2	150-84153-00
28-12	127-81970-40	12-24	137-13165-00	8- 6	156-15618-01
23-27	128-25181-00	12-19	137-13167-00	20- 8	156-21766-00
23-28	128-25183-00	12-25	137-13167-00	18-24	156-23411-00
20- 6	129-24161-00	12-18	137-13169-00	18-27	156-23412-00
20- 4	129-24183-00	12- 4	137-13176-00	24-50	156-27237-00
4- 5	131-16321-00	12-22	137-13187-00	25-17	156-83525-00
3- 9	132-11634-00	10-33	137-14196-00	2- 3	164-15415-00
11- 6	132-14613-00	5-31	137-15643-00	4-25	164-15631-01
1-16	132-15351-00	4- 7	137-16333-00	3-18	164-16119-00
1-17	132-15353-00	4- 8	137-16337-01	6-12	164-18561-00
1-18	132-15371-00	4- 9	137-16356-00	21- 4	164-21775-01
8- 1	132-15611-01	3-18	137-16377-00	21- 3	164-21778-00
8- 4	132-15616-00	4-10	137-16377-00	18-25	164-23462-00
8- 5	132-15617-00	4-11	137-16378-00	21-10	164-24319-00
8-13	132-15664-00	21- 8	137-21767-00	28- 5	164-82131-00
8-12	132-15665-00	21- 9	137-21768-01	26- 6	164-84721-00
8-11	132-15676-00	21-14	137-21781-00	26- 5	164-84723-00
4-17	132-16345-00	19-25	137-26242-60	26- 9	164-84751-00-35
4-18	132-16346-00	19-27	137-26243-60	14-16	165-81145-21
5-14	132-17414-00	19-28	137-26261-01	13-17	165-81145-21
7-10	132-18113-01	19-37	137-26331-11	13- 6	166-81332-20
7- 2	132-18123-00	19-37	137-26331-30	10-29	167-14119-00
7- 3	132-18124-00	19- 2	137-82710-10	10-28	167-14121-00
7- 4	132-18133-00				

# NUMERICAL INDEX

Ref No.	arts No.	Ref No.	Parts No.	Ref No.	Parts No.
11-15	167-14719-00	26- 7	201-84724-00	16-12	209-27430-01
15- 9	167-22251-00	26- 0-1	202-84510-00	19-32	212-26311-00
19-38	169-26251-00	8- 2	205-15612-00	3-22	214-11557-01
25-19	173-84313-00	17-13	205-27117-00	12-23	214-13162-00
6- 9	174-18544-00	24-52	206-27238-00	12-26	214-13164-00
22- 2	174-24741-00	16-14	206-27436-00	11-11	214-14766-00
11-10	178-14766-00	28-19	206-82310-10	8- 3	214-15625-00
1-19	180-13554-00	28-19	206-82310-20	6-21	214-17812-00
2-12	180-15362-00	28-20	206-82312-01	21- 2	214-21761-00
8-16	180-15641-00	27- 6	206-83330-35	21-13	214-21772-00
8- 8	180-15660-00	27- 6	206-83340-35	25-16	214-83524-00
8-17	180-15687-00	16- 8	207-22331-00	11- 2	220-14753-11
15-14	180-21483-00	18-19	207-23112-00	11-12	220-14771-10
16- 6	180-22117-00	18-15	207-23116-00	15-17	220-21494-00
24-28	180-25381-00	18- 9	207-23117-00	21- 1	220-21705-01-62
17-11	180-27231-01	18- 4	207-23124-00	21- 1	220-21705-01-66
24-51	180-27236-00	18- 4-1	207-23134-00	15-19	220-21711-00-62
21-12	183-21770-11	18-10	207-23141-00	15-19	220-21711-00-66
18-28	183-23411-00	18- 3	207-23147-00	16- 1	220-22110-00-62
18-29	183-23412-00	18-14	207-23163-00	16- 1	220-22110-00-66
19- 1	183-26111-20	22- 9	207-24830-00	15-24	220-22210-20
27- 4	183-83313-20	20-10	207-24500-00	15- 6	220-22210-00-62
27- 9	183-83313-20	24-25	207-25411-00	15- 6	220-22210-00-66
27- 2	183-83332-20	19-33	207-26312-00	15- 7	220-22242-00
27- 7	183-83332-20	17- 1	207-27111-00-33	15- 8	220-22251-00
27- 3	183-83333-21	15-15	207-28100-00	28-13	220-81975-00
27- 8	183-83333-21	13- 2	207-81312-20	28- 6	220-83350-10
18-32	185-23435-00-35	14- 2	207-81312-10	25-14	237-83513-00
14- 6	185-81332-10	14- 3	207-81313-10	25- 6	241-84312-00
27- 5	185-83311-10	13- 3	207-81313-20	25- 1	241-84330-00-62
27-10	185-83311-10	14- 7	207-81321-10	25- 1	241-84330-00-66
25- 4	195-84315-01	14-11	207-81326-10	7- 9	248-18111-00
25- 3	195-84320-00	14-14	207-81331-10	3- 0-1	257-11400-01
25- 7	195-84324-00	14- 1	207-81350-10	3- 1	257-11412-01
25- 8	195-84325-00	21- 6	209-21724-00	3- 2	257-11422-00
18-11	196-23191-40	18-13	209-23122-40	3- 5	257-11681-00
5-30	201-15653-00	18-12	209-23142-40	12- 0-1	257-13101-00
26- 1	201-84711-00	18- 6	209-23150-40	19-39	257-13151-00
26- 8	201-84716-00	17-14	209-27118-00	12-27	257-13161-00
		17-16	209-27114-00		

# NUMERICAL INDEX

Ref No.	Parts No.	Ref No.	Parts No.	Ref No.	Parts No.
12- 2	257-13175-00	5- 3	257-17414-00	5-23	260-16164-00
12- 7	257-13177-00	5-16	257-17414-00	5- 7	260-17121-00
12- 6	257-13178-00	5-18	257-17414-00	5- 4	260-17131-00
3-14	257-13515-00	5-27	257-17461-40	5- 2	260-17141-00
1-20	257-13551-00	5-26	257-17462-00	5- 5	260-17151-00
10-32	257-14197-00	5-29	257-17463-00	5-20	260-17211-00
9- 1	257-14401-00-35	5-28	257-17464-00	5-13	260-17221-00
9- 8	257-14417-00	5- 9	257-17471-00	5-17	260-17231-00
9- 2	257-14451-00	7- 1	257-18101-00	5-19	260-17241-00
9- 7	257-14453-00	6- 3	257-18511-00	5-15	260-17251-00
9- 6	257-14454-00	6-23	257-18531-00	5- 1	260-17411-00
2-17	257-14481-00	6- 1	257-18534-00	5-12	260-17421-00
1- 2	257-15121-00	6- 4	257-18552-00	6-24	260-18512-00
5-11	257-15389-00	6-15	257-18589-00	6- 2	260-18513-00
2- 1	257-15410-00	14- 0-1	257-81300-10	6- 7	260-18541-00
2-14	257-15413-00	13- 0-1	257-81300-20		
4-24	257-15417-01	13- 1	257-81350-20		
2- 7	257-15421-00	1-13	260-11111-00		
2-18	257-15433-00	1-11	260-11311-00	6-17	260-18558-00
2- 8	257-15451-00	3- 7	260-11631-00-01	6-20	260-18587-00
2-15	257-15463-00	3- 7	260-11631-00-97	6-18	260-18598-00
8-18	257-15668-00	3- 7	260-11631-00-98	15- 1	260-21110-00-62
5-32	257-15651-00	3- 7	260-11631-00-99	15- 1	260-21110-00-66
3-16	257-16111-00	3- 7	260-11631-10	18-42	260-21610-00
3-15	257-16136-00	3- 7	260-11631-20	15- 2	260-21610-00
4- 1	257-16150-00	3-13	260-13512-00	15-22	260-21787-00
4-12	257-16181-00	10- 0-1	260-14101-00	16- 7	260-22311-00
4- 0-1	257-16301-00	10-17	260-14112-20	18- 0-1	260-23100-40-62
4- 4	257-16324-00	10-14	260-14114-00	18- 0-1	260-23100-40-66
4-21	257-16341-00	10- 5	260-14147-00	18-20	260-23111-40
4-16	257-16342-00	10-21	260-14158-00	18-16	260-23121-40-62
4-23	257-16343-00	11- 1	260-14610-10	18-16	260-23121-40-66
4- 6	257-16351-00	10- 6	260-14181-00	18- 1	260-23126-40-35
4-15	257-16357-00	10- 4	260-14184-00	18-17	260-23131-40-62
4- 3	257-16371-00	10- 3	260-14185-00	18-17	260-23131-40-66
5-21	257-17219-00-04	10-11	260-14190-12	18- 2	260-23136-40-35
5-21	257-17219-00-06	11- 7	260-14718-10	18-48	260-23318-40
5-21	257-17219-00-08	1- 1	260-15111-00	18-21	260-23340-40-33
		8- 0-1	260-15610-00	18-46	260-23480-00

# NUMERICAL INDEX

Ref No.	Parts No.	Ref No.	Parts No.	Ref No.	Parts No.
20- 1	260-24110-00-01	24-49	91401-30012	9- 5	92802-06700
20- 1	260-24110-00-02	10-15	91401-12008	15-10	92804-10700
22- 8	260-24730-00	12-16	91401-12018	10-22	92901-04100
22- 8-1	260-24731-00	6- 6	91401-25017	13- 5	92901-04100
22- 1-1	260-24771-00	2- 2	91810-03014	13- 9	92901-04100
24- 1	260-24770-00-01	2- 9	91810-03014	13-14	92901-04100
22- 1	260-24770-00-02	1- 3	91810-08016	13-18	92901-04100
22- 7	260-24786-00	11- 8	91903-06008	14- 5	92901-04100
22- 7	260-24786-10	28-16	92501-06008	14- 9	92901-04100
19-32	260-26311-20	6-22	92501-06010	14-13	92901-04100
19-34	260-26321-00	28-10	92501-06010	14-17	92901-04100
19-36	260-26335-10	5-10	92501-06012	26- 3	92901-04100
19-36	260-26335-20	19-29	92501-06012	28-15	92901-04100
19-35	260-26341-10	28- 7	92501-06012	13-10	92901-04200
17- 3	260-27211-00	1-25	92501-06015	14-10	92901-04200
17- 7	260-27411-00-33	2-16	92501-06018	13-15	92901-04200
28- 9	260-82510-20	10- 7	92501-06018	6-14	92901-05100
28- 9-1	260-82511-00	1- 4	92501-06030	11- 4	92901-05100
28-33	260-82590-20	2-10	92501-06030	12-12	92901-05100
27- 1	260-83310-35	2- 6	92501-06040	16-10	92901-05100
28-23	260-83371-10	2-11	92501-06040	19- 5	92901-05100
25-11	260-83510-10	1- 5	92501-06045	19-18	92901-05100
25-11	260-83516-30	2- 5	92501-06045	28-22	92901-05100
25-15	260-83519-00-35	1- 6	92501-06050	28-30	92901-05100
25-13	260-83520-10	1- 7	92501-06060	15- 5	92901-06100
25-18	260-83550-00	1- 8	92501-06065	18-38	92901-06100
25- 0-1	260-84110-00	1-26	92701-06018	19-30	92901-06100
19-23	266-26290-00	1-14	92801-06200	23-19	92901-06100
19-41	266-26290-10	23-18	92801-06100	24-21	92901-06100
15- 3	91101-06015	24-20	92801-06100	24-40	92901-06100
8- 7	91101-06020	24-39	92801-06100	26-12	92901-06100
18-37	91104-06035	26-11	92801-06100	28- 8	92901-06100
26-10	91201-06012	28-17	92801-06100	28-11	92901-06100
28-24	91201-06015	4-22	92801-06300	28-18	92901-06100
7-11	91201-06020	16- 4	92801-10100	28-25	92901-06100
23-17	91201-06030	23-29	92801-10100	1-15	92901-06200
24-19	91201-06030	23-38	92801-10100	15- 4	92901-06200
9- 4	91201-06087	18-39	92802-10100	19-13	92901-06200
22- 3	91202-06012				
11- 9	91903-06010				
17-17	91401-20012				

# NUMERICAL INDEX

Ref No.	Parts No.	Ref No.	Parts No.	Ref No.	Parts No.
19-31	92901-06200	24-12	93210-41041	23- 3	94412-17002
23-20	92901-06200	24-32	93306-00406	24- 3	94414-17003
24-22	92901-06200	23- 8	93306-20204	24-54	94504-20096
24-41	92901-06200	5- 8	93306-20301	24-54-1	94604-20001
24-53	92901-06200	3-24	93306-20408	28-27	94700-00006
9-13	92901-08100	24- 9	93306-30101	9-11	97101-08080
11-14	92901-08100	24-11	93306-30103	9-10	97101-08095
15-18	92901-08100	3-11	93306-30302	15-16	97101-08120
17-10	92901-08100	5-24	93306-30305	17- 9	97201-08015
17-15	92901-08100	3- 6	93310-11202	11-13	97201-08018
24-46	92901-08100	3- 4	93310-41810	18-43	97202-08012
27-12	92901-08100	5- 6	93410-13004	25- 9	97203-08018
22- 5	92901-08200	5-22	93410-13004	2- 4	98501-04008
24-48	92901-08200	5-33	93410-13004	9- 9	98501-04008
11-16	92901-10100	8-10	93410-15005	12-21	98501-04008
18-23	92901-10100	8-14	93410-25017	20- 7	98501-04008
3-21	92901-12100	24-33	93420-42007	28-14	98501-04008
22- 4	92902-06200	6-10	93430-03014	10-23	98501-04010
18-44	92902-08100	6-28	93430-08006	26- 2	98501-04010
18-41	92902-10100	7- 8	93430-10016	11- 3	98501-05008
18-40	92902-10200	17- 4	93430-12008	28-29	98501-05012
12- 5	93101-10001	12- 8	93440-08001	6-13	98501-05012
12-14	93101-10001	6- 8	93440-32017	12- 9	98501-05015
7- 6	93101-12004	4-14	93501-04004	16- 9	98501-05020
3-12	93102-20009	18-26	93501-04004	19- 3	98501-05020
5-25	93102-25017	4-20	93503-16003	19-16	98501-05020
1-21	93102-28012	6-16	93505-16006	28-21	98501-05020
23-23	93104-07003	12-17	93505-32002	19- 4	98501-05025
24-10	93104-21016	3-19	93603-08067	19-17	98501-05025
23- 9	93106-20001	12- 3	93603-22028	19- 7	98503-05025
24-34	93106-30004	1-24	93604-14012	19-20	98503-05025
23-10	93107-42001	6-11	93604-22050	18-47	98601-05012
4-19	93108-15001	23-26	93700-06001	14-18	98701-05015
8- 9	93109-15001	23- 4	94122-17008	13-19	98701-05015
6-19	93210-10118	24- 4	94125-17012	19- 9	98801-05100
1-22	93210-12014	23- 5	94222-17003	19-22	98801-05100
23-24	93210-13017	24- 5	94225-17005	21- 5	98801-05100
1-23	93210-23029	23- 6	94322-17002	10-31	98801-05200
		24- 6	94325-17004		

# NUMERICAL INDEX

Ref No.	Parts No.	Ref No.	Parts No.	Ref No.	Parts No.
12-13	98801-05200				
7- 5	98801-08100				
9-12	98801-08100				
24-26	98801-08200				
24-45	98801-08300				
25-10	98801-08300				
27-11	98801-08300				
3-20	98801-12200				
19-40	98502-05008				
22- 6	98802-08100				





---

---

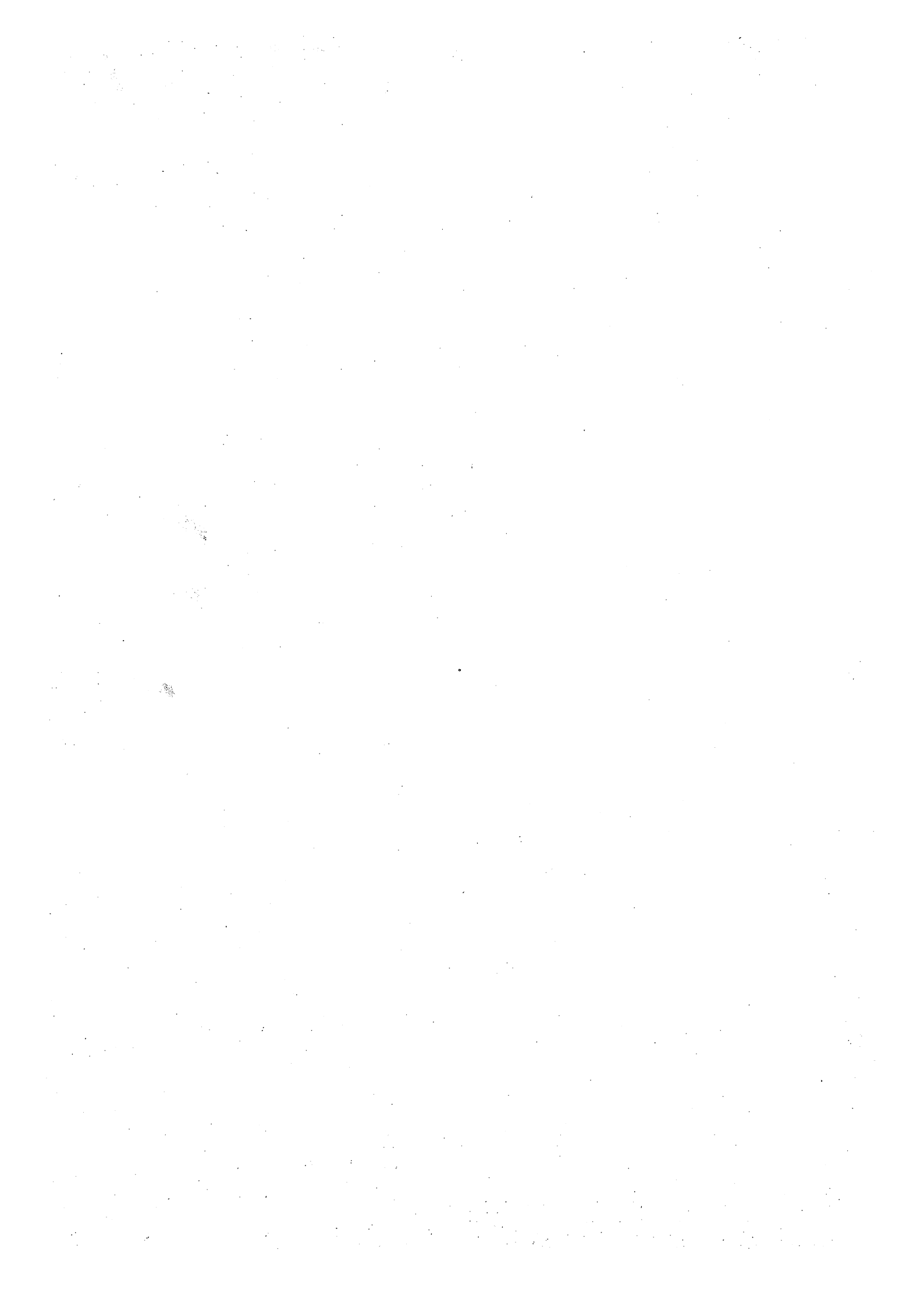
2ND edition, Jun., '69

**YAMAHA FS1**  
**PARTS LIST**

**YAMAHA MOTOR CO., LTD.**  
HAMAKITA JAPAN

---

---



NEIL NEILSON LTD.  
280A DEE ST. INVERCARGILL

# MODEL FS1

This Parts List is for the exclusive parts for the FS1 ('71 Model).

Please refer to FS1 Parts List for the parts not listed in this publication.

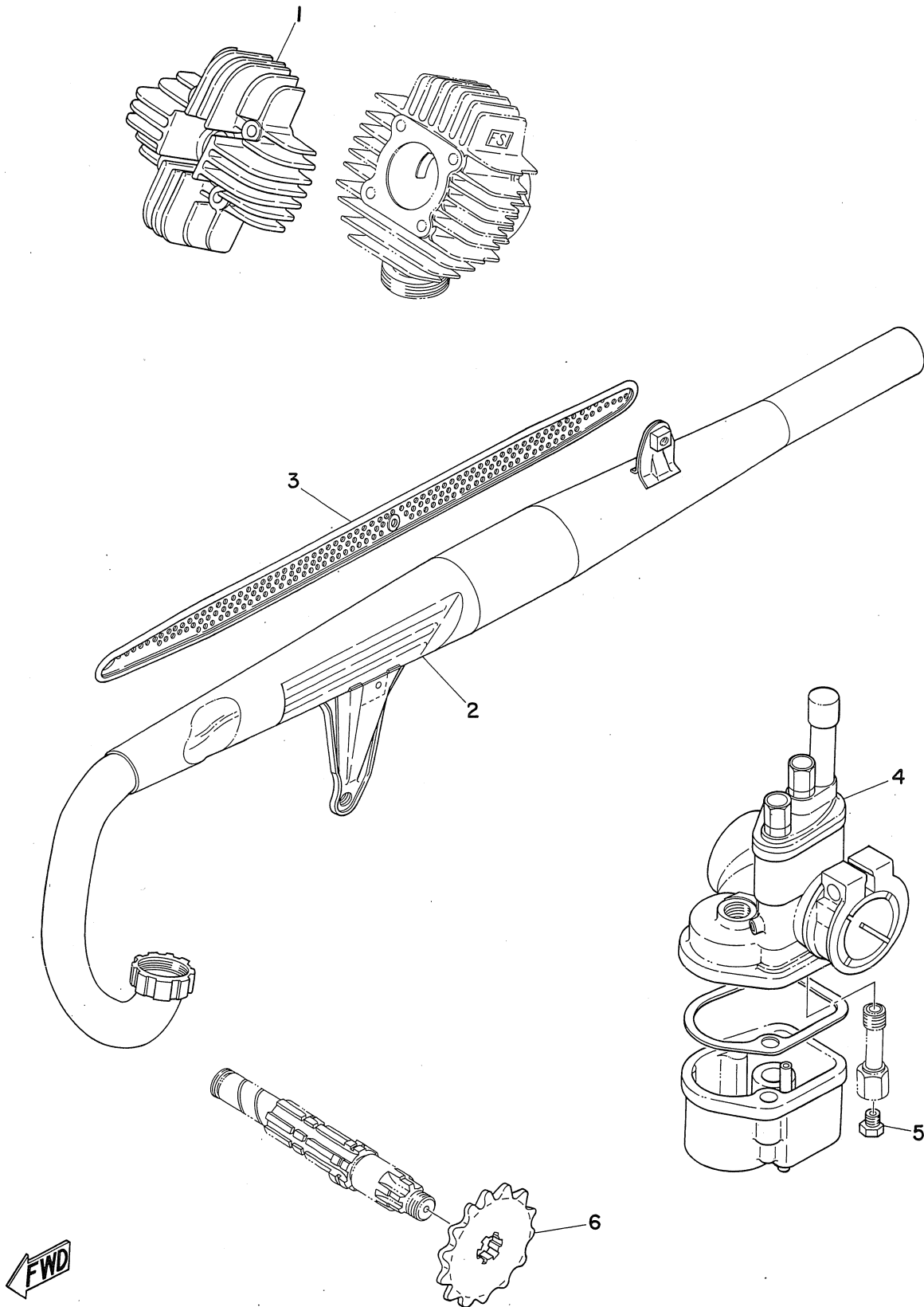


# CONTENTS

Fig. 1	Engine	.....	1
Fig. 2	Frame 1	.....	3
Fig. 3	Frame 2 & Head Lamp	.....	5

## NUMERICAL INDEX

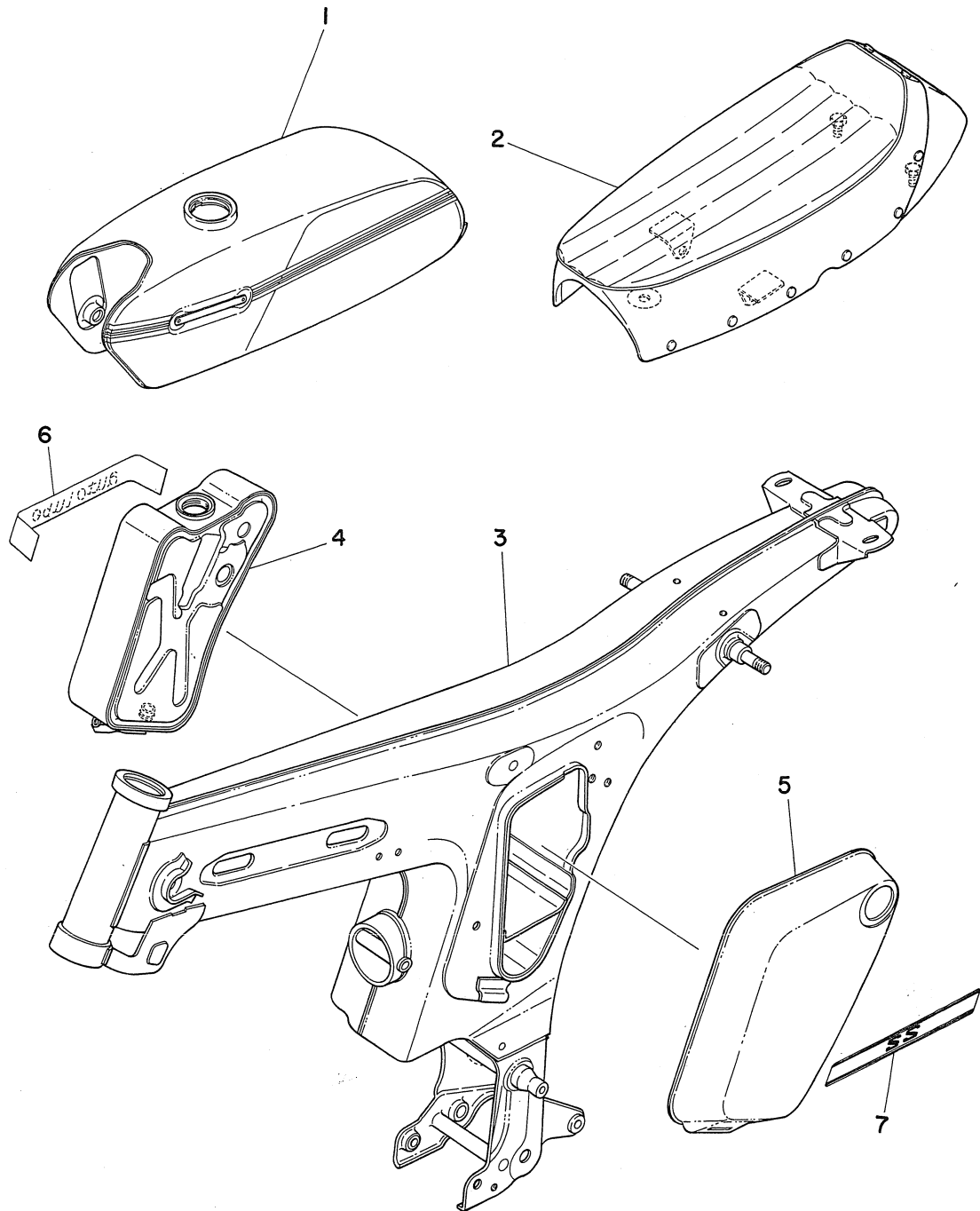
Fig. 1 ENGINE



# ENGINE

Ref. No.	Part No.	Description	Q'ty	Applicable Machine No.	Remarks
1- 1	260-11111-02	HEAD, cylinder .....	1		
1- 2	260-14610-12	EXHAUST PIPE ASS'Y .....	1		
1- 3	260-14718-11	PROTECTOR, muffler .....	1		
1- 4	260-14101-00	CARBURETOR ASS'Y .....	1		
1- 5	127-14143-32	. JET, main (#160) .....	1		
1- 6	257-17461-50	SPROCKET, drive (15T) .....	1		

Fig. 2 FRAME 1



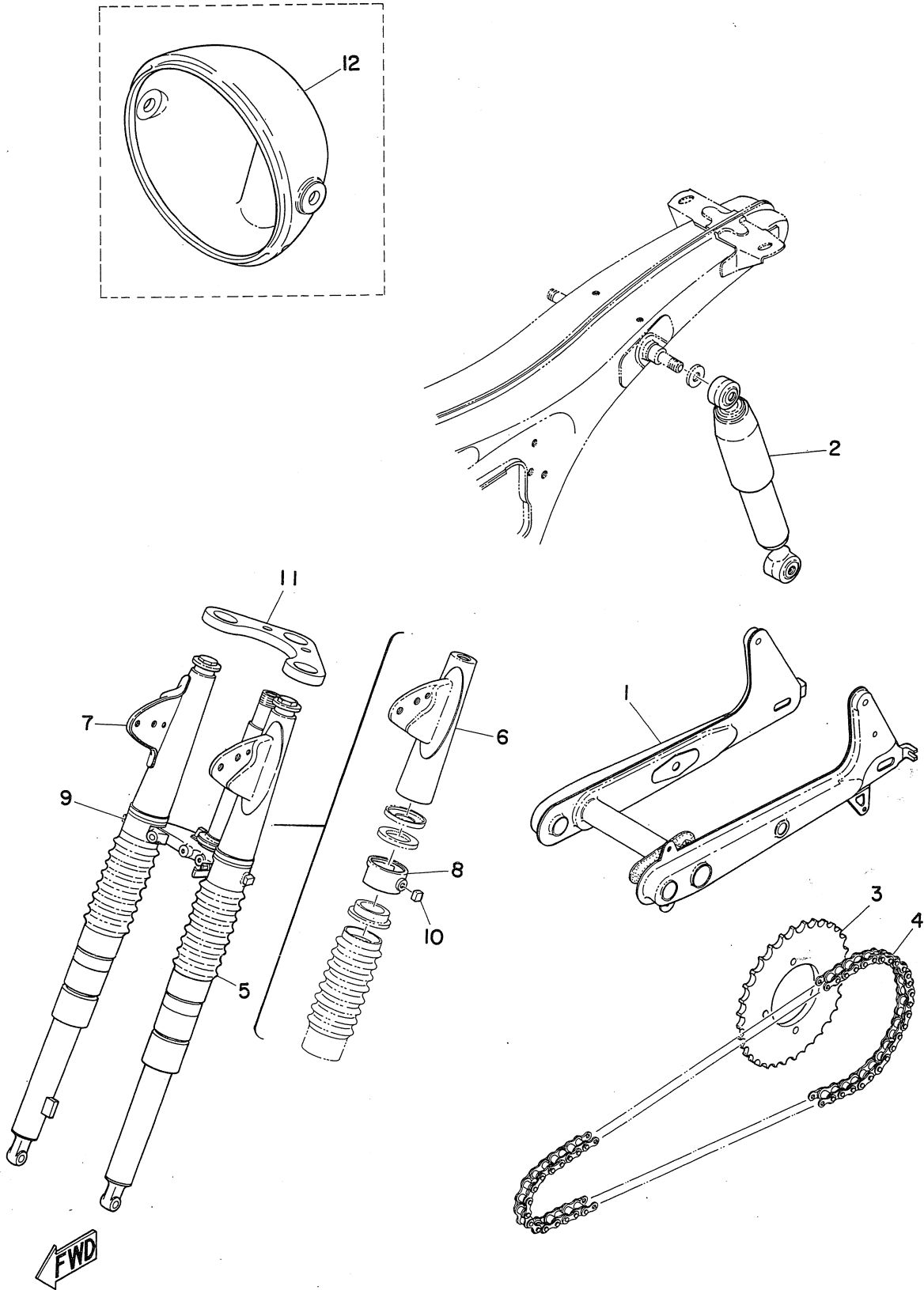
FWD



# FRAME 1

Ref. No.	Part No.	Description	Q'ty	Applicable Machine No.	Remarks
2- 1	260-24110-00-03	FUEL TANK COMP. ....	1		Mandarin Orange
	260-24110-00-04	FUEL TANK COMP. ....	1		Marine Blue
2- 2	260-24770-00-71	SEMI-DOUBLE SEAT ASS'Y .....	1		Mandarin Orange
	260-24770-00-75	SEMI-DOUBLE SEAT ASS'Y .....	1		Marine Blue
2- 3	260-21110-00-33	FRAME COMP. ....	1		
2- 4	220-21705-01-71	OIL TANK ASS'Y .....	1		Mandarin Orange
	220-21705-01-75	OIL TANK ASS'Y .....	1		Marine Blue
2- 5	220-21711-00-71	COVER, side .....	1		Mandarin Orange
	220-21711-00-75	COVER, side .....	1		Marine Blue
2- 6	260-21781-00	EMBLEM, autolube .....	1		
2- 7	260-21787-01	EMBLEM .....	1		

Fig. 3 FRAME 2 & HEAD LAMP



## FRAME 2 & HEAD LAMP

Ref. No.	Part No.	Description	Q'ty	Applicable Machine No.	Remarks
3- 1	220-22110-00-33	REAR ARM COMP. ....	1		
3- 2	220-22210-00-71	REAR CUSHION ASS'Y .....	2		Mandarin Orange
	220-22210-00-75	REAR CUSHION ASS'Y .....	2		Marine Blue
3- 3	122-25441-11	GEAR, sprocket wheel (41T) ....	1		
3- 4	94504-20098	CHAIN .....	1		
3- 5	260-23110-90-02	FRONT FORK ASS'Y .....	1		Mandarin Orange
	260-23110-90-03	FRONT FORK ASS'Y .....	1		Marine Blue
3- 6	260-23121-40-71	. COVER, upper left .....	1		Mandarin Orange
	260-23121-40-75	. COVER, upper left .....	1		Marine Blue
3- 7	260-23131-40-71	. COVER, upper right .....	1		Mandarin Orange
	260-23131-40-75	. COVER, upper right .....	1		Marine Blue
3- 8	232-23122-60	. COVER, outer left .....	1		
3- 9	232-23132-60	. COVER, outer right .....	1		
3-10	256-83329-00	PLUG, blind .....	2		
3-11	185-23435-00	CROWN, handle .....	1		
3-12	241-84330-00-71	BODY ASS'Y .....	1		Mandarin Orange
	241-84330-00-75	BODY ASS'Y .....	1		Marine Blue



# NUMERICAL INDEX

Ref. No.	Parts No.	Ref. No.	Parts No.	Ref. No.	Parts No.
3- 3	122-25441-11				
1- 5	127-14143-32				
3-11	185-23435-00				
2- 4	220-21705-01-71				
2- 4	220-21705-01-75				
2- 5	220-21711-00-71				
2- 5	220-21711-00-75				
3- 1	220-22110-00-33				
3- 2	220-22210-00-71				
3- 2	220-22210-00-75				
3- 8	232-23122-60				
3- 9	232-23132-60				
3-12	241-84330-00-71				
3-12	241-84330-00-75				
3-10	256-83329-00				
1- 6	257-17461-50				
1- 1	260-11111-02				
1- 4	260-14101-00				
1- 2	260-14610-12				
1- 3	260-14718-11				
2- 3	260-21110-00-33				
2- 6	260-21781-00				
2- 7	260-21787-01				
3- 5	260-23110-90-02				
3- 5	260-23110-90-03				
3- 6	260-23121-40-71				
3- 6	260-23121-40-75				
3- 7	260-23131-40-71				
3- 7	260-23131-40-75				
2- 1	260-24110-00-03				
2- 1	260-24110-00-04				
2- 2	260-24770-00-71				
2- 2	260-24770-00-75				
3- 4	94504-20098				



**YAMAHA MOTOR CO., LTD.**

**PRINTED IN JAPAN**  
**First edition, Aug., 1970**