

**YAMAHA**

**PARTS LIST**

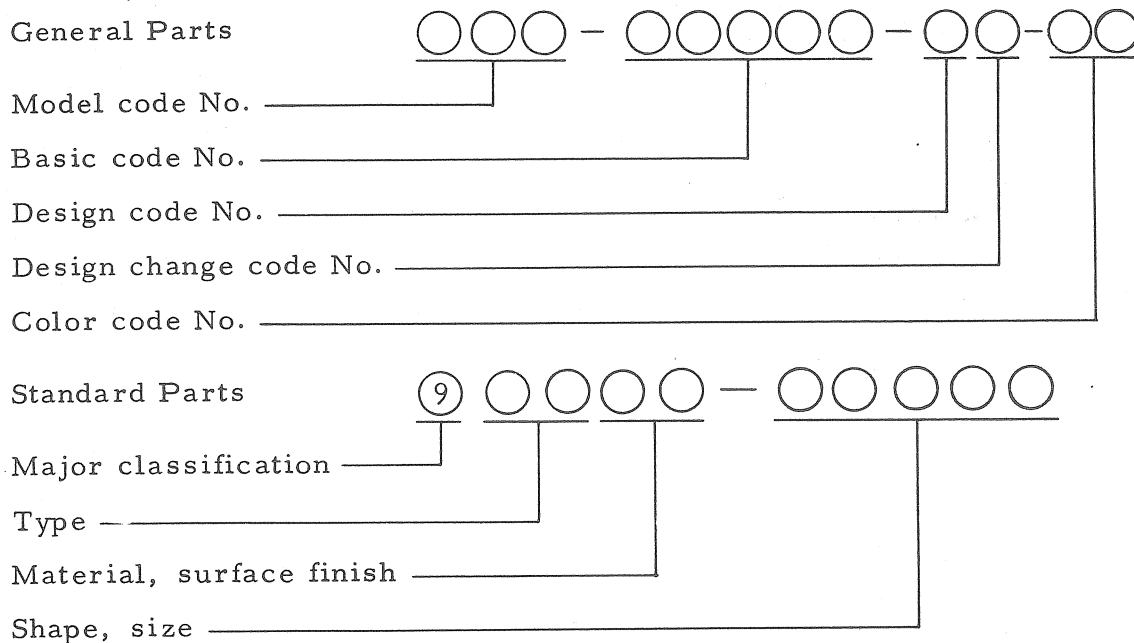
**MODEL FS1K**

## FOREWORD

This Parts List relates to the parts in use for the Yamaha FS1-K. When you are ordering replacement parts for the FS1-K, refer to this Parts List and quote both part numbers and part names correctly.

### 1. Structure of Part No.

Yamaha parts are divided largely into two categories; general parts and standard parts, and each part No. has the following structure:



Note: Every standard No. begins with 9.

### 2. How to Use this Parts List

- (1) Except for steel balls (whose size is indicated in inches), the size of all parts is indicated in millimeters in the following manner.

Pipe (rubber or vinyl) . . . . Inside diameter - length

O-ring . . . . . Section area - inside diameter

Washer, shim, collar . . . . Inside diameter - outside diameter - thickness (length)

- (2) Parts, which are to be supplied in the form of assemblies, are listed with an indentation of one letter's space, and a dot (.) is put

against the name of each part. If any two different assemblies (e.g., right and left side components) consist of almost the same type components, these two assemblies are listed in two lines, and then the names of component parts are listed in the subsequent lines with an indentation as mentioned earlier. The quantity of parts is given in the following manner; that is, in the case of parts being the same in type between the right and left, a total quantity of parts is given. On the other hand, if the right and left side parts are different in type, the quantity of part(s) on each side is given.

Example

Description	Q'ty
CARBURETOR ASS'Y, left	1
CARBURETOR ASS'Y, right	1
. JET, pilot	2
. NOZZLE, main	2
:	
:	
:	
. LEVER, starter, left	1
. LEVER, starter, right	1

(3) Key to Symbols

U. R.	.....	Use size (thickness) and/or number as required
T	.....	Number of teeth in a gear
V	.....	Voltage for light bulbs
S	.....	"S" type oil seal or "S" type circlip
SD	.....	"SD" type oil seal
SO	.....	"SO" type oil seal
SW	.....	"SW" type oil seal
E	.....	"E" type circlip
R	.....	"R" type circlip

- (4) The right and left in relation to parts are determined on the basis of the rider facing toward the front.
- (5) This Parts List is based on the model in the production line on Nov. 1, 1971. Accordingly, if any modifications which have been made to parts will be announced in the Yamaha Parts News. It is advisable that according to the Yamaha Parts News, You will make necessary corrections to the Parts List on hand to keep it up-to-dated.

# CONTENTS

## ENGINE

Fig. 1	Crankcase · Cylinder	1
Fig. 2	Crankcase Cover	5
Fig. 3	Crank · Piston	9
Fig. 4	Clutch	13
Fig. 5	Transmission	17
Fig. 6	Shifter A	21
Fig. 7	Shifter B	23
Fig. 8	Starter	25
Fig. 9	Intake	27
Fig. 10	Carburetor	29
Fig. 11	Exhaust	33
Fig. 12	Flywheel Magneto (MITSUBISHI)	35
Fig. 13	Flywheel Magneto (HITACHI)	37

## CHASSIS

Fig. 14	Frame · Side Cover	41
Fig. 15	Rear Arm · Rear Cushion · Chaincase	43
Fig. 16	Stand · Footrest · Brake Pedal	45
Fig. 17	Front Fender · Rear Fender	47
Fig. 18	Front Fork	49
Fig. 19	Steering	53
Fig. 20	Handle · Wire	55
Fig. 21	Fuel Tank	59
Fig. 22	Seat	61
Fig. 23	Front Wheel	63
Fig. 24	Rear Wheel	67
Fig. 25	Head Lamp · Speedometer	73
Fig. 26	Tail Lamp	75

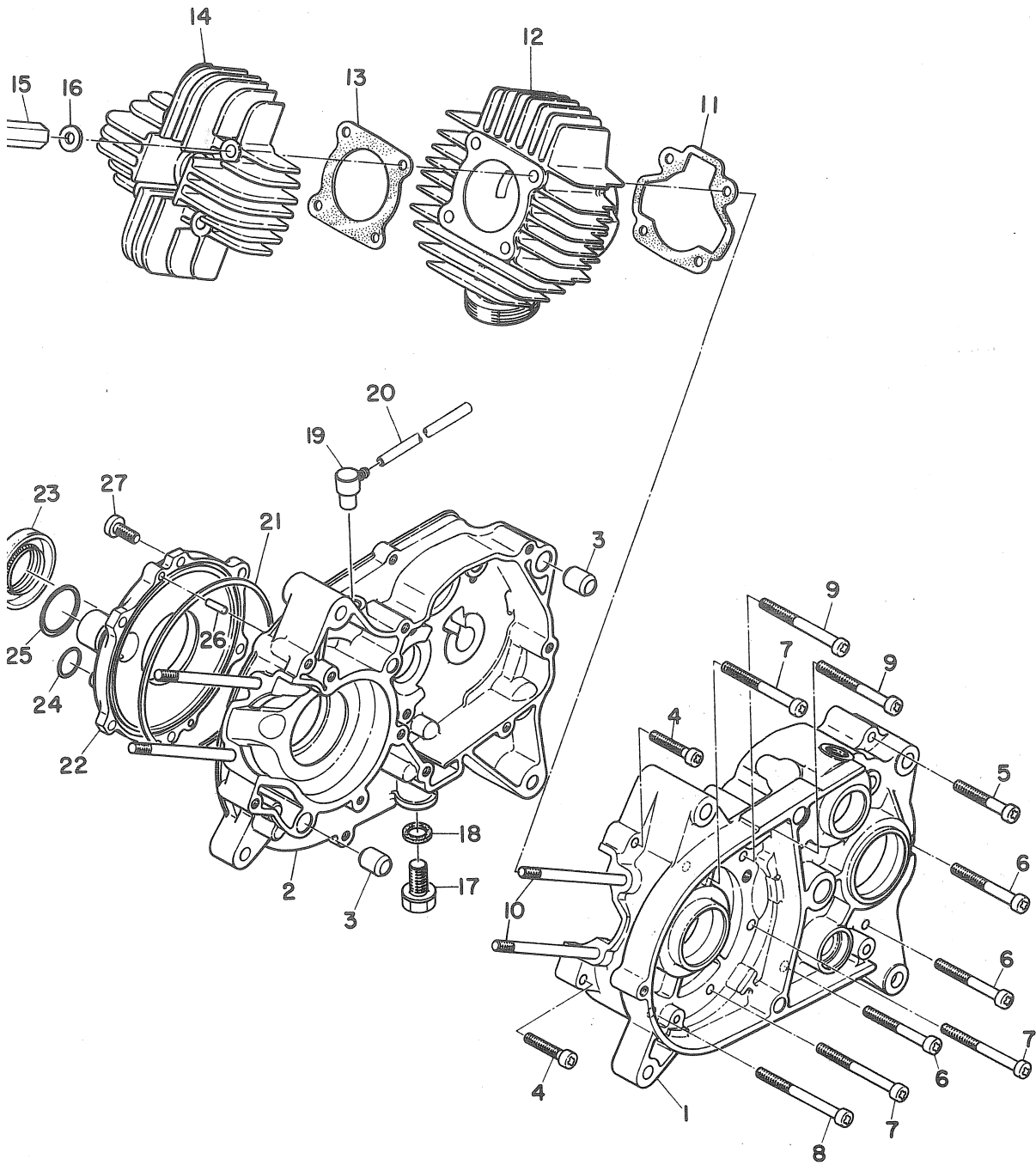
Fig. 27 Electrical ..... 77

## ALTERNATE PARTS

Fig. 28 Flasher Lamp ..... 83

## NUMERICAL INDEX

Fig. 1 CRANKCASE · CYLINDER

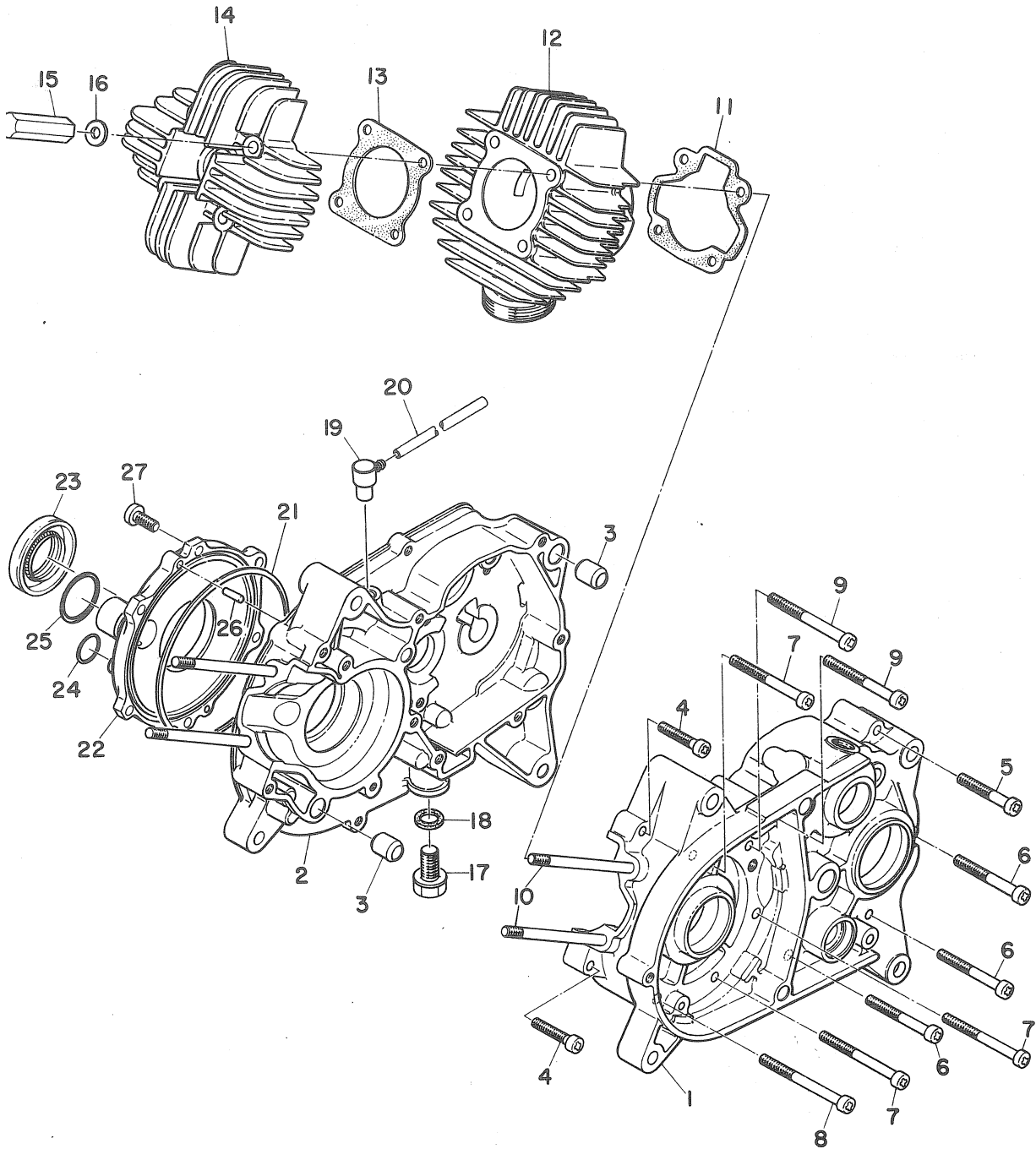


## CRANKCASE · CYLINDER

Ref. No.	Parts No.	Description	Q'ty	Applicable Machine No.	Rem
1- 1	257-15111-01	CASE, crank left .....	1		
1- 2	257-15121-01	CASE, crank right .....	1		
1- 3	91810-05016	PIN, dowel (8.4-12-16) .....	2		
1- 4	92501-06030	SCREW, panhead .....	2		
1- 5	92501-06045	SCREW, panhead .....	1		
1- 6	92501-06050	SCREW, pan head .....	3		
1- 7	92501-06060	SCREW, panhead .....	3		
1- 8	92501-06065	SCREW, pan head .....	1		
1- 9	92501-06055	SCREW, panhead .....	2		
1-10	109-11361-00	BOLT, cylinder holding .....	4		
1-11	109-11351-00	GASKET, cylinder .....	1		
1-12	257-11311-00	CYLINDER .....	1		
1-13	102-11181-01	GASKET, cylinder head .....	1		
1-14	257-11111-01-94	HEAD, cylinder .....	1		
1-15	126-11171-60	NUT, cylinder holding .....	4		
1-16	92901-06200	WASHER, plain .....	4		
1-17	132-15351-00	PLUG, drain .....	1		
1-18	132-15353-00	GASKET, drain plug .....	1		
1-19	120-15371-00	BREATHER .....	1		
1-20	304-15373-00	PIPE, breather (5-200) .....	1		
1-21	180-13554-00	RING, rubber .....	1		
1-22	347-13551-00	COVER, valve .....	1		
1-23	93103-28012	OIL SEAL (SW-28-47-8) .....	1		



Fig. 1 CRANKCASE · CYLINDER

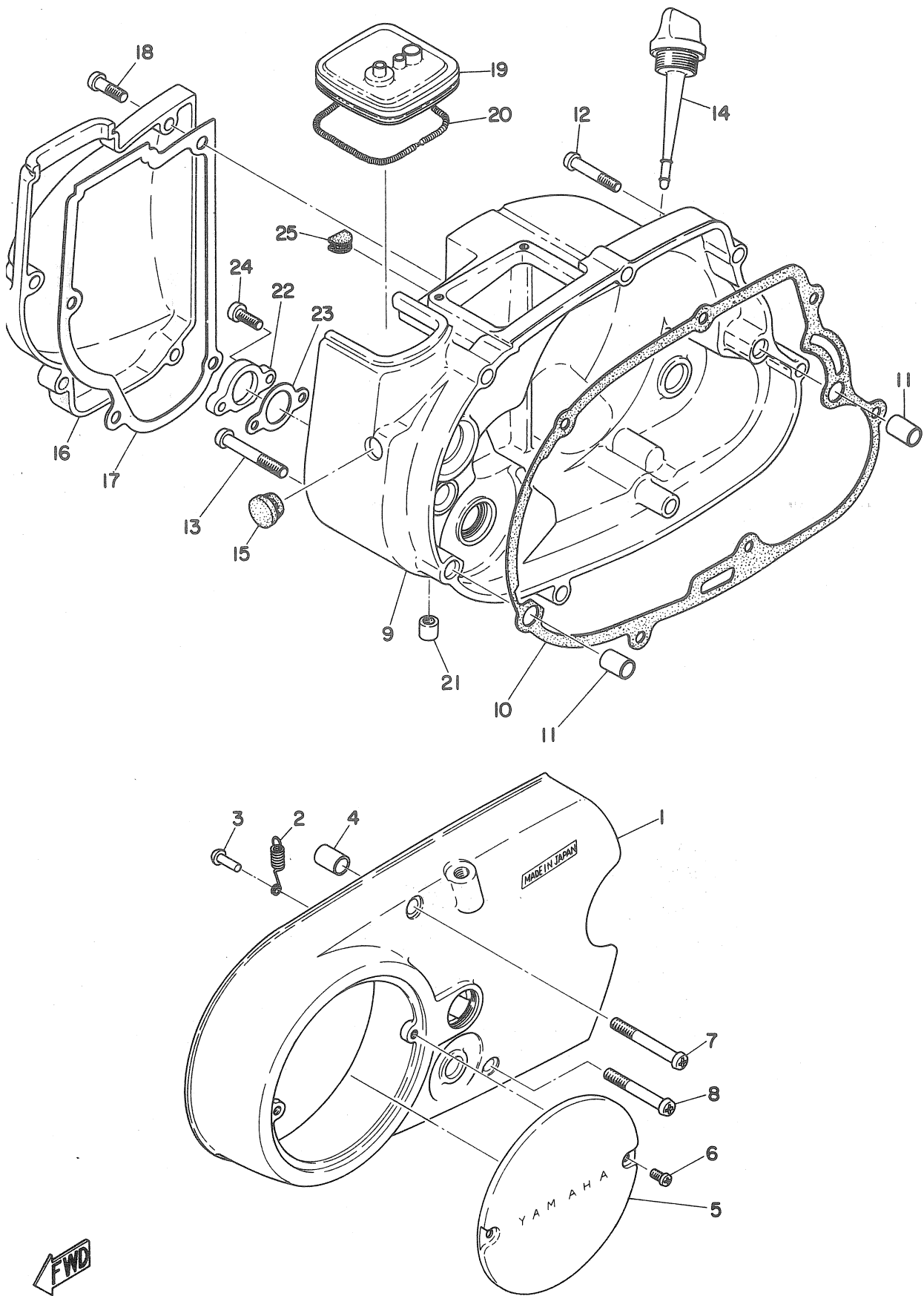


FWD

## CYLINDER · CRANKCASE

Ref. No.	Parts No.	Description	Q'ty	Applicable Machine No.	Remarks
1-24	93210-12014	O-RING (2.62-10.77) .....	1		
1-25	93210-23029	O-RING (3.52-21.82) .....	1		
1-26	93604-14012	PIN, dowel (4-13.8) .....	2		
1-27	92501-06015	SCREW, panhead .....	6		

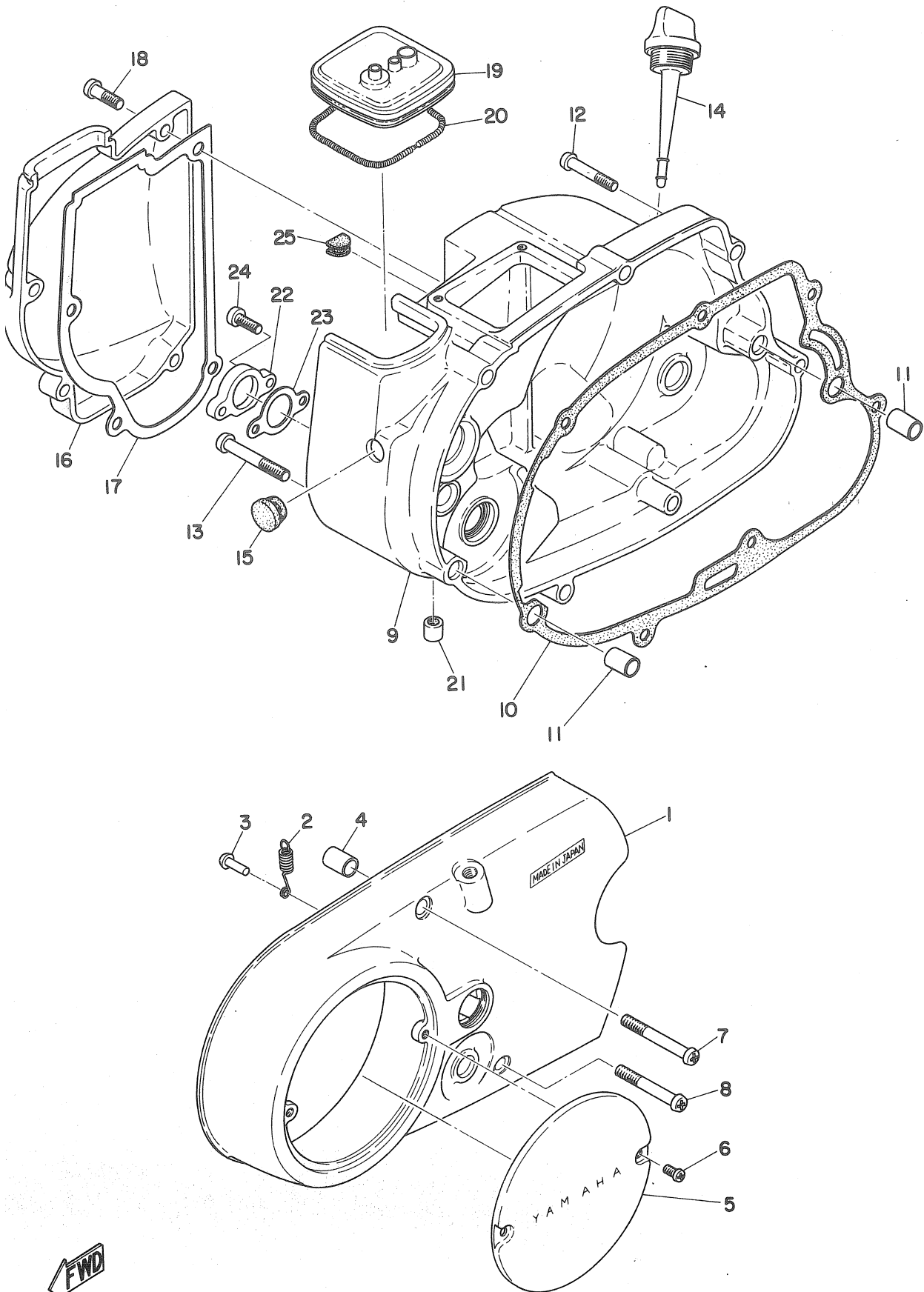
Fig. 2 CRANKCASE COVER



## CRANKCASE COVER

Ref. No.	Parts No.	Description	Q'ty	Applicable Machine No.	Rema
2- 1	257-15410-01	CRANKCASE COVER ASS'Y, left	1		
2- 2	257-16345-00	. SPRING, lever return .....	1		
2- 3	132-16346-00	. HOOK, spring .....	1		
2- 4	91810-02015	PIN, dowel (6.4-10-15) .....	2		
2- 5	164-15415-00	COVER, generator .....	1		
2- 6	98501-04008	SCREW, panhead .....	2		
2- 7	92501-06045	SCREW, panhead .....	2		
2- 8	92501-06040	SCREW, panhead .....	1		
2- 9	257-15421-01	COVER, crankcase right .....	1		
2-10	257-15451-00	GASKET, crankcase cover .....	1		
2-11	91810-02015	PIN, dowel (6.4-10-15) .....	2		
2-12	92501-06030	SCREW, panhead .....	6		
2-13	92501-06040	SCREW, panhead .....	1		
2-14	315-15362-00	PLUG, oil level .....	1		
2-15	122-15486-00	GROMMET .....	1		
2-16	257-15413-00	COVER, carburetor .....	1		
2-17	257-15463-00	GASKET, carburetor cover .....	1		
2-18	92501-06018	SCREW, panhead .....	4		
2-19	288-14481-01	CAP, carburetor .....	1		
2-20	288-14455-00	BAND .....	1		
2-21	257-15433-00	CLEANER, drain .....	1		
2-22	161-15426-00	COVER, oil pump .....	1		

Fig. 2 CRANKCASE COVER



## CRANKCASE COVER

Ref. No.	Parts No.	Description	Q'ty	Applicable Machine No.	Ref
2-23	126-13116-00	GASKET, pump case .....	1		
2-24	98501-05015	SCREW, panhead .....	2		
2-25	129-15489-10	GROMMET, pump wire .....	1		

## CRANK · PISTON

Ref. No.	Parts No.	Description	Q'ty	Applicable Machine No.	Remark
3- 0-1	257-11400-01	CRANK ASS'Y .....	1		
3- 1	257-11412-01	. CRANK, left .....	1		
3- 2	257-11422-00	. CRANK, right .....	1		
3- 3	126-11651-00	. ROD, connecting .....	1		
3- 4	93310-41810	. BEARING, con-rod big end .....	1		
3- 5	257-11681-00	. PIN, crank .....	1		
3- 6	93310-11202	BEARING, con-rod small end .....	1		
3- 7	109-11631-02-97	PISTON (39.97mm) .....	} U.R 1		
	109-11631-02-98	PISTON (39.98mm) .....			
	109-11631-02-99	PISTON (39.99mm) .....			
	109-11631-02-01	PISTON (40.01mm) .....			
	109-11635-12	PISTON (1st O.S) (40.25mm) .....	1		Alternate p
	109-11636-22	PISTON (2nd O.S) (40.50mm) .....	1		Alternate p
3- 8	102-11633-01	PIN, piston .....	1		
3- 9	132-11634-00	CLIP, piston pin .....	2		
3-10	290-11601-00	PISTON RING SET .....	1s		
	290-11601-10	PISTON RING SET (1st O.S) .....	1s		Alternate p
	290-11601-20	PISTON RING SET (2nd O.S) .....	1s		Alternate p
3-11	93306-30302	BEARING (6303C3) .....	1		
3-12	93102-20009	OIL SEAL (SD-20-35-7) .....	1		
3-13	283-13512-00	VALVE .....	1		
3-14	257-13515-00	COLLAR, valve .....	1		
3-15	257-16136-00	COLLAR, distance .....	1		
3-16	257-16111-00	GEAR, primary drive (19T) .....	1		

Fig. 3 CRANK · PISTON

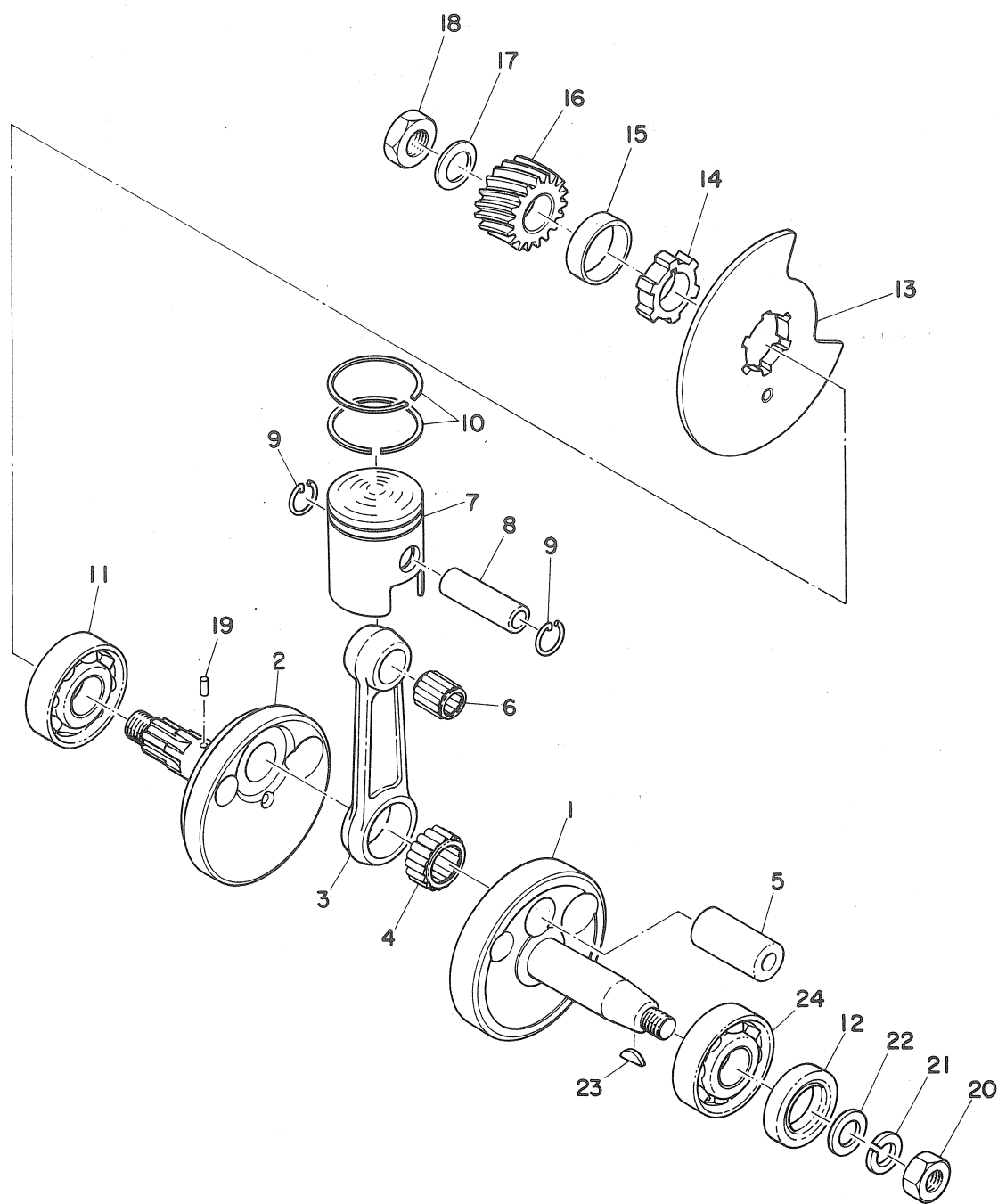
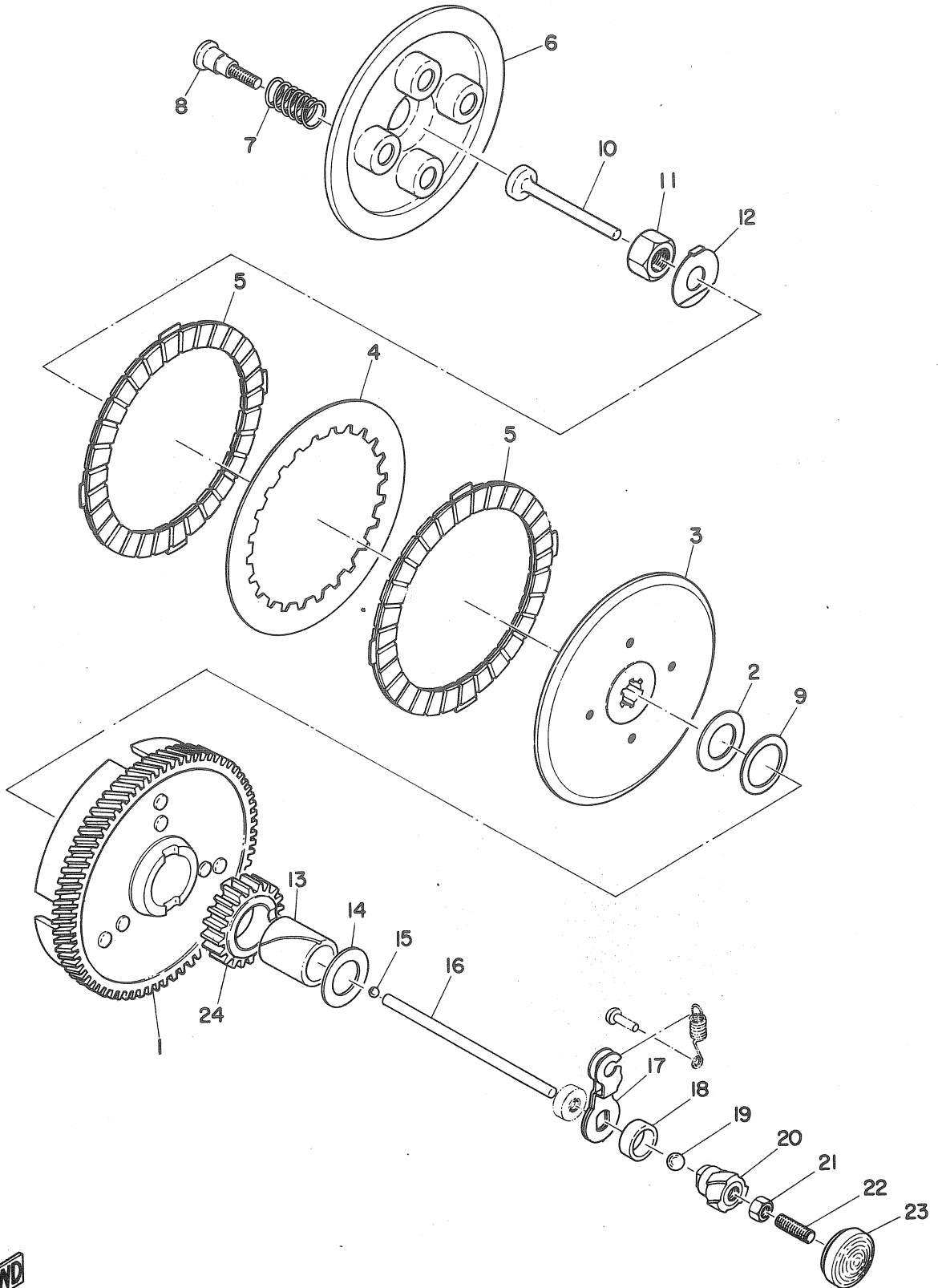




Fig. 4 CLUTCH

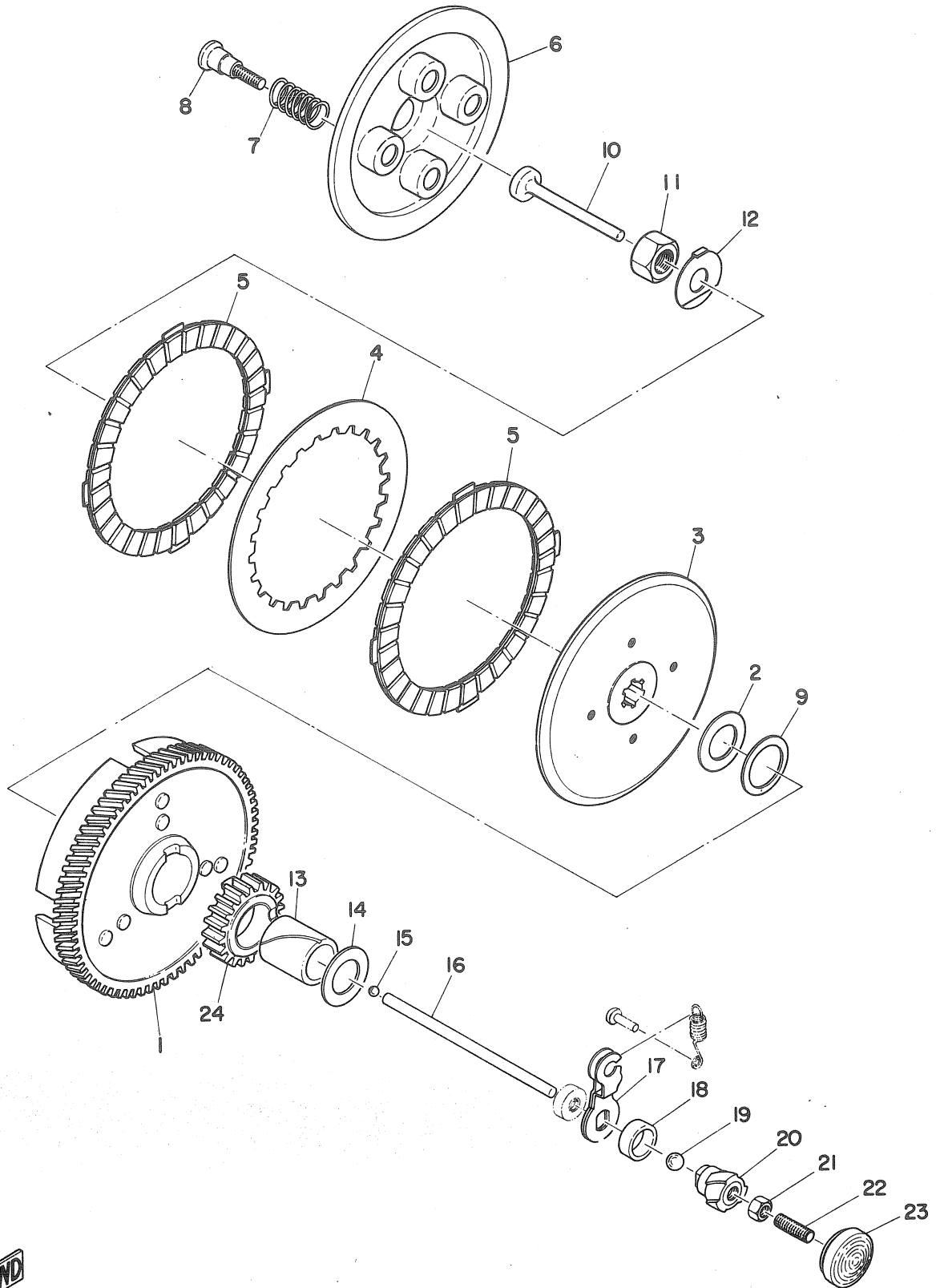


FWD

# CLUTCH

Ref. No.	Parts No.	Description	Q'ty	Applicable Machine No.	Remark
4- 0-1	257-16301-00	CLUTCH ASS'Y .....	1		
4- 1	257-16150-00	. PRIMARY DRIVEN GEAR COMP. (74T) .....	1		
4- 2	122-16164-00	. PLATE, thrust (17.2-30-2) .....	1		
4- 3	257-16371-00	. BOSS, clutch .....	1		
4- 4	257-16324-00	. PLATE, clutch .....	1		
4- 5	131-16321-00	. PLATE, friction .....	2		
4- 6	257-16351-00	. PLATE, pressure .....	1		
4- 7	137-16333-00	. SPRING, clutch .....	4		
4- 8	137-16337-01	. SCREW, spring .....	4		
4- 9	116-16153-00	. WASHER, thrust (23-30-1.5) ...	1		
4-10	137-16356-00	ROD, push 1 .....	1		
4-11	137-16377-00	NUT, clutch boss .....	1		
4-12	137-16378-00	WASHER, clutch boss .....	1		
4-13	257-16181-00	SPACER .....	1		
4-14	122-16164-00	PLATE, thrust (17.2-30-2) .....	1		
4-15	93501-04011	BALL (1/4 inch) .....	1		
4-16	257-16357-00	ROD, push 2 .....	1		
4-17	257-16342-00	LEVER, push .....	1		
4-18	93108-15001	OIL SEAL (OSO-15.3-22-7) .....	1		
4-19	93503-16003	BALL (3/16 inch) .....	1		
4-20	257-16341-00	SCREW, push .....	1		
4-21	98801-06300	NUT .....	1		

Fig. 4 CLUTCH



# CLUTCH

Ref. No.	Parts No.	Description	Q'ty	Applicable Machine No.	Remark
4-22	257-16343-00	SCREW, adjusting .....	1		
4-23	257-15417-01	COVER, cap .....	1		
4-24	164-15631-01	GEAR, kick pinion (19T) .....	1		

Fig. 5 TRANSMISSION

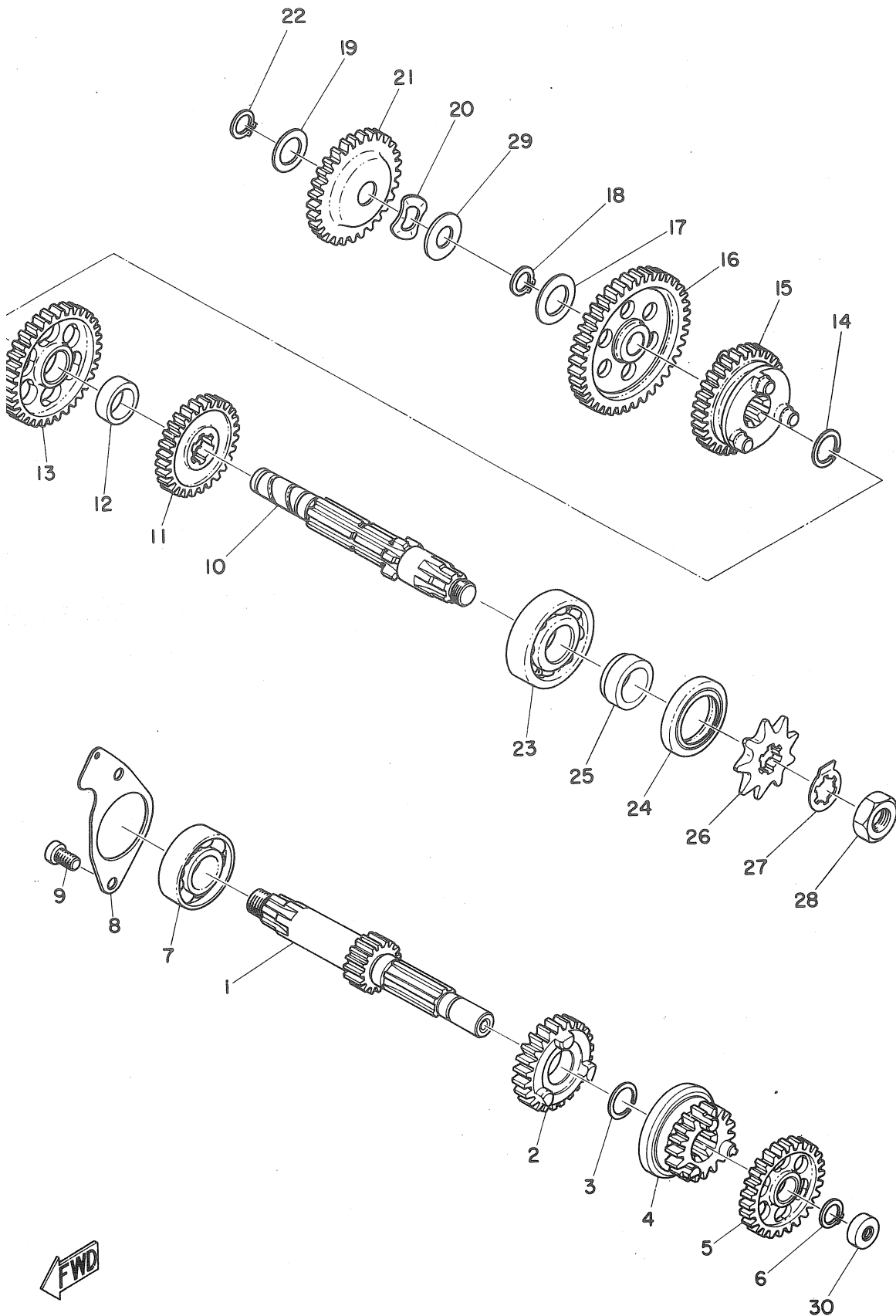
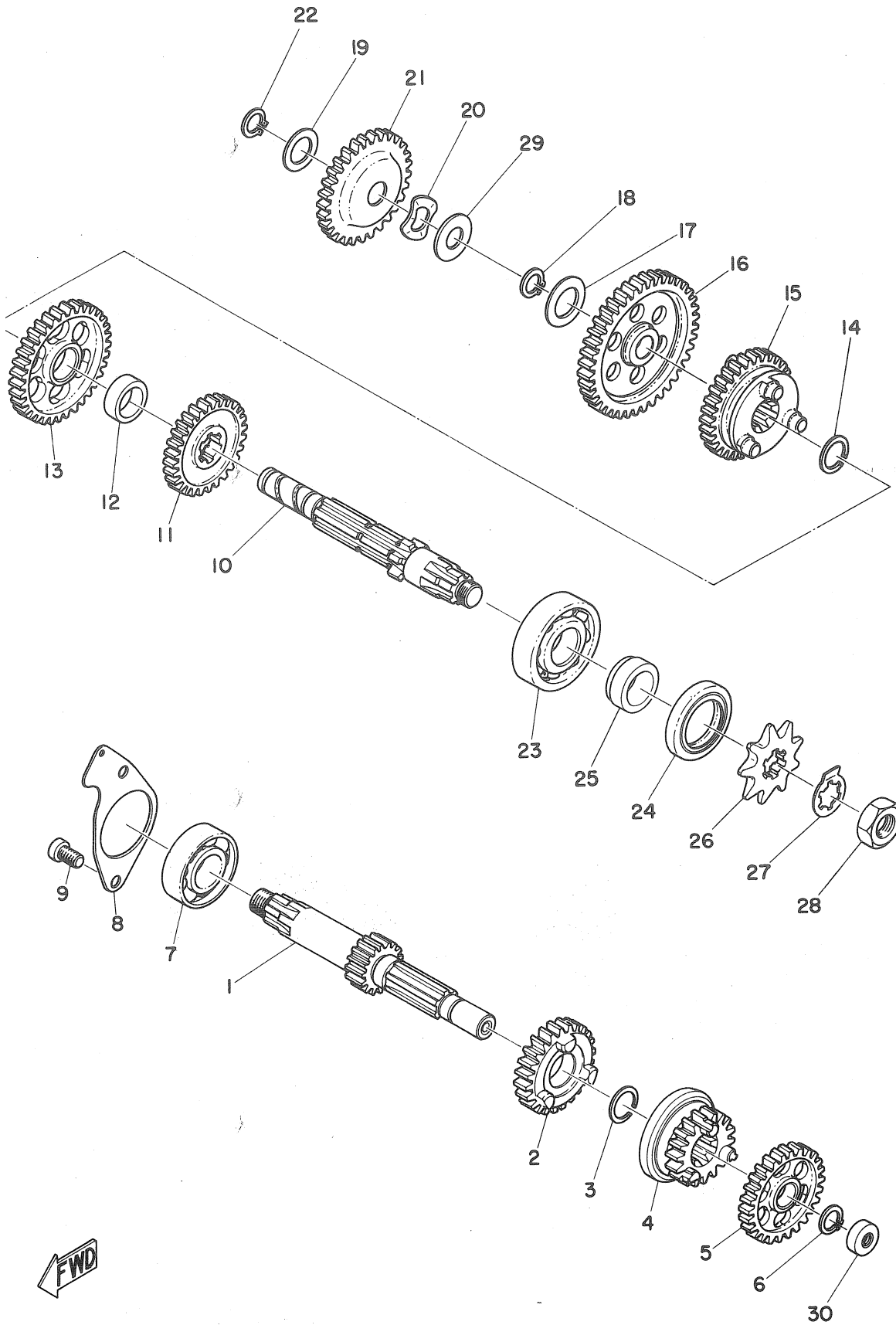


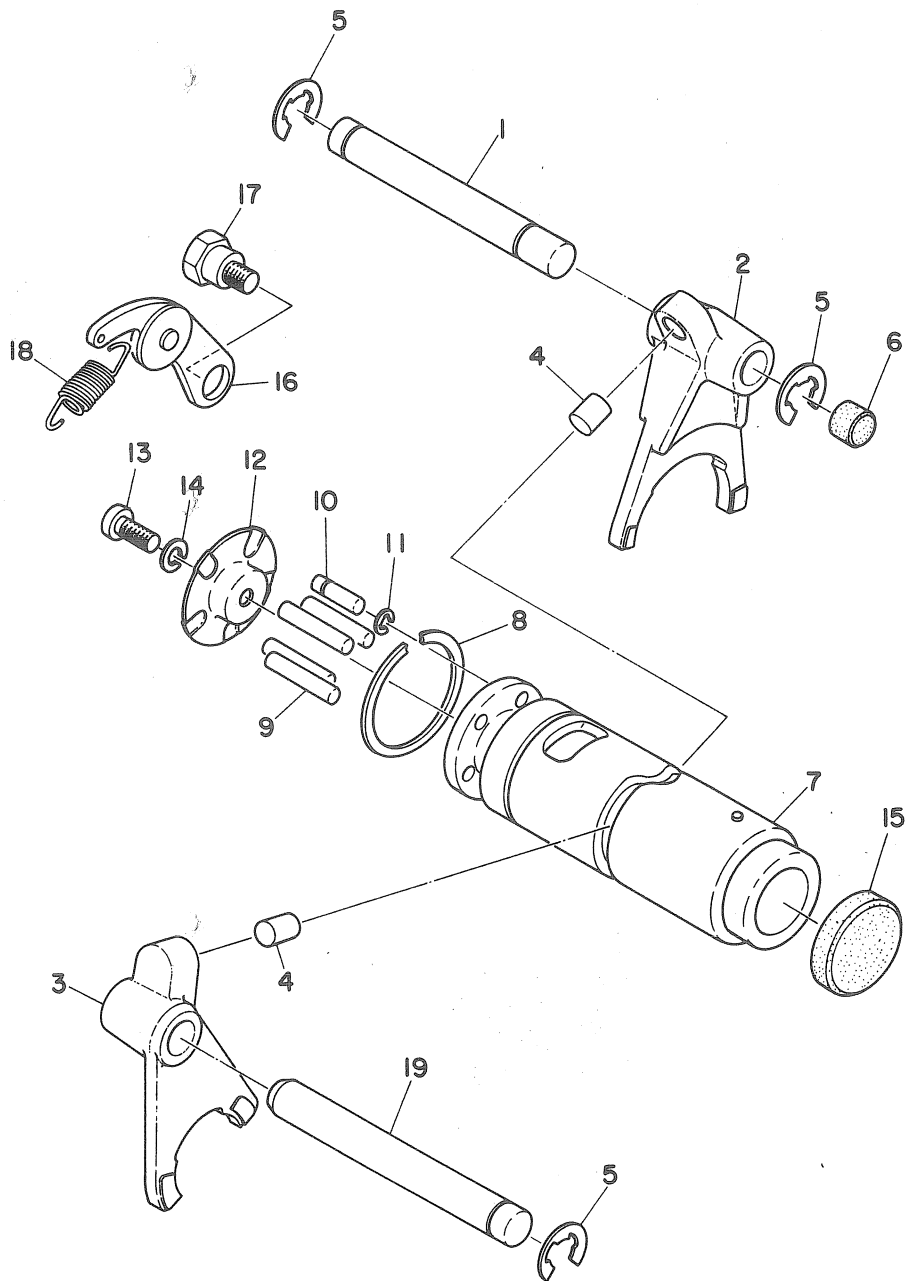
Fig. 5 TRANSMISSION



# TRANSMISSION

Ref. No.	Parts No.	Description	Q'ty	Applicable Machine No.	Remar
5-24	93102-25017	OIL SEAL (SD-25-40-5) .....	1		
5-25	347-17462-00	COLLAR, distance .....	1		
5-26	347-17451-90	SPROCKET, drive (9T) .....	1		
5-27	347-17464-00	WASHER, lock .....	1		
5-28	347-17463-00	NUT, lock .....	1		
5-29	132-15653-00-10	SHIM, thrust washer (13.3-22-1.0)	} U.R 1		
	132-15653-00-12	SHIM, thrust washer (13.3-22-1.2)			
	132-15653-00-14	SHIM, thrust washer (13.3-22-1.4)			
5-30	257-15389-00	SEAL, push rod .....	1		

Fig. 6 SHIFTER A

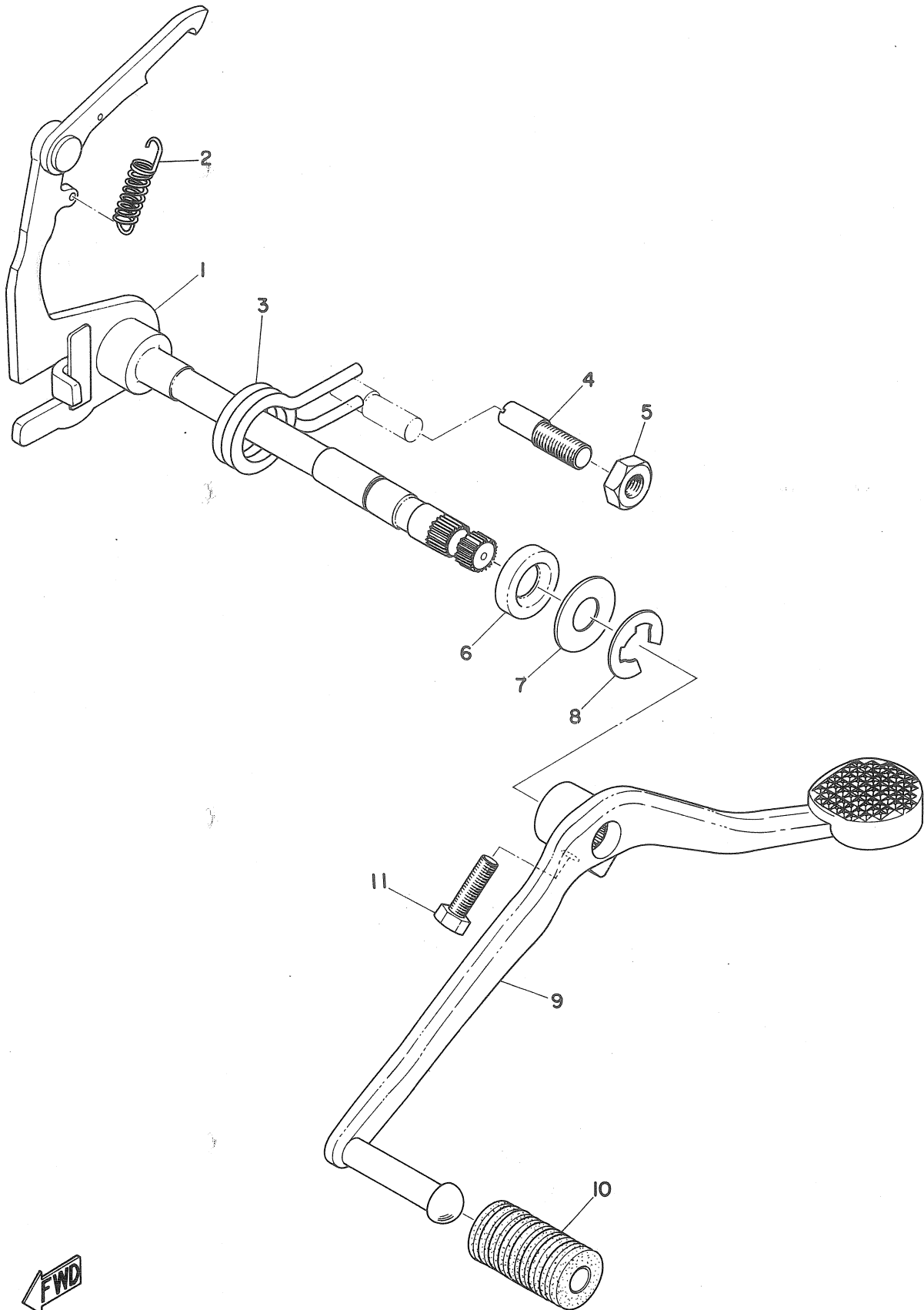




## SHIFTER A

Ref. No.	Parts No.	Description	Q'ty	Applicable Machine No.	Remarks
6- 1	257-18534-00	BAR, shift fork guide .....	1		
6- 2	259-18511-01	FORK, shift (1) .....	1		
6- 3	257-18512-01	FORK, shift (2) .....	1		
6- 4	257-18552-00	PIN, cam follower .....	2		
6- 5	93430-08006	CIRCLIP (E-8) .....	3		
6- 6	150-18328-00	PLUG, blind .....	1		
6- 7	257-18541-61	CAM, shaft .....	1		
6- 8	93440-32017	CIRCLIP .....	1		
6- 9	93604-22050	PIN, dowel .....	4		
6-10	174-18544-00	PIN, locating .....	1		
6-11	93430-03014	CIRCLIP (E-3) .....	1		
6-12	164-18561-00	PLATE, side .....	1		
6-13	98501-05012	SCREW, panhead .....	1		
6-14	92901-05100	WASHER, spring .....	1		
6-15	257-18589-00	PLUG, blind .....	1		
6-16	132-18140-00	STOPPER LEVER ASS'Y .....	1		
6-17	132-18177-00	BOLT, stopper .....	1		
6-18	132-18143-00	SPRING, stopper .....	1		
6-19	257-18531-00	BAR, shift fork guide .....	1		

Fig. 7 SHIFTER B



FWD

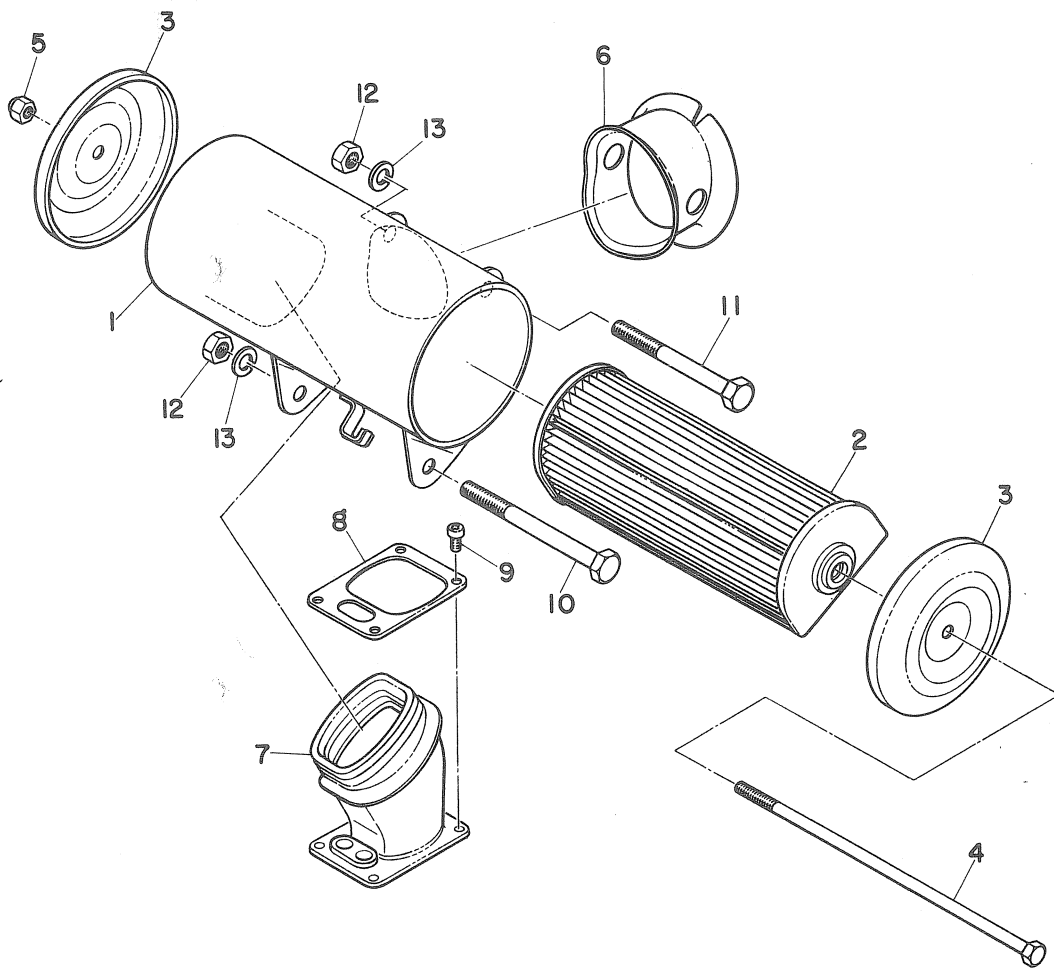
## SHIFTER B

Ref. No.	Parts No.	Description	Q'ty	Applicable Machine No.	Remark
7- 1	257-18101-00	CHANGE SHAFT ASS'Y .....	1		
7- 2	132-18123-00	. SPRING, shift arm .....	1		
7- 3	132-18124-00	SPRING, shaft return .....	1		
7- 4	132-18133-00	SCREW, adjusting .....	1		
7- 5	98800-08100	NUT .....	1		
7- 6	93101-12004	OIL SEAL (S-12-22-5) .....	1		
7- 7	132-18137-00	WASHER, change axle (14.1-28-1.6)	1		
7- 8	93430-10016	CIRCLIP (E-10) .....	1		
7- 9	257-18111-00	PEDAL, change .....	1		
7-10	132-18113-01	COVER, change pedal .....	1		
7-11	91201-06020	BOLT .....	1		

## STARTER

Ref. No.	Parts No.	Description	Q'ty	Applicable Machine No.	Remark
8- 0-1	257-15610-01-91	KICK CRANK ASS'Y .....	1		
8- 1	257-15611-00	. CRANK, kick .....	1		Not for sale
8- 2	122-15612-02	. LEVER, kick .....	1		
8- 3	132-15625-01	. SPRING, kick crank .....	1		
8- 4	132-15616-01	. WASHER, kick lever .....	1		
8- 5	132-15617-00	. CLIP, kick lever .....	1		
8- 6	156-15618-01	COVER, kick lever .....	1		
8- 7	91101-06020	BOLT .....	1		
8- 8	180-15660-00	KICK AXLE ASS'Y .....	1		
8- 9	93109-15001	OIL SEAL (SDO-15-26-6) .....	1		
8-10	93410-15005	CIRCLIP (S-15) .....	1		
8-11	132-15676-00	COVER, kick spring .....	1		
8-12	132-15665-00	SPRING, kick .....	1		
8-13	304-15664-00	GUIDE, kick spring .....	1		
8-14	93410-25017	CIRCLIP (S-25) .....	1		
8-15	117-15644-00	SHIM (25.1-32-1) .....	1		
8-16	180-15641-00	GEAR, kick (28T) .....	1		
8-17	180-15687-00	CLIP, kick .....	1		
8-18	257-15668-00	STOPPER, kick spring .....	1		

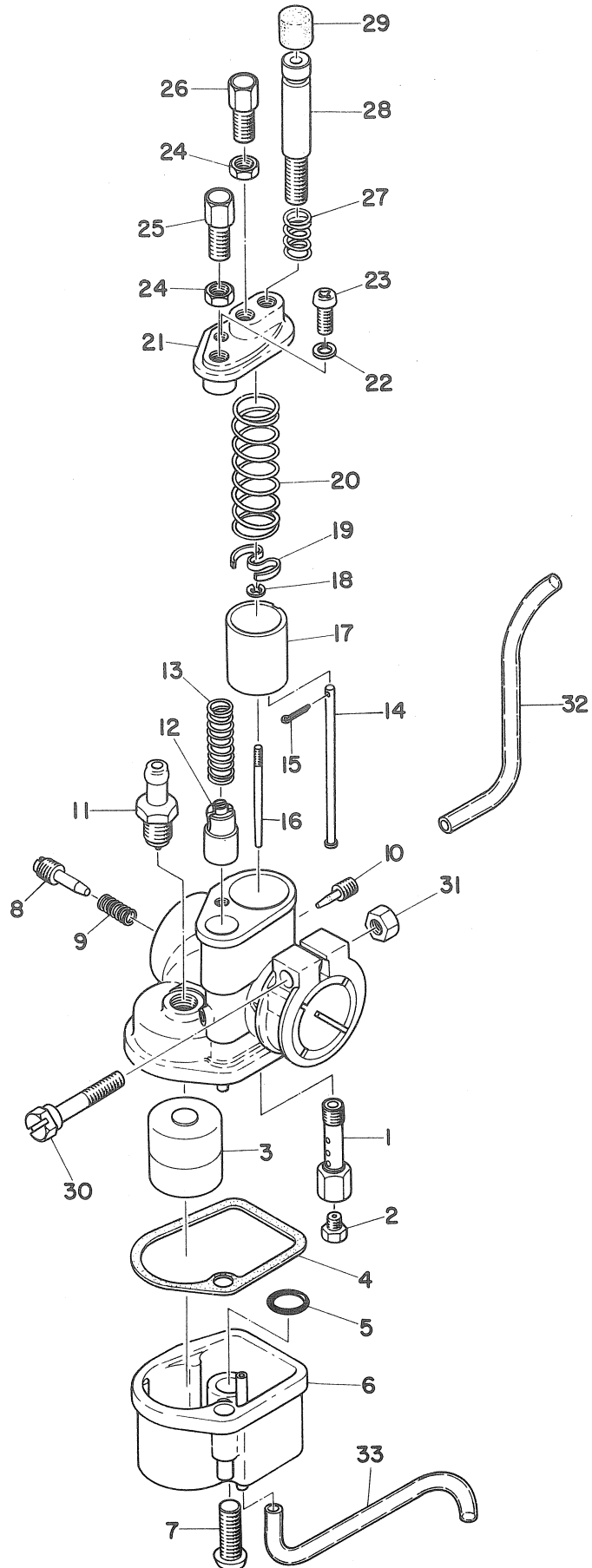
Fig. 9 INTAKE



## INTAKE

Ref. No.	Parts No.	Description	Q'ty	Applicable Machine No.	Remark
9- 1	257-14401-00-35	CASE, air cleaner .....	1		Silver
9- 2	257-14451-00	ELEMENT, air cleaner .....	1		
9- 3	122-14412-00	CAP, cleaner case .....	2		
9- 4	91201-06187	BOLT .....	1		
9- 5	98803-06700	NUT, crown .....	1		
9- 6	257-14454-00	JOINT, suction pipe .....	1		
9- 7	283-14453-00	JOINT, air cleaner .....	1		
9- 8	257-14417-00	COVER, joint .....	1		
9- 9	98501-04008	SCREW, panhead .....	4		
9-10	97101-08095	BOLT .....	1		
9-11	97101-08080	BOLT .....	1		
9-12	98801-08100	NUT .....	2		
9-13	92901-08100	WASHER, spring .....	2		

Fig. 10 CARBURETOR

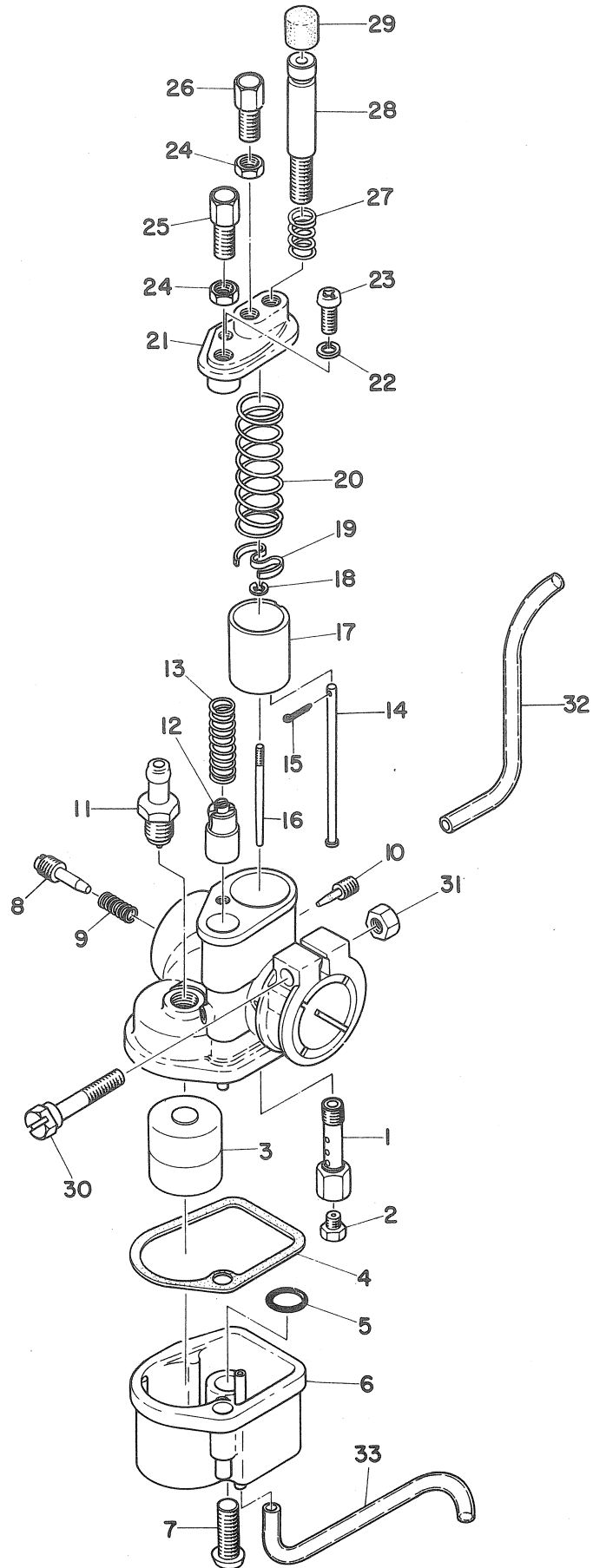


# CARBURETOR

Ref. No.	Parts No.	Description	Q'ty	Applicable Machine No.	Remark
10- 0-1	347-14101-60	CARBURETOR ASS'Y .....	1		VM10SC
10- 1	127-14141-10	. NOZZLE, main (E-0) .....	1		
10- 2	127-14143-13	. JET, main (#65) .....	} U. R 1		Standard
	127-14143-14	. JET, main (#70) .....			
	127-14143-15	. JET, main (#75) .....			
	127-14143-16	. JET, main (#80) .....			
10- 3	260-14185-00	. FLOAT .....	1		
10- 4	260-14184-00	. GASKET, float chamber .....	1		
10- 5	93220-08022	. O-RING .....	1		
10- 6	260-14181-00	. BODY, float chamber .....	1		
10- 7	92501-06018	. SCREW, panhead .....	1		
10- 8	127-14123-00	. SCREW, air adjusting .....	1		
10- 9	127-14134-00	. SPRING, air adjusting .....	1		
10-10	260-14142-25	. JET, pilot (#25) .....	1		
10-11	260-14190-12	. VALVE SEAT ASS'Y (#1.2) ....	1		
10-12	127-14171-00	. PLUNGER STARTER ASS'Y ....	1		
10-13	127-14135-00	. SPRING, plunger .....	1		
10-14	260-14114-00	. BAR, throttle .....	1		
10-15	91401-12008	. PIN, cotter .....	1		
10-16	118-14116-02	. NEEDLE (3J2-3) .....	1		
10-17	283-14112-25	. VALVE, throttle (#2.5) .....	1		
10-18	127-14137-00	. CLIP .....	1		
10-19	127-14136-00	. SEAT, spring .....	1		



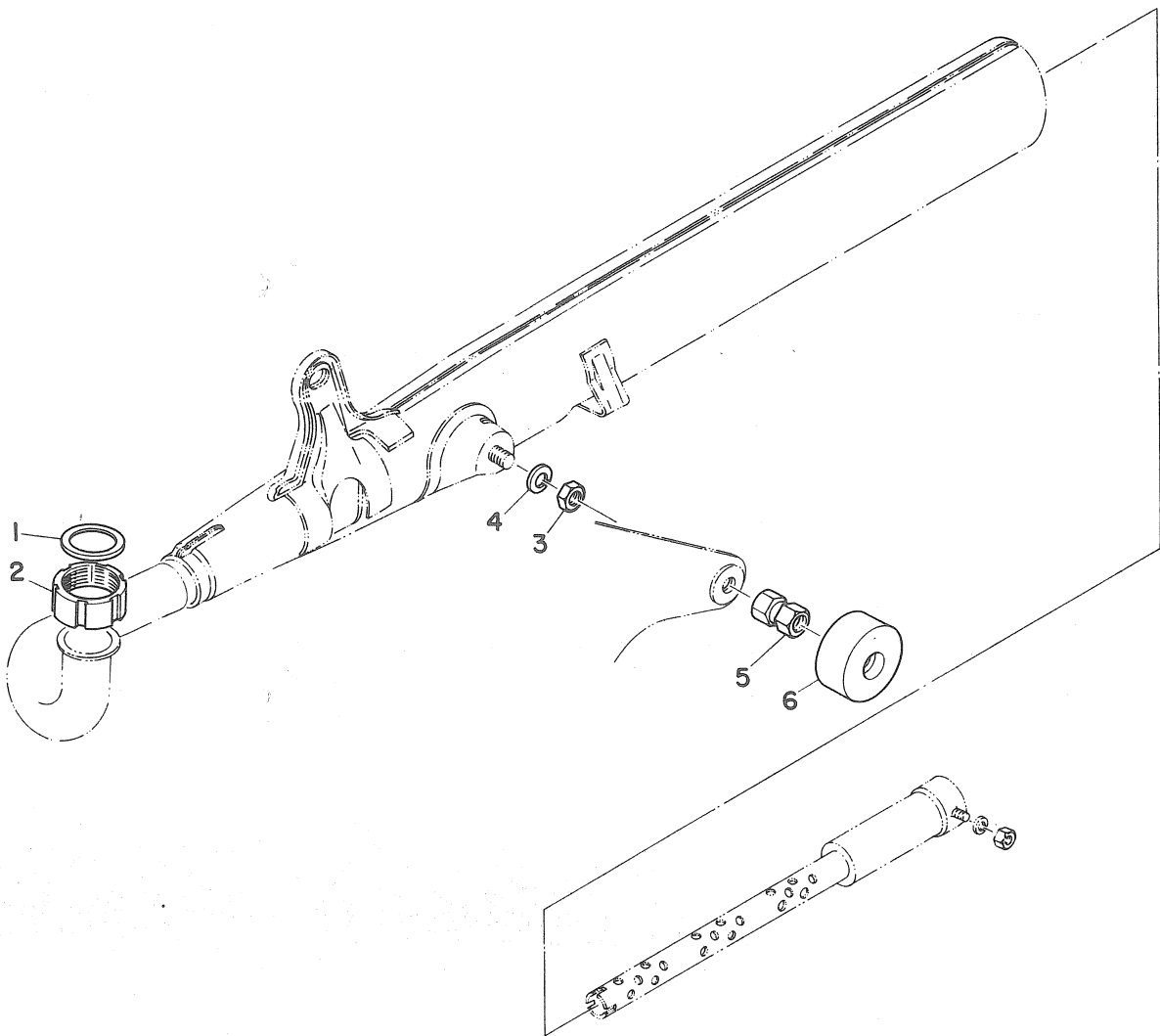
Fig. 10 CARBURETOR



# CARBURETOR

Ref. No.	Parts No.	Description	Q'ty	Applicable Machine No.	Remarks
10-20	260-14131-00	. SPRING, throttle valve .....	1		
10-21	260-14158-01	. TOP, mixing chamber .....	1		
10-22	92901-04100	. WASHER, spring .....	1		
10-23	98501-04010	. SCREW, panhead .....	1		
10-24	127-14161-00	. NUT, wire adjusting .....	2		
10-25	127-14124-20	. SCREW, wire adjusting .....	1		
10-26	127-14124-20	. SCREW, wire adjusting .....	1		
10-27	127-14133-00	. SPRING, throttle stop .....	1		
10-28	167-14121-00	. SCREW, throttle .....	1		
10-29	167-14119-00	. CAP, throttle screw .....	1		
10-30	127-14125-01	. SCREW, body fitting .....	1		
10-31	98801-05200	. NUT .....	1		
10-32	257-14197-00	PIPE, air vent .....	1		
10-33	137-14197-00	PIPE, over flow .....	1		

Fig. 11 EXHAUST



## EXHAUST

Ref. No.	Parts No.	Description	Q'ty	Applicable Machine No.	Remark
11- 1	132-14613-00	GASKET, exhaust .....	1		
11- 2	122-14612-02	NUT, ring .....	1		
11- 3	98801-08100	NUT .....	1		
11- 4	92901-08100	WASHER, spring .....	1		
11- 5	209-27118-00	NUT .....	1		
11- 6	283-27114-00	STOPPER, main stand .....	1		

Fig. 12 FLYWHEEL MAGNETO (MITSUBISHI)

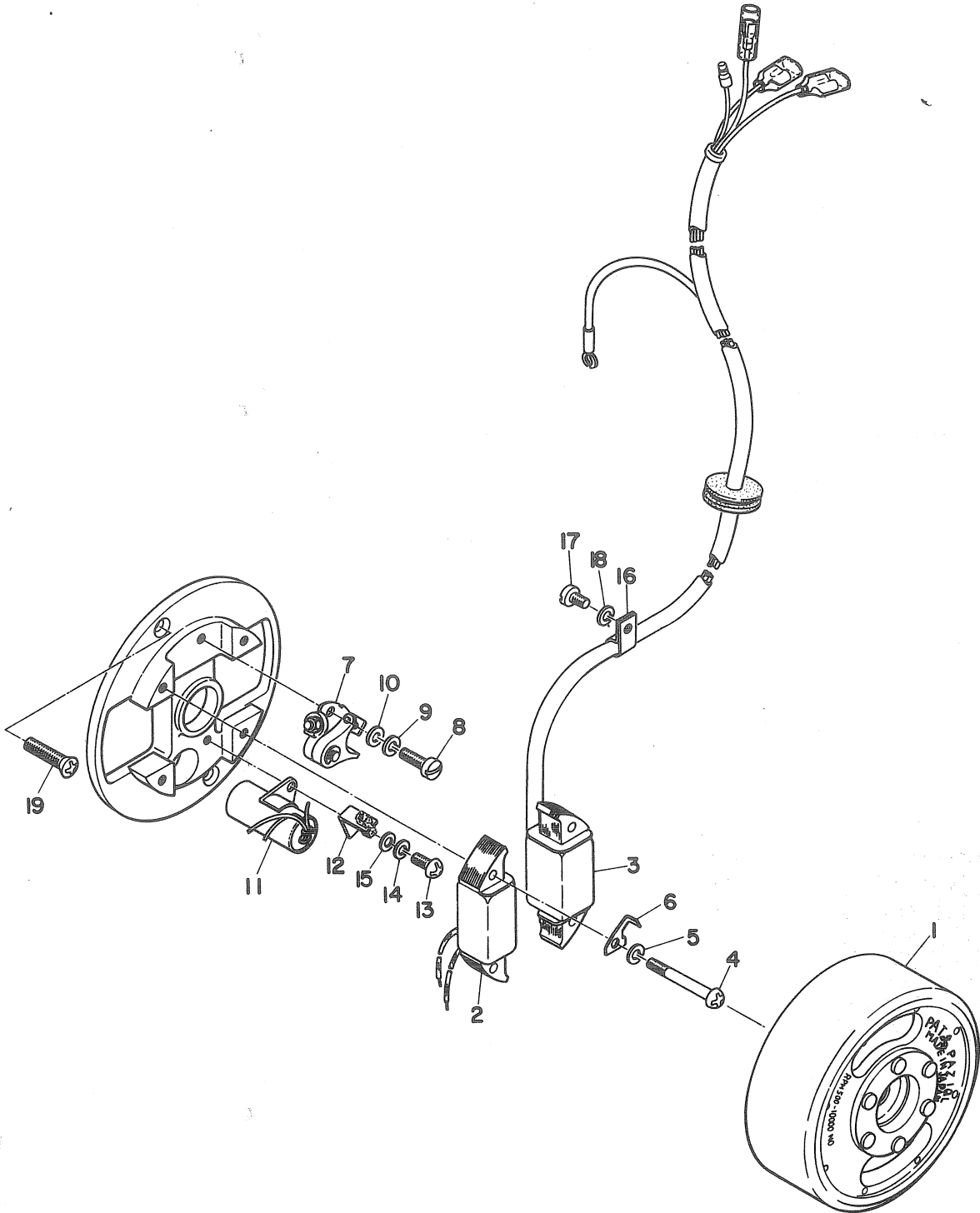
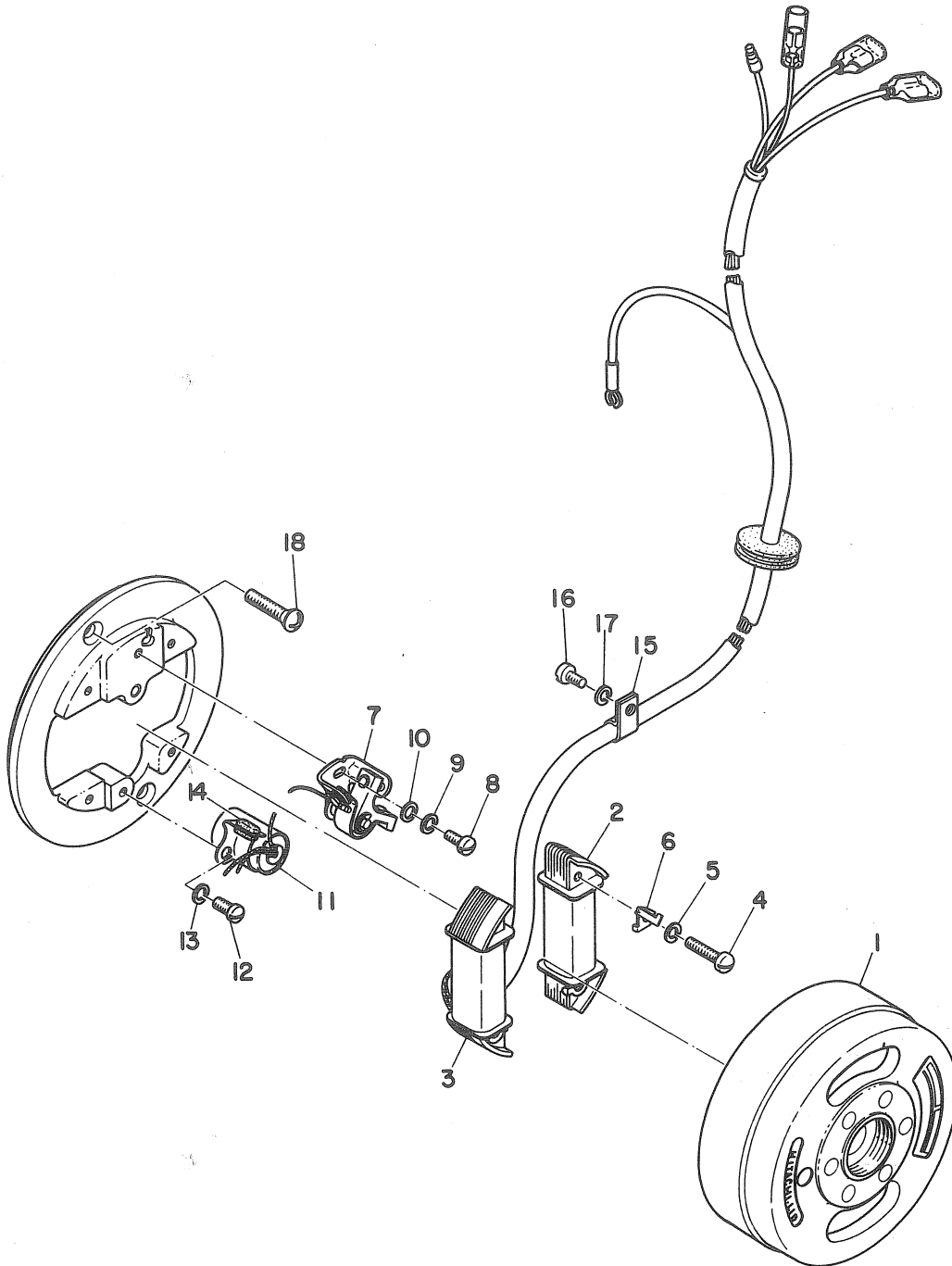


Fig. 13 FLYWHEEL MAGNETO (HITACHI)



## FLYWHEEL MAGNETO (HITACHI)

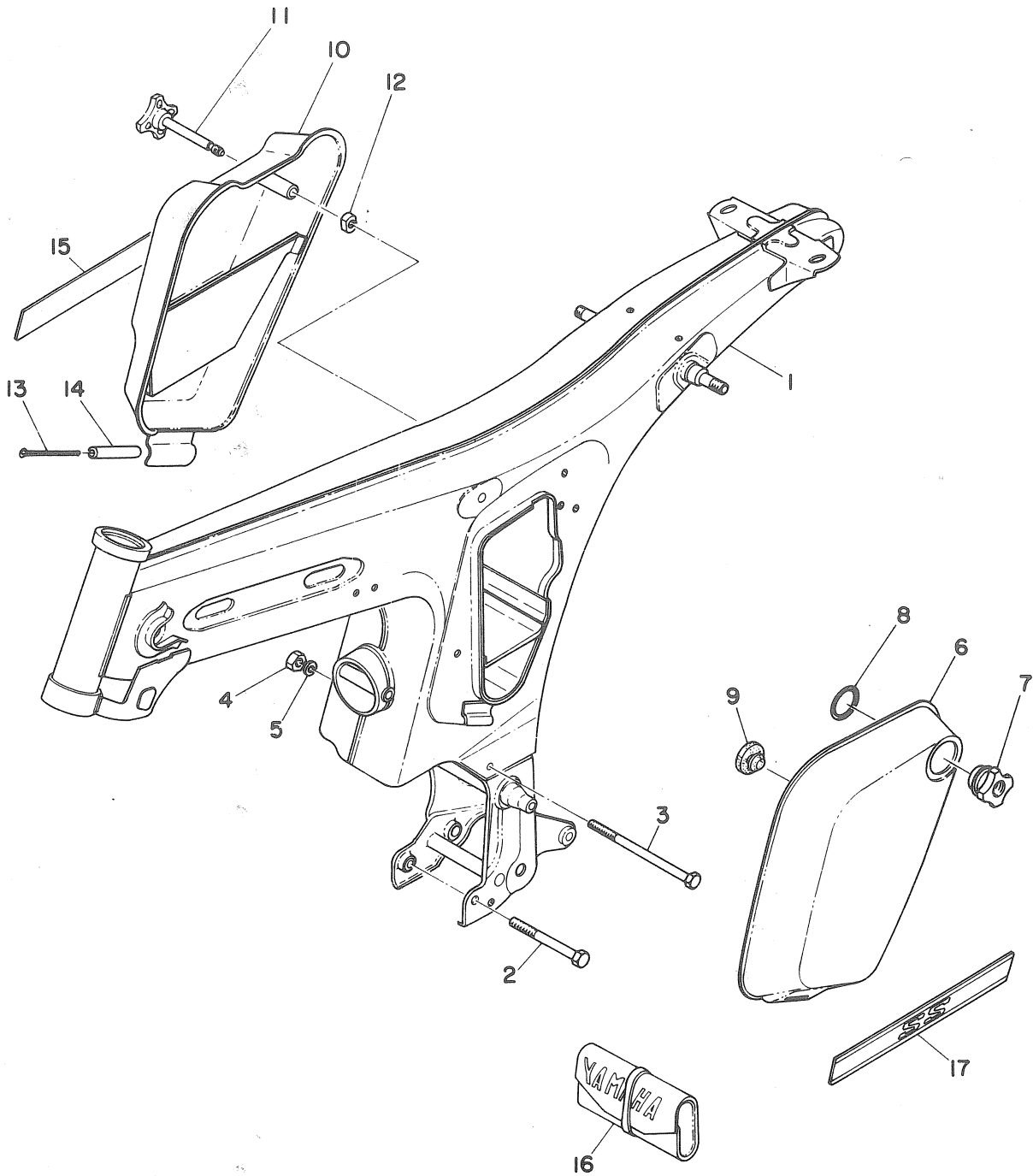
Ref. No.	Parts No.	Description	Q'ty	Applicable Machine No.	Rem
13- 0-1	257-81300-10	FLYWHEEL MAGNETO ASS'Y	.... 1		HITA
13- 1	207-81350-10	. ROTOR ASS'Y	..... 1		
13- 2	207-81312-10	. COIL, source	..... 1		
13- 3	207-81313-10	. COIL, lighting	..... 1		
13- 4	110-81348-20	. SCREW, panhead (4-25)	..... 4		
13- 5	92901-04100	. WASHER, spring	..... 4		
13- 6	257-81332-10	. PLATE, timing	..... 1		
13- 7	207-81321-10	. CONTACT BREAKER ASS'Y	.... 1		
13- 8	110-81347-20	. SCREW, panhead (4-12)	..... 1		
13- 9	92901-04100	. WASHER, spring	..... 1		
13-10	92901-04200	. WASHER, plain	..... 1		
13-11	207-81326-10	. CONDENSER	..... 1		
13-12	110-81346-20	. SCREW, panhead (4-10)	..... 1		
13-13	92901-04100	. WASHER, spring	..... 1		
13-14	207-81331-10	. LUBRICATOR	..... 1		
13-15	109-81328-10	. CLAMP, lead	..... 1		
13-16	165-81145-21	. SCREW, panhead (4-8)	..... 1		
13-17	92901-04100	. WASHER, spring	..... 1		
13-18	98701-05015	SCREW, flathead	..... 2		

# CHASSIS





Fig. 14 FRAME · SIDE COVER



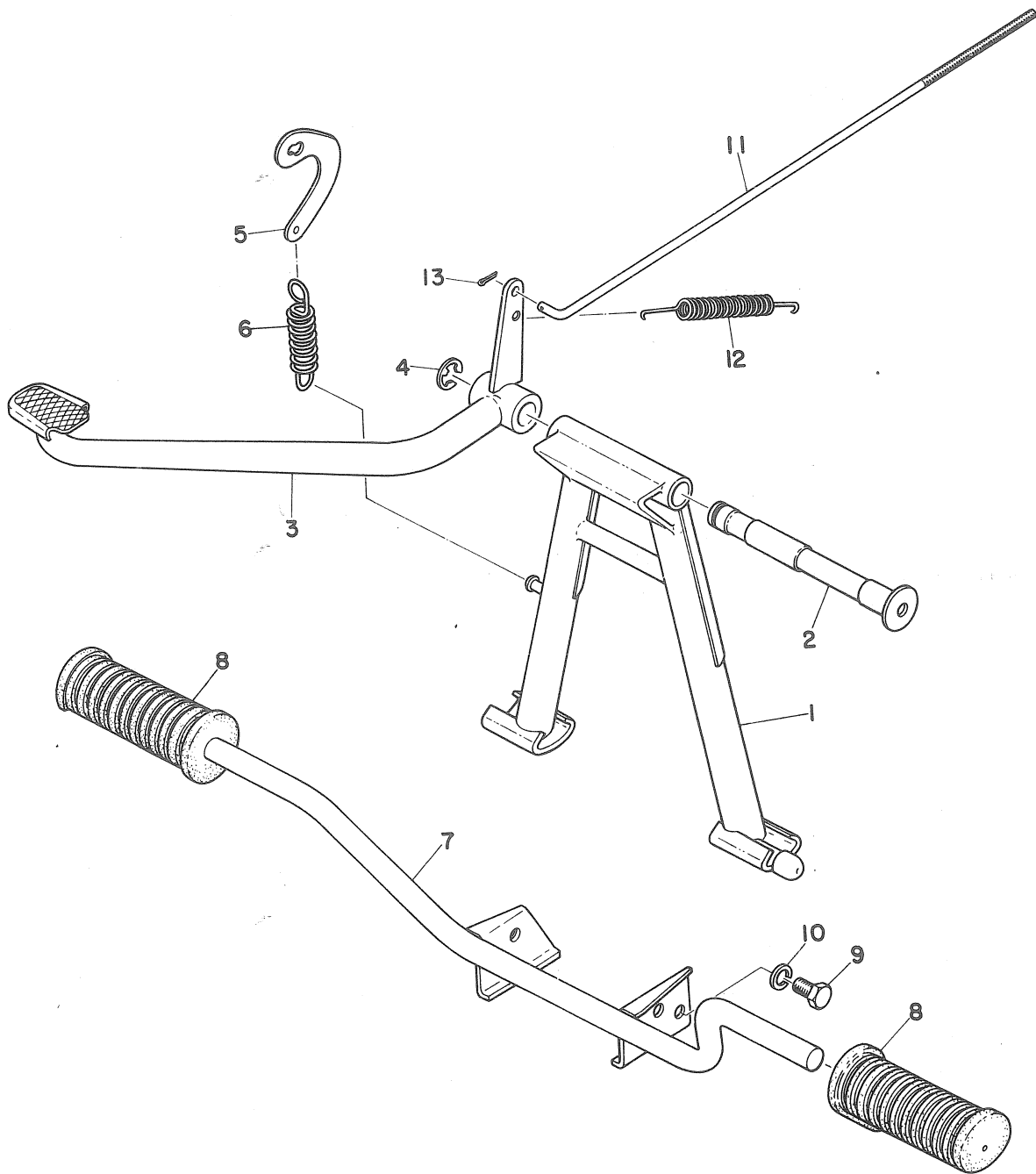
## FRAME · SIDE COVER

Ref. No.	Parts No.	Description	Q'ty	Applicable Machine No.	Remarks
14- 1	260-21110-00-33	FRAME COMP. ....	1		Yamaha Blac
14- 2	180-21483-00	BOLT, engine mounting .....	1		
14- 3	97101-08120	BOLT .....	1		
14- 4	98801-08100	NUT .....	1		
14- 5	92901-08100	WASHER, spring .....	1		
14- 6	220-21711-00-71	COVER, side left .....	1		Mandarin O
	220-21711-00-75	COVER, side left .....	1		Marine Blue
14- 7	102-21714-00	KNOB, side cover left .....	1		
14- 8	102-21718-00	RING, stop .....	1		
14- 9	141-21717-00	DAMPER, side cover .....	1		
14-10	283-21721-00-71	COVER, side light .....	1		Mandarin C
	283-21721-00-75	COVER, side right .....	1		Marine Blu
14-11	209-21724-00	KNOB, side cover right .....	1		
14-12	136-21713-00	NUT, latch clamp .....	1		
14-13	91401-50075	PIN, cotter .....	1		
14-14	283-21717-00	DAMPER, side cover .....	1		
14-15	348-21787-00	EMBLEM, side cover .....	1		
14-16	207-28100-10	TOOL ASS'Y .....	1		
14-17	260-21787-01	EMBLEM .....	1		

## REAR ARM · REAR CUSHION · CHAIN CASE

Ref. No.	Parts No.	Description	Q'ty	Applicable Machine No.	Remarks
15- 1	220-22110-00-33	REAR ARM COMP. ....	1		Yamaha Blac
15- 2	102-22123-00	BUSHING, rear arm ....	2		
15- 3	102-22141-01	SHAFT, pivot ....	1		
15- 4	98801-10100	NUT ....	1		
15- 5	122-22151-00	SEAL, guard ....	1		
15- 6	180-22117-00	CAP, rear arm ....	1		
15- 7	260-22311-00-35	CHAIN CASE, half ....	1		Silver
15- 8	207-22331-00	SCREW, chain case fitting ....	1		
15- 9	98501-05020	SCREW, panhead ....	1		
15-10	92901-05100	WASHER, spring ....	2		
15-11	120-27430-02	REAR FOOTREST ASS'Y ....	2		
15-12	120-27433-00	. COVER, rear footrest ....	2		
15-13	206-27436-00	NUT, rear footrest ....	2		
15-14	220-22210-00-71	REAR CUSHION ASS'Y ....	2		Mandarin Or
	220-22210-00-75	REAR CUSHION ASS'Y ....	2		Marine Blue
15-15	220-22242-00	BOLT, rear cushion ....	2		
15-16	220-22251-00	NUT, cap ....	2		
15-17	98803-10700	NUT, crown ....	2		
15-18	102-22243-00	WASHER, rear cushion (10-25-2)	4		
15-19	122-22243-00	WASHER, rear cushion (12-27-2)	2		
15-20	122-22244-00	WASHER, rear cushion (12-22-2)	2		
ALTERNATE PARTS					
15-21	220-22210-20	REAR CUSHION ASS'Y ....	2		

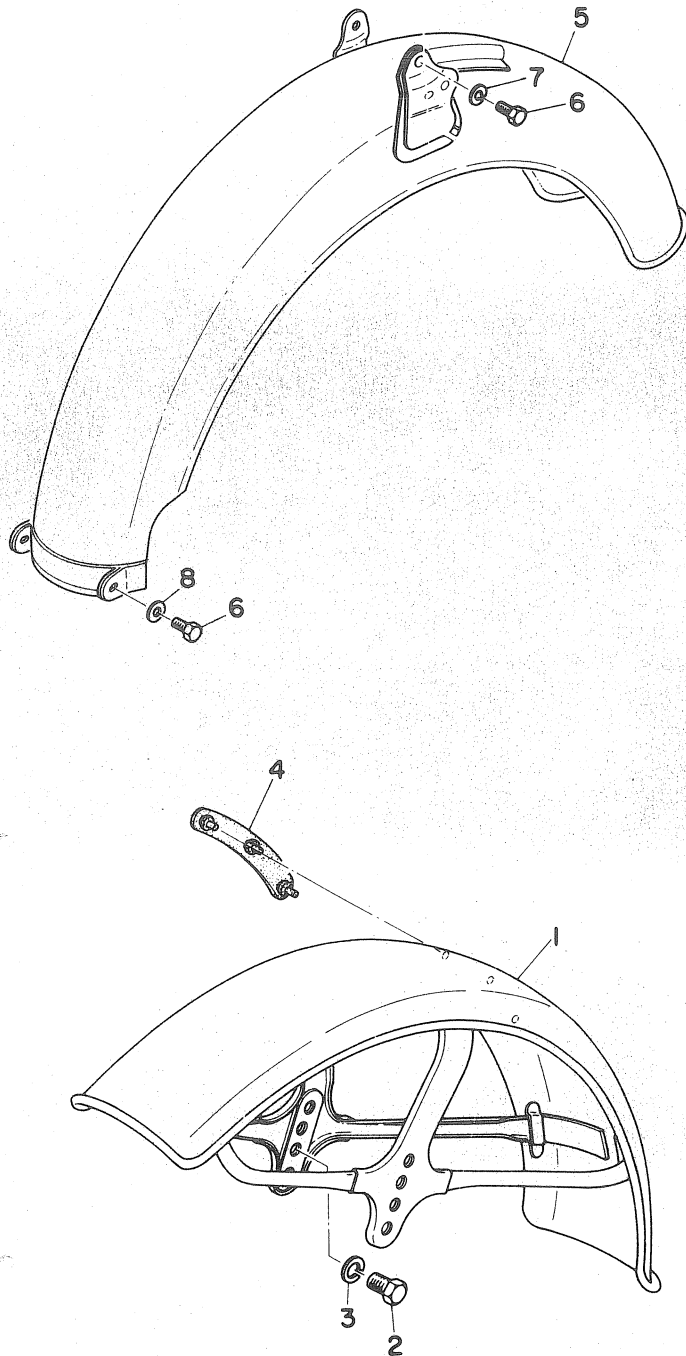
Fig. 16 STAND · FOOTREST · BRAKE PEDAL



## STAND · FOOTREST · BRAKE PEDAL

Ref. No.	Parts No.	Description	Q'ty	Applicable Machine No.	Remarks
16- 1	207-27111-00	STAND, main .....	1		
16- 2	122-27112-00	SHAFT, main stand .....	1		
16- 3	257-27211-00	PEDAL, brake .....	1		
16- 4	93430-12008	CIRCLIP (E-12) .....	1		
16- 5	109-27115-00	LINK, main stand .....	1		
16- 6	122-27116-00	SPRING, main stand .....	1		
16- 7	260-27411-00	FOOTREST .....	1		
16- 8	122-27413-00	COVER, footrest .....	2		
16- 9	97201-08015	BOLT .....	1		
16-10	92901-08100	WASHER, spring .....	1		
16-11	180-27231-01	ROD, brake .....	1		
16-12	109-27216-00	SPRING, pedal return .....	1		
16-13	91401-20012	PIN, cotter .....	1		

Fig. 17 FRONT FENDER · REAR FENDER



# FRONT FORK

Ref. No.	Parts No.	Description	Q'ty	Applicable Machine No.	Remarks
18- 0-1	260-23100-90-02	FRONT FORK ASS'Y .....	1		Mandarin
	260-23100-90-03	FRONT FORK ASS'Y .....	1		Marine Bl
18- 1	260-23126-40-35	. TUBE, outlet left .....	1		Sliver
18- 2	260-23136-40-35	. TUBE, outer right .....	1		Silver
18- 3	207-23147-00	. O-RING .....	2		
18- 4	207-23124-00	. TUBE, inner left .....	1		
18- 4-1	207-23134-00	. TUBE, inner right .....	1		
18- 5	109-23125-00	. METAL, slide .....	2		
18- 6	209-23150-40	. OUTER NUT COMP. ....	2		
18- 7	109-23145-00	. . OIL SEAL .....	2		
18- 8	109-23143-00	. SEAT, spring under .....	2		
18- 9	207-23117-00	. GUIDE, spring .....	2		
18-10	207-23141-00	. SPRING, fork .....	2		
18-11	196-23191-40	. BOOT .....	2		
18-12	209-23142-40	. SEAT, spring upper .....	2		
18-13	232-23122-60	. COVER, outer left .....	1		
18-14	232-23132-60	. COVER, outer right .....	1		
18-15	207-23163-00	. PACKING .....	2		
18-16	207-23116-01	. GUIDE, cover under .....	2		
18-17	260-23121-40-71	. COVER, upper left .....	1		Mandarin
	260-23121-40-75	. COVER, upper left .....	1		Marine
18-18	260-23131-40-71	. COVER, upper right .....	1		Mandarin
	260-23131-40-75	. COVER, upper right .....	1		Marine
18-19	122-23114-00	. PACKING .....	2		

## STEERING

Ref. No.	Parts No.	Description	Q'ty	Applicable Machine No.	Remarks
19- 1	156-23411-00	RACE, ball 1 .....	1		
19- 2	156-23412-00	RACE, ball 2 .....	1		
19- 3	183-23411-00	RACE, ball 1 .....	1		
19- 4	183-23412-00	RACE, ball 2 .....	1		
19- 5	164-23462-00	SEAL, dust .....	1		
19- 6	93501-04011	BALL (1/4 inch) .....	38		
19- 7	136-23415-00	COVER, ball race .....	1		
19- 8	122-23453-00	NUT, fitting .....	1		
19- 9	185-23435-00-98	CROWN, handle .....	1		Frosting Bla
19-10	122-23451-00	BOLT, fitting .....	1		
19-11	122-23443-00	WASHER, crown .....	1		
19-12	122-23442-02	HOLDER, handle under .....	2		
19-13	122-23441-00	HOLDER, handle upper .....	2		
19-14	91103-06035	BOLT .....	4		
19-15	92901-06100	WASHER, spring .....	4		
19-16	98801-10100	NUT .....	2		
19-17	92901-10100	WASHER, spring .....	2		
19-18	92901-10200	WASHER, plain .....	2		
19-19	260-23480-00	STEERING LOCK ASS'Y .....	1		
19-20	98601-05012	SCREW, oval head .....	2		



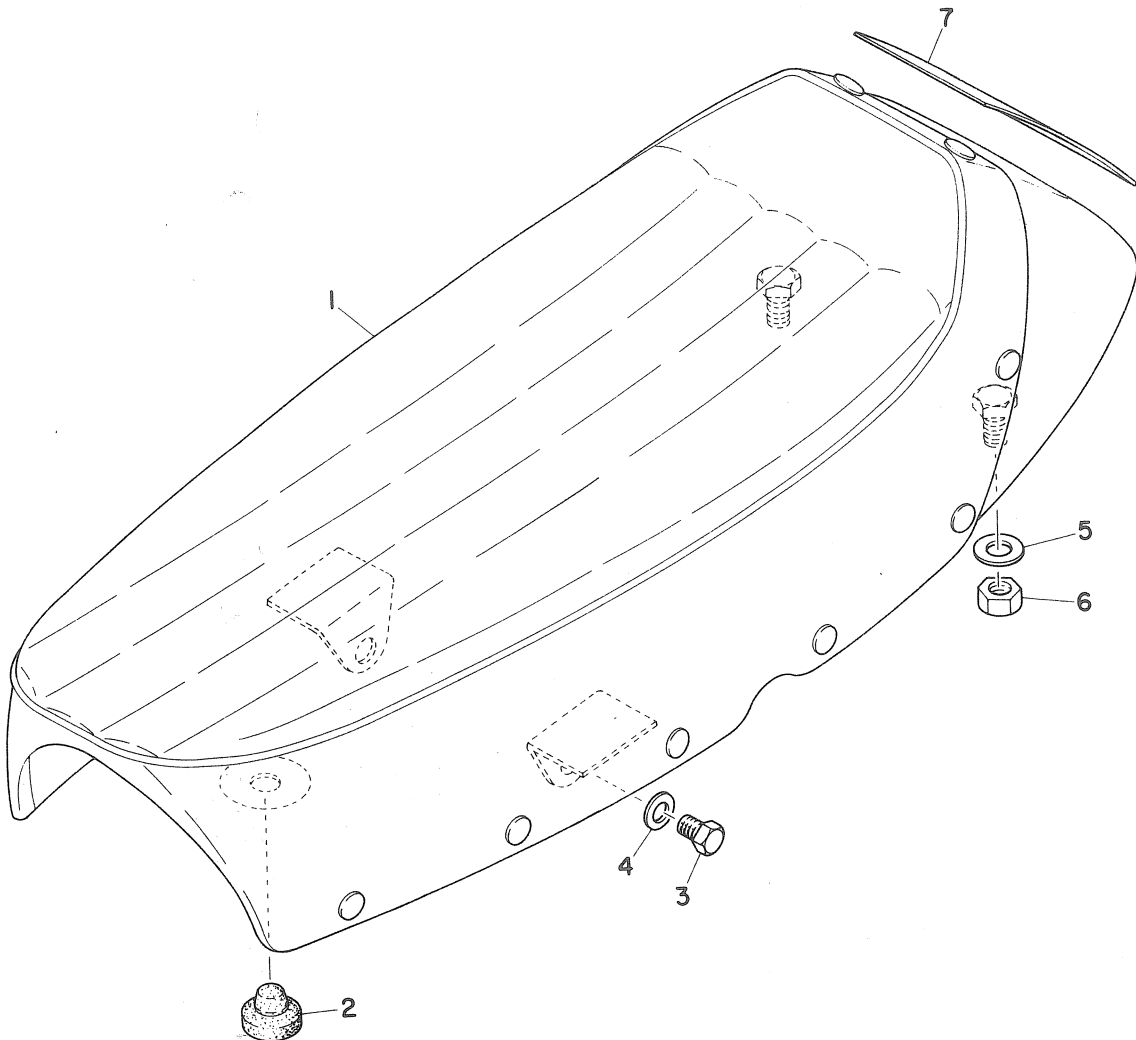
## HANDLE · WIRE

Ref. No.	Parts No.	Description	Q'ty	Applicable Machine No.	Remarks
20-24	137-26242-60	GRIP, right .....	1		
20-25	150-26249-00	RING, leaf .....	1		
20-26	137-26243-60	TUBE, guide .....	1		
20-27	128-26278-00	CLIP, wire .....	1		
20-28	92501-06008	SCREW, panhead .....	1		
20-29	92901-06100	WASHER, spring .....	1		
20-30	92901-06200	WASHER, plain .....	1		
20-31	283-26311-20	WIRE, throttle .....	1		
20-32	109-26341-20	WIRE, brake .....	1		
20-33	260-26335-20	WIRE, clutch .....	1		
20-34	137-26331-30	WIRE, starter .....	1		
20-35	169-26251-00	NUT, adjusting .....	1		
ALTERNATE PARTS					
20-36	266-26290-00	BACK MIRROR ASS'Y, right .....	1		
20-37	266-26290-10	BACK MIRROR ASS'Y, left .....	1		

## FUEL TANK

Ref. No.	Parts No.	Description	Q'ty	Applicable Machine No.	Remarks
21- 1	260-24110-00-03	FUEL TANK COMP. ....	1		Mandarin Ora
	260-24110-00-04	FUEL TANK COMP. ....	1		Marine Blue
21- 2	122-24181-00	DAMPER, locating (1) ....	2		
21- 3	122-24182-01	DAMPER, locating (2) ....	2		
21- 4	129-24183-00	DAMPER, locating (3) ....	1		
21- 5	122-24610-01	CAP ASS'Y .....	1		
21- 6	129-24161-00	EMBLEM, fuel tank .....	2		
21- 7	98501-04008	SCREW, panhead .....	4		
21- 8	156-21766-00	PIPE, fuel .....	1		
21- 9	101-24356-00	CLIP, pipe .....	2		
21-10	127-24500-00	FUEL COCK ASS'Y .....	1		
21-11	122-24515-00	. NET, filter .....	1		
21-12	102-24522-00	. GASKET, filter .....	1		
21-13	122-24521-00	. CUP, filter .....	1		
21-14	122-24532-00	. GASKET, nut .....	1		
21-15	122-24531-00	. NUT .....	1		
21-16	102-24529-00	. SPRING .....	1		
21-17	122-24524-00	. LEVER, cock .....	1		
21-18	127-24535-00	. SCREW, lever fitting .....	1		
21-19	122-24534-00	. SEAL, cock lever .....	1		

Fig. 22 SEAT



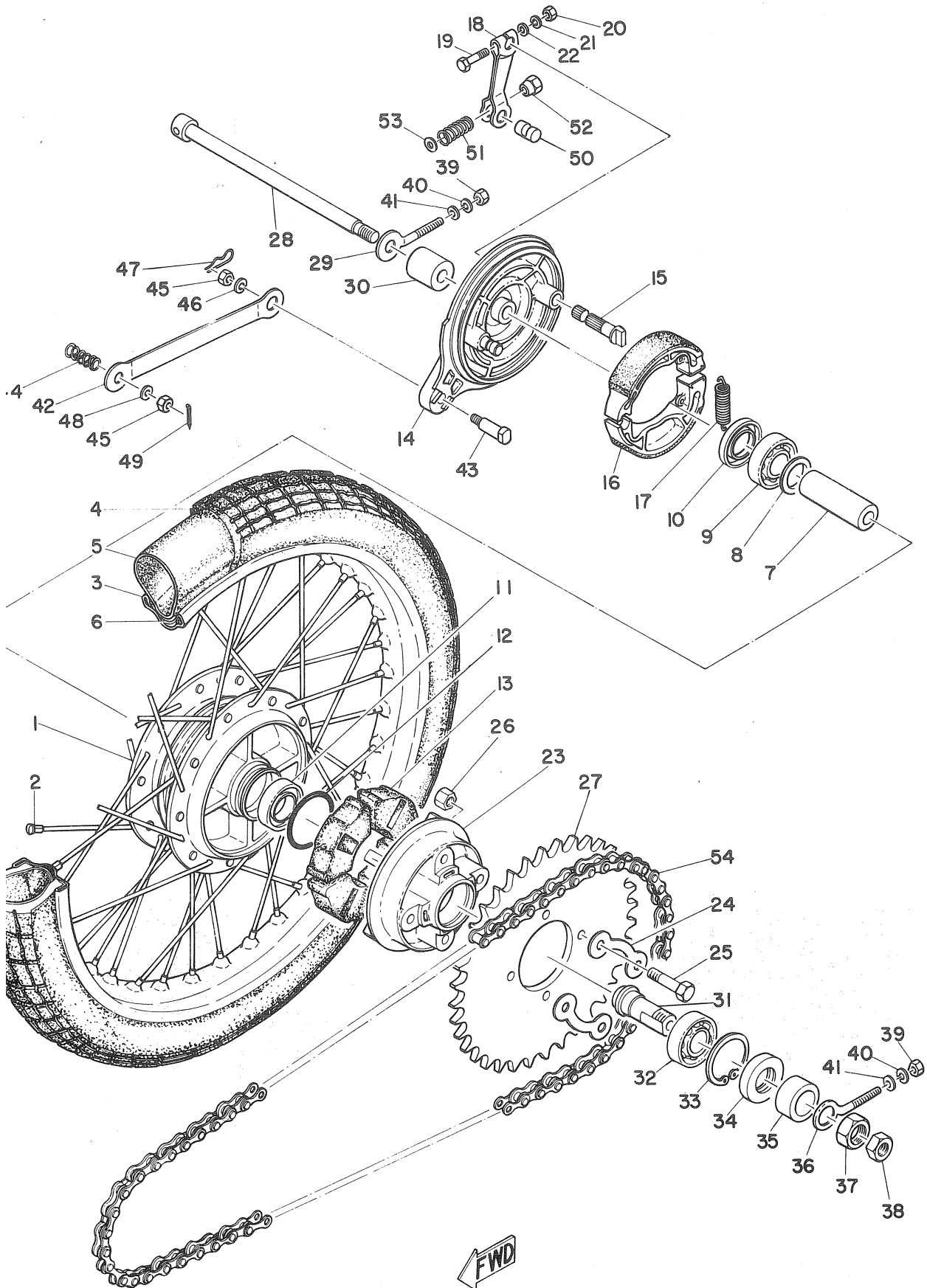
# SEAT

Ref. No.	Parts No.	Description	Q'ty	Applicable Machine No.	Remark
22- 1	260-24770-00-71	SEMI-DOUBLE SEAT ASS'Y .....	1		Mandarine
	260-24770-00-75	SEMI-DOUBLE SEAT ASS'Y .....	1		Marine Blu
22- 1-1	260-24771-00	. COVER, seat .....	1		
22- 2	174-24741-00	PAD, seat .....	2		
22- 3	91201-06012	BOLT .....	2		
22- 4	92901-06200	WASHER, plain .....	2		
22- 5	92901-08200	WASHER, plain .....	2		
22- 6	98801-08100	NUT .....	2		
22- 7	260-24786-00	EMBLEM, seat .....	} U.R 1		Marine B
	260-24786-10	EMBLEM, seat .....			Mandarin

## FRONT WHEEL

Ref. No.	Parts No.	Description	Q'ty	Applicable Machine No.	Remarks
23- 1	109-25111-00	HUB, front	1		
23- 2	109-25104-00	SPOKE SET	1s		
23- 3	94412-17002	RIM (1.20-17)	1		
23- 4	94122-17008	TIRE, front (2.25-17-4PR)	1		
23- 5	94222-17003	TUBE (2.25-17)	1		
23- 6	94322-17002	BAND, rim (2.25-17)	1		
23- 7	102-25117-00	SPACER, bearing	1		
23- 8	93306-20204	BEARING (6202Z)	2		
23- 9	93106-20001	OIL SEAL (DD-20-35-7)	1		
23-10	93107-42001	OIL SEAL (OS-42-52.5-7)	1		
23-11	109-25135-00	GEAR, drive	1		
23-12	109-25121-01	PLATE, brake shoe	1		
23-13	122-25351-01	CAM SHAFT	1		
23-14	122-25330-00	BRAKE SHOE COMP.	2		
23-15	102-25333-00	SPRING, return	2		
23-16	109-25155-00	LEVER, cam shaft	1		
23-17	91201-06030	BOLT	1		
23-18	98801-06100	NUT	1		
23-19	92901-06100	WASHER, spring	1		
23-20	92901-06200	WASHER, plain	1		
23-21	141-25138-00	GEAR, meter	1		
23-22	109-25136-00	BUSHING	1		
23-23	93104-07003	OIL SEAL (SO-7-14-4)	1		

Fig. 24 REAR WHEEL



## REAR WHEEL

Ref. No.	Parts No.	Description	Q'ty	Applicable Machine No.	Remarks
24- 1	132-25311-00	HUB, rear	1		
24- 2	122-25304-00	SPOKE SET	1s		
24- 3	94414-17003	RIM (1.40-17)	1		
24- 4	94125-17012	TIRE, rear (2.50-17-4PR)	1		
24- 5	94225-17005	TUBE (2.50-17)	1		
24- 6	94325-17004	BAND, rim (2.50-17)	1		
24- 7	102-25317-00	SPACER, bearing	1		
24- 8	102-25315-00	FLANGE, spacer	1		
24- 9	93306-30101	BEARING (6301)	1		
24-10	93104-21016	OIL SEAL (SO-21-37-7)	1		
24-11	93306-30103	BEARING (6301Z)	1		
24-12	93210-41041	O-RING (4-40.5)	1		
24-13	132-25364-00	DAMPER, clutch	4		
24-14	102-25321-00	PLATE, brake shoe	1		
24-15	122-25351-01	CAM SHAFT	1		
24-16	122-25330-00	BRAKE SHOE COMP.	2		
24-17	102-25333-00	SPRING, return	2		
24-18	122-25355-00	LEVER, cam shaft	1		
24-19	91201-06030	BOLT	1		
24-20	98801-06100	NUT	1		
24-21	92901-06100	WASHER, spring	1		
24-22	92901-06200	WASHER, plain	1		
24-23	132-25366-01	CLUTCH, hub	1		

Fig. 24 REAR WHEEL

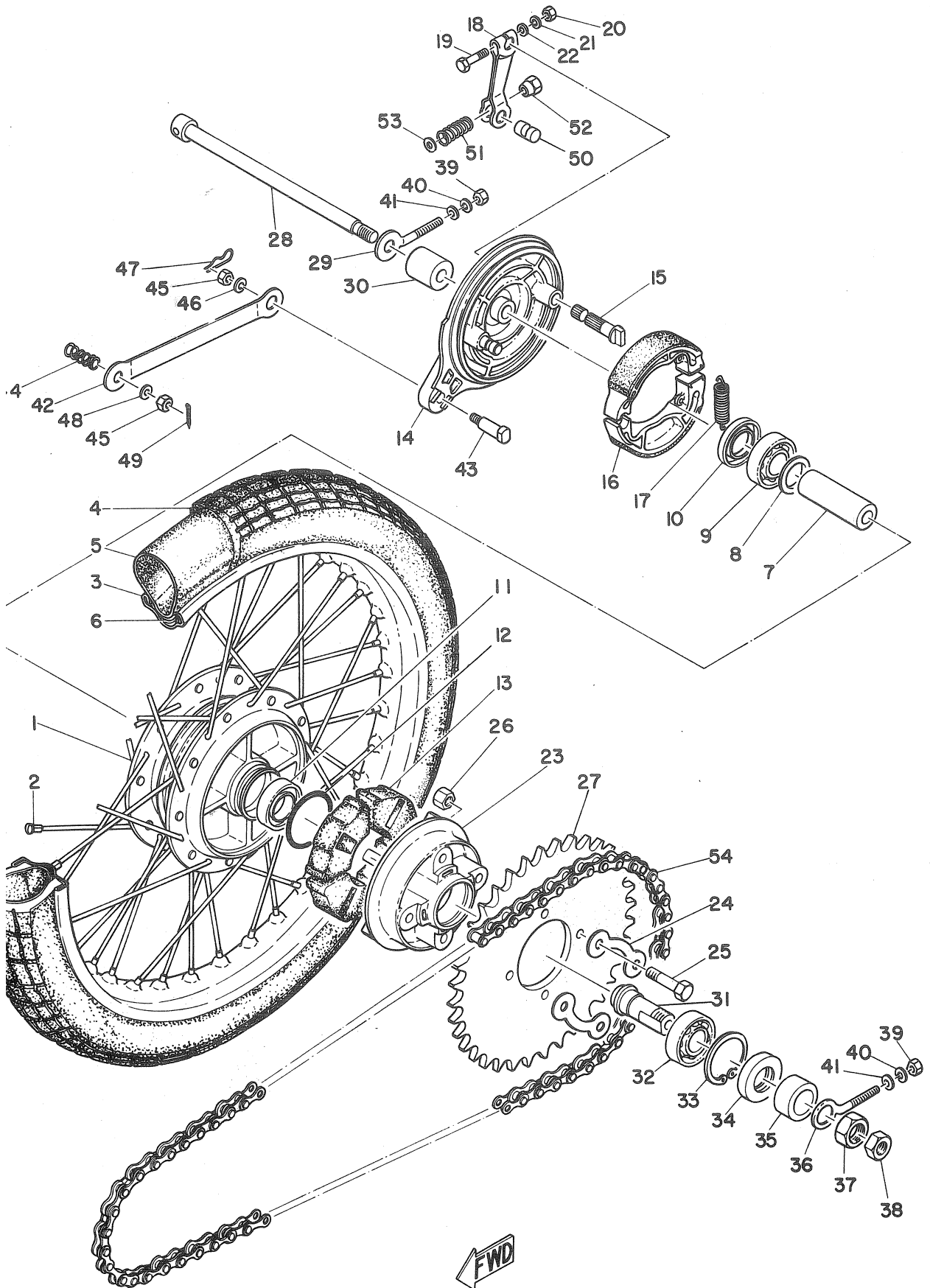
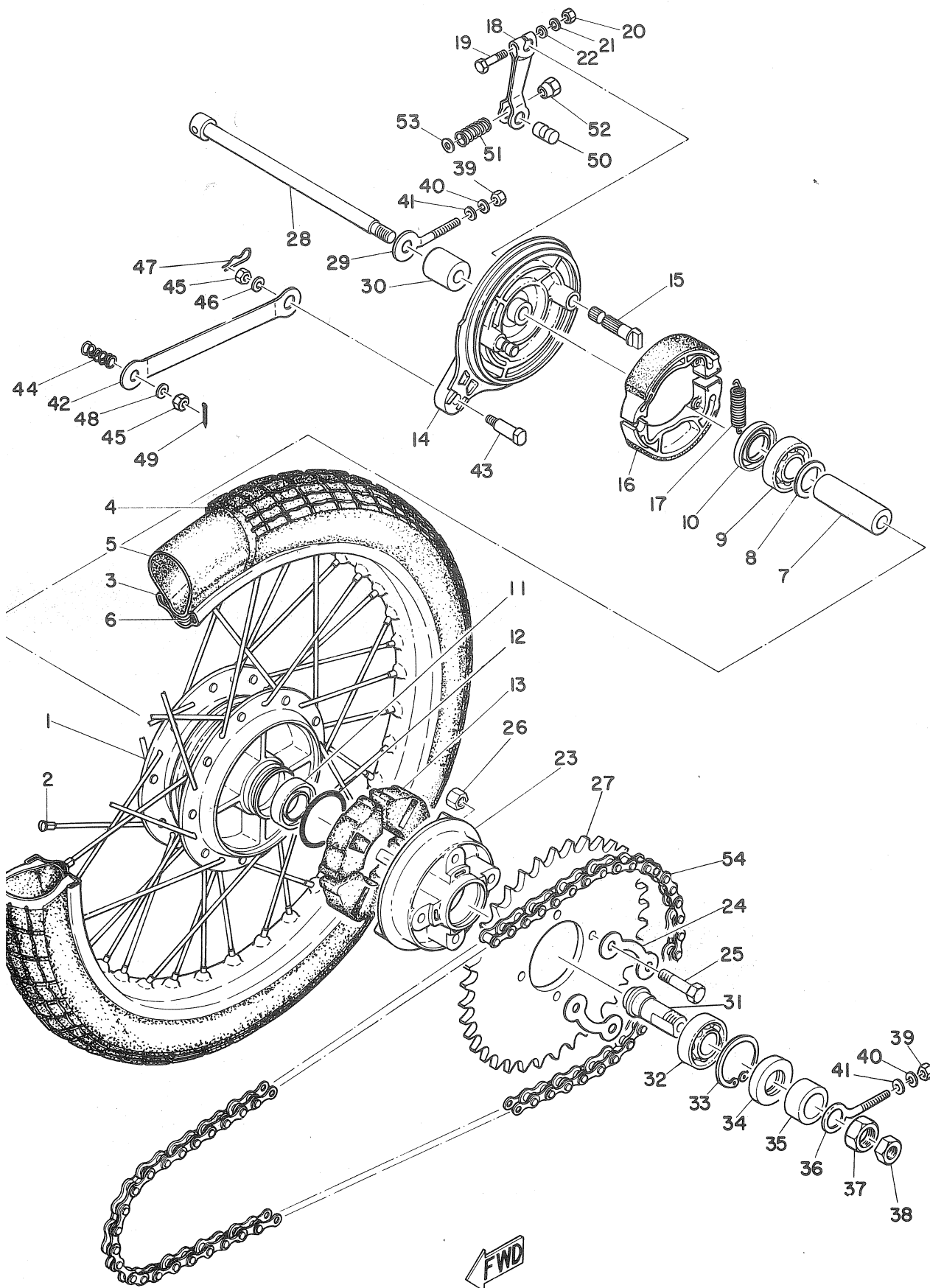




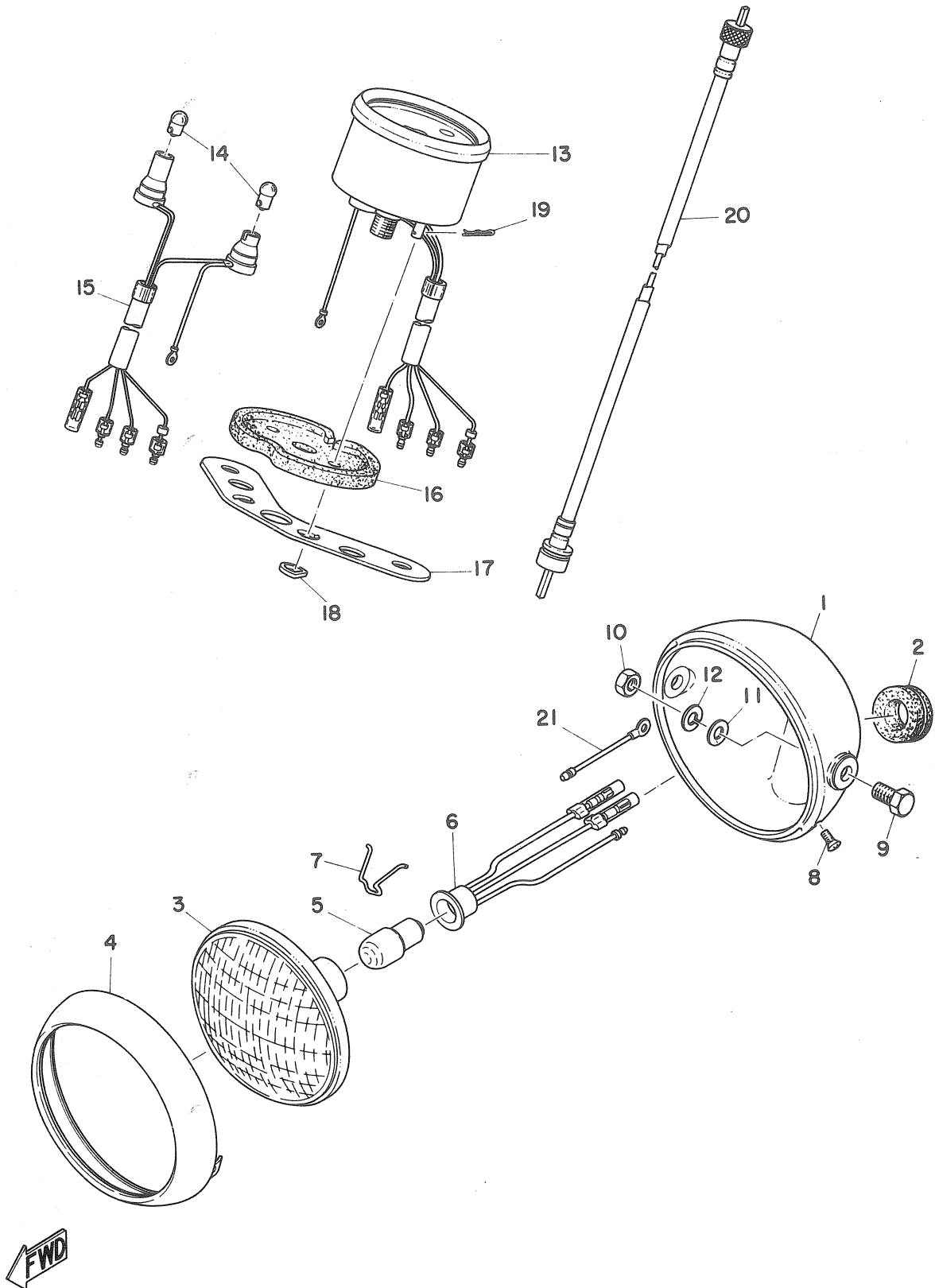
Fig. 24 REAR WHEEL



## REAR WHEEL

Ref. No.	Parts No.	Description	Q'ty	Applicable Machine No.	Remarks
24-46	92901-08100	WASHER, spring .....	1		
24-47	102-25375-00	CLIP, tension bar .....	1		
24-48	92901-08200	WASHER, plain .....	1		
24-49	91401-20012	PIN, cotter .....	1		
24-50	156-27237-00	PIN, clevis .....	1		
24-51	180-27236-00	SPRING, rod .....	1		
24-52	206-27238-00	NUT, adjusting .....	1		
24-53	92901-062000	WASHER, plain .....	1		
24-54	94504-20096	CHAIN (420-96L) .....	1		
24-54-1	94604-20001	. JOINT, chain .....	1		

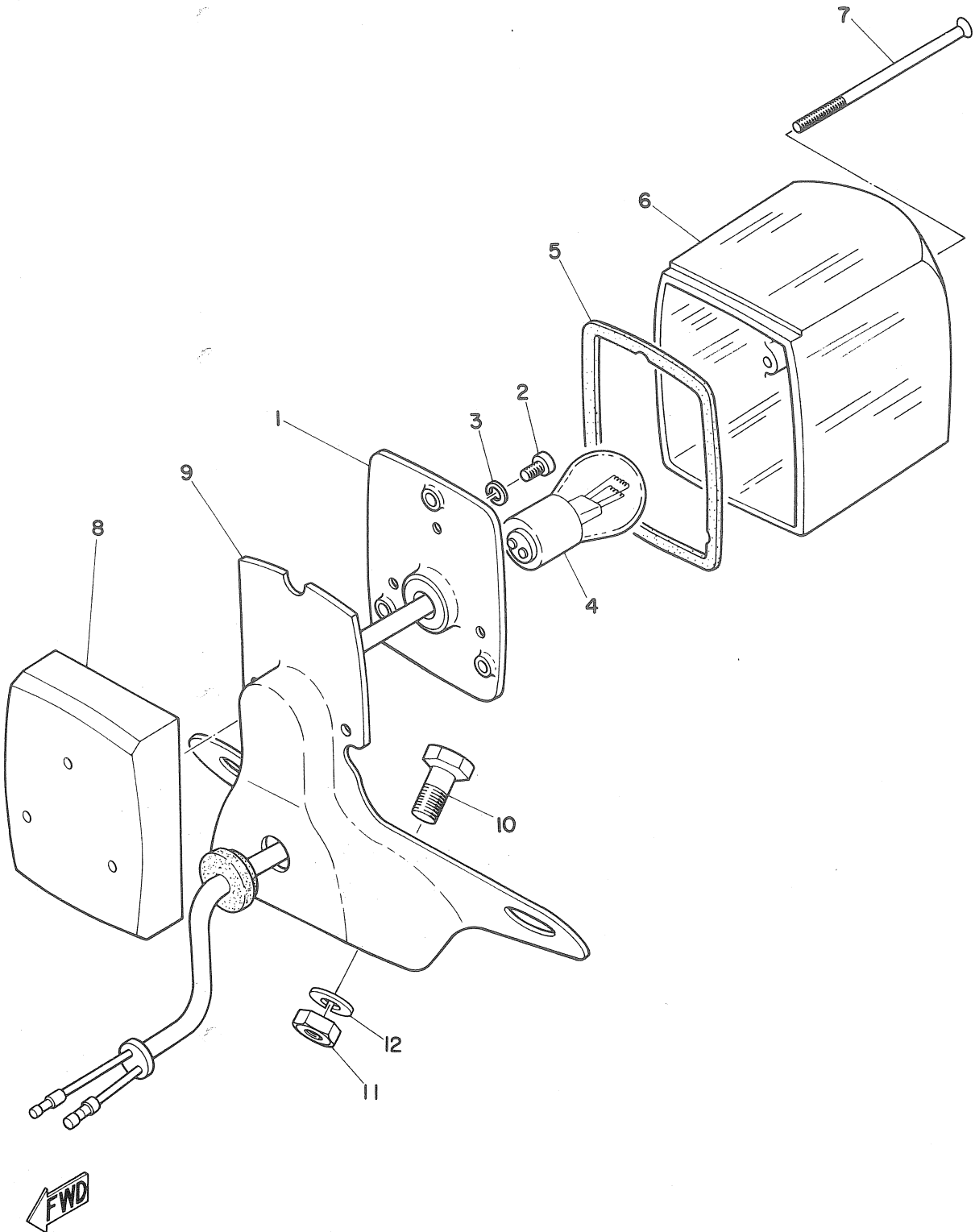
Fig. 25 HEAD LAMP · SPEEDOMETER



## HEAD LAMP · SPEEDOMETER

Ref. No.	Parts No.	Description	Q'ty	Applicable Machine No.	Remarks
25- 1	241-84330-00-71	BODY ASS'Y .....	1		Mandarin Ora
	241-84330-00-75	BODY ASS'Y .....	1		Marine Blue
25- 2	150-84153-00	. GROMMET .....	2		
25- 0-1	260-84110-00	HEAD LAMP UNIT ASS'Y .....	1		
25- 3	195-84320-00	. LENS ASS'Y .....	1		
25- 4	195-84315-01	. RIM, head lamp .....	1		
25- 5	104-84114-00	. BULB (6V-15WD) .....	1		
25- 6	241-84312-00	. SOCKET ASS'Y .....	1		
25- 7	195-84324-00	. SPRING, reflector set .....	3		
25- 8	195-84325-00	. SCREW, rim fitting .....	1		
25- 9	97203-08018	BOLT .....	2		
25-10	98801-08300	NUT .....	2		
25-11	92901-08200	WASHER, plain .....	2		
25-12	92901-08100	WASHER, spring .....	2		
25-13	260-83510-50	SPEEDOMETER ASS'Y .....	1		Km/h
25-14	122-83516-10	. BULB (6V3W) .....	2		
25-15	260-83520-11	. SOCKET ASS'Y .....	1		
25-16	237-83513-00	DAMPER .....	1		
25-17	260-83519-00-98	BRACKET, speedometer .....	1		Frosting Blac
25-18	214-83524-00	WASHER, special .....	2		
25-19	156-83525-00	CLIP .....	2		
25-20	260-83550-00	SPEEDOMETER CABLE ASS'Y ...	1		
25-21	173-84313-00	WIRE, earth .....	1		

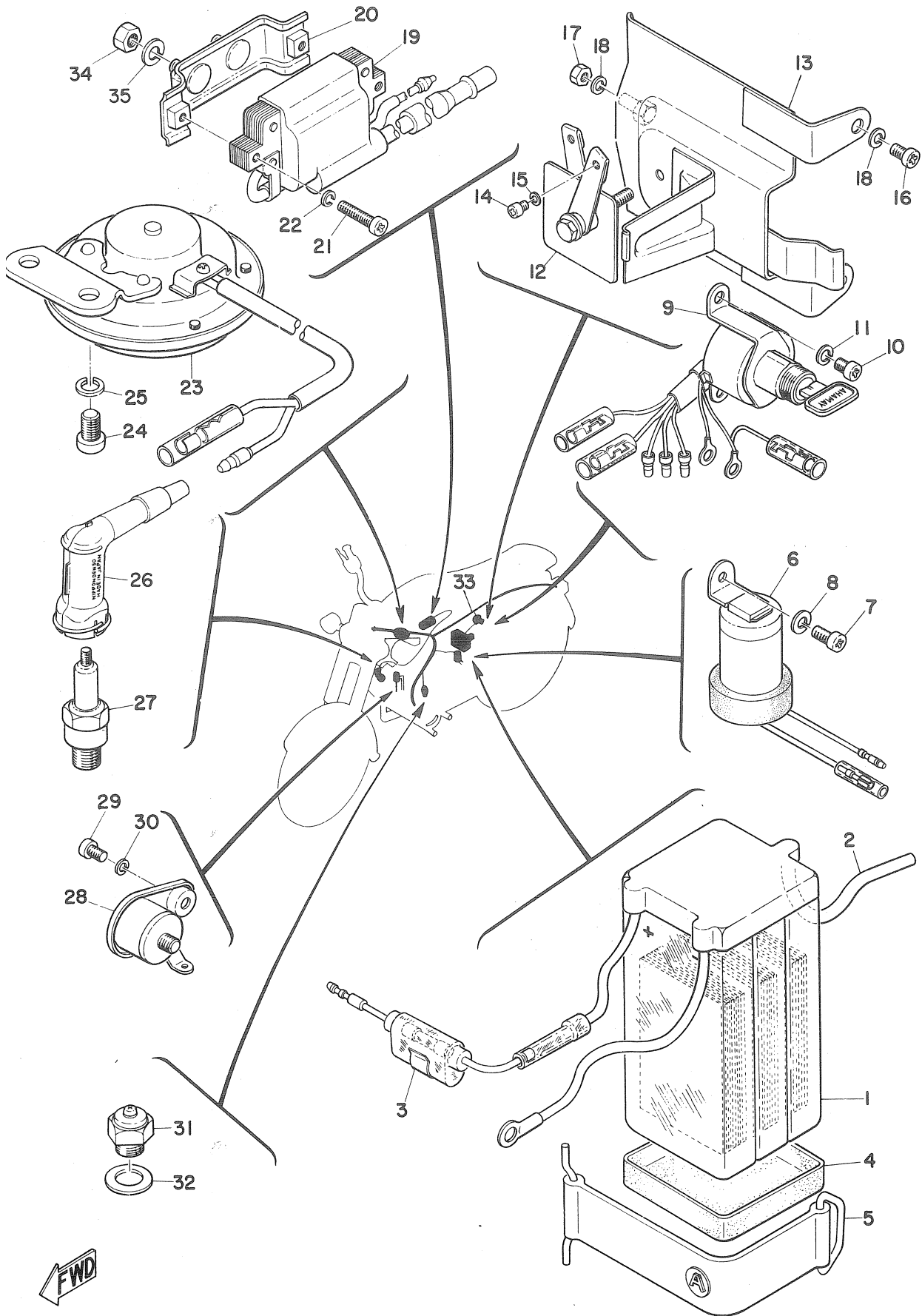
Fig. 26 TAIL LAMP



# TAIL LAMP

Ref. No.	Parts No.	Description	Q'ty	Applicable Machine No.	Remarks
26- 0-1	202-84510-00	TAIL LAMP UNIT ASS'Y .....	1		
26- 1	201-84711-00	. BASE, tail lamp .....	1		
26- 2	98501-04010	. SCREW, panhead .....	3		
26- 3	92901-04100	. WASHER, spring .....	3		
26- 4	122-84514-00	. BULB (6V-10/3W) .....	1		
26- 5	164-84723-00	. GASKET, tail lamp .....	1		
26- 6	164-84721-00	. LENS, tail lamp .....	1		
26- 7	201-84724-00	. SCREW, lens fitting .....	3		
26- 8	201-84716-00	. COVER, tail lamp .....	1		
26- 9	164-84751-00-35	BRACKET, licence .....	1		Silver
26-10	91201-06012	BOLT .....	3		
26-11	98801-06100	NUT .....	3		
26-12	92901-06100	WASHER, spring .....	3		

Fig. 27 ELECTRICAL



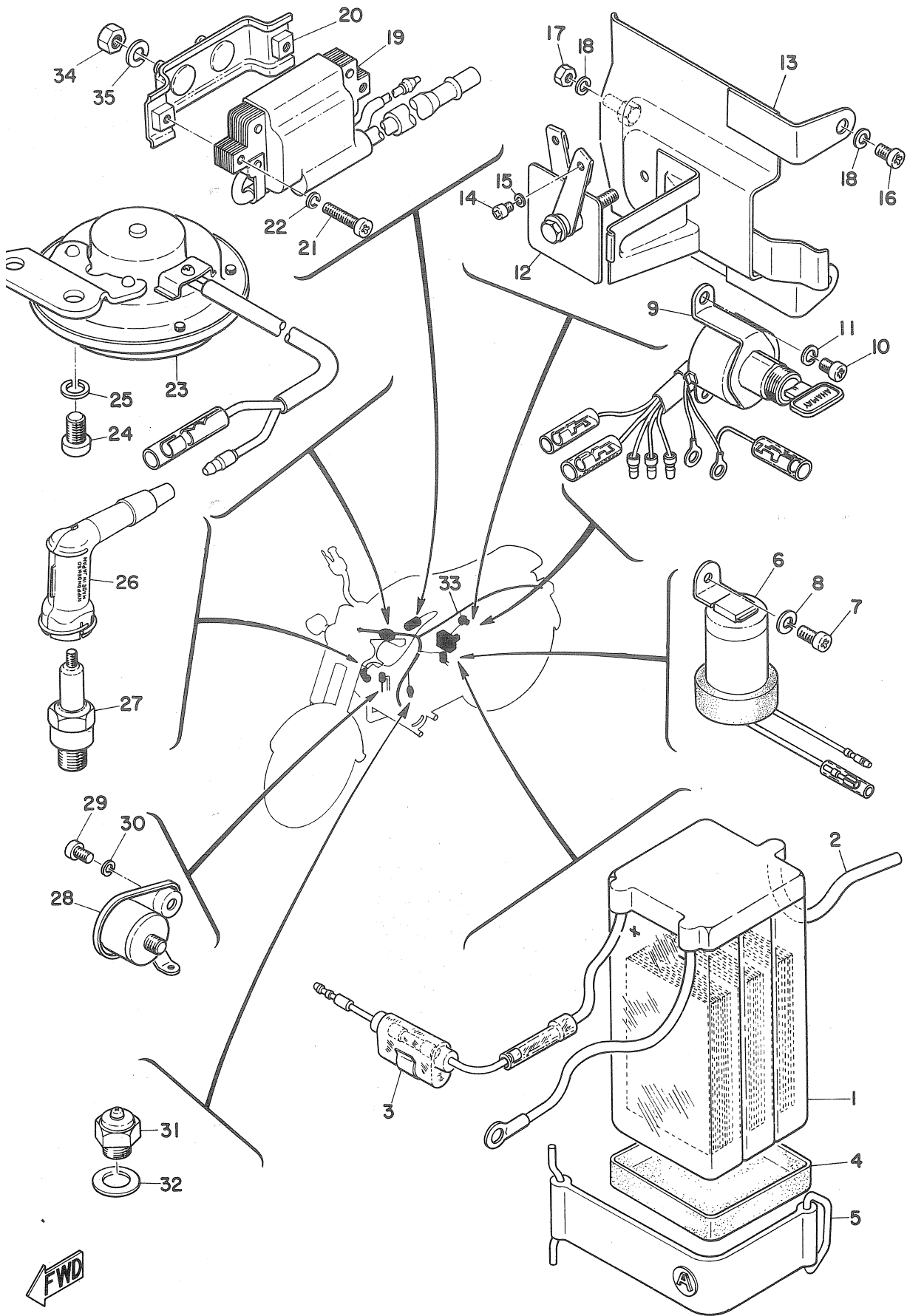
FWD

## ELECTRICAL

Ref. No.	Parts No.	Description	Q'ty	Applicable Machine No.	Remark
27- 1	104-82110-20	BATTERY ASS'Y .....	} U. R 1		FURUKAW YUASA
	104-82110-30	BATTERY ASS'Y .....			
27- 1-1	104-82111-20	. CAP, battery .....	3		
27- 2	123-82112-00	PIPE, breather .....	1		
27- 3	116-82150-00	FUSE HOLDER ASS'Y .....	1		
27- 3-1	116-82151-00	. FUSE (6V-10A) .....	2		
27- 4	104-82122-00	SEAT, battery .....	1		
27- 5	164-82131-00	BAND, battery .....	1		
27- 6	220-83350-10	FLASHER RELAY ASS'Y .....	1		
27- 7	92501-06012	SCREW, panhead .....	1		
27- 8	92901-06100	WASHER, spring .....	1		
27- 9	260-82508-20	MAIN SWITCH ASS'Y .....	1		
27-10	92501-06010	SCREW, panhead .....	2		
27-11	92901-06100	WASHER, spring .....	2		
27-12	127-81970-40	RECTIFIER ASS'Y .....	1		
27-13	220-81975-00	PLATE, rectifier fitting .....	1		
27-14	98501-04008	SCREW, panhead .....	2		
27-15	92901-04100	WASHER, spring .....	2		
27-16	92501-06008	SCREW, panhead .....	2		
27-17	98801-06100	NUT .....	1		
28-18	92901-06100	WASHER, spring .....	3		HITACHI
28-19	206-82310-30	IGNITION COIL ASS'Y .....	} U. R 1		MITSUBIS
	206-82310-40	IGNITION COIL ASS'Y .....			
28-20	206-82312-01	HOLDER, coil fitting .....	1		



Fig. 27 ELECTRICAL



FWD

## ELECTRICAL

Ref. No.	Parts No.	Description	Q'ty	Applicable Machine No.	Remark
27-21	98501-05020	SCREW, panhead .....	2		
27-22	92901-05100	WASHER, spring .....	2		
27-23	260-83371-10	HORN .....	1		
27-24	92501-06010	BOLT .....	2		
27-25	92901-06100	WASHER, spring .....	2		
27-26	808-82370-10	PLUG CAP ASS'Y .....	1		
27-27	94701-00039	PLUG, spark (B-6HS) .....	1		
27-28	122-82530-00	STOP SWITCH ASS'Y .....	1		
27-29	98501-05010	SCREW, panhead .....	1		
27-30	92901-05100	WASHER, spring .....	1		
27-31	136-82540-00	NEUTRAL SWITCH ASS'Y .....	1		
27-32	102-82543-00	GASKET .....	1		
27-33	260-82590-20	WIRE HARNESS ASS'Y .....	1		
27-34	98801-06100	NUT .....	2		
27-35	92901-06100	WASHER, spring .....	2		



# ALTERNATE PARTS

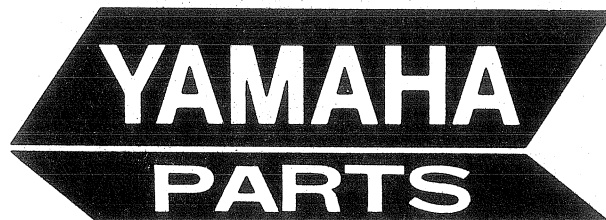
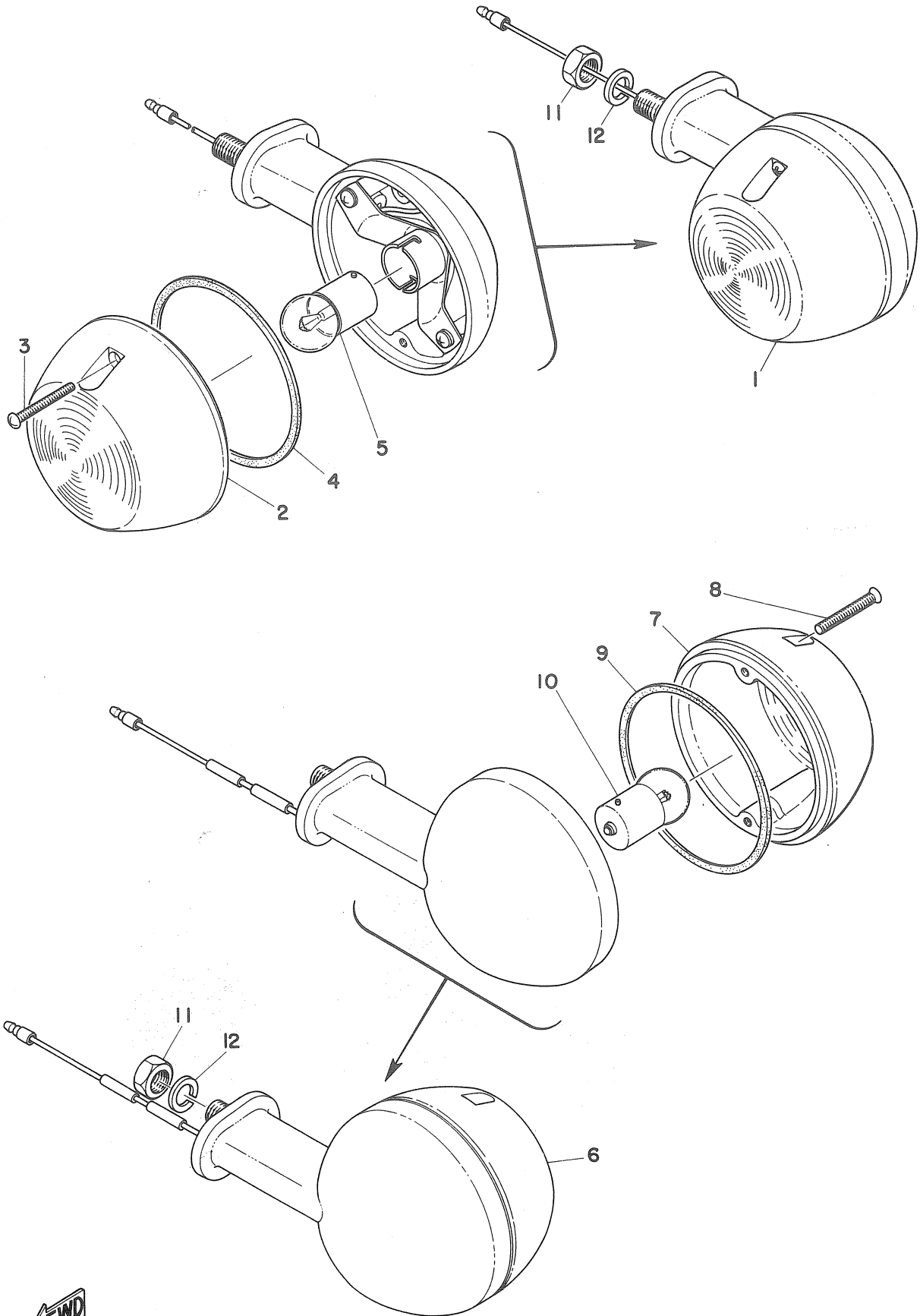


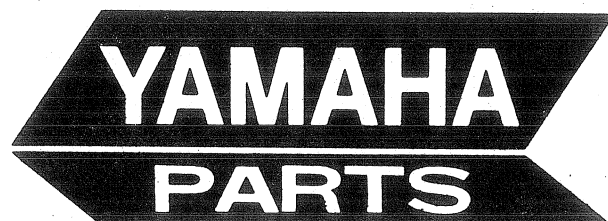
Fig. 28 FLASHER LAMP



## FLASHER LAMP

Ref. No.	Parts No.	Description	Q'ty	Applicable Machine No.	Remark
28- 1	260-83310-35-93	FRONT FLASHER LAMP ASS'Y ...	2		
28- 2	183-83332-20	. LENS, flasher .....	2		
28- 3	183-83333-21	. SCREW, lens fitting .....	4		
28- 4	183-83313-70	. GASKET, flasher lens .....	2		
28- 5	185-83311-10	. BULB, flasher (6V-8W) .....	2		
28- 6	206-83340-35-93	REAR FLASHER LAMP ASS'Y, left	1		
	206-83330-35-93	REAR FLASHER LAMP ASS'Y, right	1		
28- 7	183-83332-20	. LENS, flasher .....	2		
28- 8	183-83333-21	. SCREW, lens fitting .....	4		
28- 9	183-83313-70	. GASKET, flasher lens .....	2		
28-10	185-83311-10	. BULB, flasher (6V-8W) .....	2		
28-11	98801-08300	NUT .....	4		
28-12	92901-08100	WAHSER, spring .....	4		

# NUMERICAL INDEX



# NUMERICAL INDEX

Ref No.	Parts No.	Ref No.	Parts No.	Ref No.	Parts No.
21- 9	101-24356-00	3- 7	109-11631-02-97	9- 3	122-14412-00
1-13	102-11181-01	3- 7	109-11631-02-98	11- 2	122-14612-02
3- 8	102-11633-01	3- 7	109-11631-02-99	2-15	122-15486-00
14- 7	102-21714-00	3- 7	109-11635-12	8- 2	122-15612-02
14- 8	102-21718-00	3- 7	109-11636-22	4- 2	122-16164-00
15- 2	102-22123-00	18- 5	109-23125-00	4-14	122-16164-00
15- 3	102-22141-01	18- 8	109-23143-00	17- 4	122-21517-00
15-18	102-22243-00	18- 7	109-23145-00	15- 5	122-22151-00
21-12	102-24522-00	23- 2	109-25104-00	15-19	122-22243-00
21-16	102-24529-00	23- 1	109-25111-00	15-20	122-22244-00
23- 7	102-25117-00	23-12	109-25121-01	18-19	122-23114-00
23-25	102-25137-00	23-11	109-25135-00	18-23	122-23346-01
24- 8	102-25315-00	23-22	109-25136-00	19-13	122-23441-00
24- 7	102-25317-00	23-16	109-25155-00	19-12	122-23442-02
24-14	102-25321-00	20-32	109-26341-20	19-11	122-23443-00
23-15	102-25333-00	23-30	109-26344-00	19-10	122-23451-00
24-17	102-25333-00	23-31	109-26345-00	19- 8	122-23453-00
24-42	102-25371-00	16- 5	109-27115-00	21- 2	122-24181-00
24-43	102-25373-00	16-12	109-27216-00	21- 3	122-24182-01
24-44	102-25374-00	13-15	109-81328-10	21-11	122-24515-00
24-47	102-25375-00	20-15	109-82820-10	21-13	122-24521-00
24-30	102-25383-00	12-13	110-81346-20	21-17	122-24524-00
24-37	102-25385-01	13-12	110-81346-20	21-15	122-24531-00
24-35	102-25386-01	12- 8	110-81347-20	21-14	122-24532-00
24-31	102-25387-02	13- 8	110-81347-20	21-19	122-24534-00
24-29	102-25389-00	12- 4	110-81348-20	21- 5	122-24610-01
24-24	102-25412-00	13- 4	110-81348-20	24- 2	122-25304-00
27-32	102-82543-00	4- 9	116-16153-00	23-14	122-25330-00
12-11	104-81326-20	27- 3	116-82150-00	24-16	122-25330-00
12-16	104-81328-20	27- 3-1	116-82151-00	23-13	122-25351-01
27- 1	104-82110-20	20-14	116-83931-00	24-15	122-25351-01
27- 1	104-82110-30	8-15	117-15644-00	24-18	122-25355-00
27- 1-1	104-82111-20	10-16	118-14116-02	24-27	122-25443-10
27- 4	104-82122-00	1-19	120-15371-00	16- 2	122-27112-00
25- 5	104-84114-00	15-11	120-27430-02	16- 6	122-27116-00
1-11	109-11351-00	15-12	120-27433-00	16- 8	122-27413-00
1-10	109-11361-00	12- 7	120-81321-20	27-28	122-82530-00
3- 7	109-11631-02-01	12-12	120-81331-20	25-14	122-83516-10



# NUMERICAL INDEX

Ref No.	Parts No.	Ref No.	Parts No.	Ref No.	Parts No.
26- 4	122-84514-00	8- 3	132-15625-01	20-10	137-83941-01
27- 2	123-82112-00	5-29	132-15653-00-10	20-12	137-83944-00
1-15	126-11171-00	5-29	132-15653-00-12	20-11	137-83945-00
3- 3	126-11651-00	5-29	132-15653-00-14	14- 9	141-21717-00
2-23	126-13116-00	8-12	132-15665-00	23-21	141-25138-00
10- 8	127-14123-00	8-11	132-15676-00	3-23	146-11545-00
10-25	127-14124-20	2- 3	132-16346-00	6- 6	150-18328-00
10-26	127-14124-20	7-10	132-18113-01	20-25	150-26249-00
10-30	127-14125-01	7- 2	132-18123-00	25- 2	150-84153-00
10-27	127-14133-00	7- 3	132-18124-00	8- 6	156-15618-01
10- 9	127-14134-00	7- 4	132-18133-00	21- 8	156-21766-00
10-13	127-14135-00	7- 7	132-18137-00	19- 1	156-23411-00
10-19	127-14136-00	6-16	132-18140-00	19- 2	156-23412-00
10-18	127-14137-00	6-18	132-18143-00	24-50	156-27237-00
10- 1	127-14141-10	6-17	132-18177-00	25-19	156-83525-00
10- 2	127-14143-13	24- 1	132-25311-00	2-22	161-15426-00
10- 2	127-14143-14	24-13	132-25364-00	2- 5	164-15415-00
10- 2	127-14143-15	24-23	132-25366-01	4-24	164-15631-01
10- 2	127-14143-16	14-12	136-21713-00	3-17	164-16119-00
10-24	127-14161-00	19- 7	136-23415-00	6-12	164-18561-00
10-12	127-14171-00	20-23	136-26241-00	19- 5	164-23462-00
21-10	127-24500-00	27-31	136-82540-00	27- 5	164-82131-00
21-18	127-24535-00	10-33	137-14197-00	26- 6	164-84721-00
24-36	127-25388-00	5-20	137-15643-00	26- 5	164-84723-00
27-12	127-81970-40	4- 7	137-16333-00	26- 9	164-84751-00-35
23-27	128-25181-00	4- 8	137-16337-01	12-17	165-81145-21
23-28	128-25183-00	4-10	137-16356-00	13-16	165-81145-21
20-27	128-26278-00	3-18	137-16377-00	12- 6	166-81332-20
2-25	129-15489-10	4-11	137-16377-00	10-29	167-14119-00
21- 6	129-24161-00	4-12	137-16378-00	10-28	167-14121-00
21- 4	129-24183-00	20-24	137-26242-60	20-35	169-26251-00
4- 5	131-16321-00	20-26	137-26243-60	25-21	173-84313-00
3- 9	132-11634-00	20-34	137-26331-30	6-10	174-18544-00
11- 1	132-14613-00	20- 2	137-82710-10	22- 2	174-24741-00
1-17	132-15351-00	20- 6	137-83912-01	1-21	180-13554-00
1-18	132-15353-00	20- 8	137-83913-01	8-16	180-15641-00
8- 4	132-15616-01	20-21	137-83913-01	8- 8	180-15660-00
8- 5	132-15617-00	20-19	137-83922-01	8-17	180-15687-00

# NUMERICAL INDEX

Ref No.	Parts No.	Ref No.	Parts No.	Ref No.	Parts No.
14- 2	180-21483-00	18- 4	207-23124-00	18-25	256-83329-00
15- 6	180-22117-00	18- 4-1	207-23134-00	1-14	257-11111-01-94
24-28	180-25381-00	18-10	207-23141-00	1-12	257-11311-00
16-11	180-27231-01	18- 3	207-23147-00	3- 0-1	257-11400-01
24-51	180-27236-00	18-15	207-23163-00	3- 1	257-11412-01
19- 3	183-23411-00	24-25	207-25411-00	3- 2	257-11422-00
19- 4	183-23412-00	16- 1	207-27111-00	3- 5	257-11681-00
20- 1	183-26111-20	14-16	207-28100-10	3-14	257-13515-00
28- 4	183-83313-70	13- 2	207-81312-10	10-32	257-14197-00
28- 9	183-83313-70	12- 2	207-81312-20	9- 1	257-14401-00-35
28- 2	183-83332-20	13- 3	207-81313-10	9- 8	257-14417-00
28- 7	183-83332-20	12- 3	207-81313-20	9- 2	257-14451-00
28- 3	183-83333-21	13- 7	207-81321-10	9- 6	257-14454-00
28- 8	183-83333-21	13-11	207-81326-10	1- 1	257-15111-01
19- 9	185-23435-00-98	13-14	207-81331-10	1- 2	257-15121-01
28- 5	185-83311-10	13- 1	207-81350-10	5-30	257-15389-00
28-10	185-83311-10	14-11	209-21724-00	2- 1	257-15410-01
25- 4	195-84315-01	18-12	209-23142-40	2-16	257-15413-00
25- 3	195-84320-00	18- 6	209-23150-40	4-23	257-15417-01
25- 7	195-84324-00	11- 5	209-27118-00	2- 9	257-15421-01
25- 8	195-84325-00	3-22	214-11557-01	2-21	257-15433-00
18-11	196-23191-40	25-18	214-83524-00	2-10	257-15451-00
5-19	201-15653-00	14- 6	220-21711-00-71	2-17	257-15463-00
26- 1	201-84711-00	14- 6	220-21711-00-75	8- 0-1	257-15610-01-91
26- 8	201-84716-00	15- 1	220-22110-00-35	8- 1	257-15611-00
26- 7	201-84724-00	15-14	220-22210-00-71	5-21	257-15651-00
26- 0-1	202-84510-00	15-14	220-22210-00-75	8-18	257-15668-00
24-52	206-27238-00	15-21	220-22210-20	3-16	257-16111-00
15-13	206-27436-00	15-15	220-22242-00	3-15	257-16136-00
27-19	206-82310-30	15-16	220-22251-00	4- 1	257-16150-00
27-19	206-82310-40	27-13	220-81975-00	4-13	257-16181-00
27-20	206-82312-01	27- 6	220-83350-10	4- 0-1	257-16301-00
28- 6	206-83330-35-93	18-13	232-23122-60	4- 4	257-16324-00
28- 6	206-83340-35-93	18-14	232-23132-60	4-20	257-16341-00
15- 8	207-22331-00	25-16	237-83513-00	4-17	257-16342-00
18-20	207-23112-00	25- 6	241-84312-00	4-22	257-16343-00
18-16	207-23116-01	25- 1	241-84330-00-71	2- 2	257-16345-00
18- 9	207-23117-00	25- 1	241-84330-00-75	4- 6	257-16351-00

# NUMERICAL INDEX

Ref No.	Parts No.	Ref No.	Parts No.	Ref No.	Parts No.
4-16	257-16357-00	14- 1	260-21110-00-33	9- 7	283-14453-00
4- 3	257-16371-00	17- 1	260-21510-00-93	14-14	283-21717-00
5- 4	257-17121-00	17- 5	260-21610-00-93	14-10	283-21721-00-71
5- 2	257-17131-01	14-17	260-21787-01	14-10	283-21721-00-75
5- 5	257-17141-00	15- 7	260-22311-00-35	20-31	283-26311-20
5-16	257-17211-00	18- 0-1	260-23100-90-02	11- 6	283-27114-00
5-17	257-17219-00	18- 0-1	260-23100-90-03	2-20	288-14455-00
5-13	257-17221-01	18-21	260-23111-40	2-19	288-14481-01
5-15	257-17231-00	18-17	260-23121-40-71	3-10	290-11601-00
5-11	257-17241-00	18-17	260-23121-40-75	3-10	290-11601-10
5-12	257-17258-00	18- 1	260-23126-40-35	3-10	290-11601-20
5- 1	257-17411-01	18-18	260-23131-40-71	1-20	304-15373-00
5- 3	257-17414-00	18-18	260-23131-40-75	8-13	304-15664-00
5-14	257-17414-00	18- 2	260-23136-40-35	2-14	315-15362-00
5-10	257-17421-01	18-24	260-23318-40	1-22	347-13551-00
5- 8	257-17471-01	18-22	260-23340-40-33	10- 0-1	347-14101-60
7- 1	257-18101-00	19-19	260-23480-00	5-26	347-17451-90
7- 9	257-18111-00	21- 1	260-24110-00-03	5-25	347-17462-00
6- 3	257-18512-01	21- 1	260-24110-00-04	5-28	347-17463-00
6-19	257-18531-00	22- 1	260-24770-00-71	5-27	347-17464-00
6- 1	257-18534-00	22- 1	260-24770-00-75	14-15	348-21787-00
6- 7	257-18541-61	22- 1-1	260-24771-00	27-26	808-82370-10
6- 4	257-18552-00	22- 7	260-24786-00	8- 7	91101-06020
6-15	257-18589-00	22- 7	260-24786-10	19-14	91103-06035
16- 3	257-27211-00	20-33	260-26335-20	22- 3	91201-06012
13- 0-1	257-81300-10	16- 7	260-27411-00	26-10	91201-06012
12- 0-1	257-81300-20	27- 9	260-82508-20	7-11	91201-06020
13- 6	257-81332-10	27-33	260-82590-20	23-17	91201-06030
12- 1	257-81350-20	28- 1	260-83310-35-93	24-19	91201-06030
6- 2	259-18511-01	27-23	260-83371-10	9- 4	91201-06187
10-14	260-14114-00	25-13	260-83510-50	10-15	91401-12008
10-20	260-14131-00	25-17	260-83519-00-98	16-13	91401-20012
10-10	260-14142-25	25-15	260-83520-11	24-49	91401-20012
10-21	260-14158-01	25- 0-1	260-84110-00	14-13	91401-50075
10- 6	260-14181-00	20-36	266-26290-00	2- 4	91810-02015
10- 4	260-14184-00	20-37	266-26290-10	2-11	91810-02015
10- 3	260-14185-00	3-13	283-13512-00	1- 3	91810-05016
10-11	260-14190-12	10-17	283-14112-25	20-28	92501-06008

## NUMERICAL INDEX

Ref No.	Parts No.	Ref No.	Parts No.	Ref No.	Parts No.
27-16	92501-06008	27-30	92901-05100	3-12	93102-20009
27-10	92501-06010	18-27	92901-05200	5-24	93102-25017
27-24	92501-06010	17- 7	92901-06100	1-23	93103-28012
5- 9	92501-06012	19-15	92901-06100	23-23	93104-07003
27- 7	92501-06012	20-29	92901-06100	24-10	93104-21016
1-27	92501-06015	23-19	92901-06100	23- 9	93106-20001
2-18	92501-06018	24-21	92901-06100	24-34	93106-30004
10- 7	92501-06018	24-40	92901-06100	23-10	93107-42001
1- 4	92501-06030	26-12	92901-06100	4-18	93108-15001
2-12	92501-06030	27- 8	92901-06100	8- 9	93109-15001
2- 8	92501-06040	27-11	92901-06100	1-24	93210-12014
2-13	92501-06040	27-18	92901-06100	23-24	93210-14104
1- 5	92501-06045	27-25	92901-06100	1-25	93210-23029
2- 7	92501-06045	27-35	92901-06100	24-12	93210-41041
1- 6	92501-06050	1-16	92901-06200	10- 5	93220-08022
1- 9	92501-06055	17- 8	92901-06200	24-32	93306-00406
1- 7	92501-06060	20-13	92901-06200	23- 8	93306-20204
1- 8	92501-06065	20-30	92901-06200	5- 7	93306-20303
10-22	92901-04100	22- 4	92901-06200	3-24	93306-20412
12- 5	92901-04100	23-20	92901-06200	24- 9	93306-30101
12- 9	92901-04100	24-22	92901-06200	24-11	93306-30103
12-14	92901-04100	24-41	92901-06200	3-11	93306-30302
12-18	92901-04100	24-53	92901-06200	5-23	93306-30305
13- 5	92901-04100	9-13	92901-08100	3- 6	93310-11202
13- 9	92901-04100	11- 4	92901-08100	3- 4	93310-41810
13-13	92901-04100	14- 5	92901-08100	5- 6	93410-13004
13-17	92901-04100	16-10	92901-08100	5-18	93410-13004
26- 3	92901-04100	17- 3	92901-08100	5-22	93410-13004
27-15	92901-04100	24-46	92901-08100	8-10	93410-15005
12-10	92901-04200	25-12	92901-08100	8-14	93410-25017
12-15	92901-04200	28-12	92901-08100	24-33	93420-42007
13-10	92901-04200	22- 5	92901-08200	6-11	93430-03014
6-14	92901-05100	24-48	92901-08200	6- 5	93430-08006
15-10	92901-05100	25-11	92901-08200	7- 8	93430-10016
18-26	92901-05100	19-17	92901-10100	16- 4	93430-12008
20- 5	92901-05100	19-18	92901-10200	6- 8	93440-32017
20-18	92901-05100	3-21	92901-12100	4-15	93501-04011
27-22	92901-05100	7- 6	93101-12004	19- 6	93501-04011

## NUMERICAL INDEX

Ref No.	Parts No.	Ref No.	Parts No.	Ref No.	Parts No.
4-19	93503-16003	20- 7	98503-05025		
3-19	93603-08067	20-20	98503-05025		
1-26	93604-14012	19-20	98601-05012		
6- 9	93604-22050	12-19	98701-05015		
23-26	93700-06001	13-18	98701-05015		
23- 4	94122-17008	7- 5	98800-08100		
24- 4	94125-17012	20- 9	98801-05100		
23- 5	94222-17003	20-22	98801-05100		
24- 5	94225-17005	10-31	98801-05200		
23- 6	94322-17002	23-18	98801-06100		
24- 6	94325-17004	24-20	98801-06100		
23- 3	94412-17002	24-39	98801-06100		
24- 3	94414-17003	26-11	98801-06100		
24-54	94504-20096	27-17	98801-06100		
24-54-1	94604-20001	27-34	98801-06100		
27-27	94701-00039	4-21	98801-06300		
17- 6	97101-06015	9-12	98801-08100		
9-11	97101-08080	11- 3	98801-08100		
9-10	97101-08095	14- 4	98801-08100		
14- 3	97101-08095	22- 6	98801-08100		
17- 2	97201-08012	24-26	98801-08200		
16- 9	97201-08015	24-45	98801-08300		
25- 9	97203-08018	25-10	98801-08300		
2- 6	98501-04008	28-11	98801-08300		
9- 9	98501-04008	15- 4	98801-10100		
21- 7	98501-04008	19-16	98801-10100		
27-14	98501-04008	23-29	98801-10100		
10-23	98501-04010	24-38	98801-10100		
26- 2	98501-04010	3-20	98801-12200		
27-29	98501-05010	9- 5	98803-06700		
6-13	98501-05012	15-17	98803-10700		
2-24	98501-05015				
15- 9	98501-05020				
20- 3	98501-05020				
20-16	98501-05020				
27-21	98501-05020				
20- 4	98501-05025				
20-17	98501-05025				

Hr.YAMAHA knallertforhandler,

De bedes,i egen interesse,foretage følgende rettelser i  
Deres katalog over FS1K:

Skriv under REMARK rubrikken i højre side de numre der  
bærer betegnelsen H.L.(heavy load) ud for de numre der  
står som STD.

Heavy load betegnelsen står for tung last d.v.s. FS1K får  
en hårdere affjedring.

Iøvrigt taler fabrikkens brev for sig selv.

Dear Sirs,

We are pleased to announce to you that we will apply the suspension  
system for heavy load to FS1K shipment from May, as we notice that most  
of the motorcyclists in your country prefer riding with passengers.

The number and name of the new parts are as follows:

(FS1K)

<u>Parts Name</u>	<u>Parts No.</u>	<u>Q'ty</u>	<u>Remarks</u>
Front fork ass'y	260-23100-10	1	For H.L. (heavy load)
( " "	260-23100-90	1	STD)
Spring, fork	207-23141-10	1	For H.L.
( " "	207-23141-00	1	STD)
Seat, spring upper	209-23142-00	1	For H.L.
( " "	209-23142-40	1	STD)
Cover, outer right	209-23122-40	1	For H.L.
( " "	232-23132-60	1	STD)
Cover, outer left	209-23122-40	1	For H.L.
( " "	232-23122-60	1	STD)
* * * * *			
Rear cushion ass'y	260-22210-40	1	For H.L.
" "	220-22210-30	1	STD)

(Please note that the various parts of the Rear Cushion Ass'y (For H.L.  
& STD) are not available separately.

Med venlig hilsen

**FRANZ KROON**  
**MOTORCYKLER**  
NØRREBROGADE 2  
8000 AARHUS C. (06) 13 19 18