

**YAMAHA**

**PARTS LIST**

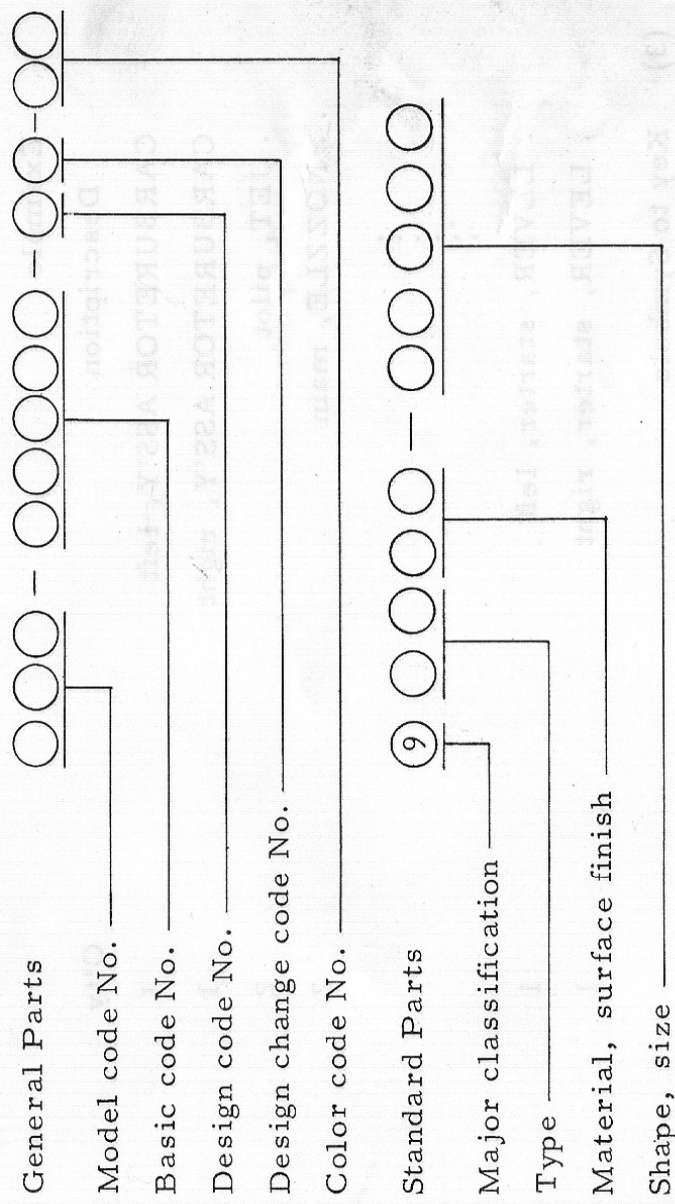
**MODEL FS1K('73)**

# FOREWORD

This Parts List relates to the parts in use for the Yamaha F51K. When you are ordering replacement parts for the F51K, refer to this Parts List and quote both part numbers and part names correctly.

## 1. Structure of Part No.

Yamaha parts are divided largely into two categories; general parts and standard parts, and each part No. has the following structure:



Note: Every standard No. begins with 9.

## 2. How to Use this Parts List

- (1) Except for steel balls (whose size is indicated in inches), the size of all parts is indicated in millimeters in the following manner.
  - Pipe (rubber or vinyl) . . . . Inside diameter - length
  - O-ring . . . . . Section area - inside diameter
  - Washer, shim, collar . . . . Inside diameter - outside diameter - thickness (length)
- (2) Parts, which are to be supplied in the form of assemblies, are listed with an indentation of one letter's space, and a dot (.) is put

against the name of each part. If any two different assemblies (e.g., right and left side components) consist of almost the same type components, these two assemblies are listed in two lines, and then the names of component parts are listed in the subsequent lines with an indentation as mentioned earlier. The quantity of parts is given in the following manner; that is, in the case of parts being the same in type between the right and left, a total quantity of parts is given. On the other hand, if the right and left side parts are different in type, the quantity of part(s) on each side is given.

Example	Description	Q'ty
	CARBURETOR ASS'Y, left	1
	CARBURETOR ASS'Y, right	1
.	JET, pilot	2
.	NOZZLE, main	2
.	LEVER, starter, left	1
.	LEVER, starter, right	1

(3) Key to Symbols

- U.R. . . . . Use size (thickness) and/or number as required
- T . . . . . Number of teeth in a gear
- V . . . . . Voltage for light bulbs
- S . . . . . "S" type oil seal or "S" type circlip
- SD . . . . . "SD" type oil seal
- SO . . . . . "SO" type oil seal
- SW . . . . . "SW" type oil seal
- E . . . . . "E" type circlip
- R . . . . . "R" type circlip

F/No. . . . . Frame No. (Applicable machine No.)

- (4) The right and left in relation to parts are determined on the basis of the rider facing toward the front.
- (5) This Parts List is based on the model in the production line on Aug., 20, 1972. Accordingly, if any modifications which have been made to parts will be announced in the Yamaha Parts News. It is advisable that according to the Yamaha Parts News, You will make necessary corrections to the Parts List on hand to keep it up-to dated.

# CONTENTS

## ENGINE

Fig. 1	Crankcase · Cylinder	1
Fig. 2	Crankcase Cover	3
Fig. 3	Crank · Piston	5
Fig. 4	Clutch	9
Fig. 5	Transmission	13
Fig. 6	Shifter 1	17
Fig. 7	Shifter 2	19
Fig. 8	Kick Starter	21
Fig. 9	Intake	23
Fig. 10	Carburetor	25
Fig. 11	Exhaust	29
Fig. 12	Flywheel Magneto (MITSUBISHI)	31
Fig. 13	Flywheel Magneto (HITACHI)	33

## CHASSIS

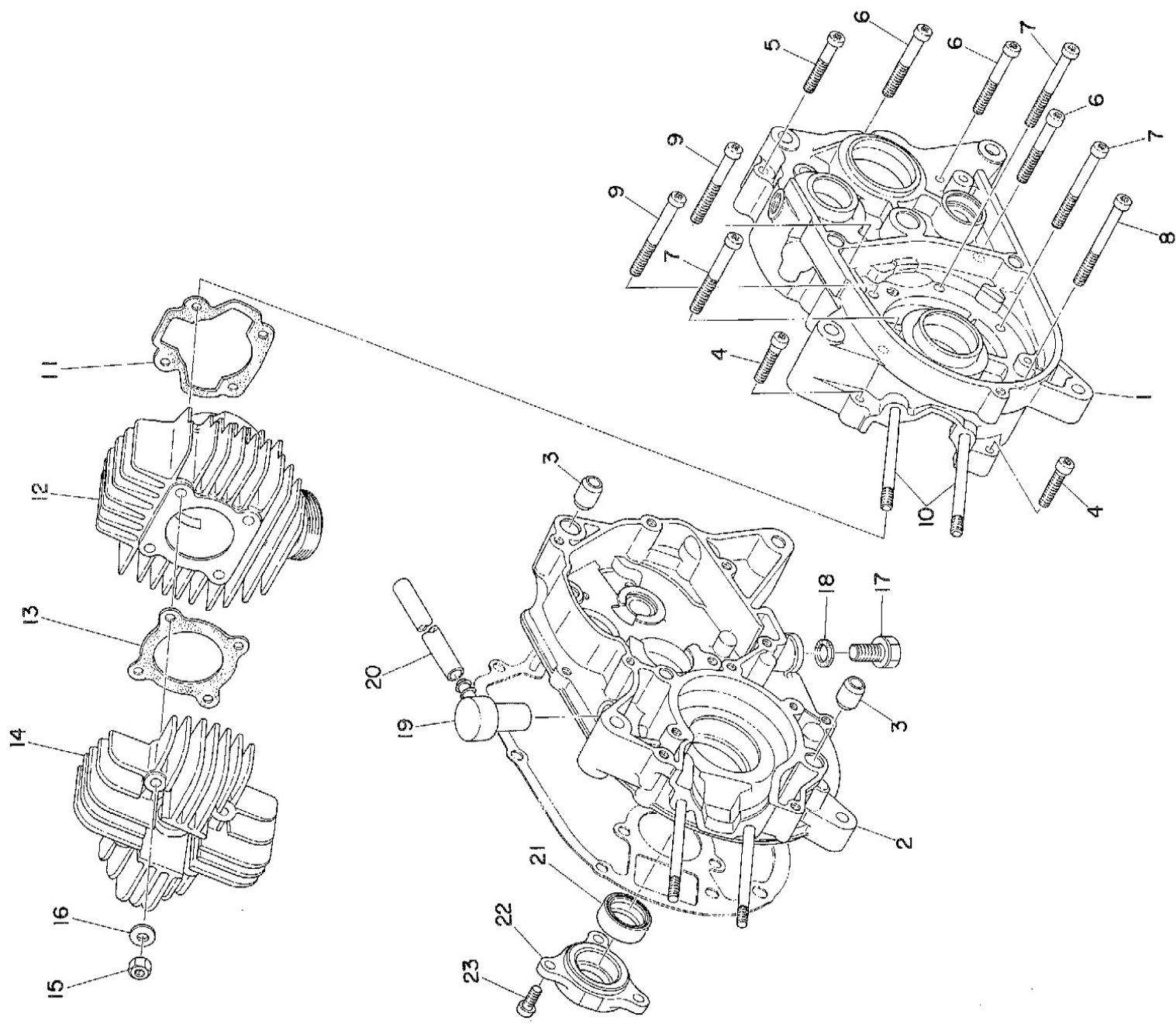
Fig. 14	Frame · Side Cover	37
Fig. 15	Rear Arm · Rear Cushion · Chain Case	39
Fig. 16	Stand · Footrest · Brake Pedal	43
Fig. 17	Front Fender · Rear Fender	45
Fig. 18	Front Fork	47
Fig. 19	Steering	51
Fig. 20	Handle · Wire	53
Fig. 21	Fuel Tank	57
Fig. 22	Seat	59
Fig. 23	Front Wheel	61
Fig. 24	Rear Wheel	65
Fig. 25	Head Lamp · Speedometer	71
Fig. 26	Tail Lamp	73



**ENGINE**



Fig. 1 CRANKCASE - CYLINDER



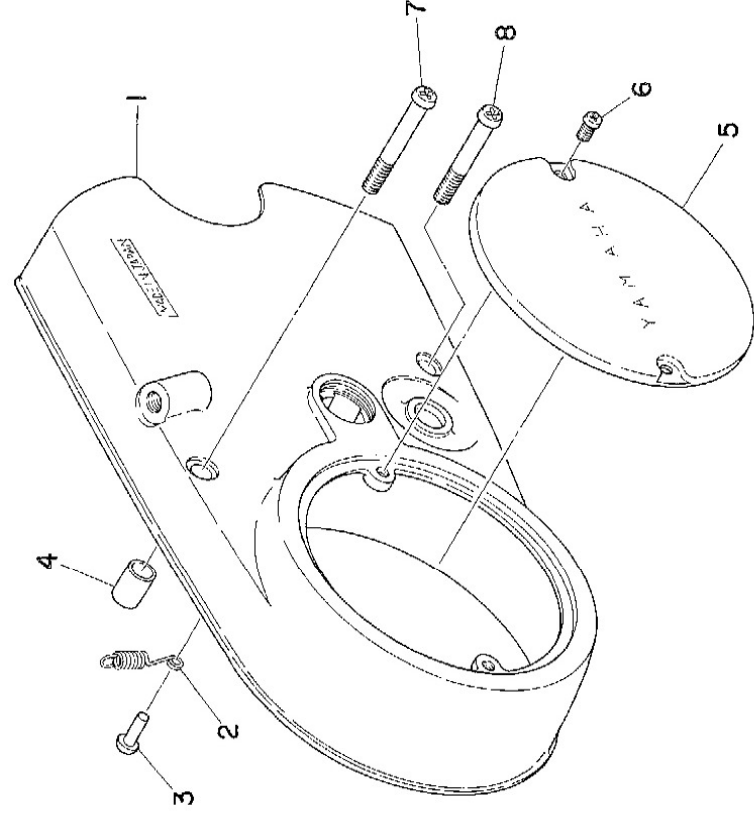
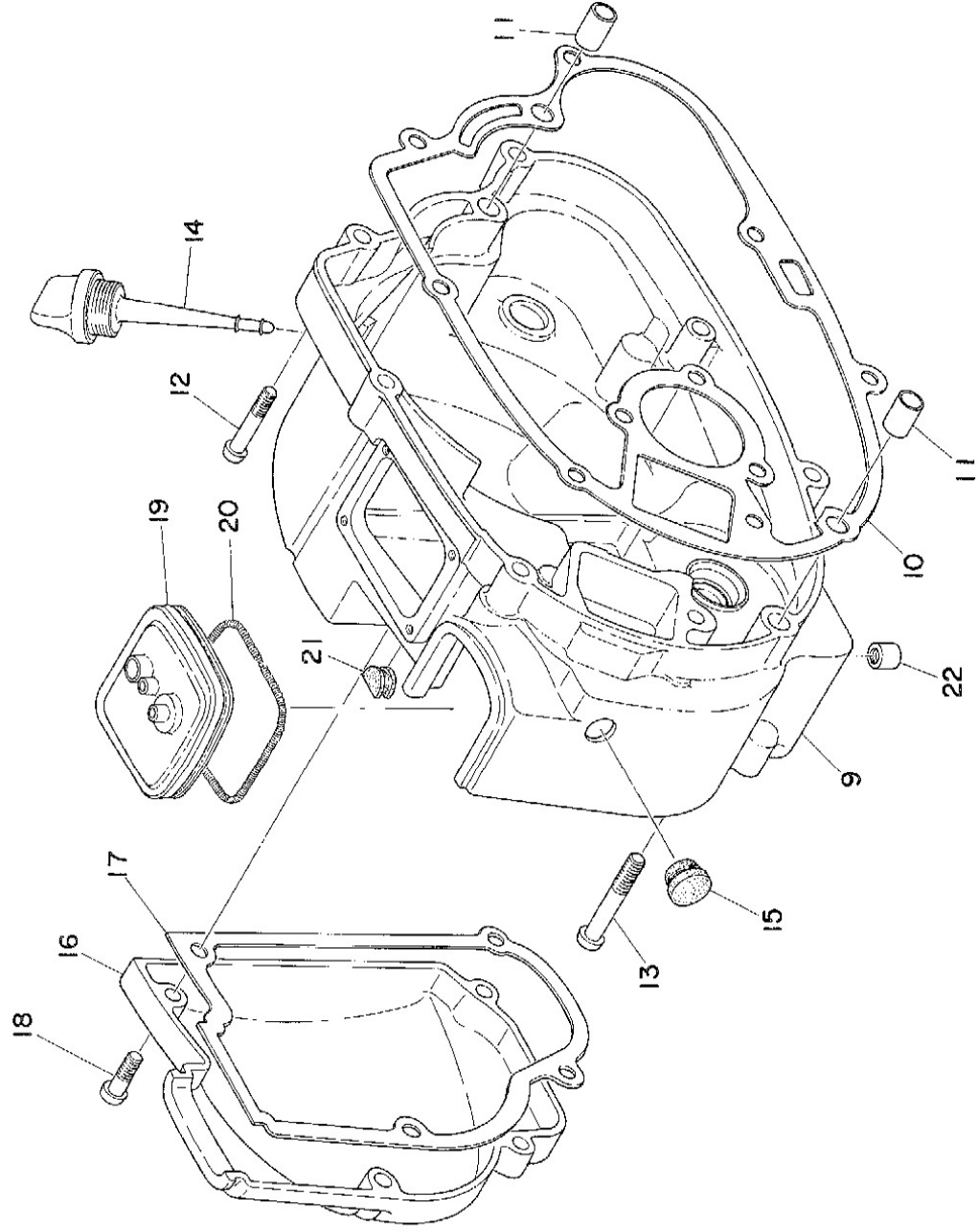
END



# CRANKCASE · CYLINDER

Ref. No.	Parts No.	Description	Qty	Applicable Machine No.	Remarks
1- 1	257-115111-01	CASE, crank left	1		
1- 2	378-115121-60	CASE, crank right	1		
1- 3	91810-05016	PIN, dowel (8.4-12-16)	2		
1- 4	92501-06030	SCREW, panhead	2		
1- 5	92501-06045	SCREW, panhead	1		
1- 6	92501-06050	SCREW, panhead	3		
1- 7	92501-06060	SCREW, panhead	3		
1- 8	92501-06065	SCREW, panhead	1		
1- 9	92501-06055	SCREW, panhead	2		
1-10	109-111361-00	BOLT, cylinder holding	4		
1-11	109-111351-00	GASKET, cylinder	1		
1-12	381-111311-60	CYLINDER	1		
1-13	381-111181-60	GASKET, cylinder head	1		
1-14	257-111111-01-94	HEAD, cylinder	1		
1-15	92801-06200	NUT, cylinder holding	4		
1-16	92901-06200	WASHER, plain	4		
1-17	132-15351-00	PLUG, drain	1		
1-18	132-15353-00	GASKET, drain plug (12.5-19-1.5)	1		
1-19	120-15371-00	BREATHER	1		
1-20	304-15373-00	PIPE, breather	1		
1-21	93103-25078	OIL SEAL (SW-25-35-10)	1		
1-22	378-15359-60	HOUSING, oil seal	1		
1-23	92501-06015	SCREW, panhead	3		

Fig. 2 CRANKCASE COVER

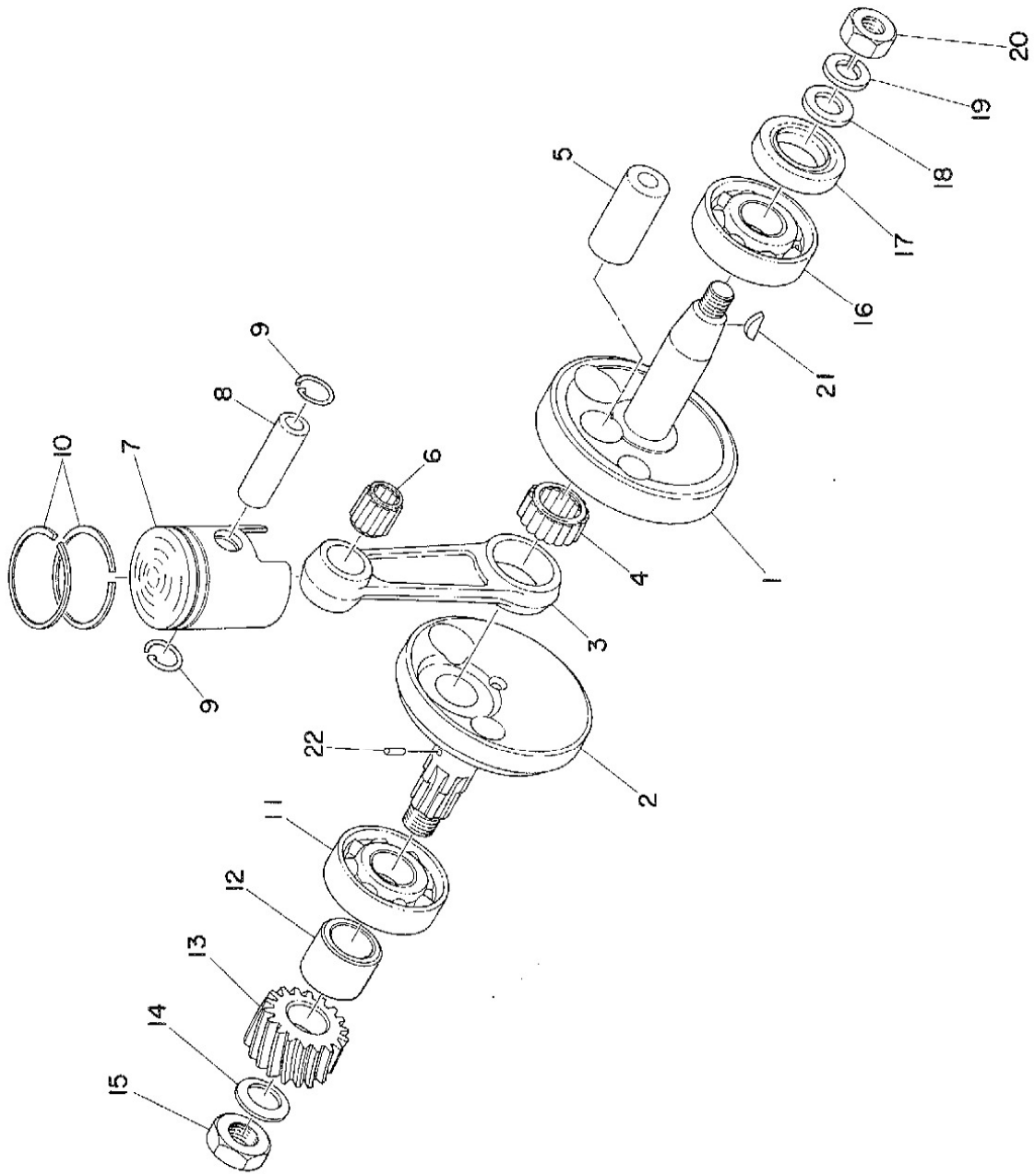


FWD

## CRANKCASE COVER

Ref. No.	Parts No.	Description	Q'ty	Applicable Machine No.	Remarks
2- 1	257-15410-01	CRANKCASE COVER ASSY, left ..	1		
2- 2	257-16345-00	. SPRING, lever return .....	1		
2- 3	132-16346-00	. HOOK, spring .....	1		
2- 4	91810-02015	PIN, dowel (6.4-10-15) .....	2		
2- 5	164-15415-00	COVER, generator .....	1		
2- 6	98501-04008	SCREW, panhead .....	2		
2- 7	92501-06045	SCREW, panhead .....	2		
2- 8	92501-06040	SCREW, panhead .....	1		
2- 9	378-15421-60	COVER, crankcase right .....	1		
2-10	378-15451-60	GASKET, crankcase cover .....	1		
2-11	91810-02015	PIN, dowel (6.4-10-15) .....	2		
2-12	92501-06030	SCREW, panhead .....	6		
2-13	92501-06040	SCREW, panhead .....	1		
2-14	315-15362-00	PLUG, oil level .....	1		
2-15	122-15486-00	GROMMET .....	1		
2-16	257-15413-00	COVER, carburetor .....	1		
2-17	257-15463-00	GASKET, carburetor cover .....	1		
2-18	92501-06018	SCREW, panhead .....	4		
2-19	288-14481-01	CAP, carburetor .....	1		
2-20	288-14455-00	BAND .....	1		
2-21	129-15489-10	GROMMET, pump wire .....	1		
2-22	257-15433-00	CLEANER, drain .....	1		

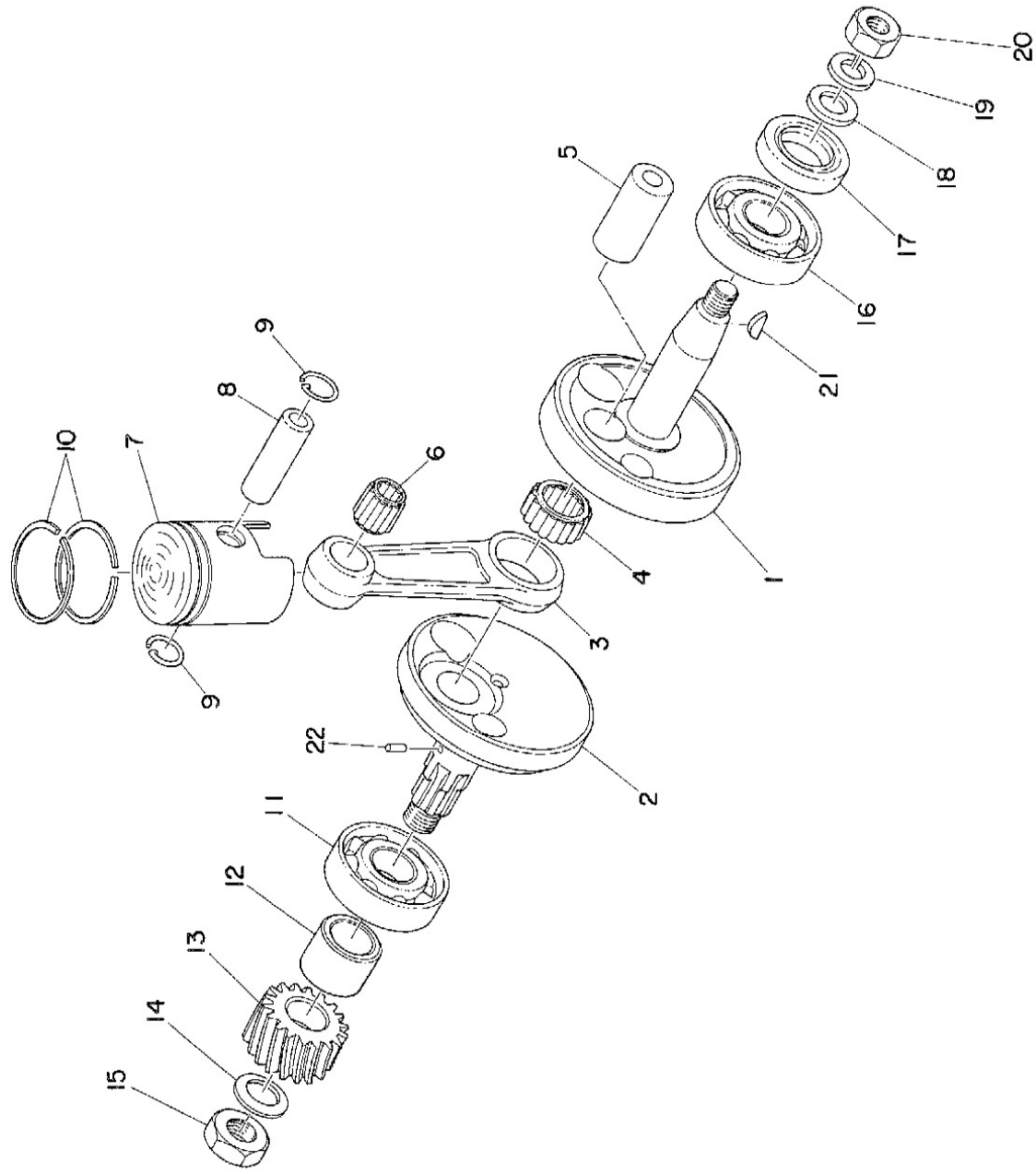
Fig. 3 CRANK · PISTON



# CRANK · PISTON

Ref. No.	Parts No.	Description	Qty	Applicable Machine No.	Remarks
3- 0-1	257-11400-01	CRANK ASS'Y	1		
3- 1	257-11412-01	CRANK, left	1		
3- 2	257-11422-00	CRANK, right	1		
3- 3	126-11651-00	ROD, connecting	1		
3- 4	93310-41810	BEARING, con-rod big end	1		
3- 5	257-11681-00	PIN, crank	1		
3- 6	93310-11202	BEARING, con-rod small end	1		
3- 7	109-11631-62-96	PISTON (39.97mm STD)	1		} U.R 1
3- 7	109-11631-62-98	PISTON (39.98mm STD)	1		
	109-11635-62	PISTON (40.25mm 1st O.S)	1		Alternate Parts
	109-11636-62	PISTON (40.50mm 2nd O.S)	1		Alternate Parts
3- 8	102-11633-01	PIN, piston	1		
3- 9	<del>24506-13072</del> 132-14634-00	CLIP, piston pin	2		
3-10	290-11601-00	PISTON RING SET (STD)	1s		
	290-11601-10	PISTON RING SET (1st O.S)	1s		Alternate Parts
	290-11601-20	PISTON RING SET (2nd O.S)	1s		Alternate Parts
3-11	93306-30302	BEARING (6303C3)	1		
3-12	378-16136-60	COLLAR, distance	1		
3-13	257-16111-00	GEAR, primary drive (19T)	1		
3-14	164-16119-00	SPRING, belleville	1		
3-15	137-16377-00	NUT, lock	1		
3-16	93306-20412	BEARING (6204C3)	1		
3-17	93102-20009	OIL SEAL (SD-20-35-7)	1		
3-18	214-11557-01	WASHER (12.2-22-2.9)	1		

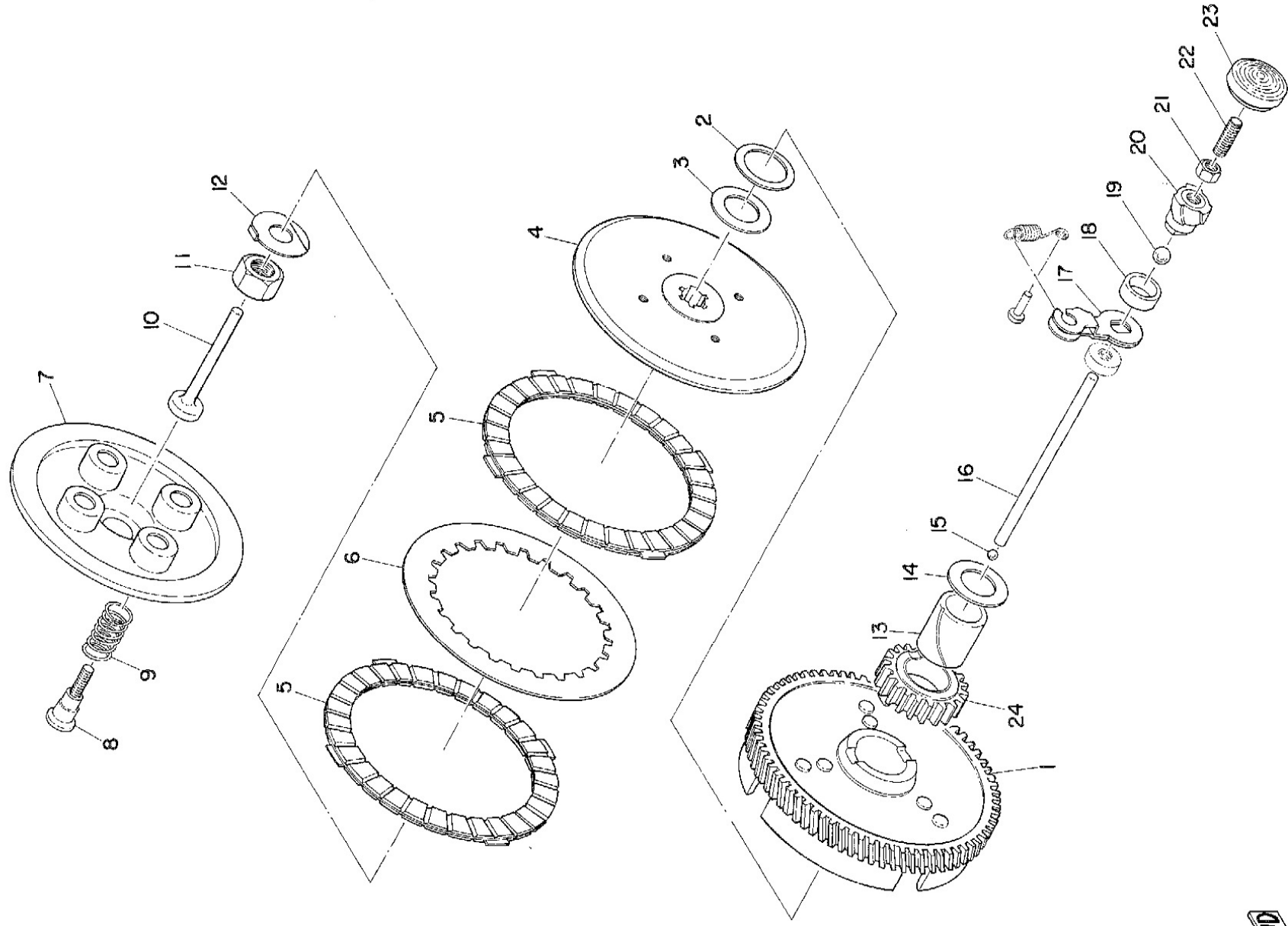
Fig. 3 CRANK · PISTON



# CRANK · PISTON

Ref. No.	Parts No.	Description	Q'ty	Applicable Machine No.	Remarks
3-19	92901-12100	WASHER, spring	1		
3-20	98801-12200	NUT <i>90175-12175</i>	1		
3-21	146-11545-00	KEY, woodruff	1		
3-22	93603-08067	PIN, dowel	1		

Fig. 4 CLUTCH



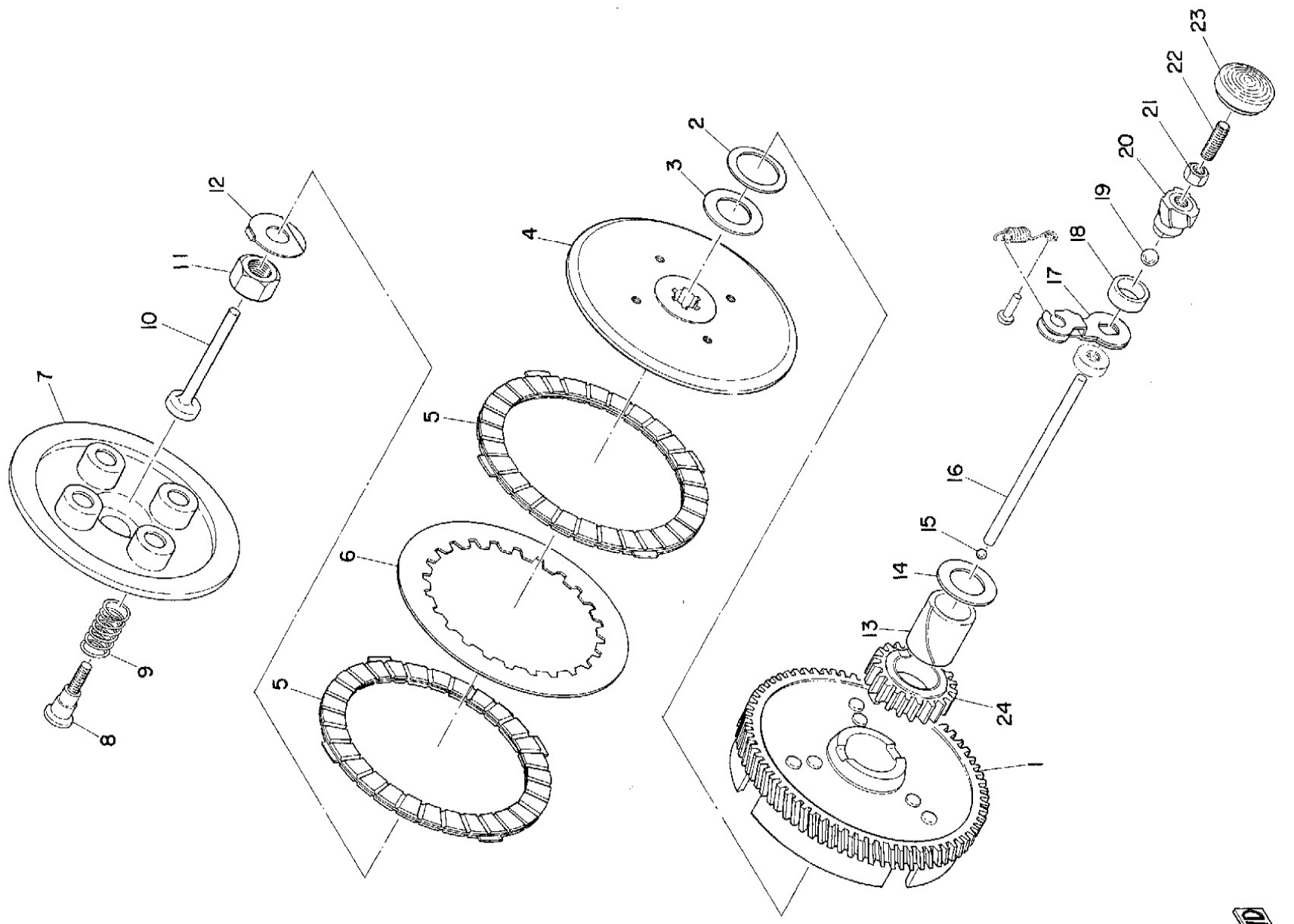
FWD



# CLUTCH

Ref. No.	Parts No.	Description	Qty	Applicable Machine No.	Remarks
4- 0-1	257-16301-00	CLUTCH ASS'Y	1		
4- 1	257-16150-00	. PRIMARY DRIVEN GEAR COMP. (74T)	1		
4- 2	116-16153-00	. WASHER, thrust (23-30-1.5)	1		
4- 3	122-16164-00	. PLATE, thrust (17.2-30-2)	1		
4- 4	257-16371-00	. BOSS, clutch	1		
4- 5	131-16321-00	. PLATE, friction	2		
4- 6	257-16324-00	. PLATE, clutch	1		
4- 7	257-16351-00	. PLATE, pressure	1		
4- 8	137-16337-01	. SCREW, spring	4		
4- 9	137-16333-00	. SPRING, clutch	4		
4-10	137-16356-00	ROD, push 1	1		
4-11	137-16377-00	NUT, clutch boss	1		
4-12	137-16378-00	WASHER, clutch boss	1		
4-13	257-16181-00	SPACER	1		
4-14	122-16164-00	PLATE, thrust (17.2-30-2)	1		
4-15	93501-04004	BALL (1/4 inch)	1		
4-16	257-16357-00	ROD, push 2	1		
4-17	257-16342-00	LEVER, push	1		
4-18	93108-15001	OIL SEAL (OSO-15.3-22-7)	1		
4-19	93503-16003	BALL (3/16 inch)	1		
4-20	257-16341-00	SCREW, push	1		
4-21	98801-06300	NUT	1		

Fig. 4 CLUTCH

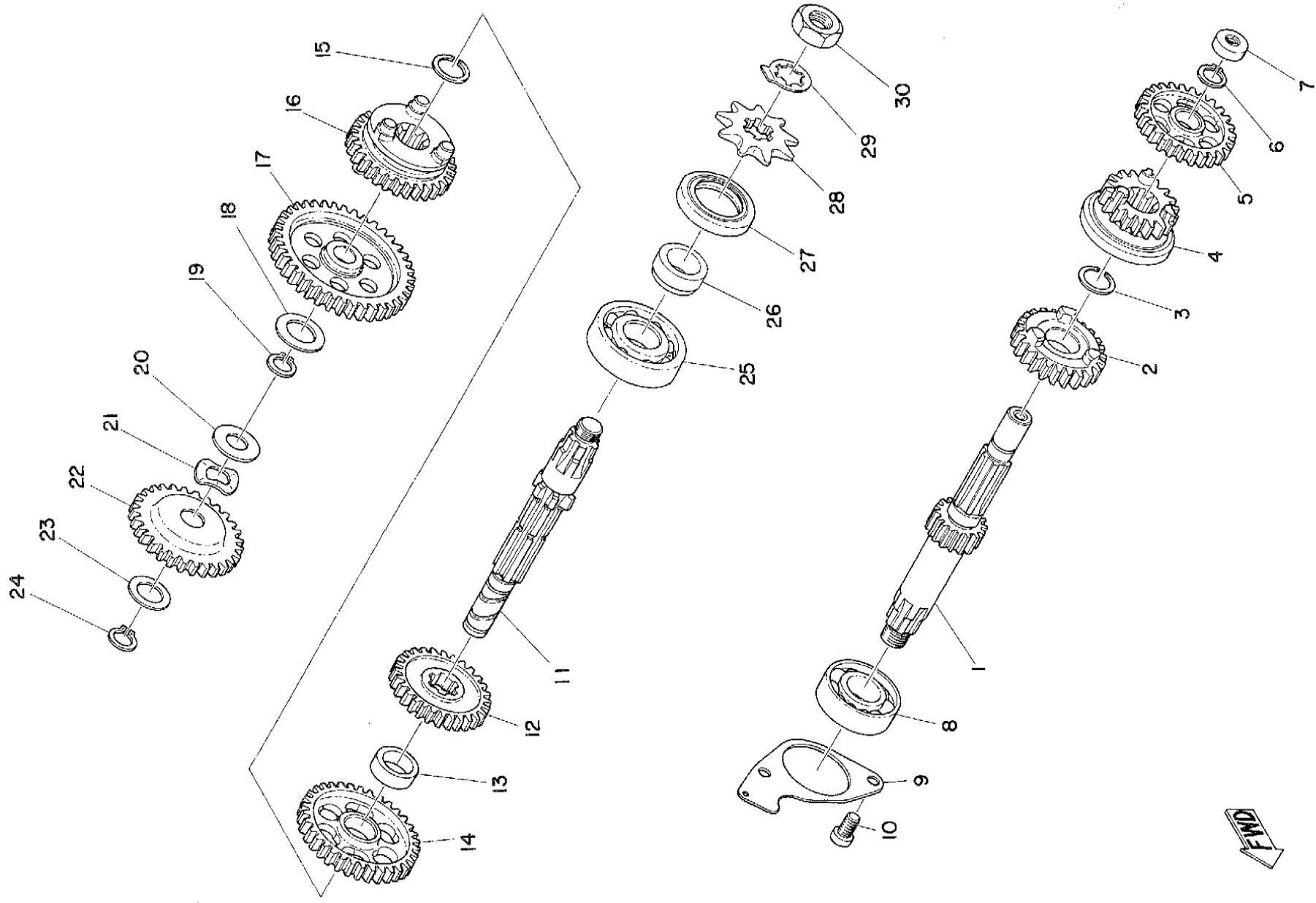


FWD

# CLUTCH

Ref. No.	Parts No.	Description	Q'ty	Applicable Machine No.	Remarks
4-22	257-16343-00	SCREW, adjusting	1		
4-23	257-15417-01	COVER, cap	1		
4-24	254-15631-00	GEAR, kick pinion (18T)	1		

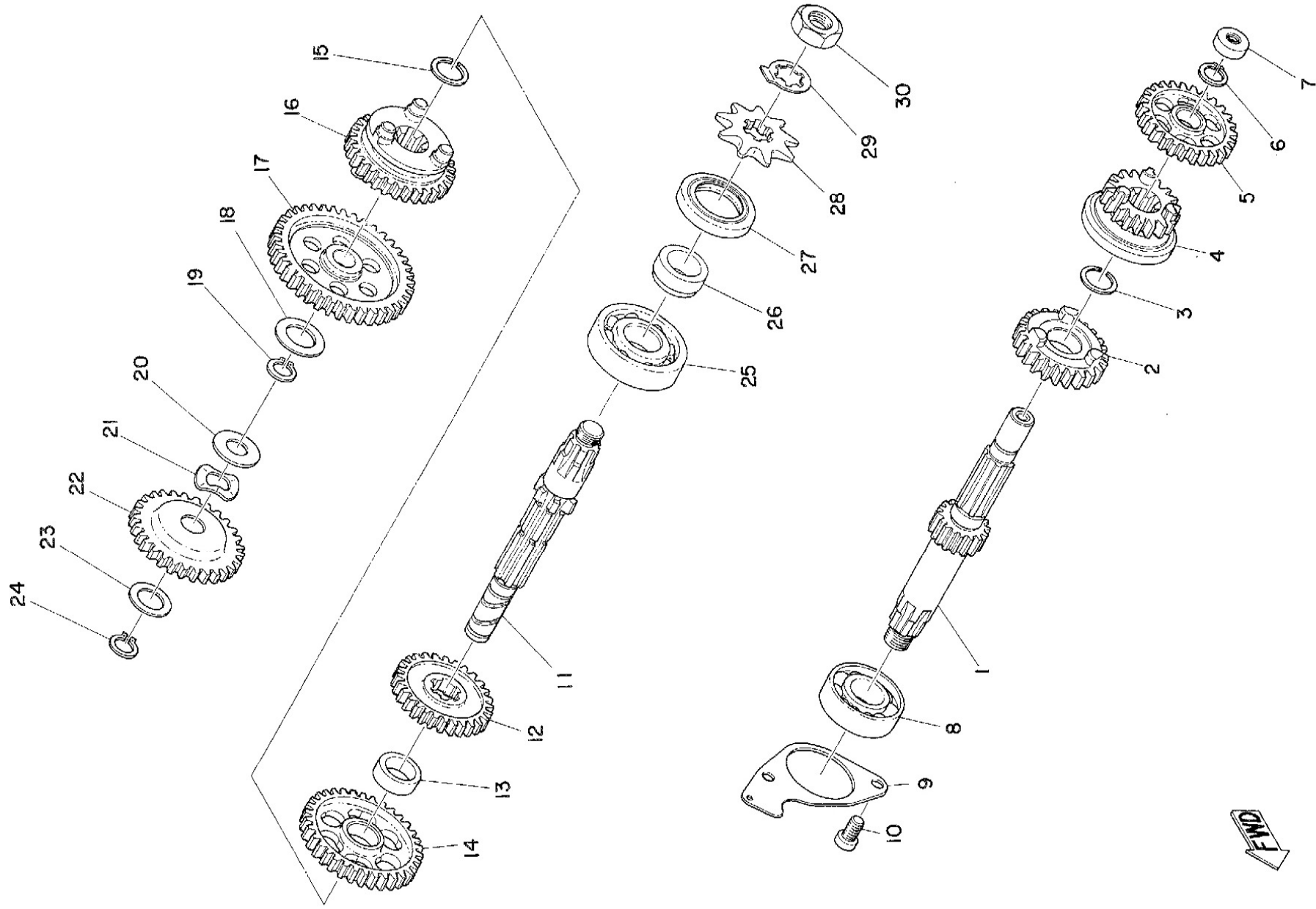
Fig. 5 TRANSMISSION



# TRANSMISSION

Ref. No.	Parts No.	Description	Qty	Applicable Machine No.	Remarks
5- 0-1	257-17410-00	MAIN AXLE COMP	1		
5- 1	257-17411-01	AXLE, main (13T)	1		
5- 2	257-17131-01	GEAR, 3rd pinion (23T)	1		
5- 3	257-17414-00	CLIP	1		
5- 4	257-17121-00	GEAR, 2nd pinion (18T)	1		
5- 5	257-17141-00	GEAR, 4th pinion (26T)	1		
5- 6	93410-13004	CIRCLIP (S-13)	1		
5- 7	257-15389-00	SEAL, push rod (SDO-4.8-15-5)	1		
5- 8	93306-20303	BEARING (6203Z)	1		
5- 9	257-17471-01	PLATE, bearing cover	1		
5-10	92501-06012	SCREW, panhead	2		
5-11	257-17421-01	AXLE, drive	1		
5-12	257-17241-00	GEAR, 4th wheel (27T)	1		
5-13	257-17258-00	COLLAR, distance	1		
5-14	257-17221-01	GEAR, 2nd wheel (34T)	1		
5-15	257-17414-00	CLIP	1		
5-16	257-17231-00	GEAR, 3rd wheel (30T)	1		
5-17	257-17211-00	GEAR, 1st wheel (40T)	1		
5-18	257-17219-00	SHIM (13.2-24-0.6)	1		
5-19	93410-13004	CIRCLIP (S-13)	1		
5-20	132-15653-00-10	SHIM, thrust washer (13.3-22-1.0)	$\left. \begin{array}{l} \\ \\ \end{array} \right\} \begin{array}{l} \text{U.R} \\ 1 \end{array}$		
	132-15653-00-12	SHIM, thrust washer (13.3-22-1.2)			
	132-15653-00-14	SHIM, thrust washer (13.3-22-1.4)			

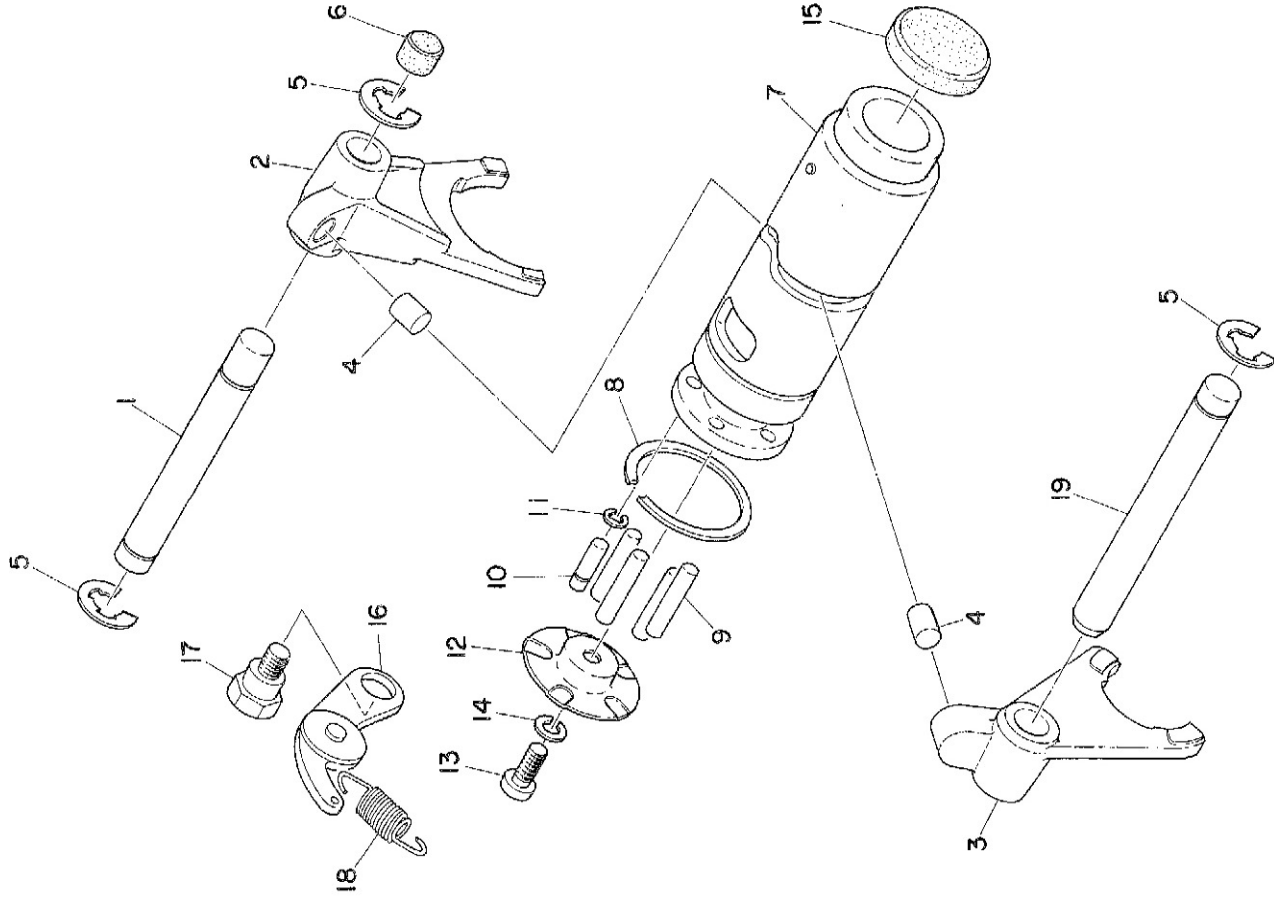
Fig. 5 TRANSMISSION



# TRANSMISSION

Ref. No.	Parts No.	Description	Q'ty	Applicable Machine No.	Remarks
5-21	137-15643-00	WASHER, wave .....	1		
5-22	257-15651-00	GEAR, kick idle (28T) .....	1		
5-23	201-15653-00	WASHER, thrust (13.2-23-1) .....	1		
5-24	93410-13004	CIRCLIP (S-13) .....	1		
5-25	93306-30305	BEARING (6303) .....	1		
5-26	347-17462-00	COLLAR, distance .....	1		
5-27	93102-25017	OIL SEAL (SD-25-40-5) .....	1		
5-28	347-17451-90	SPROCKET, drive (9T) .....	1		
5-29	347-17464-00	WASHER, lock .....	1		
5-30	347-17463-00	NUT, lock .....	1		

Fig. 6 SHIFTER 1

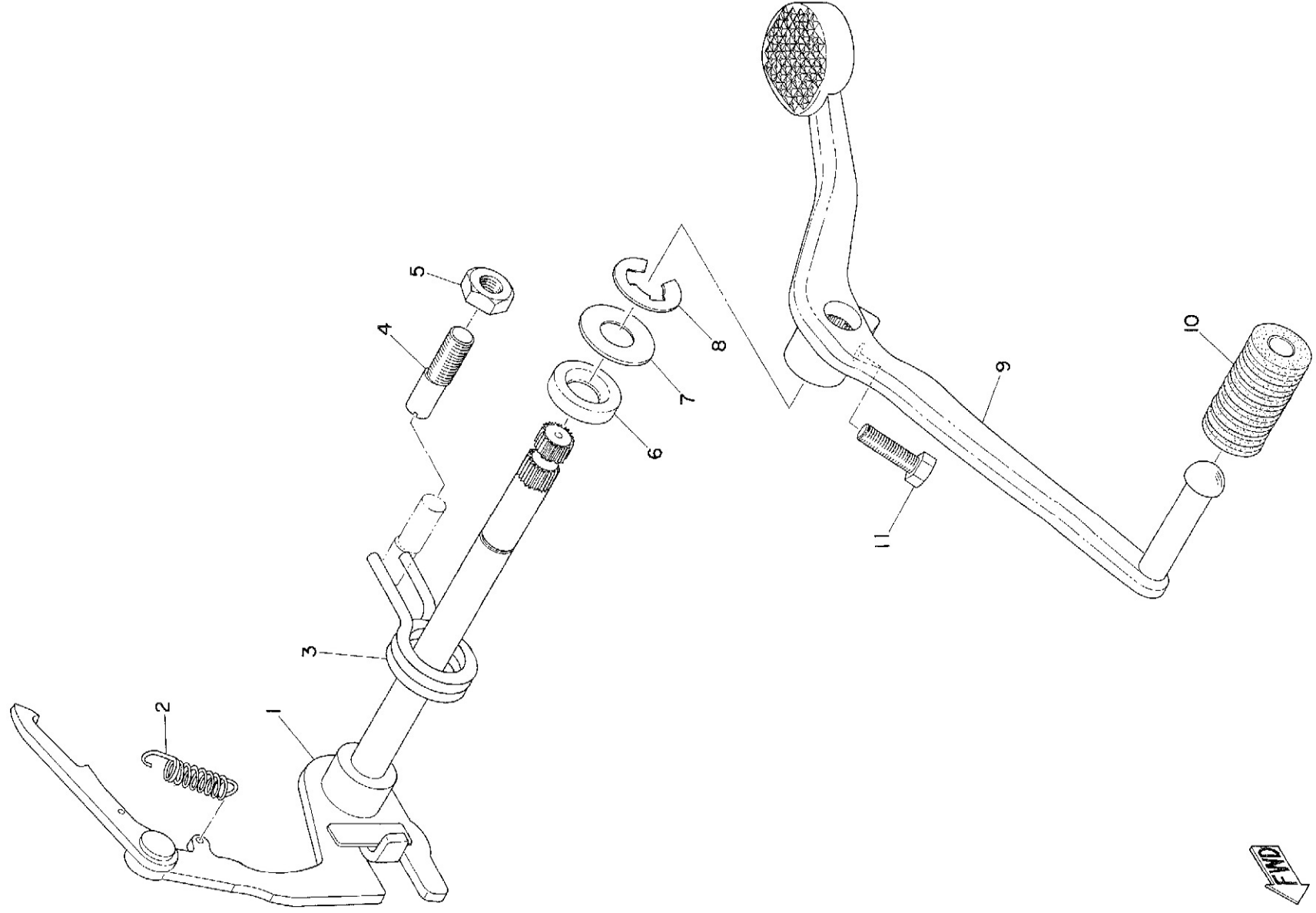




# SHIFTER 1

Ref. No.	Parts No.	Description	Q'ty	Applicable Machine No.	Remarks
6- 1	257-18534-00	BAR, shift fork guide	1		
6- 2	259-18511-01	FORK, shift 1	1		
6- 3	257-18512-01	FORK, shift 2	1		
6- 4	257-18552-00	PIN, cam follower	2		
6- 5	93430-08006	CIRCLIP (E-8)	3		
6- 6	150-18328-00	PLUG, blind	1		
6- 7	257-18541-61	CAM, shift	1		
6- 8	93440-32017	CIRCLIP (32φ special)	1		
6- 9	93605-20043	PIN, dowel	4		
6-10	174-18544-00	PIN, locating	1		
6-11	93430-03014	CIRCLIP (E-3)	1		
6-12	164-18561-00	PLATE, side	1		
6-13	98501-05012	SCREW, panhead	1		
6-14	92901-05100	WASHER, spring	1		
6-15	257-18589-00	PLUG, blind	1		
6-16	132-18140-01	STOPPER LEVER ASSY	1		
6-17	132-18177-00	BOLT, stopper	1		
6-18	132-18143-00	SPRING, stopper	1		
6-19	257-18531-00	BAR, shift fork guide	1		

Fig. 7 SHIFTER 2

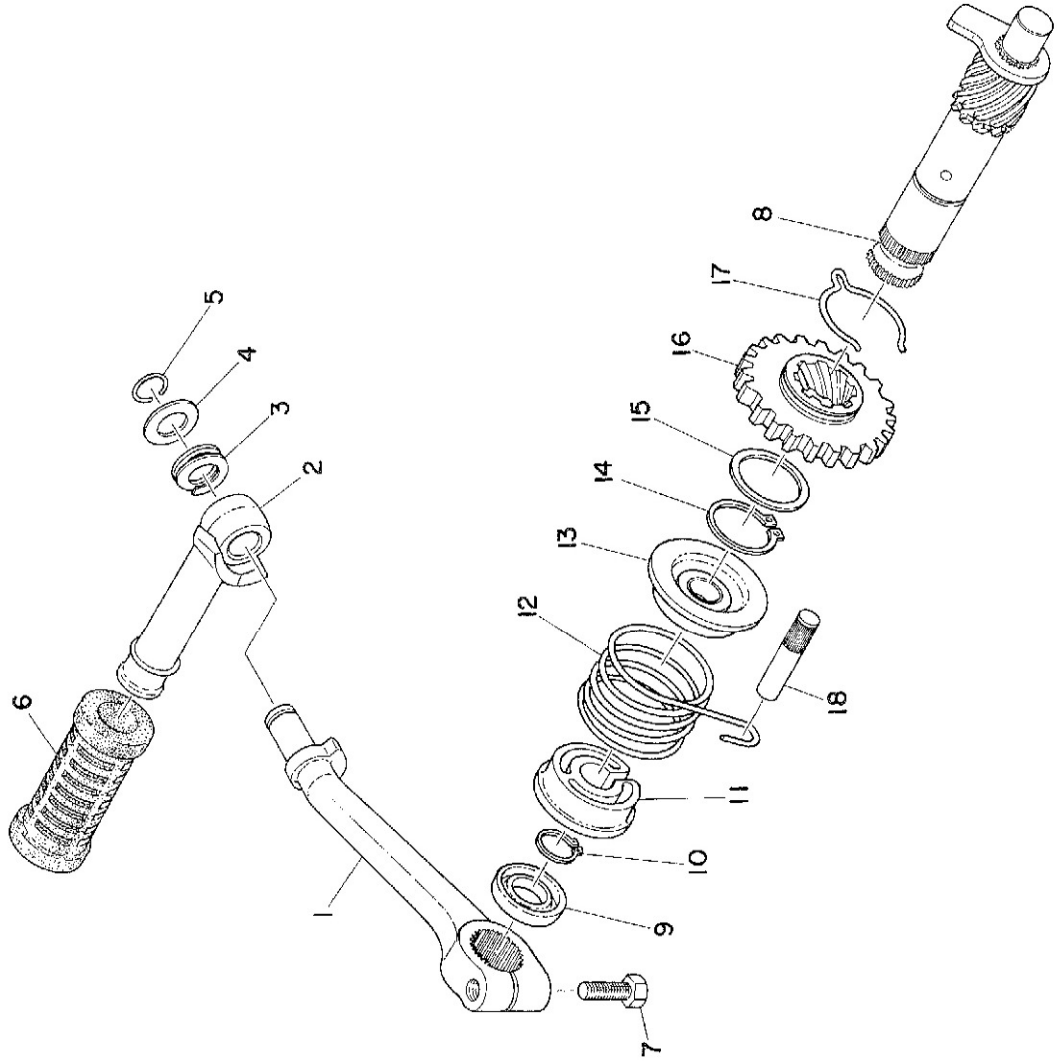


END

## SHIFTER 2

Ref. No.	Parts No.	Description	Q'ty	Applicable Machino No.	Remarks
7- 1	257-18101-01	CHANGE SHAFT ASSY	..... 1		
7- 2	132-18123-00	. SPRING, shift arm	..... 1		
7- 3	132-18124-00	SPRING, shaft return	..... 1		
7- 4	132-18133-00	SCREW, adjusting	..... 1		
7- 5	98800-08100	NUT	..... 1		
7- 6	93101-12004	OIL SEAL (S-12-22-5)	..... 1		
7- 7	132-18137-00	WASHER, change axle (14.1-28-1.6)	..... 1		
7- 8	93430-10016	CIRCLIP (E-10)	..... 1		
7- 9	257-18111-00	PEDAL, change	..... 1		
7-10	132-18113-01	COVER, change pedal	..... 1		
7-11	91201-06020	BOLT	..... 1		

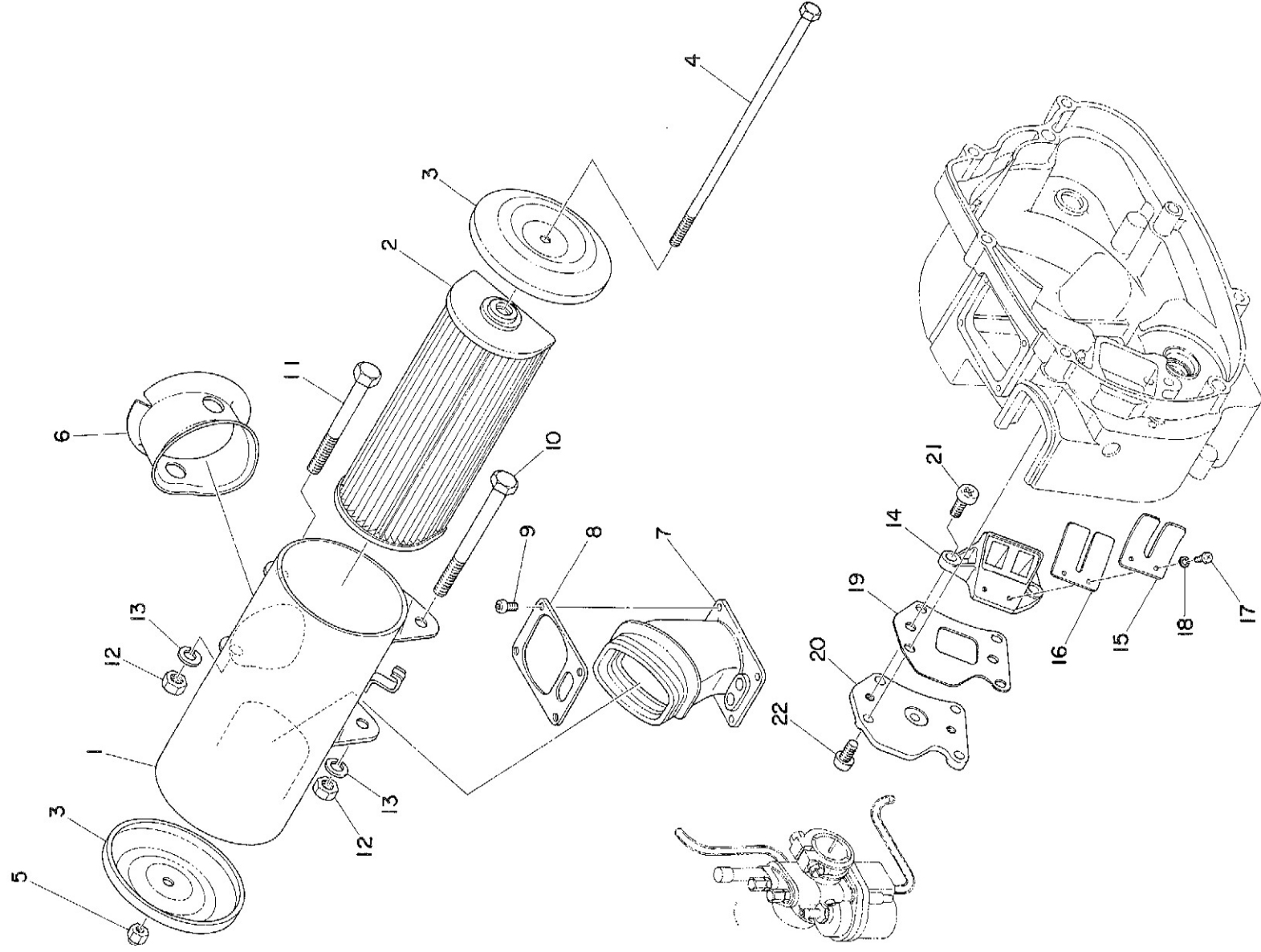
Fig. 8 KICK STARTER



## KICK STARTER

Ref. No.	Parts No.	Description	Q'ty	Applicable Machine No.	Remarks
8- 0-1	257-15610-01-91	KICK CRANK ASS'Y	1		
8- 1	257-15611-00	. CRANK, kick	1		Not for sale
8- 2	122-15612-02	. LEVER, kick	1		
8- 3	132-15625-01	. SPRING, kick crank	1		
8- 4	132-15616-01	. WASHER, kick lever	1		
8- 5	132-15617-00	. CLIP, kick lever	1		
8- 6	156-15618-01	COVER, kick lever	1		
8- 7	91101-06020	BOLT	1		
8- 8	305-15660-01	KICK AXLE ASS'Y	1		
8- 9	93109-15001	OIL SEAL (SDO-15-26-6)	1		
8-10	93410-15005	CIRCLIP (S-15)	1		
8-11	132-15676-00	COVER, kick spring	1		
8-12	304-15665-00	SPRING, kick	1		
8-13	132-15664-00	GUIDE, kick spring	1		
8-14	93410-25017	CIRCLIP (S-25)	1		
8-15	117-15644-00	SHIM (25.1-32-1)	1		
8-16	305-15641-00	GEAR, kick (26T)	1		
8-17	315-15687-00	CLIP, kick	1		
8-18	257-15668-00	STOPPER, kick spring	1		

Fig. 9 INTAKE

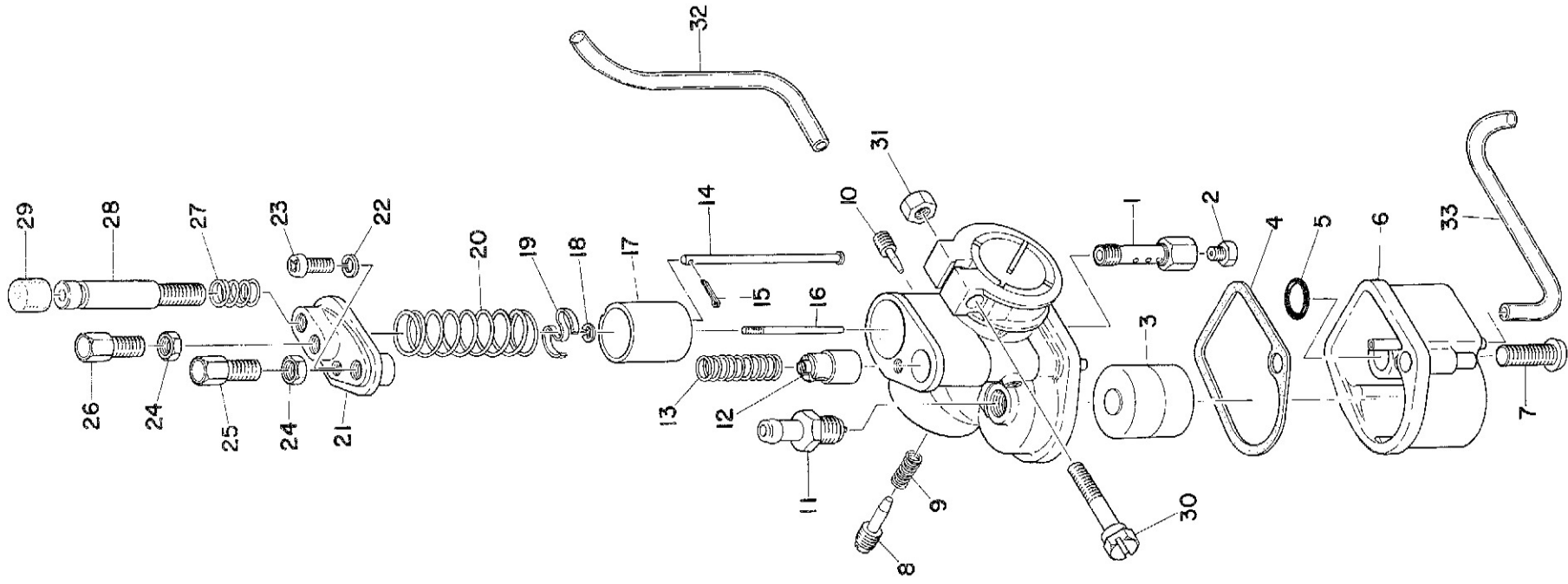


FWD

# INTAKE

Ref. No.	Parts No.	Description	Q'ty	Applicable Machine No.	Remarks
9- 1	257-14401-00-35	CASE, air cleaner	1		Silver
9- 2	257-14451-00	ELEMENT, air cleaner	1		
9- 3	122-14412-00	CAP, cleaner case	2		
9- 4	91201-06187	BOLT	1		
9- 5	92803-06700	NUT, crown	1		
9- 6	257-14454-00	JOINT, suction pipe	1		
9- 7	283-14453-00	JOINT, air cleaner	1		
9- 8	257-14417-00	COVER, joint	1		
9- 9	98501-04008	SCREW, panhead	4		
9-10	97101-08095	BOLT	1		
9-11	97101-08080	BOLT	1		
9-12	98801-08100	NUT	2		
9-13	92901-08100	WASHER, spring	2		
9-14	378-13610-60	REED VALVE ASS'Y	1		
9-15	314-13613-00	VALVE, reed	1		
9-16	314-13616-01	STOPPER, reed valve	1		
9-17	98501-03008	SCREW, panhead	2		
9-18	92901-03100	WASHER, spring	2		
9-19	378-13621-60	PACKING	1		
9-20	381-13555-60 5A5	JOINT	1		
9-21	92501-06015	SCREW, panhead	2		
9-22	92501-06015	SCREW, panhead	4		

Fig. 10 CARBURETOR



END



# CARBURETOR

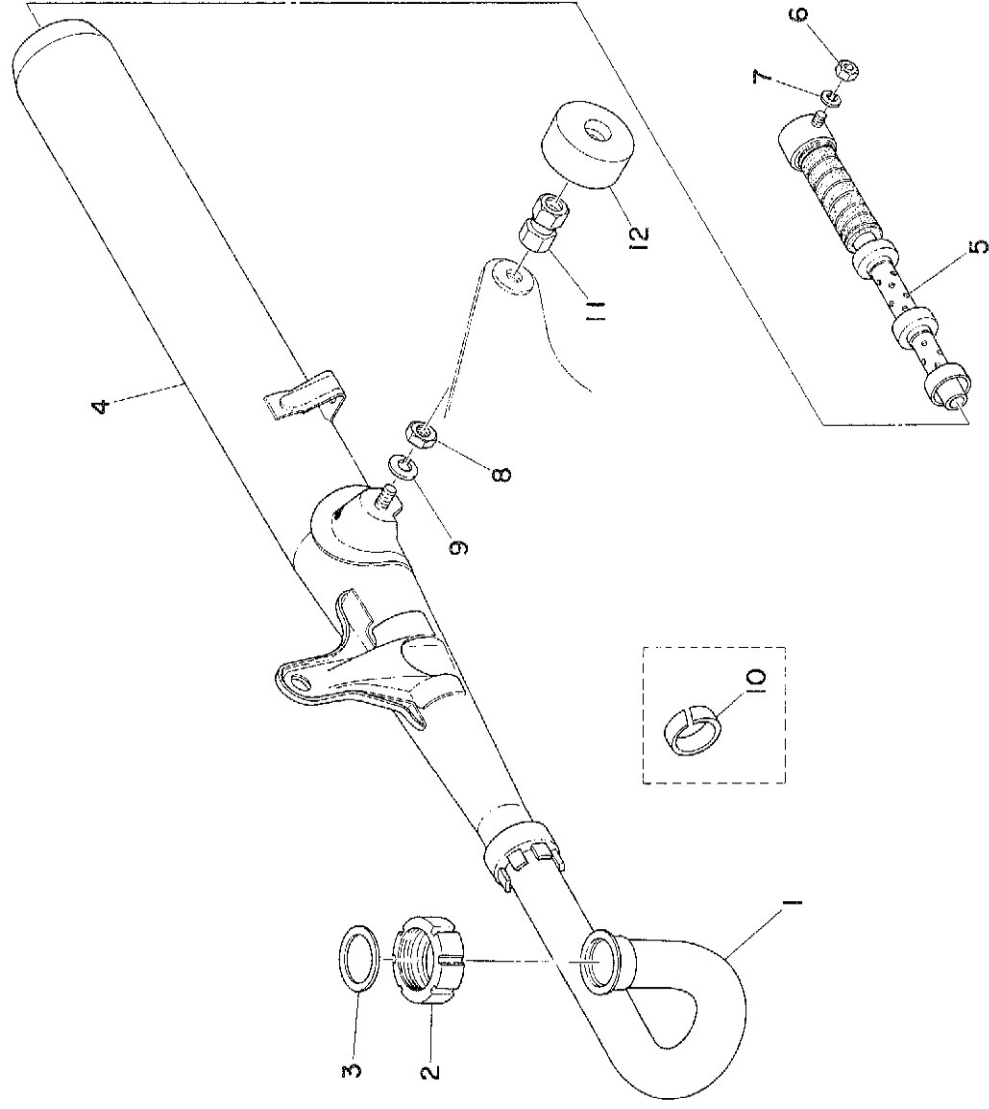
Ref. No.	Parts No.	Description	Qty	Applicable Machine No.	Remarks
10- 0-1	381-14101-60	CARBURETOR ASS'Y	..... 1		VM10SC
10- 1	127-14141-10	. NOZZLE, main (E-0)	..... 1		
10- 2	127-14143-13	. JET, main (#65)	} U,R 1		Standard
	127-14143-14	. JET, main (#70)			
	127-14143-15	. JET, main (#75)			
	127-14143-16	. JET, main (#80)			
10- 3	260-14185-00	. FLOAT		..... 1	
10- 4	260-14184-00	. GASKET, float chamber	..... 1		
10- 5	93220-08022	. O-RING	..... 1		
10- 6	260-14181-00	. BODY, float chamber	..... 1		
10- 7	92501-06018	. SCREW, panhead	..... 1		
10- 8	127-14123-00	. SCREW, air adjusting	..... 1		
10- 9	127-14134-00	. SPRING, air adjusting	..... 1		
10-10	260-14142-25	. JET, pilot (#25)	..... 1		
10-11	260-14190-12	. VALVE SEAT ASS'Y (#1.2)	..... 1		
10-12	127-14171-00	. PLUNGER STARTER ASS'Y	... 1		
10-13	127-14135-00	. SPRING, plunger	..... 1		
10-14	283-14114-00	. BAR, throttle	..... 1		
10-15	91401-12008	. PIN, cotter	..... 1		
10-16	118-14116-02	. NEEDLE (3J2-3)	..... 1		
10-17	283-14112-25	. VALVE, throttle (#2.5)	..... 1		
10-18	127-14137-00	. CLIP	..... 1		
10-19	127-14136-00	. SEAT, spring	..... 1		
10-20	260-14131-00	. SPRING, throttle valve	..... 1		



# CARBURETOR

Ref. No.	Parts No.	Description	Qty	Applicable Machine No.	Remarks
10-21	260-14158-01	. TOP, mixing chamber	..... 1		
10-22	92901-04100	. WASHER, spring	..... 1		
10-23	98501-04010	. SCREW, panhead	..... 1		
10-24	127-14161-00	. NUT, wire adjusting	..... 2		
10-25	127-14124-20	. SCREW, wire adjusting	..... 1		
10-26	127-14124-20	. SCREW, wire adjusting	..... 1		
10-27	127-14133-00	. SPRING, throttle stop	..... 1		
10-28	167-14121-00	. SCREW, throttle	..... 1		
10-29	167-14119-00	. CAP, throttle screw	..... 1		
10-30	127-14125-01	. SCREW, body fitting	..... 1		
10-31	98801-05200	. NUT	..... 1		
10-32	257-14197-00	PIPE, air vent (2.5-200)	..... 1		
10-33	137-14197-00	PIPE, over flow (2.5-150)	..... 1		

Fig. 11 EXHAUST



# EXHAUST

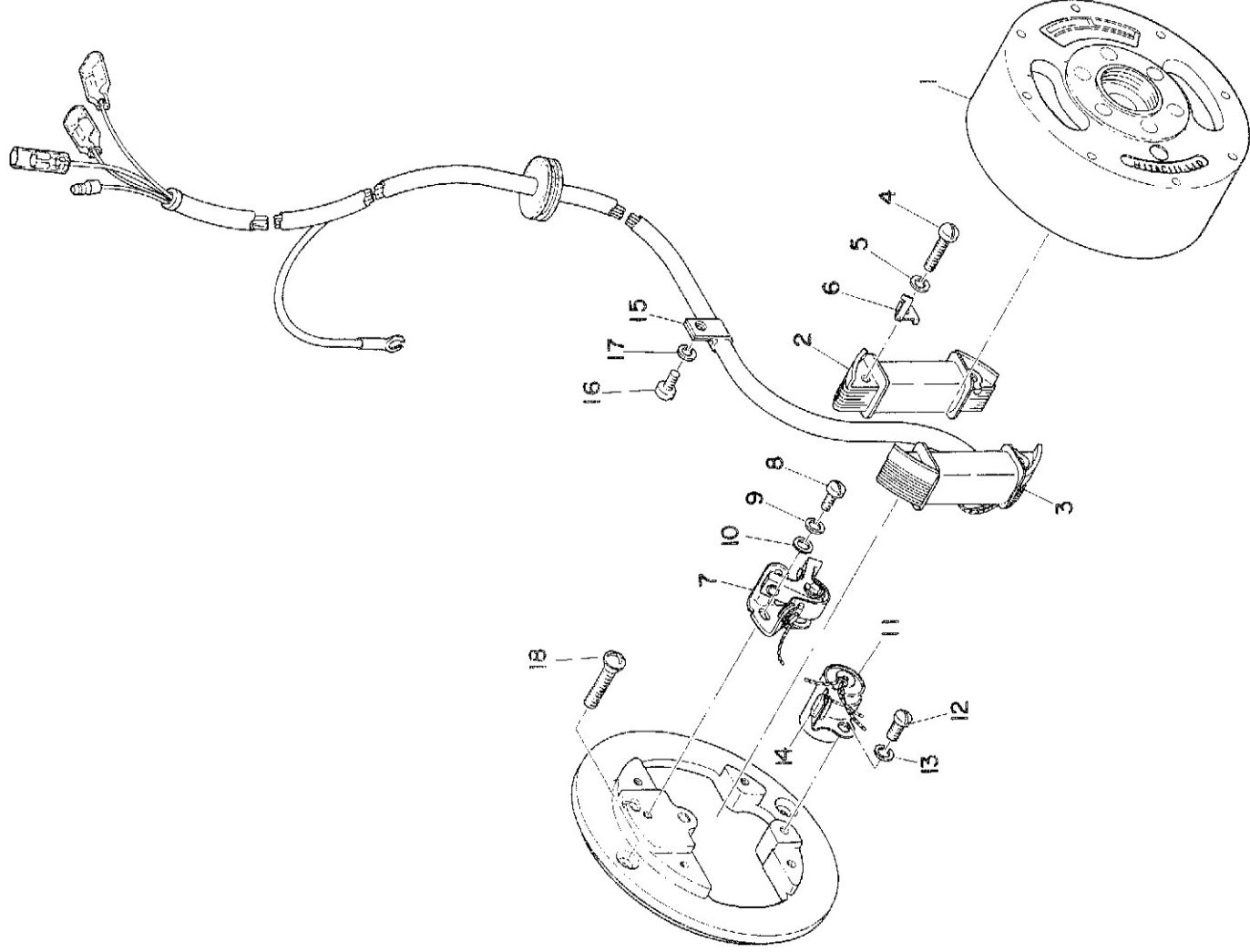
Ref. No.	Parts No.	Description	Q'ty	Applicable Machine No.	Remarks
11- 1	348-14611-00	PIPE, exhaust	1		
11- 2	122-14612-02	NUT, ring	1		
11- 3	132-14613-00	GASKET, exhaust	1		
11- 4	381-41710-00	MUFFLER ASS'Y	1		
11- 5	296-14753-02	SILENCER	1		
11- 6	98801-05200	NUT	1		
11- 7	92901-05100	WASHER, spring	1		
11- 8	98801-08100	NUT	1		
11- 9	92901-08100	WASHER, spring	1		
11-10	109-14714-02	GASKET, muffler joint	1		
11-11	209-27118-00	NUT	1		
11-12	283-27114-00	STOPPER, main stand	1		



## FLYWHEEL MAGNETO (MITSUBISHI)

Ref. No.	Parts No.	Description	Qty	Applicable Machine No.	Remarks
12- 0-1	257-81300-20	FLYWHEEL MAGNETO ASS'Y	... 1		MITSUBISHI
12- 1	257-81350-20	. ROTOR ASS'Y	..... 1		
12- 2	207-81312-20	. COIL, source	..... 1		
12- 3	207-81313-20	. COIL, lighting	..... 1		
12- 4	110-81348-20	. SCREW, panhead (4-25)	..... 4		
12- 5	92901-04100	. WASHER, spring	..... 4		
12- 6	166-81332-20	. PLATE, timing	..... 1		
12- 7	120-81321-20	. CONTACT BREAKER ASS'Y	... 1		
12- 8	110-81347-20	. SCREW, panhead (4-12)	..... 1		
12- 9	92901-04100	. WASHER, spring	..... 1		
12-10	92901-04200	. WASHER, plain	..... 1		
12-11	104-81326-20	. CONDENSER	..... 1		
12-12	120-81331-20	. LUBRICATOR	..... 1		
12-13	110-81346-20	. SCREW, panhead (4-10)	..... 1		
12-14	92901-04100	. WASHER, spring	..... 1		
12-15	92901-04200	. WASHER, plain	..... 1		
12-16	104-81328-20	. CLAMP, lead	..... 1		
12-17	165-81145-21	. SCREW, panhead (4-8)	..... 1		
12-18	92901-04100	. WASHER, spring	..... 1		
12-19	98701-05015	SCREW, flathead	..... 2		

Fig. 13 FLYWHEEL MAGNETO (HITACHI)





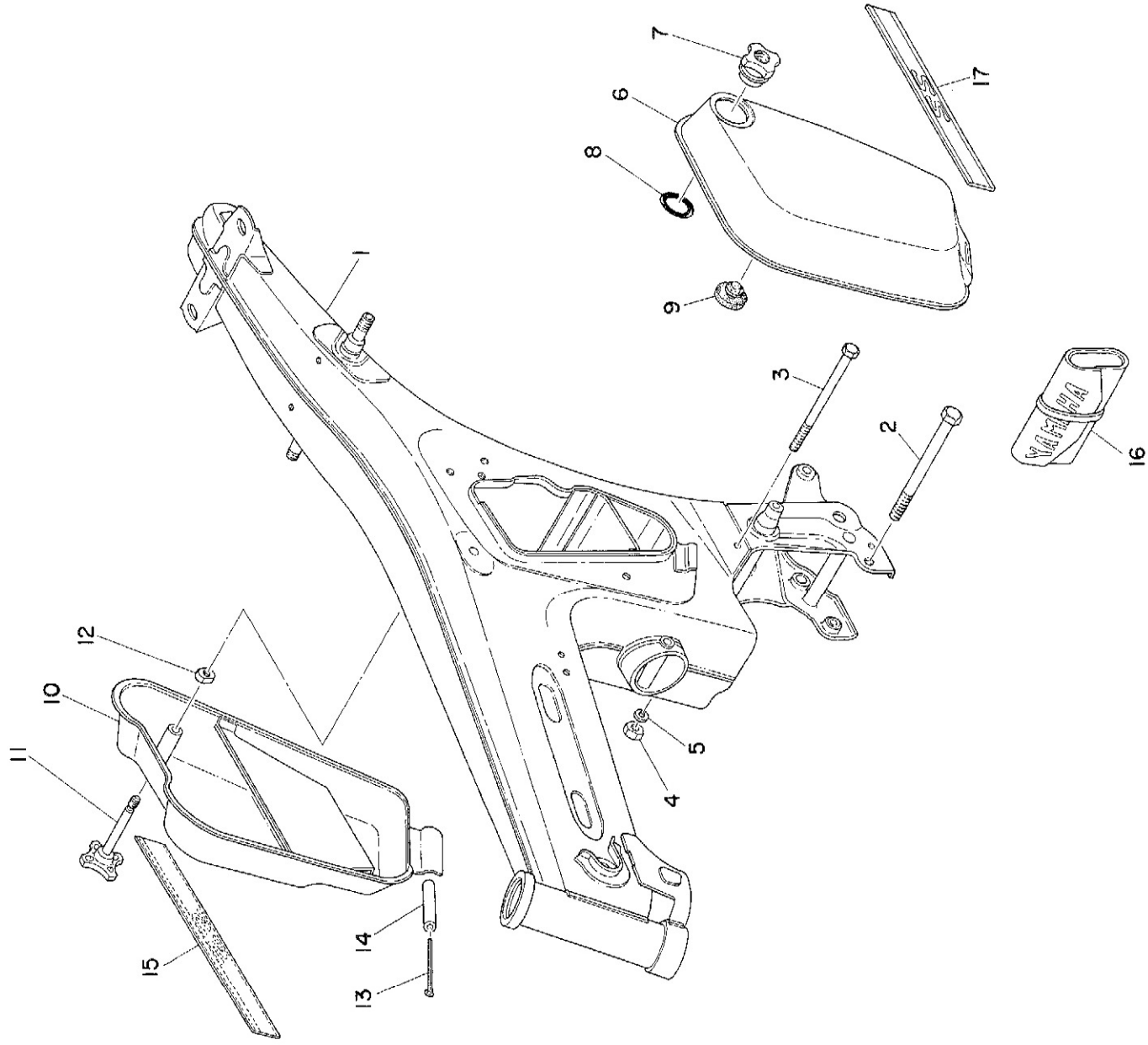
## FLYWHEEL MAGNETO (HITACHI)

Ref. No.	Parts No.	Description	Q'ty	Applicable Machine No.	Remarks
13- 0-1	257-81300-10	FLYWHEEL MAGNETO ASS'Y	... 1		HITACHI
13- 1	207-81350-10	. ROTOR ASS'Y	..... 1		
13- 2	207-81312-10	. COIL, source	..... 1		
13- 3	207-81313-10	. COIL, lighting	..... 1		
13- 4	110-81348-20	. SCREW, panhead (4-25)	..... 4		
13- 5	92901-04100	. WASHER, spring	..... 4		
13- 6	257-81332-10	. PLATE, timing	..... 1		
13- 7	207-81321-10	. CONTACT BREAKER ASS'Y	... 1		
13- 8	110-81347-20	. SCREW, panhead (4-12)	..... 1		
13- 9	92901-04100	. WASHER, spring	..... 1		
13-10	92901-04200	. WASHER, plain	..... 1		
13-11	207-81326-10	. CONDENSER	..... 1		
13-12	110-81346-20	. SCREW, panhead (4-10)	..... 1		
13-13	92901-04100	. WASHER, spring	..... 1		
13-14	207-81331-10	. LUBRICATOR	..... 1		
13-15	109-81328-10	. CLAMP, lead	..... 1		
13-16	165-81145-21	. SCREW, panhead (4-8)	..... 1		
13-17	92901-04100	. WASHER, spring	..... 1		
13-18	98701-05015	SCREW, flathead	..... 2		

# CHASSIS



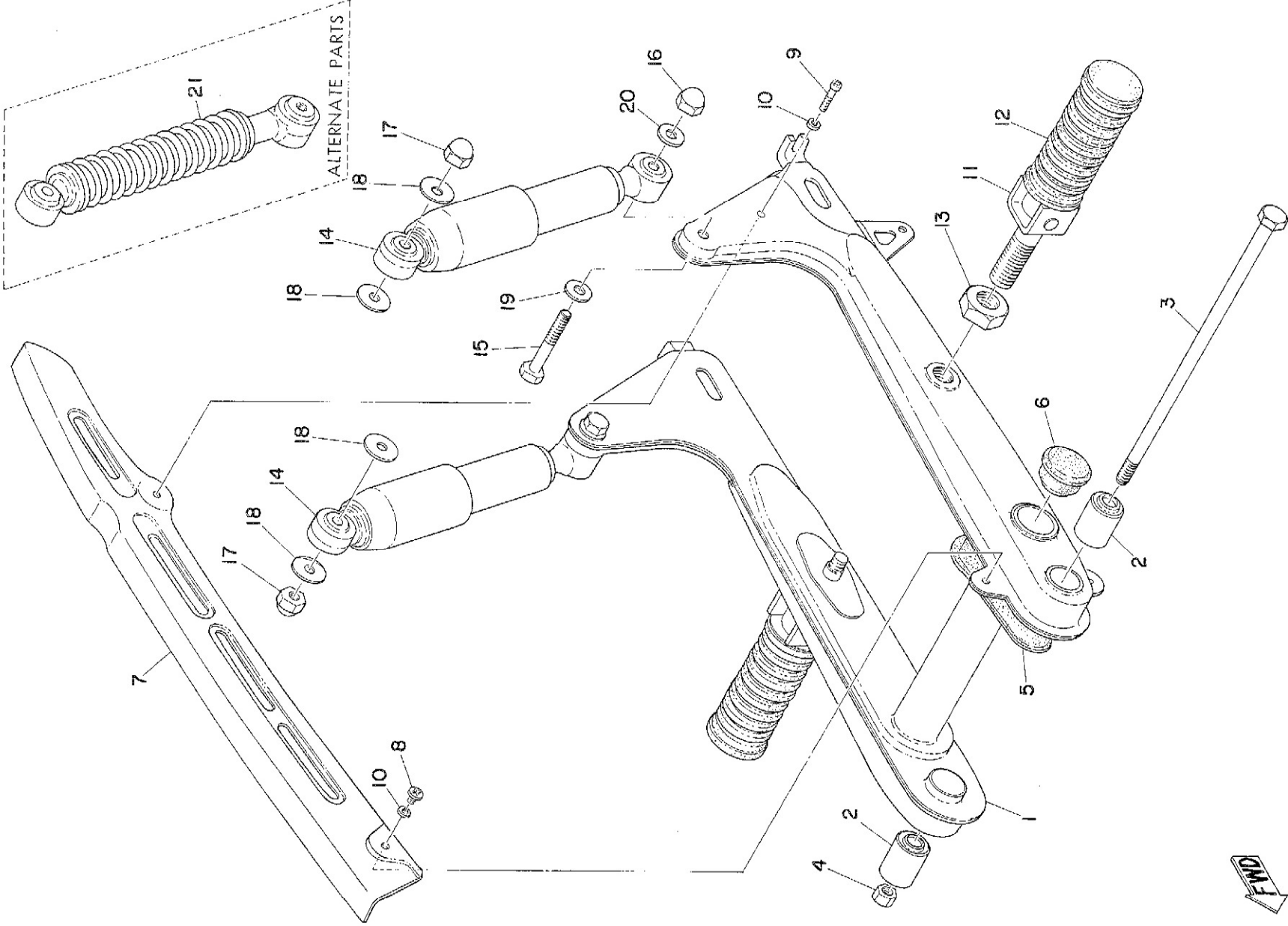
Fig. 14 FRAME · SIDE COVER



## FRAME · SIDE COVER

Ref. No.	Parts No.	Description	Q'ty	Applicable Machine No.	Remarks
14- 1	260-21110-00-33	FRAME COMP. ....	1		Yamaha Black
14- 2	180-21483-00	BOLT, engine mounting .....	1		
14- 3	97101-08120	BOLT .....	1		
14- 4	98801-08100	NUT .....	1		
14- 5	92901-08100	WASHER, spring .....	1		
14- 6	220-21711-00-R1	COVER, side left .....	1		Popcicle-purple
	220-21711-00-21	COVER, side left .....	1		Flores Green
	220-21711-00-52	COVER, side left .....	1		Candy Orange
14- 7	102-21714-00	KNOB, side cover left .....	1		
14- 8	102-21718-00	RING, stop .....	1		
14- 9	141-21717-00	DAMPER, side cover .....	1		
14-10	283-21721-00-R1	COVER, side right .....	1		Popcicle-purple
	283-21721-00-21	COVER, side right .....	1		Flores Green
	283-21721-00152	COVER, side right .....	1		Candy Orange
14-11	209-21724-00	KNOB, side cover right .....	1		
14-12	136-21713-00	NUT, latch clamp .....	1		
14-13	91401-50075	PIN, cotter .....	1		
14-14	283-21717-00	DAMPER, side cover .....	1		
14-15	348-21787-00	EMBLEM, side cover .....	1		
14-16	207-28100-10	TOOL ASS'Y .....	1		
14-17	348-21787-00	EMBLEM .....	1		

Fig. 15 REAR ARM · REAR CUSHION · CHAIN CASE

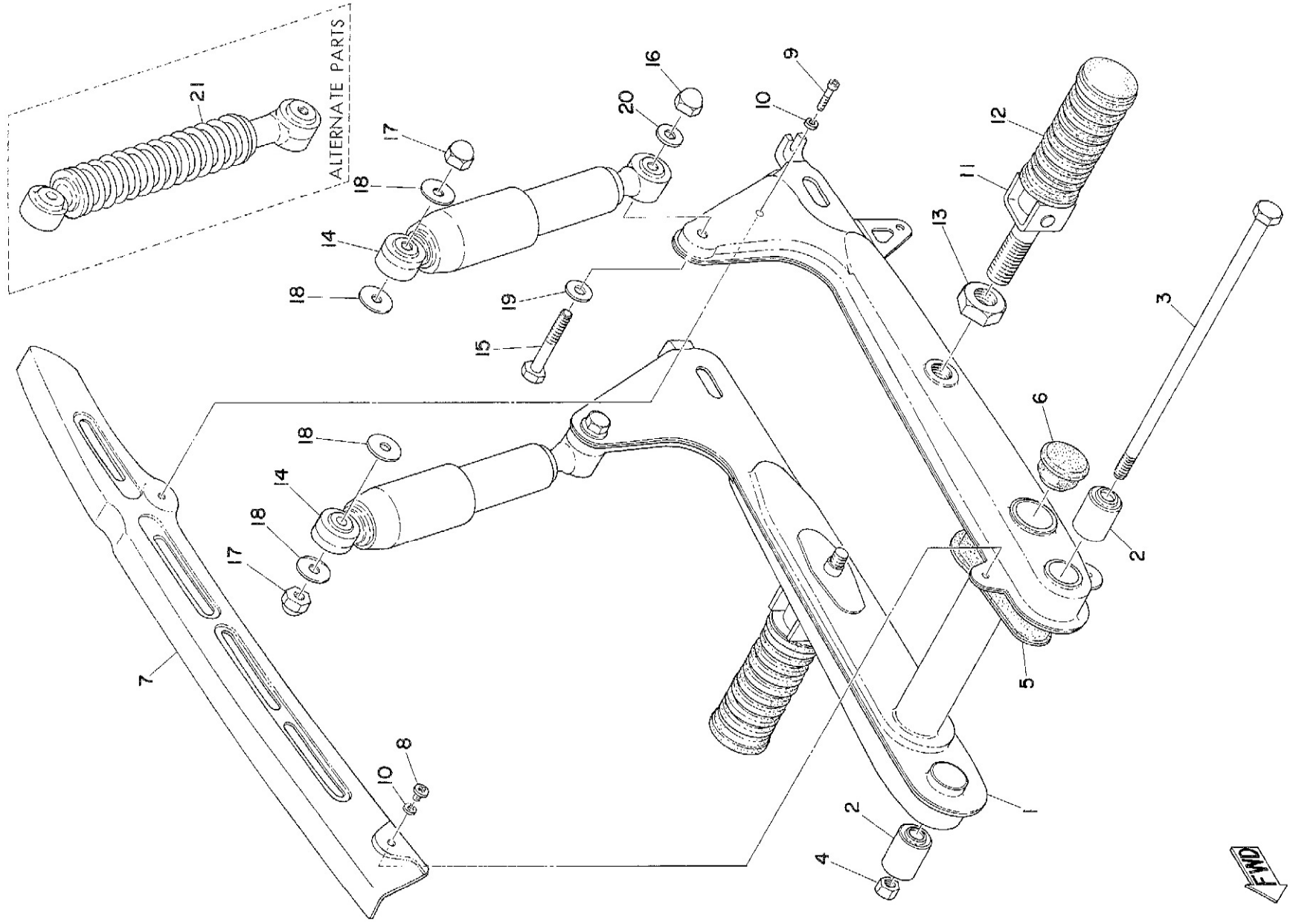


FWD

## REAR ARM · REAR CUSHION · CHAIN CASE

Ref. No.	Parts No.	Description	Q'ty	Applicable Machine No.	Remarks
15- 1	220-22110-00-33	REAR ARM COMP.	1		Yamaha Black
15- 2	102-22123-00	BUSHING, rear arm	2		
15- 3	109-22141-00	SHAFT, pivot	1		
15- 4	98801-10100	NUT	1		
15- 5	122-22151-00	SEAL, guard	1		
15- 6	180-22117-00	CAP, rear arm	1		
15- 7	260-22311-00-35	CHAIN CASE, half	1		Silver
15- 8	98501-05008	SCREW, panhead	1		
15- 9	98501-05020	SCREW, panhead	1		
15-10	92901-05100	WASHER, spring	2		
15-11	120-27430-02	REAR FOOTREST ASS'Y	2		
15-12	120-27433-00	COVER, rear footrest	2		
15-13	206-27436-00	NUT, rear footrest	2		
15-14	260-22210-40-R1	REAR CUSHION ASS'Y	2		Popicicle-purple
	260-22210-40-21	REAR CUSHION ASS'Y	2		Flores Green
	260-22210-40-52	REAR CUSHION ASS'Y	2		Candy Orange
15-15	220-22242-00	BOLT, rear cushion	2		
15-16	220-22251-00	NUT, cap	2		
15-17	92804-10700	NUT, crown	1		
15-18	102-22243-00	WASHER, rear cushion (10-25-2)	4		
15-19	122-22243-00	WASHER, rear cushion (12-27-2)	2		
15-20	122-22244-00	WASHER, rear cushion (12-22-2)	2		

Fig. 15 REAR ARM · REAR CUSHION · CHAIN CASE



# REAR ARM · REAR CUSHION · CHAIN CASE

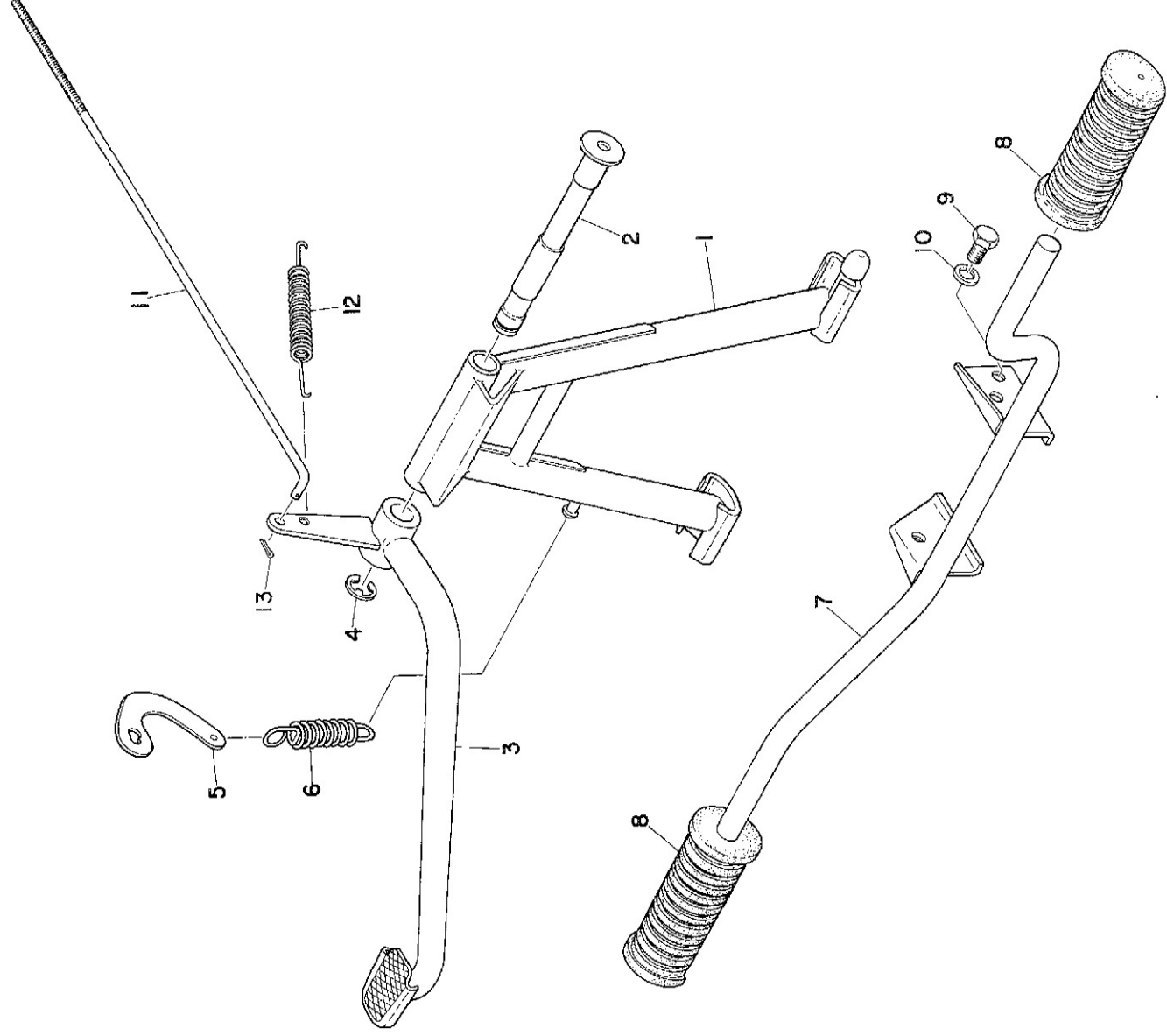
Ref. No.	Parts No.	Description	Q'ty	Applicable Machine No.	Remarks
----------	-----------	-------------	------	------------------------	---------

## ALTERNATE PARTS

15-21	220-22210-20	REAR CUSHION ASS'Y	..... 2		
-------	--------------	--------------------	---------	--	--



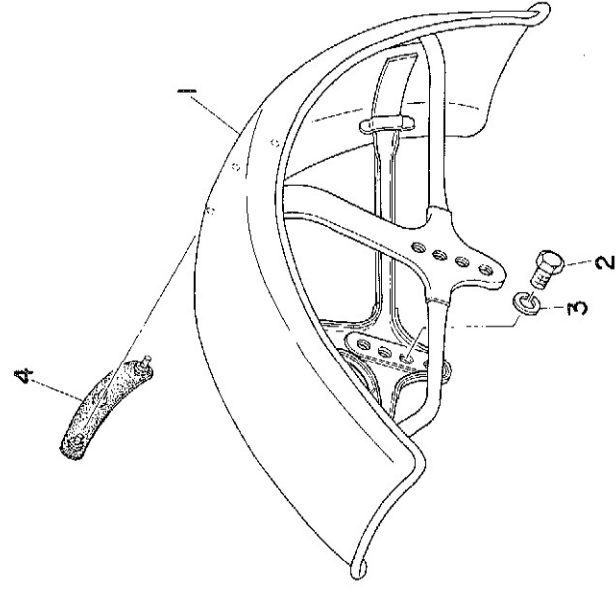
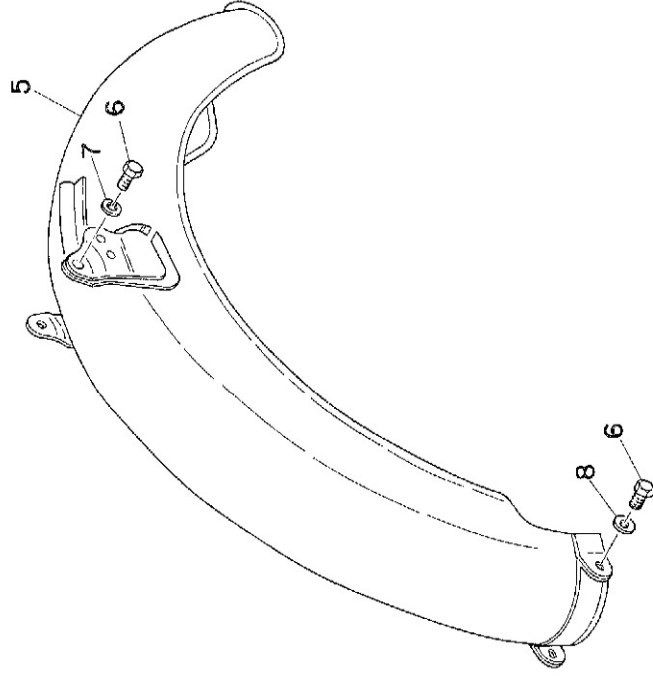
Fig. 16 STAND · FOOTREST · BRAKE PEDAL



## STAND · FOOTREST · BRAKE PEDAL

Ref. No.	Parts No.	Description	Qty	Applicable Machine No.	Remarks
16- 1	207-27111-00	STAND, main	1		
16- 2	122-27112-00	SHAFT, main stand	1		
16- 3	257-27211-00	PEDAL, brake	1		
16- 4	93430-12008	CIRCLIP (E-12)	1		
16- 5	109-27115-00	LINK, main stand	1		
16- 6	122-27116-00	SPRING, main stand	1		
16- 7	260-27411-00	FOOTREST	1		
16- 8	122-27413-00	COVER, footrest	2		
16- 9	97201-08015	BOLT	1		
16-10	92901-08100	WASHER, spring	1		
16-11	180-27231-01	ROD, brake	1		
16-12	109-27216-00	SPRING, Pedal return	1		
16-13	91401-20012	PIN, cotter	1		

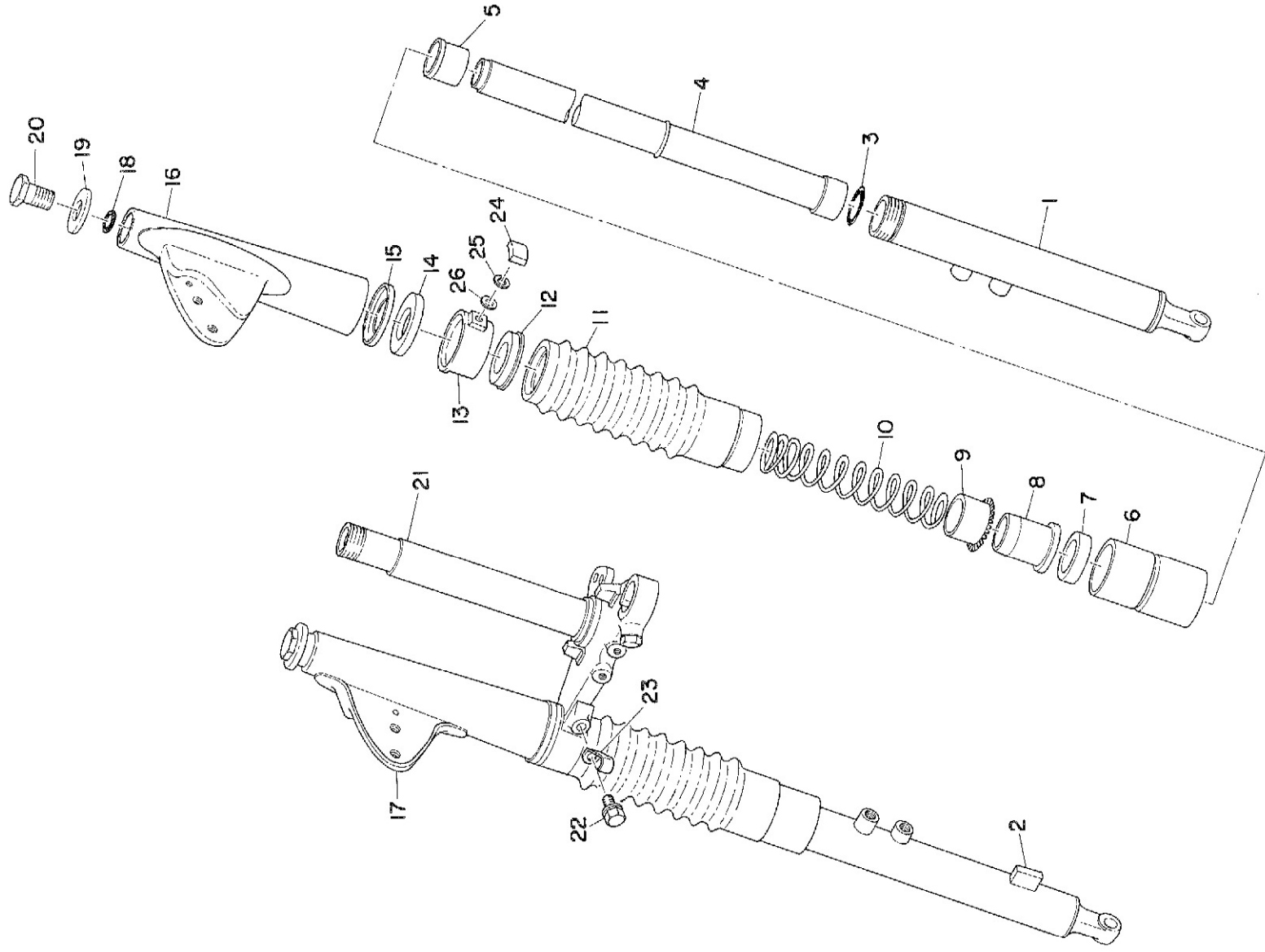
Fig. 17 FRONT FENDER · REAR FENDER



# FRONT FENDER · REAR FENDER

Ref. No.	Parts No.	Description	Q'ty	Applicable Machine No.	Remarks
17- 1	260-21510-00-93	FRONT FENDER COMP.	..... 1		
17- 2	97201-08012	BOLT	..... 4		
17- 3	92901-08100	WASHER, spring	..... 4		
17- 4	122-21517-00	PAD, wire	..... 4		
17- 5	260-21610-00-93	REAR FENDER COMP.	..... 1		
17- 6	97101-06015	BOLT	..... 4		
17- 7	92901-06100	WASHER, spring	..... 2		
17- 8	92901-06200	WASHER, plain	..... 2		

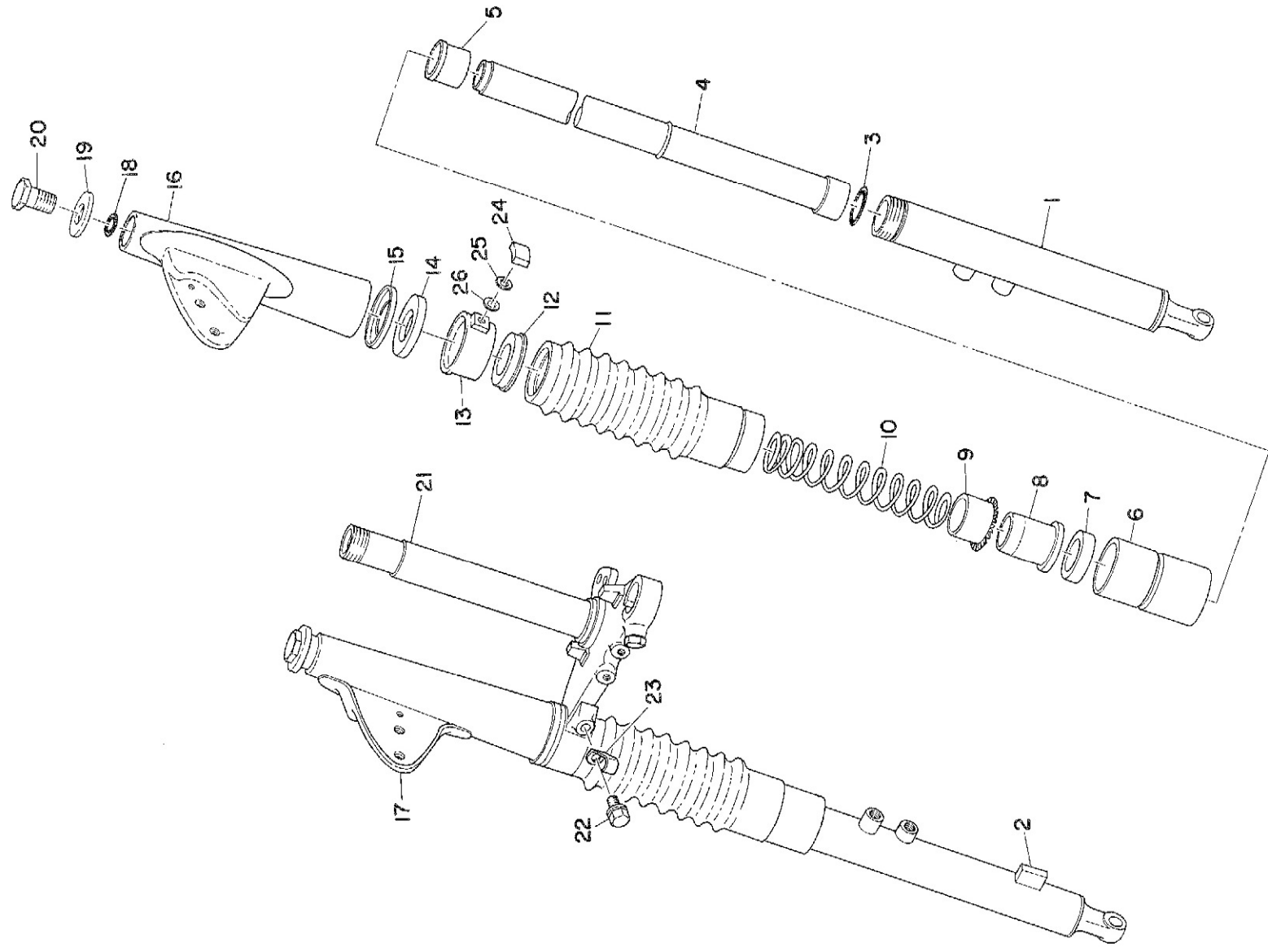
Fig. 18 FRONT FORK



# FRONT FORK

Ref. No.	Parts No.	Description	Q'ty	Applicable Machine No.	Remarks
18- 0-1	260-23100-10-R1	FRONT FORK ASS'Y	1		Popcicle-purple
	260-23100-10-21	FRONT FORK ASS'Y	1		Flores Green
	260-23100-10-52	FRONT FORK ASS'Y	1		Candy Orange
18- 1	260-23126-40-35	. TUBE, outer left	1		Silver
18- 2	260-23136-40-35	. TUBE, outer right	1		Silver
18- 3	207-23147-00	. O-RING	2		
18- 4	207-23124-00	. TUBE, inner left	1		
18- 4-1	207-23134-00	. TUBE, inner right	1		
18- 5	109-23125-00	. METAL, slide	2		
18- 6	209-23150-40	. OUTER NUT COMP.	2		
18- 7	109-23145-00	. . OIL SEAL	2		
18- 8	109-23143-00	. SEAT, spring under	2		
18- 9	207-23117-00	. GUIDE, spring	2		
18-10	207-23141-10	. SPRING, fork	2		
18-11	196-23191-40	. BOOT	2		
18-12	209-23142-40	. SEAT, spring under	2		
18-13	232-23122-40	. COVER, outer	2		
18-14	207-23163-00	. PACKING	2		
18-15	207-23116-01	. GUIDE, cover under	2		
18-16	260-23121-40-R1	. COVER, upper left	1		Popcicle-purple
	260-23121-40-21	. COVER, upper left	1		Flores Green
	260-23121-40-52	. COVER, upper left	1		Candy Orange
18-17	260-23131-40-R1	. COVER, upper right	1		Popcicle purple
	260-23131-40-21	. COVER, upper right	1		Flores Green
	260-23131-40-52	. COVER, upper right	1		Candy Orange

Fig. 18 FRONT FORK

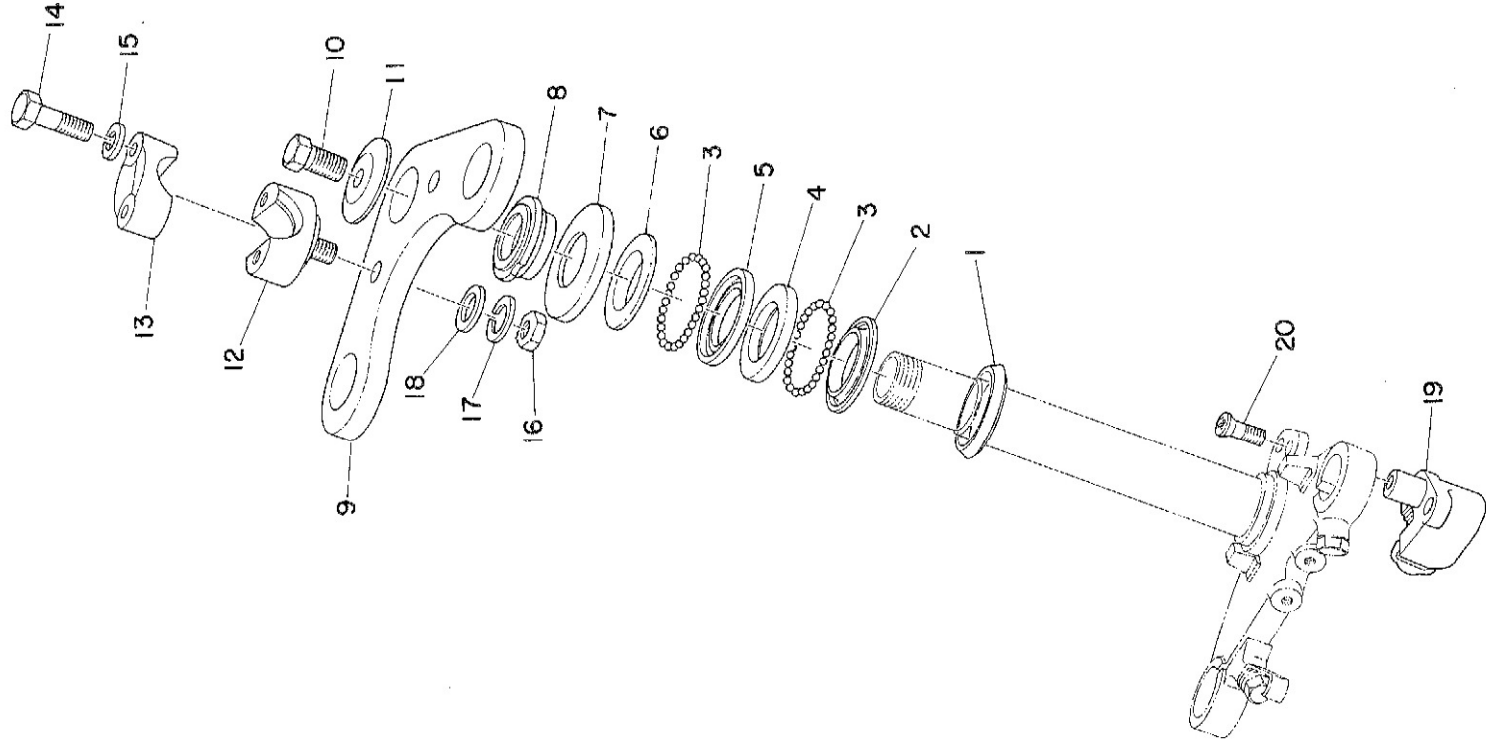


# FRONT FORK

Ref. No.	Parts No.	Description	Q'ty	Applicable Machine No.	Remarks
18-18	122-23114-00	. PACKING .....	2		
18-19	207-23112-00	. WASHER, cap .....	2		
18-20	260-23111-40	. BOLT, cap .....	2		
18-21	260-23340-40-33	. UNDER BRACKET COMP. ....	1		
18-22	122-23346-01	. BOLT, under bracket .....	2		
18-23	260-23318-40	. HOLDER, wire .....	1		
18-24	256-83329-00	PLUG, blind .....	2		
18-25	92901-05100	WASHER, spring .....	2		
18-26	92901-05200	WASHER, plain .....	2		



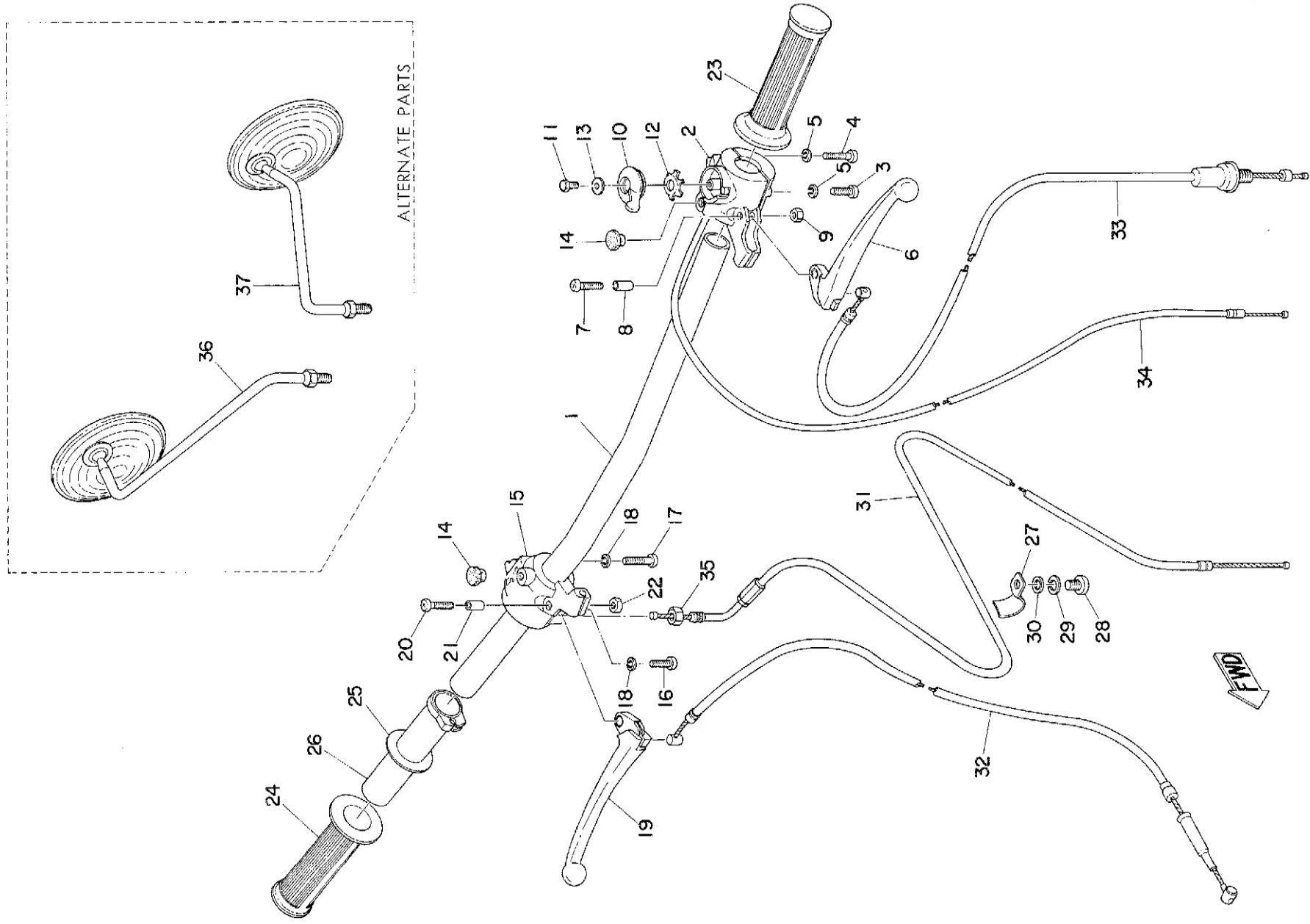
Fig. 19 STEERING



# STEERING

Ref. No.	Parts No.	Description	Qty	Applicable Machine No.	Remarks
19- 1	164-23462-00	SEAL, dust	1		
19- 2	156-23411-00	RACE, ball 1	1		
19- 3	93501-04011	BALL (1/4 inch)	38		
19- 4	156-23412-00	RACE, ball 2	1		
19- 5	183-23412-00	RACE, ball 2	1		
19- 6	183-23411-00	RACE, ball 1	1		
19- 7	136-23415-00	COVER, ball race	1		
19- 8	122-23453-00	NUT, fitting	1		
19- 9	185-23435-00-98	CROWN, handle	1		Frosting Black
19-10	122-23451-00	BOLT, fitting	1		
19-11	122-23443-00	WASHER, crown	1		
19-12	122-23442-02	HOLDER, handle under	2		
19-13	122-23441-00	HOLDER, handle upper	2		
19-14	91103-06035	BOLT	4		
19-15	92901-06100	WASHER, spring	4		
19-16	98801-10100	NUT	2		
19-17	92901-10100	WASHER, spring	2		
19-18	92901-10200	WASHER, plain	2		
19-19	260-23480-00	STEERING LOCK ASS'Y	1		
19-20	98601-05012	SCREW, ovalhead	2		

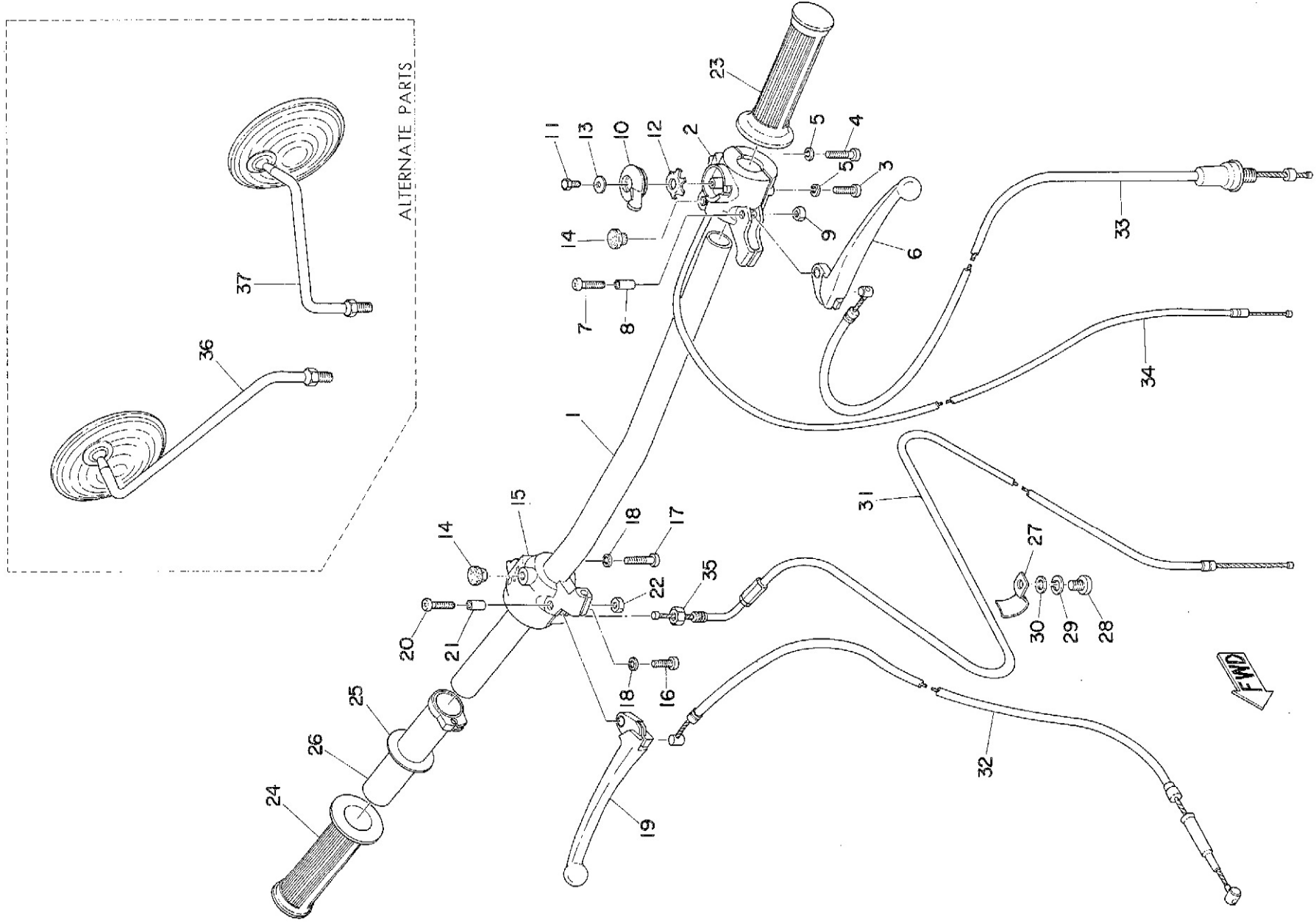
Fig. 20 HANDLE · WIRE



## HANDLE · WIRE

Ref. No.	Parts No.	Description	Q'ty	Applicable Machine No.	Remarks
20- 1	183-26111-20	HANDLE	1		
20- 2	137-82710-10-94	LEVER HOLDER ASS'Y, left	1		
20- 3	98501-05020	· SCREW, panhead	1		
20- 4	98501-05025	· SCREW, panhead	2		
20- 5	92901-05100	· WASHER, spring	3		
20- 6	137-83912-01	· LEVER, left	1		
20- 7	98503-05025	· SCREW, panhead	1		
20- 8	137-83913-01	· COLLAR, lever	1		
20- 9	98801-05100	· NUT	1		
20-10	137-83941-01	LEVER, starter	1		
20-11	137-83945-00	BOLT, lever	1		
20-12	137-83944-00	WASHER, starter	1		
20-13	92901-06200	WASHER, plain	1		
20-14	116-83931-00	PLUG, blind	2		
20-15	109-82820-10-94	LEVER HOLDER ASS'Y, right	1		
20-16	98501-05020	· SCREW, panhead	1		
20-17	98501-05025	· SCREW, panhead	2		
20-18	92901-05100	· WASHER, spring	3		
20-19	137-83922-01	· LEVER, right	1		
20-20	98503-05025	· SCREW, panhead	1		
20-21	137-83913-01	· COLLAR, lever	1		
20-22	98801-05100	· NUT	1		
20-23	136-26241-00	GRIP, left	1		

Fig. 20 HANDLE · WIRE



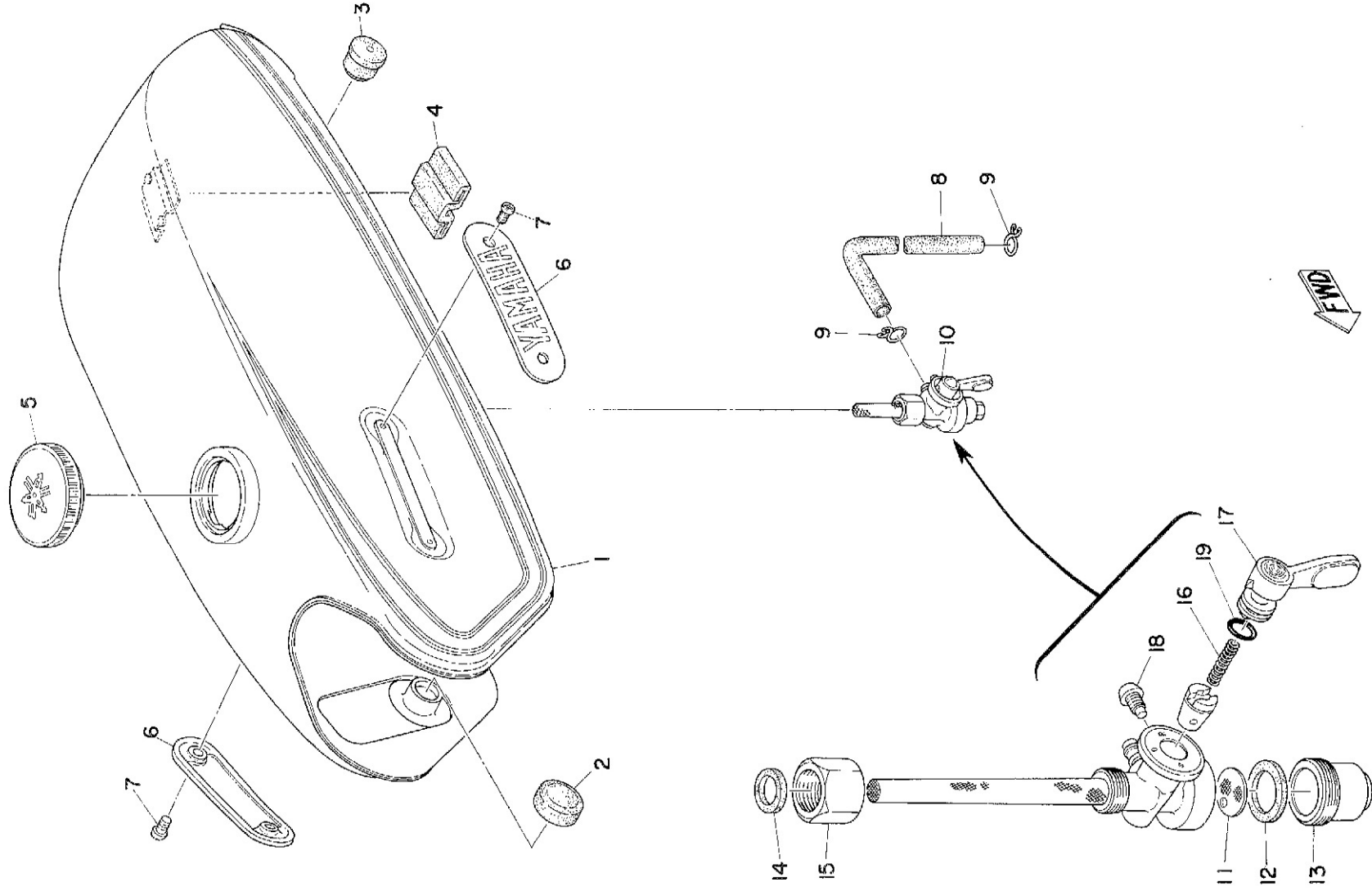
# HANDLE · WIRE

Ref. No.	Parts No.	Description	Q'ty	Applicable Machine No.	Remarks
20-24	137-26242-60	GRIP, right	1		
20-25	150-26249-00	RING, leaf	1		
20-26	137-26243-60	TUBE, guide	1		
20-27	128-26278-00	CLIP, wire	1		
20-28	92501-06008	SCREW, panhead	1		
20-29	92901-06100	WASHER, spring	1		
20-30	92901-06200	WASHER, plain	1		
20-31	283-26311-20	WIRE, throttle	1		
20-32	109-26341-20	WIRE, brake	1		
20-33	260-26335-20	WIRE, clutch	1		
20-34	137-26331-30	WIRE, starter	1		
20-35	169-26251-00	NUT, adjusting	1		

## ALTERNATE PARTS

20-36	266-26290-00	BACK MIRROR ASS'Y, right	1		
20-37	266-26290-10	BACK MIRROR ASS'Y, left	1		

Fig. 21 FUEL TANK

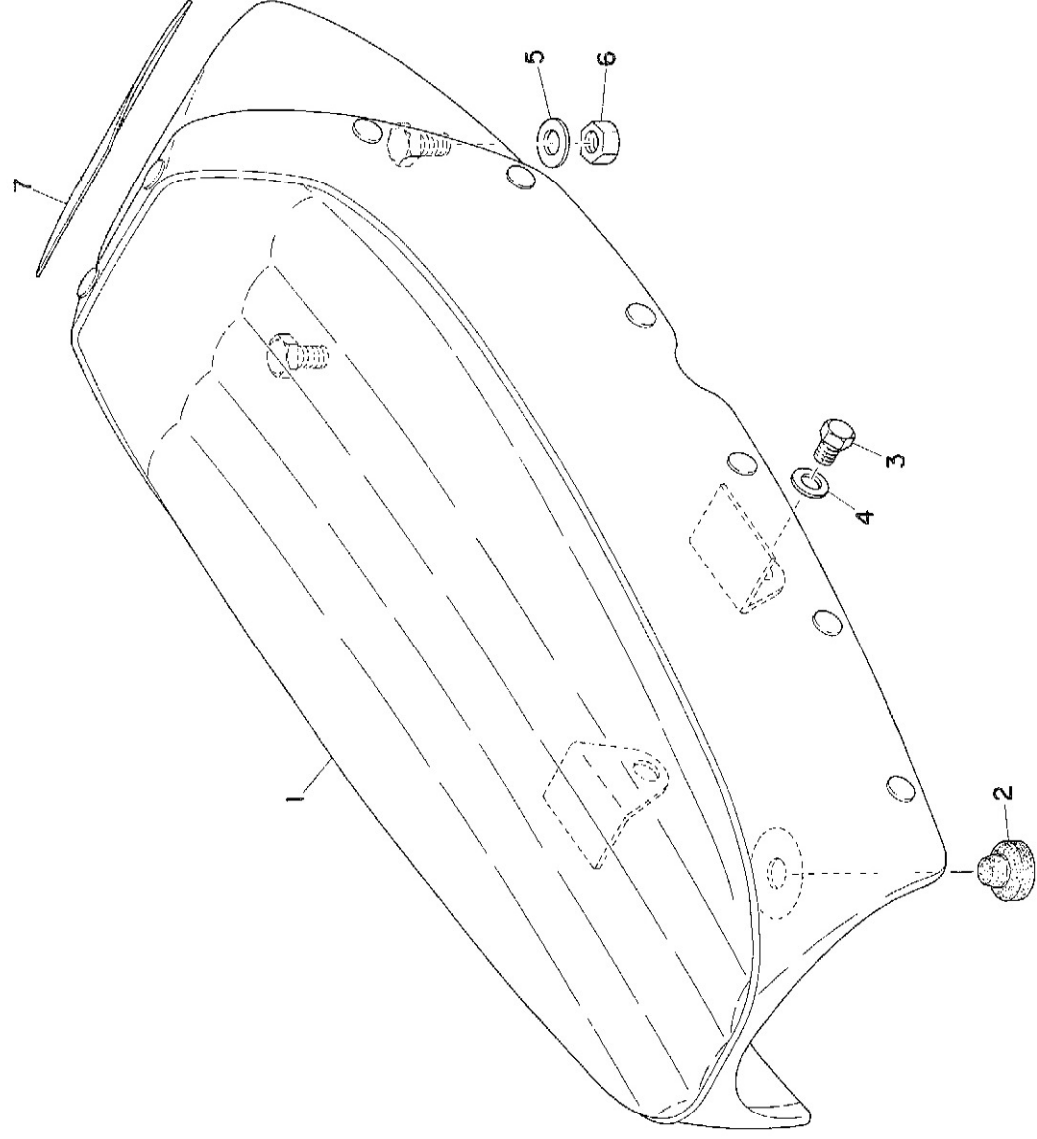


## FUEL TANK

Ref. No.	Parts No.	Description	Q'ty	Applicable Machine No.	Remarks
21- 1	260-24110-00-X1	FUEL TANK COMP. ....	1		Candy Orange
	260-24110-00-X2	FUEL TANK COMP. ....	1		Flores Green
	260-24110-00-X3	FUEL TANK COMP. ....	1		Popcicle-purple
21- 2	122-24181-00	DAMPER, locating 1 .....	2		
21- 3	122-24182-01	DAMPER, locating 2 .....	2		
21- 4	129-24183-00	DAMPER, locating 3 .....	1		
21- 5	122-24610-01	CAP ASS'Y .....	1		
21- 6	129-24161-00	EMBLEM, fuel tank .....	2		
21- 7	98501-04008	SCREW, panhead .....	4		
21- 8	156-21766-00	PIPE, fuel .....	1		
21- 9	101-24356-00	CLIP, pipe .....	2		
21-10	127-24500-00	FUEL COCK ASS'Y .....	1		
21-11	122-24515-00	. NET, filter .....	1		
21-12	102-24522-00	. GASKET, filter .....	1		
21-13	122-24521-00	. CUP, filter .....	1		
21-14	122-24532-00	. GASKET, nut .....	1		
21-15	122-24531-00	. NUT .....	1		
21-16	102-24529-00	. SPRING .....	1		
21-17	122-24524-00	. LEVER, cock .....	1		
21-18	127-24535-00	. SCREW, lever fitting .....	1		
21-19	122-24534-00	. SEAL, cock lever .....	1		



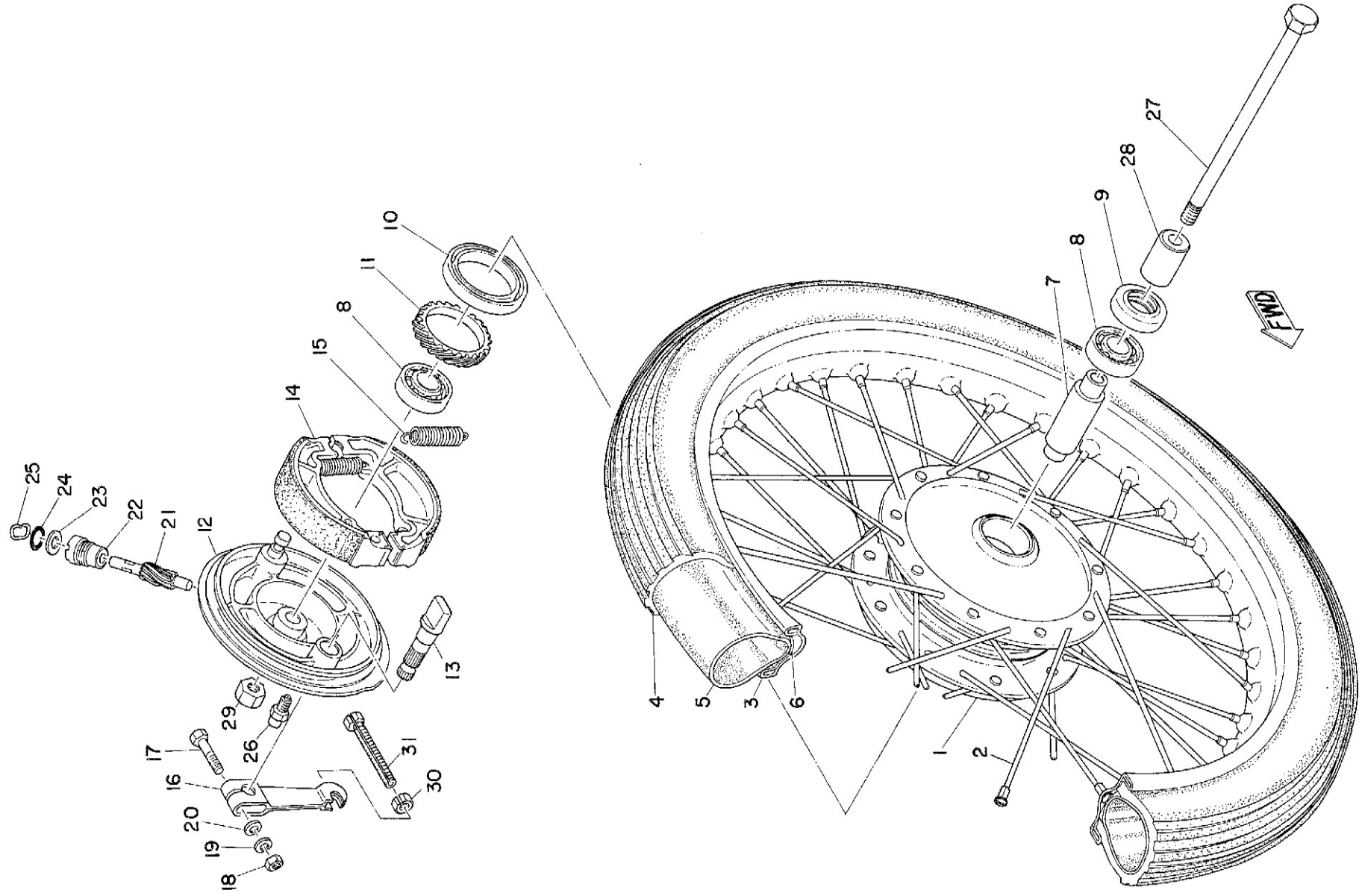
Fig. 22 SEAT



# SEAT

Ref. No.	Parts No.	Description	Q'ty	Applicable Machine No.	Remarks
22- 1	260-24770-00-R1	SEMI-DOUBLE SEAT ASS'Y	1		Popcicle-purple
	260-24770-00-21	SEMI-DOUBLE SEAT ASS'Y	1		Floros Green
	260-24770-00-52	SEMI-DOUBLE SEAT ASS'Y	1		Candy Orange
22- 1-1	260-24771-00	. COVER, seat	1		
22- 2	174-24741-00	PAD, seat	2		
22- 3	91201-06012	BOLT	2		
22- 4	92901-06200	WASHER, plain	2		
22- 5	92901-08200	WASHER, plain	2		
22- 6	98801-08100	NUT	2		
22- 7	260-24786-00	EMBLEM, seat	1		Marine Blue

Fig. 23 FRONT WHEEL



# FRONT WHEEL

Ref. No.	Parts No.	Description	Qty	Applicable Machine No.	Remarks
23- 1	109-25111-00	HUB, front	1		
23- 2	109-25104-00	SPOKE SET	1s		
23- 3	94412-17002	RIM (1.20-17)	1		
23- 4	94122-17008	TIRE, front (2.25-17-4PR)	1		
23- 5	94222-17003	TUBE (2.25-17)	1		
23- 6	94322-17002	BAND, rim (2.25-17)	1		
23- 7	102-25117-00	SPACER, bearing	1		
23- 8	93306-20204	BEARING (6202Z)	2		
23- 9	93106-20001	OIL SEAL (DD-20-35-7)	1		
23-10	93107-42001	OIL SEAL (OS-42-52.5-7)	1		
23-11	109-25135-00	GEAR, drive	1		
23-12	109-25121-01	PLATE, brake shoe	1		
23-13	122-25351-01	CAM SHAFT	1		
23-14	296-25330-00	BRAKE SHOE COMP.	2		
23-15	102-25333-00	SPRING, return	2		
23-16	109-25155-00	LEVER, cam shaft	1		
23-17	91201-06030	BOLT	1		
23-18	92801-06100	NUT	1		
23-19	92901-06100	WASHER, spring	1		
23-20	92901-06200	WASHER, plain	1		
23-21	141-25138-00	GEAR, meter	1		
23-22	109-25136-00	BUSHING	1		
23-23	93104-07003	OIL SEAL (SO-7-14-4)	1		



## FRONT WHEEL

Ref. No.	Parts No.	Description	Q'ty	Applicable Machine No.	Remarks
23-24	93210-14104	O-RING (24-13.8)	..... 1		
23-25	102-25137-00	RING, stop	..... 1		
23-26	93700-06001	NIPPLE, grease	..... 1		
23-27	128-25181-00	SHAFT, front wheel	..... 1		
23-28	128-25183-00	COLLAR, wheel shaft	..... 1		
23-29	98801-10100	NUT	..... 1		
23-30	109-26344-00	NUT, wire adjusting	..... 1		
23-31	109-26345-00	BOLT, wire adjusting	..... 1		



## REAR WHEEL

Ref. No.	Parts No.	Description	Qty	Applicable Machine No.	Remarks
24- 1	132-25311-00	HUB, rear	1		
24- 2	122-25304-00	SPOKE SET	1s		
24- 3	94414-17003	RIM (1.40-17)	1		
24- 4	94125-17012	TIRE, rear (2.50-17-4PR)	1		
24- 5	94225-17005	TUBE (2.50-17)	1		
24- 6	94325-17004	BAND, rim (2.50-17)	1		
24- 7	102-25317-00	SPACER, bearing	1		
24- 8	102-25315-00	FLANGE, spacer	1		
24- 9	93306-30101	BEARING (6301)	1		
24-10	93104-21016	OIL SEAL (SO-21-37-7)	1		
24-11	93306-30103	BEARING (6301Z)	1		
24-12	93210-41041	O-RING (4-40.5)	1		
24-13	132-25364-00	DAMPER, clutch	4		
24-14	102-25321-00	PLATE, brake shoe	1		
24-15	122-25351-01	CAM SHAFT	1		
24-16	296-25330-00	BRAKE SHOE COMP.	2		
24-17	102-25333-00	SPRING, return	2		
24-18	122-25355-00	LEVER, cam shaft	1		
24-19	91201-06030	BOLT	1		
24-20	92801-06100	NUT	1		
24-21	92901-06100	WASHER, spring	1		
24-22	92901-06200	WASHER, plain	1		
24-23	132-25366-01	CLUTCH, hub	1		





## REAR WHEEL

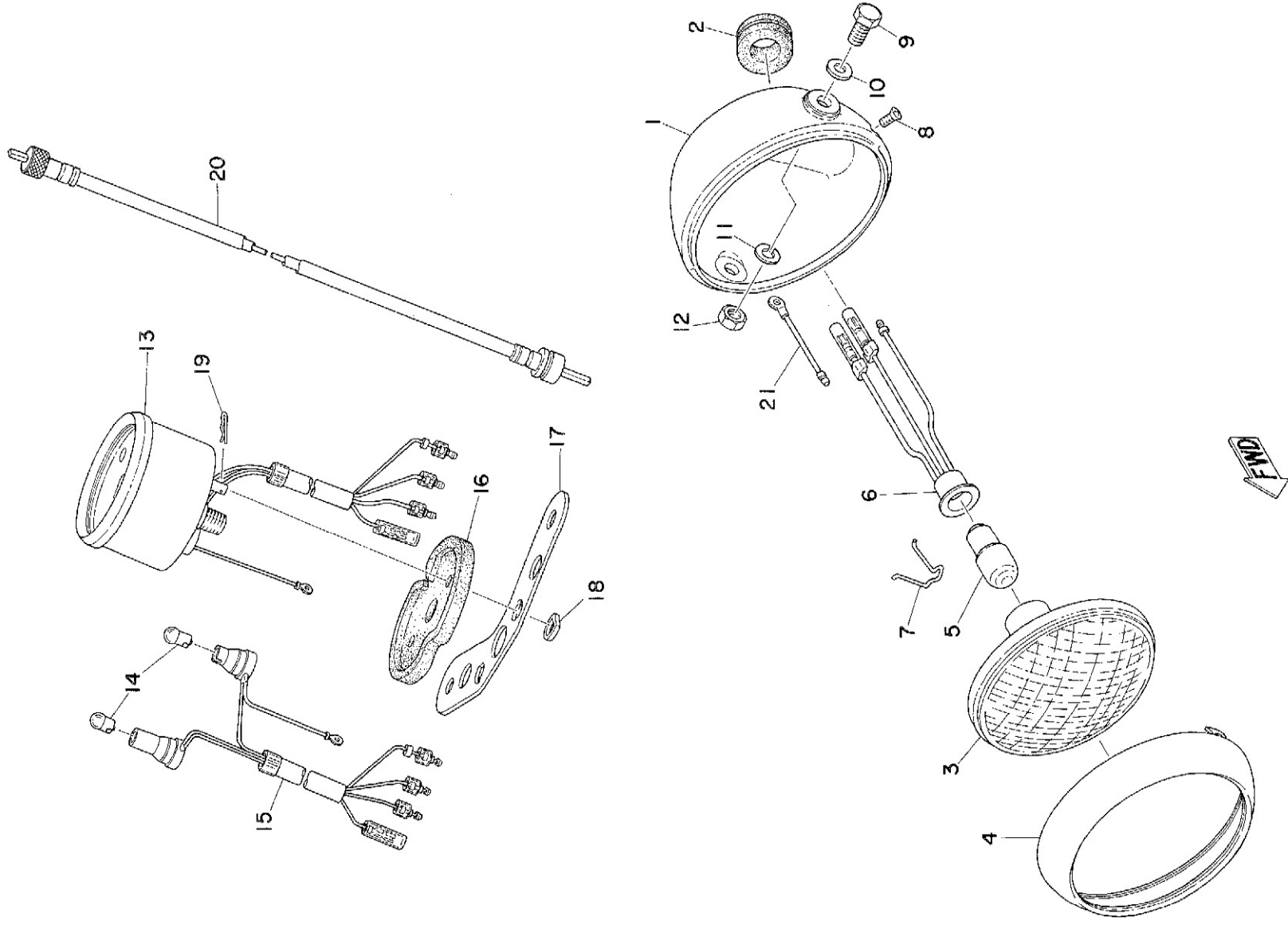
Ref. No.	Parts No.	Description	Qty	Applicable Machine No.	Remarks
24-24	102-25412-00	WASHER, lock	2		
24-25	207-25411-00	BOLT, fitting	4		
24-26	98801-08200	NUT	4		
24-27	122-25443-10	GEAR, sprocket wheel (43T)	1		
24-28	180-25381-00	SHAFT, wheel	1		
24-29	102-25389-00	PULLER, chain right	1		
24-30	102-25383-00	COLLAR, wheel shaft	1		
24-31	102-25387-02	SHAFT, sprocket	1		
24-32	93306-00406	BEARING (6004)	1		
24-33	93420-42007	CIRCLIP (R-42)	1		
24-34	93106-30004	OIL SEAL (DD-30-42-8)	1		
24-35	102-25386-01	COLLAR, shaft	1		
24-36	127-25388-00	PULLER, chain left	1		
24-37	102-25385-01	NUT, shaft	1		
24-38	98801-10100	NUT	1		
24-39	98801-06100	NUT	2		
24-40	92901-06100	WASHER, spring	2		
24-41	92901-06200	WASHER, plain	2		
24-42	102-25371-00	BAR, tension	1		
24-43	102-25373-00	BOLT, tension bar	1		
24-44	102-25374-00	SPRING, tension bar	1		
24-45	98801-08300	NUT	2		



## REAR WHEEL

Ref. No.	Parts No.	Description	Q'ty	Applicable Machine No.	Remarks
24-46	92901-08100	WASHER, spring	1		
24-47	102-25375-00	CLIP, tension bar	1		
24-48	92901-08200	WASHER, plain	1		
24-49	91401-20012	PIN, cotter	1		
24-50	156-27237-00	PIN, clevis	1		
24-51	180-27236-00	SPRING, rod	1		
24-52	206-27238-00	NUT, adjusting	1		
24-53	92901-06200	WASHER, plain	1		
24-54	94504-20096	CHAIN (420-96L)	1		
24-54-1	94604-20001	JOINT, chain	1		

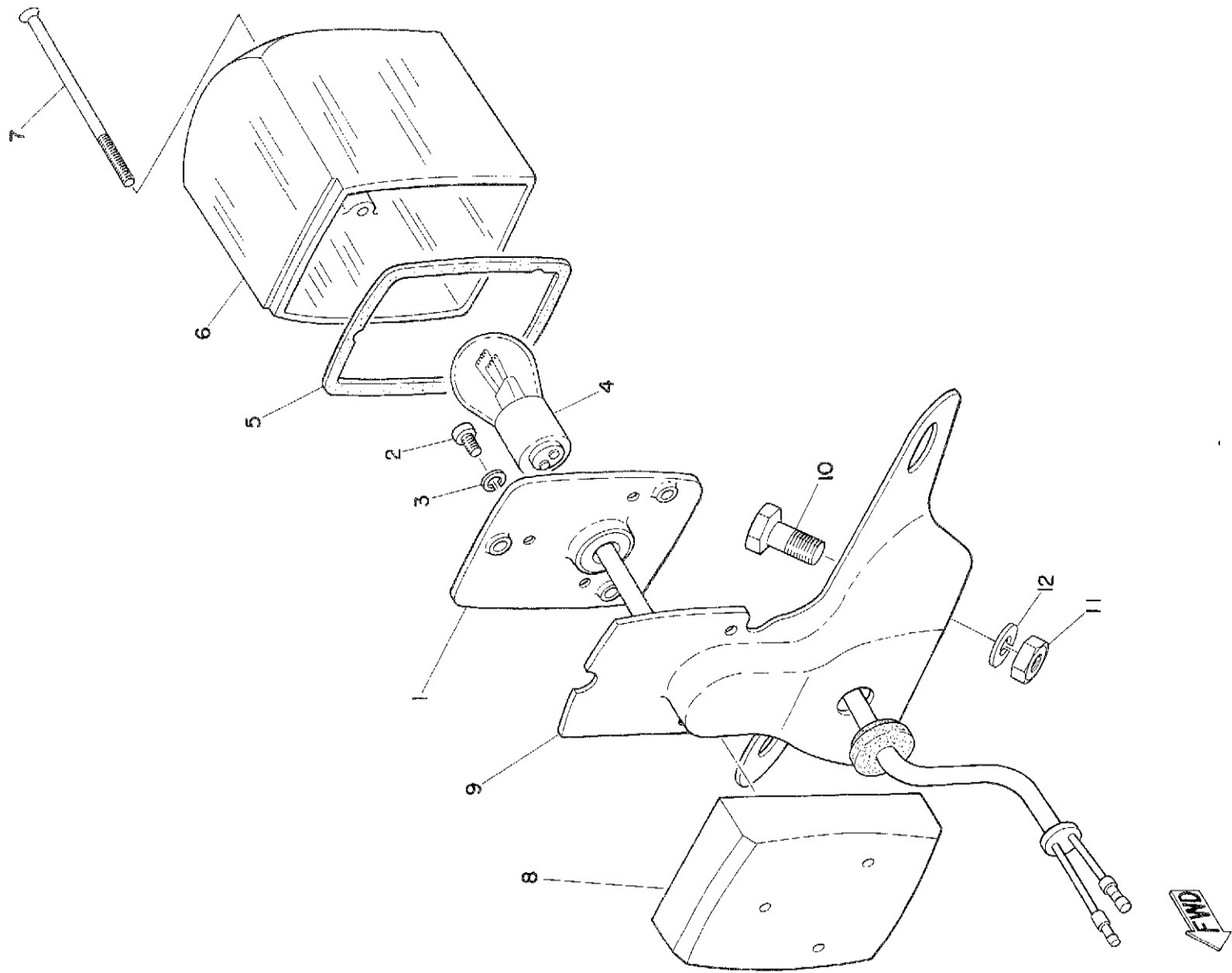
Fig. 25 HEAD LAMP - SPEEDOMETER



## HEAD LAMP · SPEEDOMETER

Ref. No.	Parts No.	Description	Qty	Applicable Machine No.	Remarks
25- 1	241-84330-00-R1	BODY ASS'Y	1		Popcicle-purple
	241-84330-00-21	BODY ASS'Y	1		Flores Green
	241-84330-00-52	BODY ASS'Y	1		Candy Orange
25- 2	150-84153-00	· GROMMET	2		
25- 0-1	260-84110-00	HEAD LAMP UNIT ASS'Y	1		
25- 3	195-84320-00	· LENS ASS'Y	1		
25- 4	195-84315-01	· RIM, head lamp	1		
25- 5	104-84114-00	· BULB (6V-15WD)	1		
25- 6	241-84312-00	· SOCKET ASS'Y	1		
25- 7	195-84324-00	· SPRING, reflector set	3		
25- 8	195-84325-00	· SCREW, rim fitting	1		
25- 9	97203-08018	BOLT	2		
25-10	92901-08200	WASHER, plain	2		
25-11	92901-08100	WASHER, spring	2		
25-12	98801-08300	NUT	2		
25-13	260-83510-11	SPEEDOMETER ASS'Y	1		Km/h
25-14	122-83516-10	· BULB (6V3W)	2		
25-15	260-83520-11	· SOCKET ASS'Y	1		
25-16	237-83523-00	DAMPER	1		
25-17	260-83519-00-98	BRACKET, speedometer	1		Frosting Black
25-18	214-83524-00	WASHER, special	2		
25-19	156-83525-00	CLIP	2		
25-20	260-83550-00	SPEEDOMETER CABLE ASS'Y	1		
25-21	173-84313-00	WIRE, earth	1		

Fig. 26 TAIL LAMP

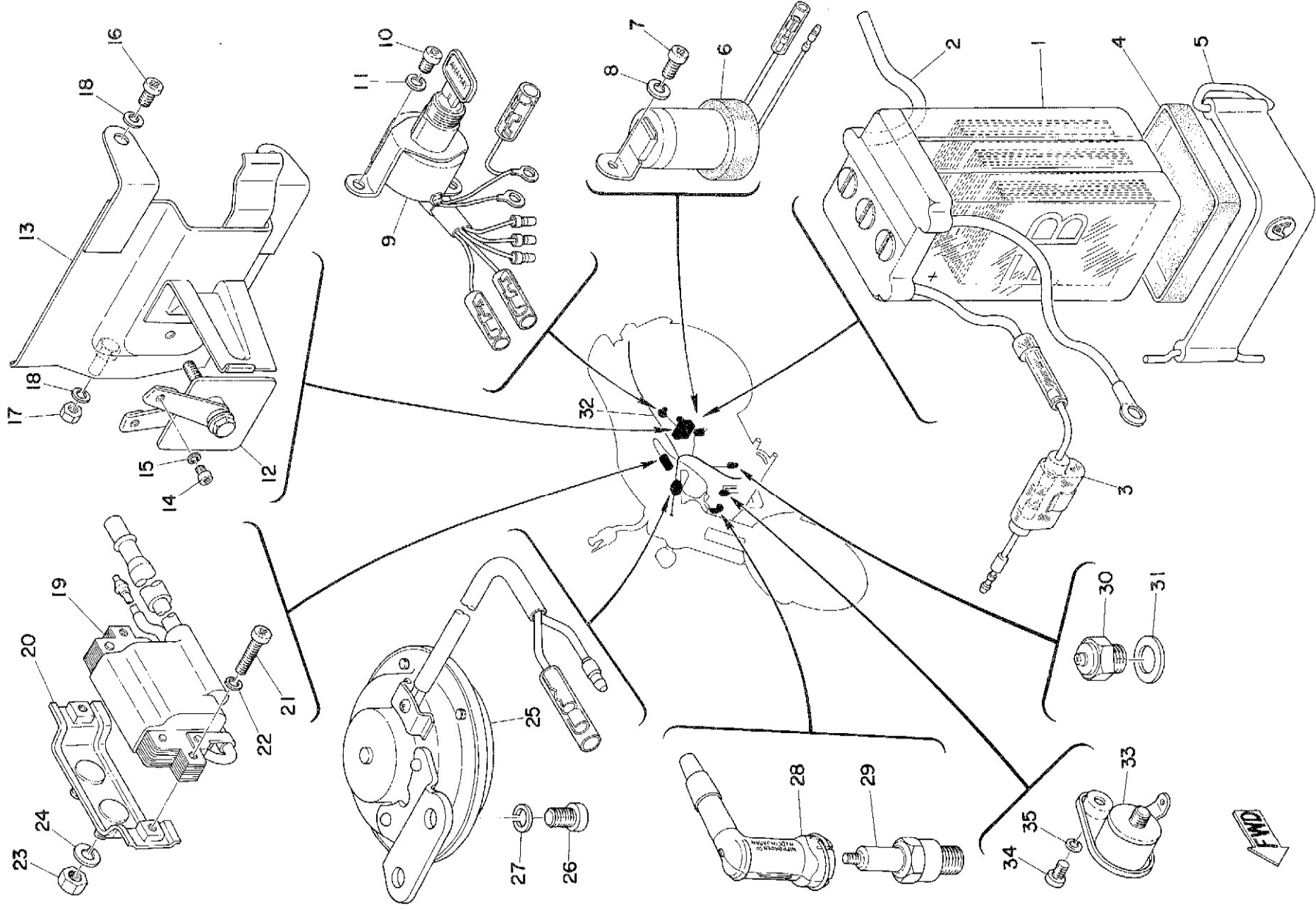


# TAIL LAMP

Ref. No.	Parts No.	Description	Qty	Applicable Machine No.	Remarks
26- 0-1	202-84510-00	TAIL LAMP UNIT ASS'Y	..... 1		
26- 1	201-84711-00	. BASE, tail lamp	..... 1		
26- 2	98501-04010	. SCREW, panhead	..... 3		
26- 3	92901-04100	. WASHER, spring	..... 3		
26- 4	122-84514-00	. BULB (6V-10/3W)	..... 1		
26- 5	164-84723-00	. GASKET, tail lamp	..... 1		
26- 6	164-84721-00	. LENS, tail lamp	..... 1		
26- 7	201-84724-00	. SCREW, lens fitting	..... 3		
26- 8	201-84716-00	. COVER, tail lamp	..... 1		
26- 9	164-84751-00-35	BRACKET, licence	..... 1		Silver
26-10	91201-06012	BOLT	..... 3		
26-11	98801-06100	NUT	..... 3		
26-12	92901-06100	WASHER, spring	..... 3		



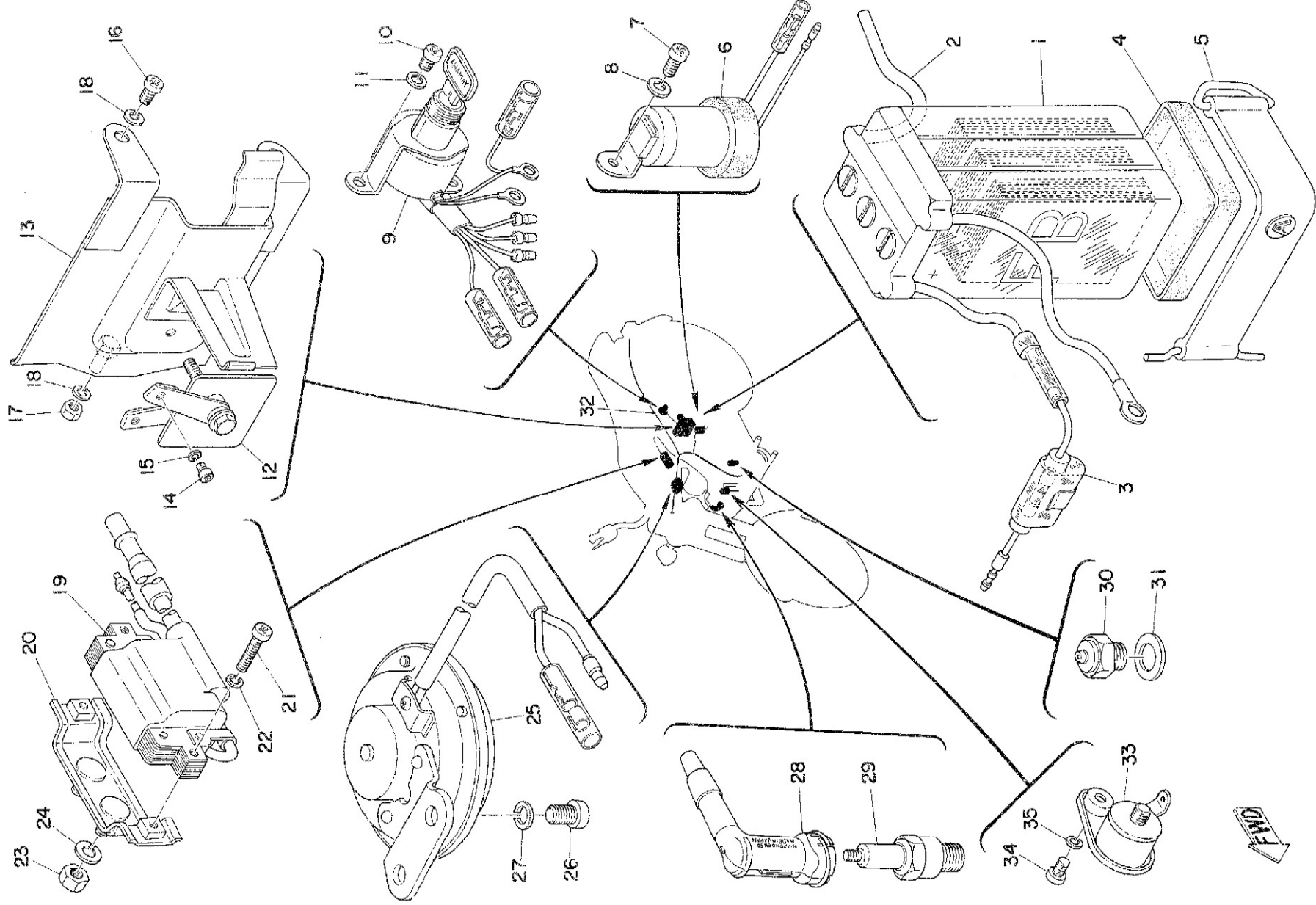
Fig. 27 ELECTRICAL



# ELECTRICAL

Ref. No.	Parts No.	Description	Qty	Applicable Machine No.	Remarks
27- 1	104-82110-20	BATTERY ASS'Y	.....	U.R. 1	FURUKAWA YUASA
	104-82110-30	BATTERY ASS'Y	.....		
27- 1-1	104-82111-20	. CAP, battery	.....		
27- 2	123-82112-00	PIPE, breather	.....	1	
27- 3	116-82150-00	FUSE HOLDER ASS'Y	.....	1	
27- 3-1	116-82151-00	. FUSE (6V-10A)	.....	2	
27- 4	104-82122-00	SEAT, battery	.....	1	
27- 5	164-82131-00	BAND, battery	.....	1	
27- 6	220-83350-10	FLASHER RELAY ASS'Y	.....	1	
27- 7	92501-06012	SCREW, panhead	.....	1	
27- 8	92901-06100	WASHER, spring	.....	1	
27- 9	260-82508-20	MAIN SWITCH ASS'Y	.....	1	
27-10	92501-06010	SCREW, panhead	.....	2	
27-11	92901-06100	WASHER, spring	.....	2	
27-12	127-81970-40	RECTIFIER ASS'Y	.....	1	
27-13	220-81975-00	PLATE, rectifier fitting	.....	1	
27-14	98501-04008	SCREW, panhead	.....	2	
27-15	92901-04100	WASHER, spring	.....	2	
27-16	92501-06010	SCREW, panhead	.....	2	
27-17	98801-06100	NUT	.....	1	
27-18	92901-06100	WASHER, spring	.....	3	
27-19	206-82310-30	IGNITION COIL ASS'Y	.....	U.R. 1	
	206-82310-40	IGNITION COIL ASS'Y	.....		
27-20	206-82312-01	HOLDER, coil fitting	.....	1	

Fig. 27 ELECTRICAL



FWD

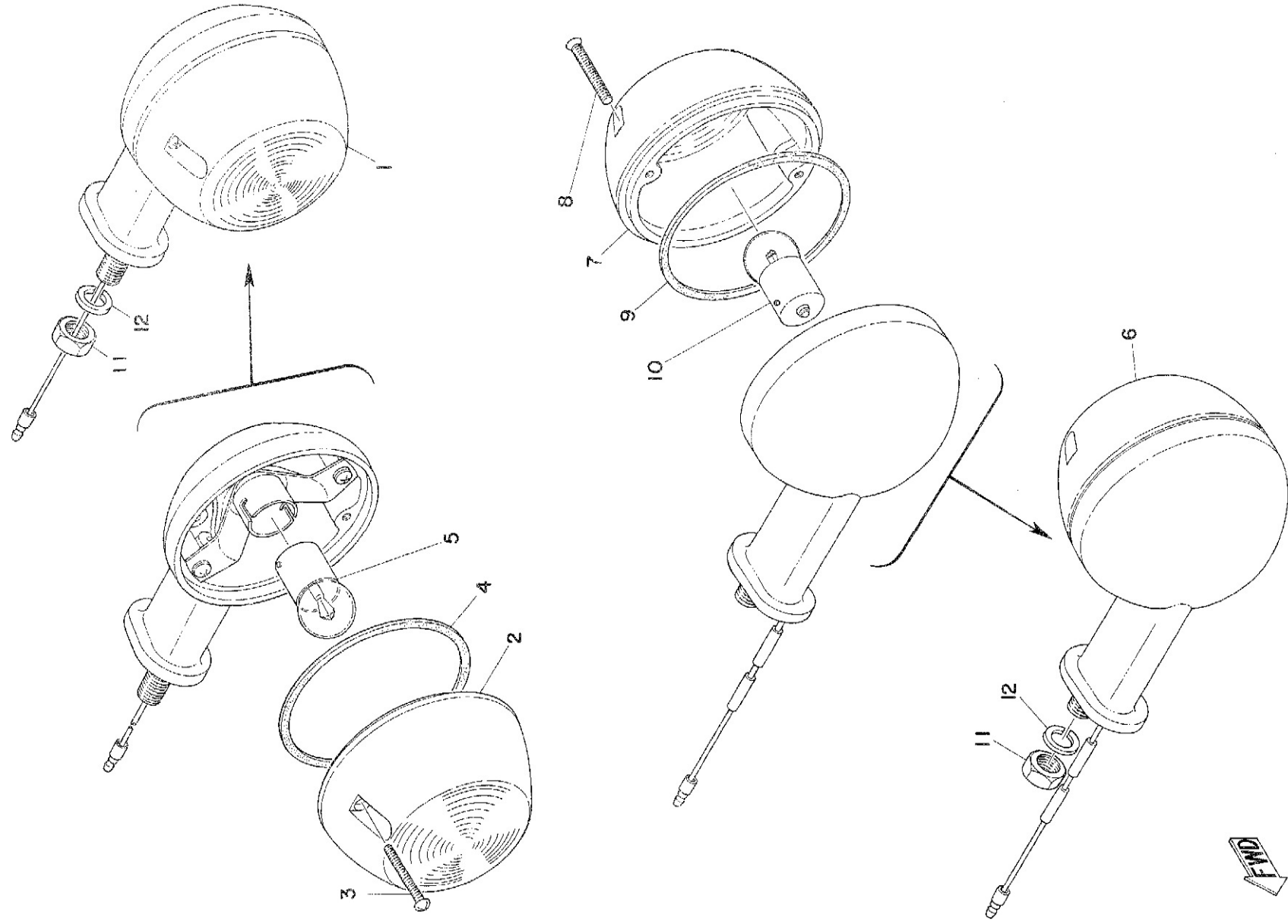
# ELECTRICAL

Ref. No.	Parts No.	Description	Q'ty	Applicable Machine No.	Remarks
27-21	98501-05020	SCREW, panhead	2		
27-22	92901-05100	WASHER, spring	2		
27-23	98801-06100	NUT	2		
27-24	92901-06100	WASHER, spring	2		
27-25	260-83371-10	HORN	1		
27-26	92501-06010	BOLT	2		
27-27	92901-06100	WASHER, spring	2		
27-28	808-82370-10	PLUG CAP ASS'Y	1		
27-29	94701-00040	PLUG, spark (B-7HS)	1		
27-30	136-82540-00	NEUTRAL SWITCH ASS'Y	1		
27-31	102-82543-00	GASKET	1		
27-32	260-82590-20	WIRE HARNESS ASS'Y	1		
27-33	122-82530-00	STOP SWITCH ASS'Y	1		
27-34	98501-05010	SCREW, panhead	1		
27-35	92901-05100	WASHER, spring	1		

# ALTERNATE PARTS



Fig. 28 FLASHER LAMP



## FLASHER LAMP

Ref. No.	Parts No.	Description	Qty	Applicable Machine No.	Remarks
28- 1	260-83310-35-93	FRONT FLASHER LAMP ASS'Y . . .	2		
28- 2	183-83332-20	. LENS, flasher . . . . .	2		
28- 3	183-83333-21	. SCREW, lens fitting . . . . .	4		
28- 4	183-83313-70	. GASKET, flasher lens . . . . .	2		
28- 5	185-83311-10	. BULB, flasher (6V-8W) . . . . .	2		
28- 6	206-83340-35-93	REAR FLASHER LAMP ASS'Y, left	1		
	206-83330-35-93	REAR FLASHER LAMP ASS'Y, right	1		
28- 7	183-83332-20	. LENS, flasher . . . . .	2		
28- 8	183-83333-21	. SCREW, lens fitting . . . . .	4		
28- 9	183-83313-70	. GASKET, flasher lens . . . . .	2		
28-10	185-83311-10	. BULB, flasher (6V-8W) . . . . .	2		
28-11	98801-08300	NUT . . . . .	4		
28-12	92901-08100	WASHER, spring . . . . .	4		

# NUMERICAL INDEX

