

YAMAHA

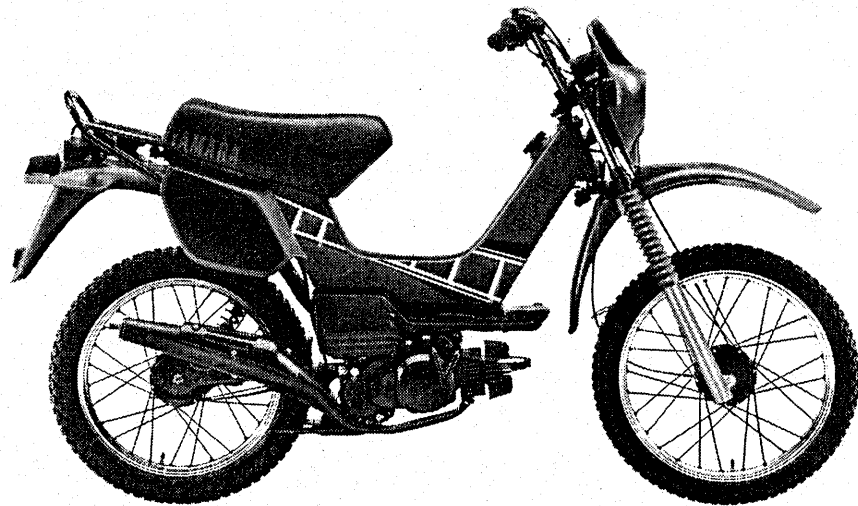
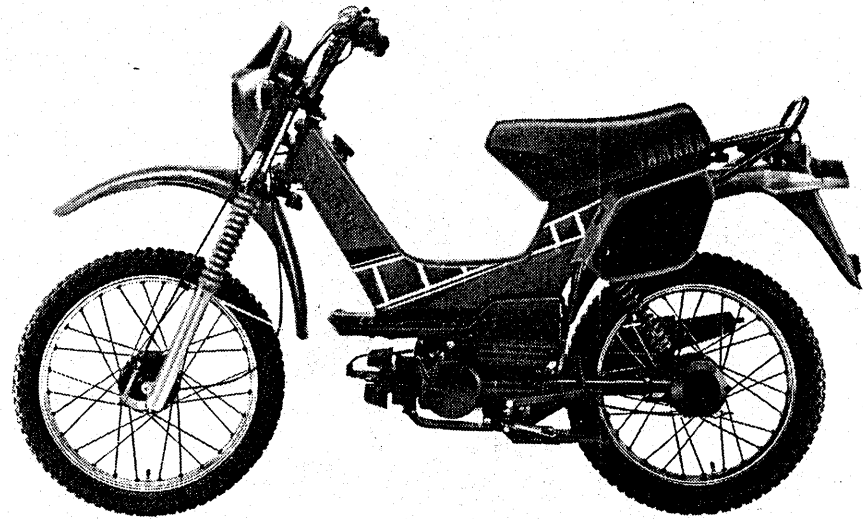
PARTS CATALOGUE

SG50'84 (34V)

DENMARK

1434V-331E1

A2



A3

FOREWORD

This Parts Catalogue is related to the parts in use for the Yamaha SG 50 '84 (34V).
When you are ordering replacement parts for the SG 50 '84 (34V), refer to this Parts Catalogue and quote both part numbers and part names correctly.

1. Modifications or additions which have been made after issue of the Parts Catalogue will be announced in the Yamaha Parts News.

It is advisable that according to the Yamaha Parts News you make necessary corrections to the Parts Catalogue on hand to keep it up-to-date.

2. Abbreviations

The following abbreviations are used in this Parts Catalogue.

- U.R. Use size (thickness) and/or number as required.
- U.N. Use as many as you need.
- A.P. Alternate Parts
- L.M. Local Made
- F# Frame No. (Applicable machine No.)

3. The parts marked with (*) in the parts number column of this Catalogue are not supplied with by Yamaha, those have to be found locally.

4. Parts, which are to be supplied in the form of assemblies, are listed with an indentation of one letter's space, and a dot (.) is put against the name of each part.

EXAMPLE CARBURETOR ASS'Y
 . JET, pilot
 . NOZZLE, main

5. Indication of No. of constituent parts for assembly

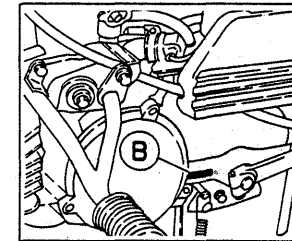
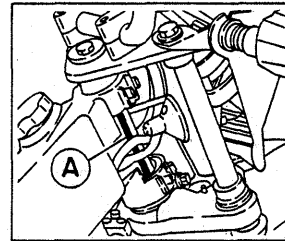
The numeral appearing to the right of each constituent part under the description indicates the quantity of such parts for each individual assembly unit.

EXAMPLE

Part No.	Description	Q'ty	Remarks
2F5-83310-60	FRONT FLASHER LIGHT ASS'Y	2	
115-83311-60	. BULB (6V-18W)	1	
1M1-83309-60	. REFLECTOR	1	

6. Initial Serial No. and Color Code

(A) Frame Serial No.	34V-000101 and following
(B) Engine Serial No.	34V-000101 and following



Color Code	Color Name	Abbreviate
	Clean White	W
	Chappy Red	CPR
	Yamaha Black	YB

7. Applicable colors of graphics are represented in the "Remarks" column by the letter(s) appropriately picked out of the full word(s) showing such colors.

EXAMPLE

Part No.	Description	Q'ty	Remarks
2N4-24110-00-X5	FUEL TANK COMP.	1	MAXIM RED
3J1-24240-10	. GRAPHIC, fuel tank set	1	for MXR

CONTENTS

ENGINE

Cylinder Head	B2
Crankshaft · Piston	B3
Oil Pump	B4
Intake	B5
Carburetor	B6
Exhaust	B7
Crankcase	B8
Starter	B9
Clutch	B10
Transmission	B11

CHASSIS

Frame	B12
Fender	B13
Side Cover	B14 ~ B15
Oil Tank	C2
Rear Arm · Suspension	C3
Drive Shaft	C4
Steering	C5 ~ C6
Front Fork	C7
Seat	C8
Front Wheel	C9 ~ C10
Rear Wheel	C11
Steering Handle · Cable	C12
Stand · Footrest	C13
Generator	C14
Meter	C15
Headlight	D2
Taillight	D3

Handle Switch · Lever	D4
Electrical 1	D5

ALTERNATE PARTS

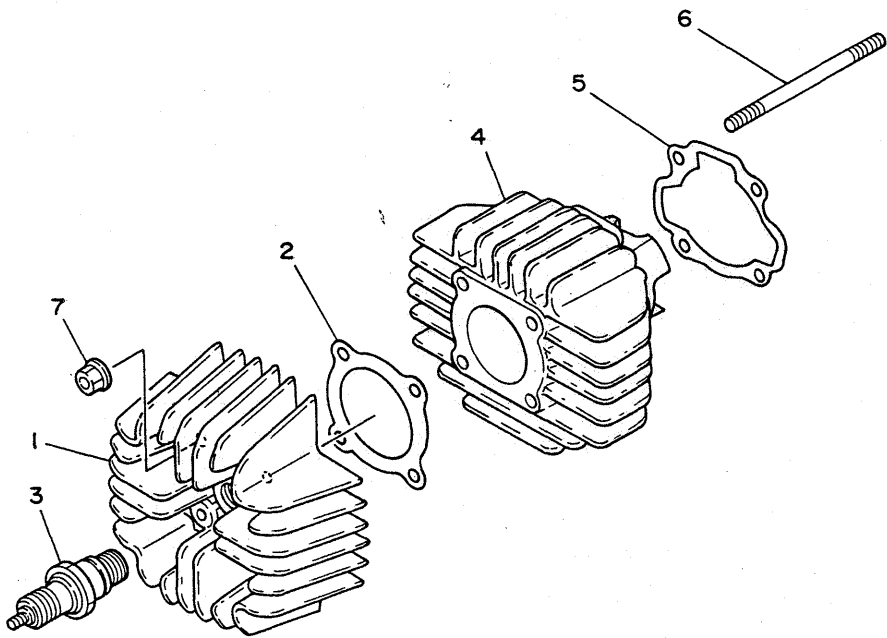
Alternate (Flasher Light)	D6
Alternate (Electrical)	D7

INDEX

Numerical Index	L1 ~ L2
Parts Name Index	M1 ~ M4

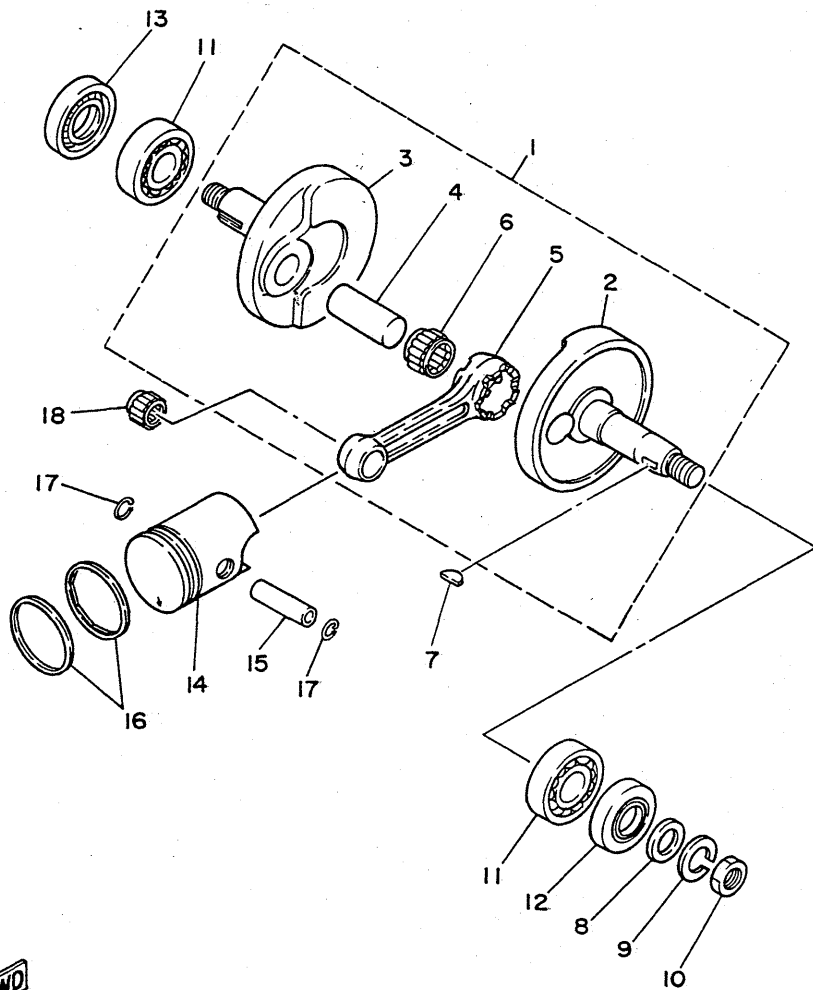
FIG. 1 CYLINDER HEAD

REF. NO.	PART NO.	DESCRIPTION	Q'TY	REMARKS
1	34M-11111-00	HEAD, cylinder 1	1	
2	517-11181-00	GASKET, cylinder head 1	1	
3	94701-00198	PLUG, spark (NGK BPR6HS)	1	
4	34N-11311-00	CYLINDER 1	1	
5	2E9-11351-00	GASKET, cylinder	1	
6	90116-06418	BOLT, stud	4	
7	90179-06337	NUT	4	



34M342-4010

FIG. 2 CRANKSHAFT. PISTON



REF. NO.	PART NO.	DESCRIPTION	Q'TY	REMARKS
1	3L5-11400-01	CRANKSHAFT ASSY	1	
2	3L5-11412-00	.CRANK 1	1	
3	3L5-11422-01	.CRANK 2	1	
4	2E9-11681-00	.PIN, crank 1	1	
5	2E9-11651-00	.ROD, connecting	1	
6	93310-416F7	.BEARING, cylindrical	1	
7	90280-03017	KEY, woodruff	1	
8	92901-12600	WASHER, plate	1	
9	92901-12100	WASHER, spring	1	
10	95301-12700	NUT	1	
11	93306-20326	BEARING	2	
12	93102-17067	OIL SEAL	1	
13	93102-23174	OIL SEAL	1	
14	4K5-11631-00-A0	PISTON (STD)	1	size a
	4K5-11635-00	PISTON (0.25MM O/S)	1	AP
	4K5-11636-00	PISTON (0.50MM O/S)	1	AP
15	3L5-11633-00	PIN, piston	1	
16	260-11610-03	PISTON RING SET (STD)	1	
	260-11610-13	PISTON RING SET (1ST O/S)	1	AP
	260-11610-23	PISTON RING SET (2ND O/S)	1	AP
17	93450-11021	CIRCLIP	2	
18	93310-21038	BEARING, cylindrical	1	

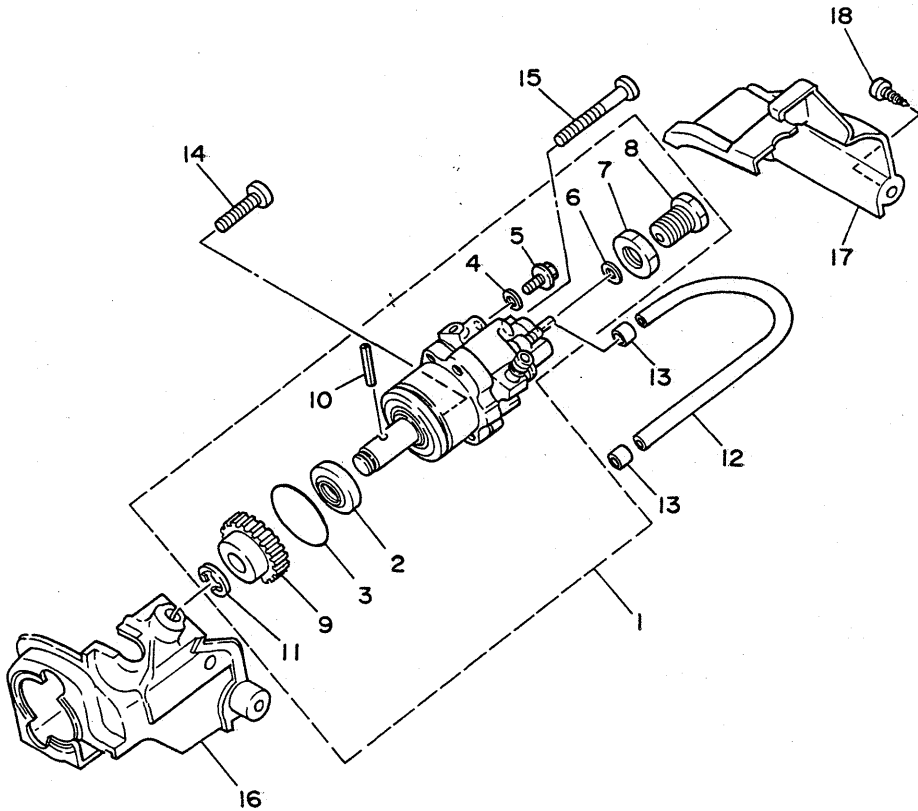


34V331-4020

B3

FIG. 3 OIL PUMP

REF. NO.	PART NO.	DESCRIPTION	Q'TY	REMARKS
1	3L5-13101-00	OIL PUMP ASSY	1	
2	93101-10001	.OIL SEAL	1	
3	93210-26240	.O-RING	1	
4	90430-04004	.GASKET	1	
5	90149-04135	.SCREW	1	
6	384-13138-00	.PLATE, adjusting	1	
7	90170-10105	.NUT	1	
8	90401-10029	.BOLT, union	1	
9	3L5-13124-00	.GEAR, worm wheel (56T)	1	
10	91609-30014	.PIN, spring	1	
11	93430-07012	.CIRCLIP	1	
12	34M-13161-00	PIPE, delivery 1	1	
13	90468-02033	CLIP	2	
14	98501-05020	SCREW, pan head	1	
15	98501-05035	SCREW, pan head	1	
16	3L5-15416-00	COVER, oil pump	1	
17	3L5-15426-00	COVER, oil pump 2	1	
18	97701-50115	SCREW, tapping	1	

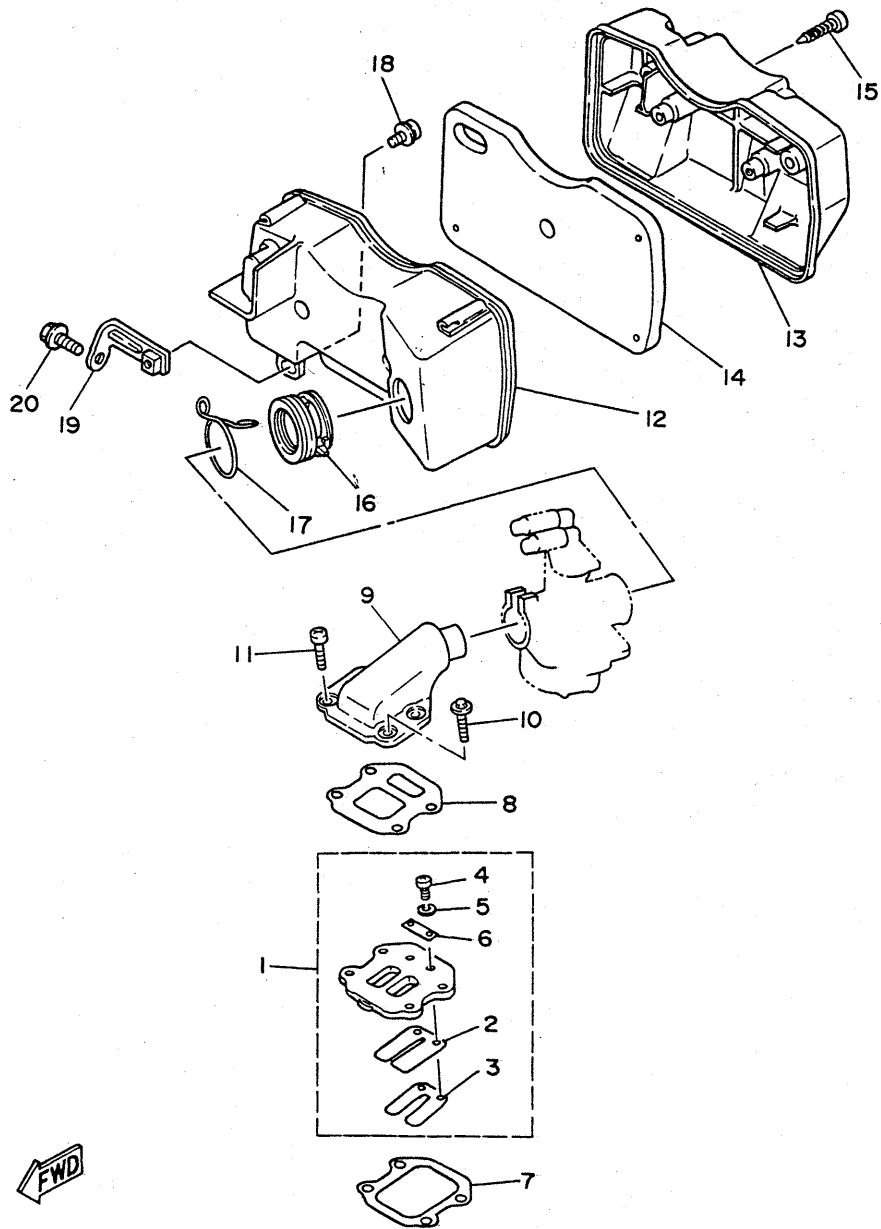


34M342-4030

B4

FIG. 4 INTAKE

REF. NO.	PART NO.	DESCRIPTION	Q'TY	REMARKS
1	3L5-13610-00	REED VALVE ASSY	1	
2	3L5-13613-00	.REED, valve	1	
3	3L5-13616-00	.STOPPER, reed valve	1	
4	98502-03010	.SCREW, pan head	2	
5	92903-03100	.WASHER, spring	2	
6	3L5-13624-00	.PLATE, reed valve	1	
7	3L5-13621-00	GASKET, valve seat	1	
8	3L5-13622-00	GASKET, valve seat	1	
9	34V-13555-00	MANIFOLD, intake	1	
10	90109-06614	BOLT	2	
11	92501-06020	SCREW, pan head	2	
12	34M-14411-00	CASE, air cleaner 1	1	
13	34M-14412-01	CAP, cleaner case 1	1	
14	34M-14451-00	ELEMENT, air cleaner	1	
15	97701-50130	SCREW, tapping	2	
16	3L5-14453-01	JOINT, air cleaner 1	1	
17	90467-20023	CLIP	1	
18	90159-06013	SCREW, with washer	1	
19	34M-14493-01	STAY 1	1	
20	95806-08012	BOLT, flange	1	

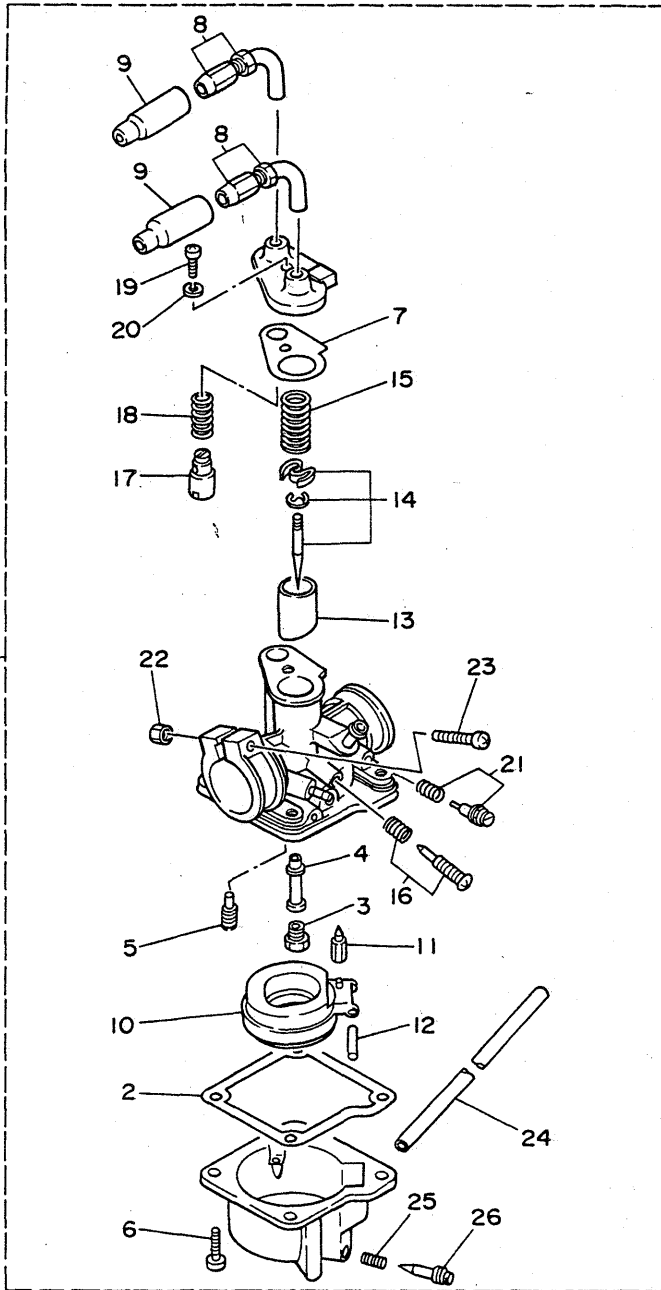


34V331-4040

B5

FIG. 5 CARBURETOR

REF. NO.	PART NO.	DESCRIPTION	Q'TY	REMARKS
1	34U-14101-00	CARBURETOR ASSY 1	1	
2	3L5-14184-00	.GASKET, float chamber	1	
3	620-14231-11	.JET, main (# 55)	1	
4	3L7-14141-10	.NOZZLE, main	1	
5	3L5-14142-40	.JET, pilot (# 40)	1	
6	98501-04014	.SCREW, pan head	4	
7	3L5-14198-00	.GASKET	1	
8	17L-14106-00	.CABLE ADJUST SCREW SET	2	
9	1R0-14169-00	.CAP	2	
10	3L6-14185-01	.FLOAT	1	
11	3L5-14190-01	.NEEDLE VALVE ASSY	1	
12	603-14186-00	.PIN, float	1	
13	3L5-14112-40	.VALVE, throttle 1	1	
14	34U-1490J-00	.NEEDLE SET	1	
15	174-14131-01	.SPRING, throttle valve	1	
16	36R-14103-00	.THROTTLE SCREW SET	1	
17	127-14171-00	.PLUNGER, starter	1	
18	127-14135-00	.SPRING, plunger	1	
19	98502-05012	.SCREW, pan head	1	
20	92902-05100	.WASHER, spring	1	
21	36R-14104-00	.AIR SCREW SET	1	
22	95301-05600	.NUT	1	
23	98502-05030	.SCREW, pan head	1	
24	214-14197-00	.PIPE	1	
25	3F7-14134-00	.SPRING, air adjusting	1	
26	4N0-14191-00	.PLUG, drain	1	

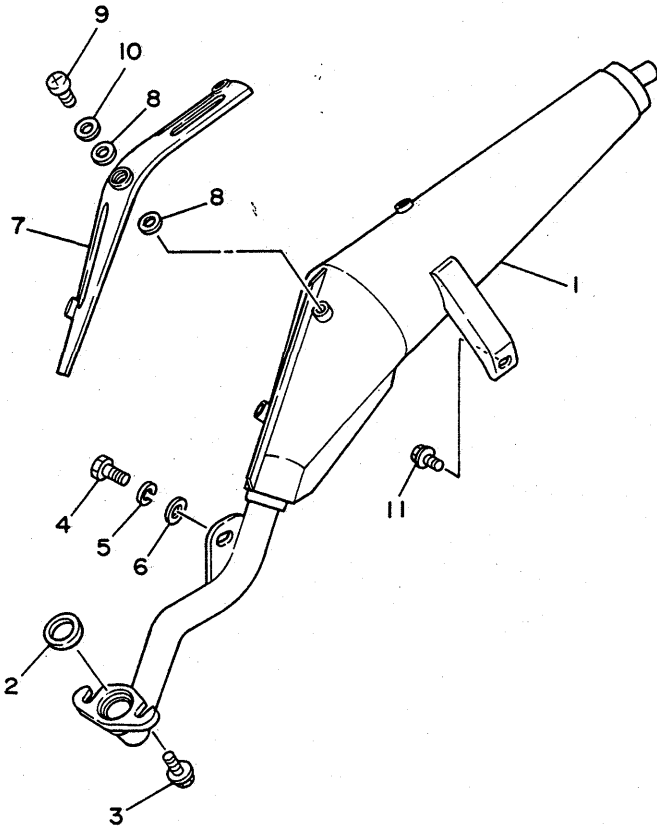


FWD

34M342-4050

B6

FIG. 6 EXHAUST



REF. NO.	PART NO.	DESCRIPTION	Q'TY	REMARKS
1	34V-14610-02	EXHAUST PIPE ASSY 1	1	
2	2E9-14613-00	GASKET, exhaust pipe	1	
3	90149-06113	SCREW	2	
4	97306-08020	BOLT	1	
5	92906-08100	WASHER, spring	1	
6	92906-08600	WASHER, plate	1	
7	34M-14718-01	PROTECTOR, muffler 1	1	
8	90430-04181	GASKET	6	
9	98506-05010	SCREW, pan head	3	
10	92906-05600	WASHER, plate	3	
11	95826-06012	BOLT, flange	1	

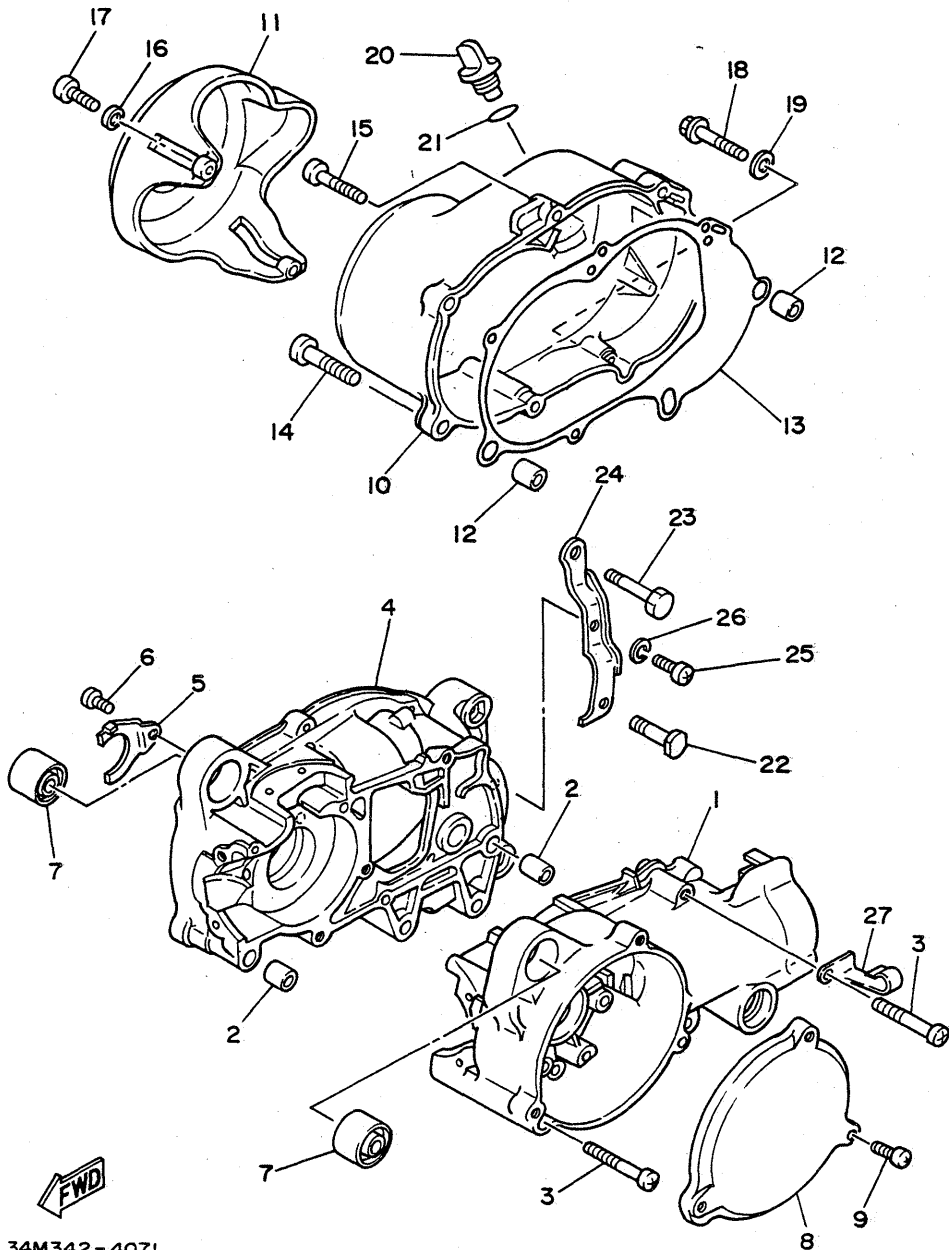


34M342-4061

B7

FIG. 7 CRANKCASE

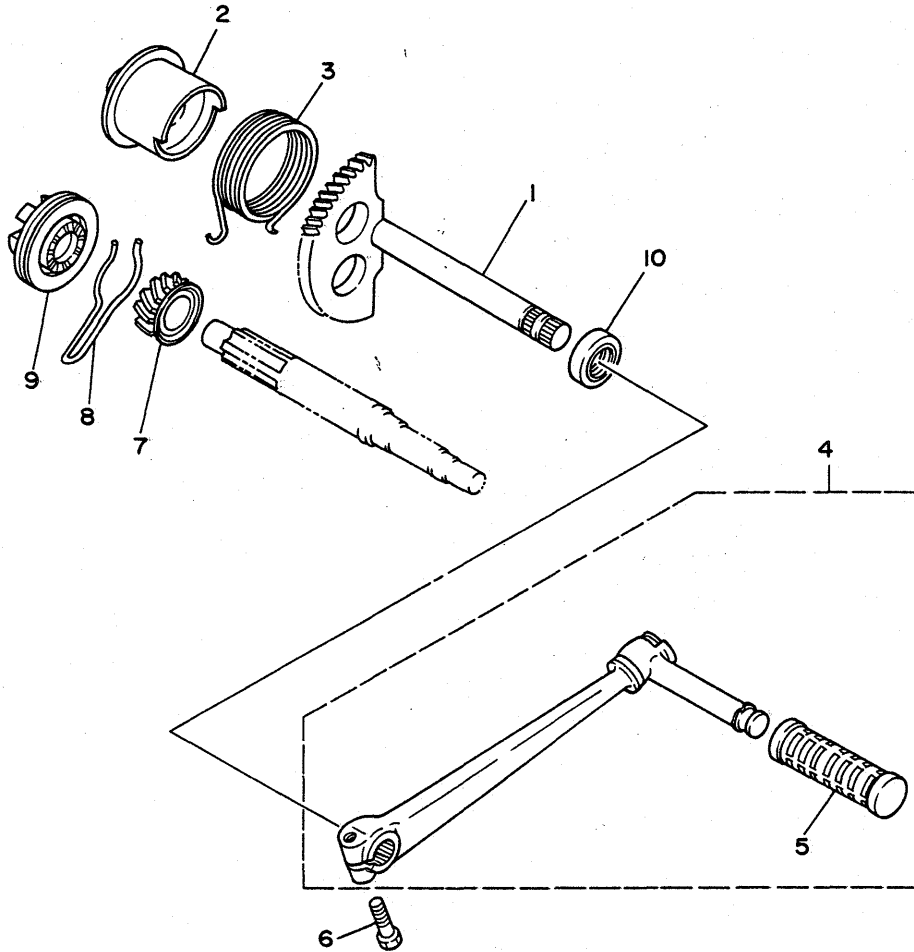
REF. NO.	PART NO.	DESCRIPTION	Q'TY	REMARKS
1	4X4-15111-00	CRANKCASE 1	1	
2	91830-22016	PIN, dowel	2	
3	92501-06045	SCREW, pan head	8	
4	4J2-15121-00	CRANKCASE 2	1	
5	3L5-15128-00	HOLDER	1	
6	92501-06012	SCREW, pan head	1	
7	2E9-15316-00	DAMPER, engine mount 1	2	
8	4J2-15415-00	COVER, generator	1	
9	98506-05016	SCREW, pan head	3	
10	4J2-15421-00	COVER, crankcase 2	1	
11	4J2-15491-00	PROTECTOR	1	
12	91830-22016	PIN, dowel	2	
13	3L5-15451-01	GASKET, crankcase cover 1	1	
14	92506-06035	SCREW, pan head	2	
15	92506-06035	SCREW, pan head	2	
16	92906-06600	WASHER, plate	2	
17	92506-06025	SCREW, pan head	2	
18	90105-08103	BOLT, washer based	1	
19	90430-08119	GASKET	1	
20	4J2-15363-00	PLUG, oil	1	
21	93210-14104	O-RING	1	
22	90109-08582	BOLT	1	
23	90109-08756	BOLT	1	
24	4J2-15113-00	PLATE	1	
25	92501-06012	SCREW, pan head	1	
26	92901-06100	WASHER, spring	1	
27	34M-15484-01	CLAMP 2	1	



34M342-4071

FIG. 8 STARTER

REF. NO.	PART NO.	DESCRIPTION	Q'TY	REMARKS
1	3L5-15601-00	KICK SHAFT ASSY	1	
2	3L5-15664-00	GUIDE, spring	1	
3	90508-28399	SPRING, torsion	1	
4	34M-15620-00	KICK CRANK ASSY	1	
5	2T4-15618-00	.COVER, kick lever	1	
6	97311-06025	BOLT	1	
7	3L5-15631-00	GEAR, kick pinion (13T)	1	
8	3L5-15673-00	CLIP	1	
9	3L5-13178-00	GEAR, pump drive	1	
10	93109-15001	OIL SEAL	1	



34M342-4080

B9

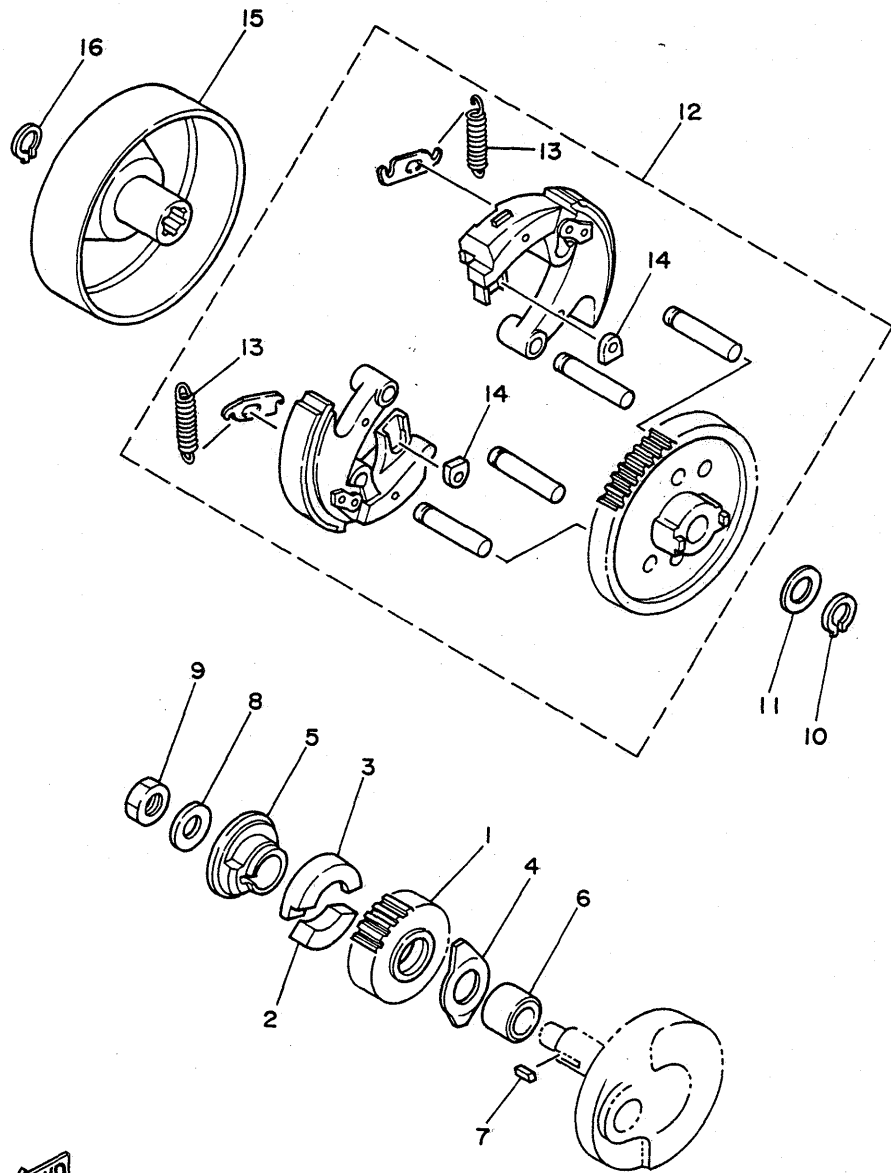


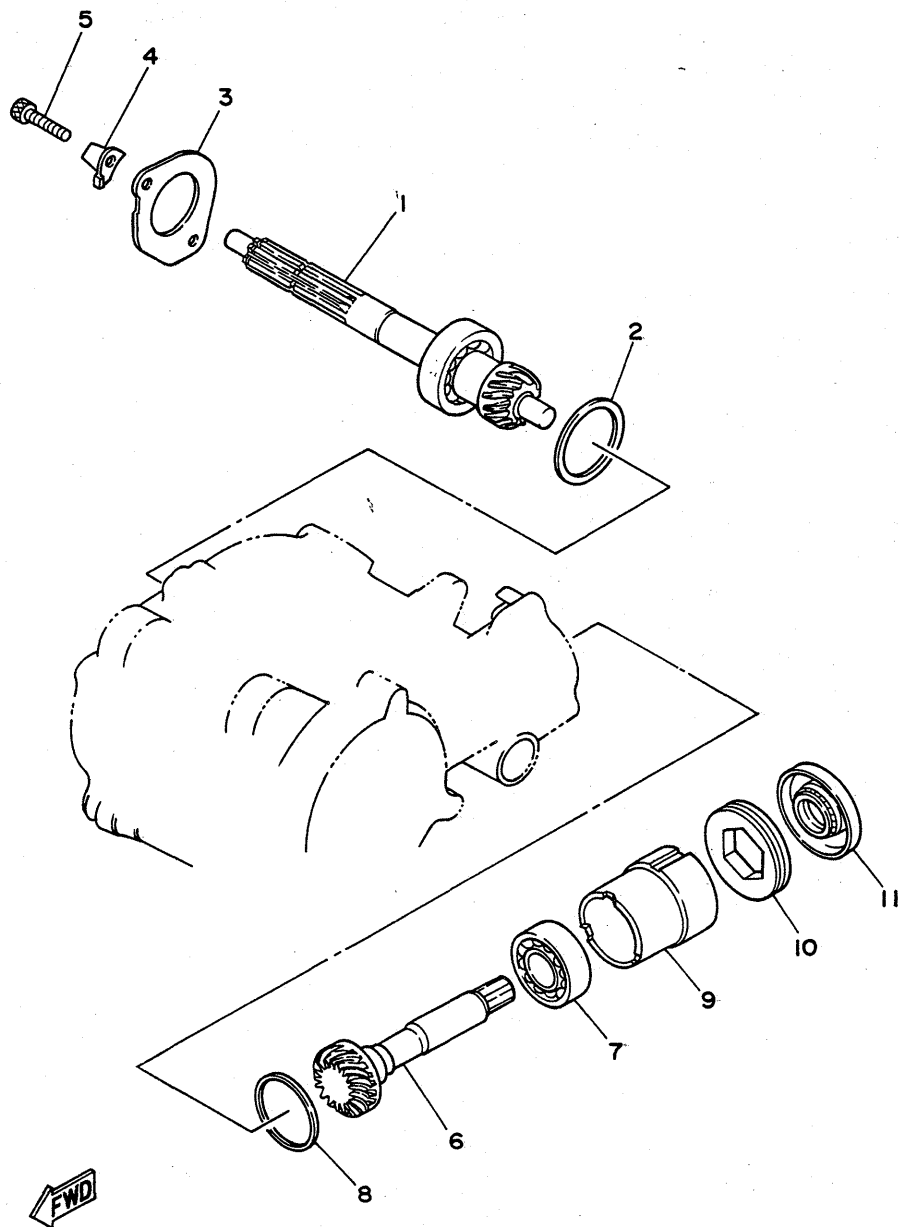
FIG. 9 CLUTCH

REF. NO.	PART NO.	DESCRIPTION	Q'TY	REMARKS
1	3L5-16111-00	GEAR, primary drive (33T)	1	
2	3L5-16115-00	ABSORBER 1	1	
3	3L5-16125-00	ABSORBER 2	1	
4	3L5-16114-00	PLATE, thrust 2	1	
5	3L5-16181-01	SPACER 1	1	
6	90387-16730	COLLAR	1	
7	90282-05034	KEY, straight	1	
8	90208-10012	WASHER, conical spring	1	
9	90170-10219	NUT	1	
10	93410-16006	CIRCLIP	1	
11	90201-16383	WASHER, plate	1	
12	34N-16620-00	CLUTCH CARRIER ASSY	1	
13	3L5-16627-02	.SPRING, clutch weight 2	2	
14	2T4-16629-00	.DAMPER, clutch weight	2	
15	3L5-16611-02	CLUTCH HOUSING COMP.	1	
16	93410-16006	CIRCLIP	1	

FWD
34V331-4090

FIG. 10 TRANSMISSION

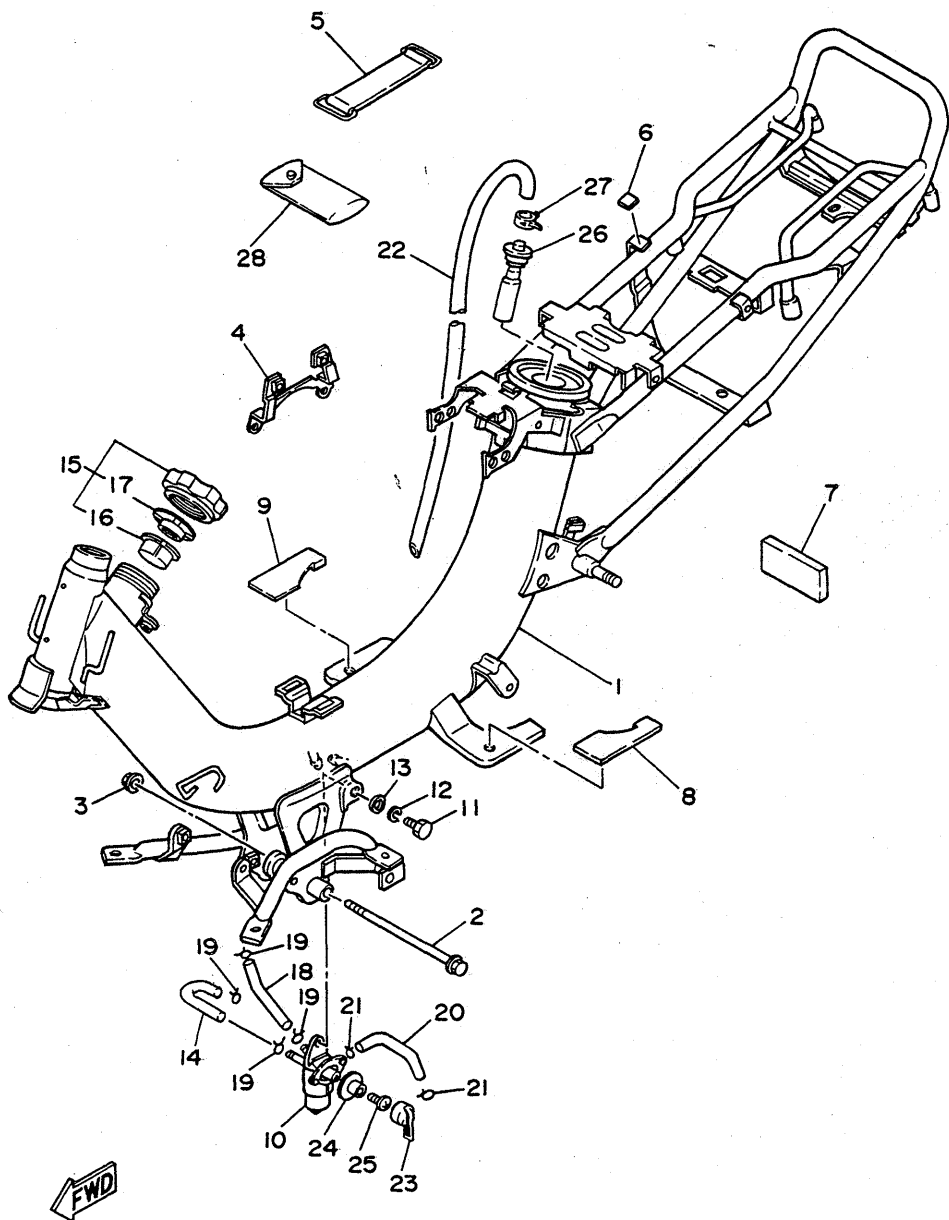
REF. NO.	PART NO.	DESCRIPTION	Q'TY	REMARKS
1	34V-17410-00	MAIN AXLE COMP. (12T)	1	
2	3L5-17531-00	SHIM, pinion	1	
3	3L5-17471-00	PLATE, cover	1	
4	3L5-17473-00	STOPPER	1	
5	91316-06016	BOLT	2	
6	34V-17552-00	PINION, driven (12T)	1	
7	93306-20316	BEARING (B6203)	1	
8	3L5-17537-00	SHIM, thrust	1	
9	3L5-17442-00	COLLAR, distance	1	
10	90149-45134	SCREW	1	
11	93102-15267	OIL SEAL	1	



FWD

34M342-4100

B11

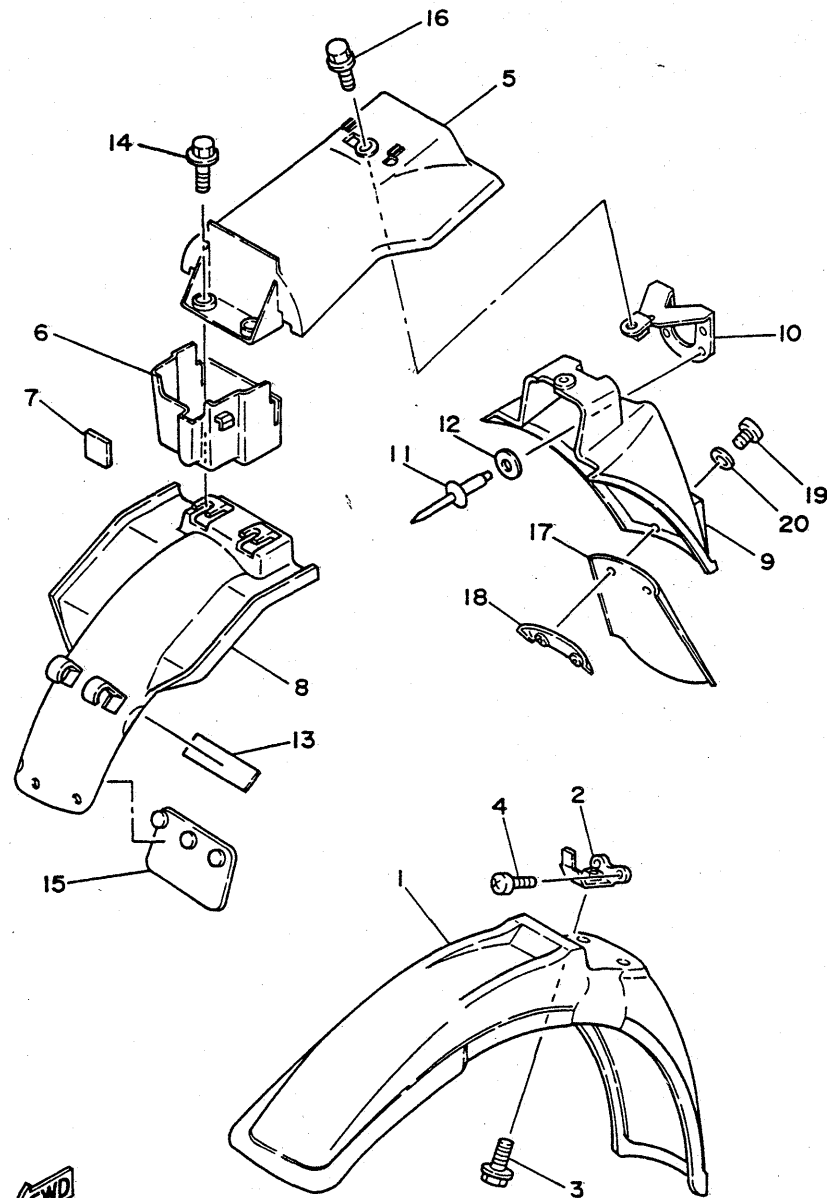


34M342-4111

FIG. 11 FRAME

REF. NO.	PART NO.	DESCRIPTION	Q'TY	REMARKS
1	34M-21110-02-33	FRAME COMP.	1	yamaha black
2	90105-10130	BOLT, washer based	1	
3	90179-10280	NUT	1	
4	34M-21359-00	BRACKET, coil	1	
5	122-82131-00	BAND, battery	1	
6	34M-2139X-00	DAMPER	2	
7	31A-21638-00	DAMPER 1	1	
8	34M-27414-00	DAMPER, footrest	1	
9	34M-27424-00	DAMPER, footrest 2	1	
10	34M-24500-02	FUEL COCK ASSY 1	1	
11	97301-06016	BOLT	1	
12	92901-06100	WASHER, spring	1	
13	92901-06600	WASHER, plate	1	
14	34M-24311-00	PIPE, fuel 1	1	
15	34M-24610-00	CAP. ASSY	1	
16	1L4-24615-00	.GASKET, plate 1	1	
17	1L4-24616-00	.GASKET, plate 2	1	
18	34M-24312-00	PIPE 2	1	
19	90467-08003	CLIP	4	
20	34M-24313-00	PIPE 3	1	
21	90467-09006	CLIP	2	
22	34M-24325-00	PIPE 14	1	
23	34M-24524-02	LEVER, cock	1	
24	34M-24572-00	SHAFT, fuel charge	1	
25	90152-04011	SCREW, countersunk	1	
26	34M-2418A-00	BREATHER COMP.	1	
27	90467-10038	CLIP	1	
28	34M-28100-00	TOOL KIT	1	

B12



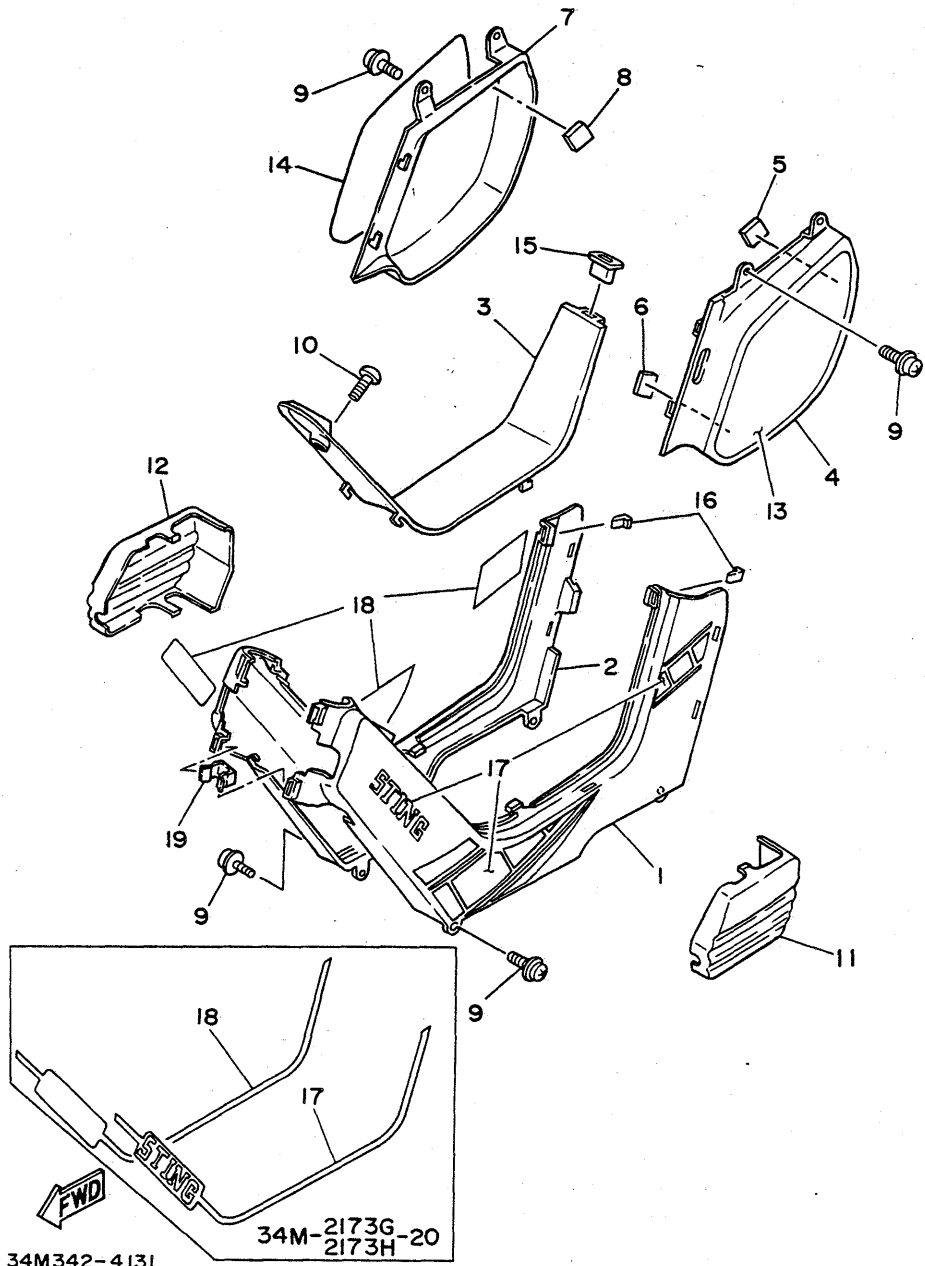
34V331-4120

FIG. 12 FENDER

REF. NO.	PART NO.	DESCRIPTION	Q'TY	REMARKS
1	34M-21511-00	FENDER, front	1	UR clean white
	34M-21511-10	FENDER, front	1	UR chappy red
	34M-21511-20	FENDER, front	1	UR yamaha black
2	34N-21513-00	STAY, fender 1	1	
3	95801-06012	BOLT, flange	3	
4	92501-06012	SCREW, pan head	2	
5	34N-21610-00	REAR FENDER COMP.	1	UR clean white
	34N-21610-10	REAR FENDER COMP.	1	UR chappy red
	34N-21610-20	REAR FENDER COMP.	1	UR yamaha black
6	34N-2177G-00	BOX, battery	1	UR clean white
	34N-2177G-10	BOX, battery	1	UR chappy red
	34N-2177G-20	BOX, battery	1	UR yamaha black
7	34M-21747-00	DAMPER	1	
8	34M-21620-00	MUD GUARD COMP.	1	
9	34V-21691-00	FLAP	1	
10	34M-21688-00	BRACKET, rear stay	1	
11	90267-48078	RIVET, blind	3	
12	90201-04325	WASHER, plate	3	
13	34M-21639-00	DAMPER 2	1	
14	95801-06016	BOLT, flange	2	
15	34M-21642-00	GUARD, flap	1	
16	95801-06016	BOLT, flange	1	
17	2E9-21521-00	FLAP, front fender	1	
18	34V-21622-00	BAND, flap	1	
19	98506-05012	SCREW, pan head	2	
20	92906-05600	WASHER, plate	2	

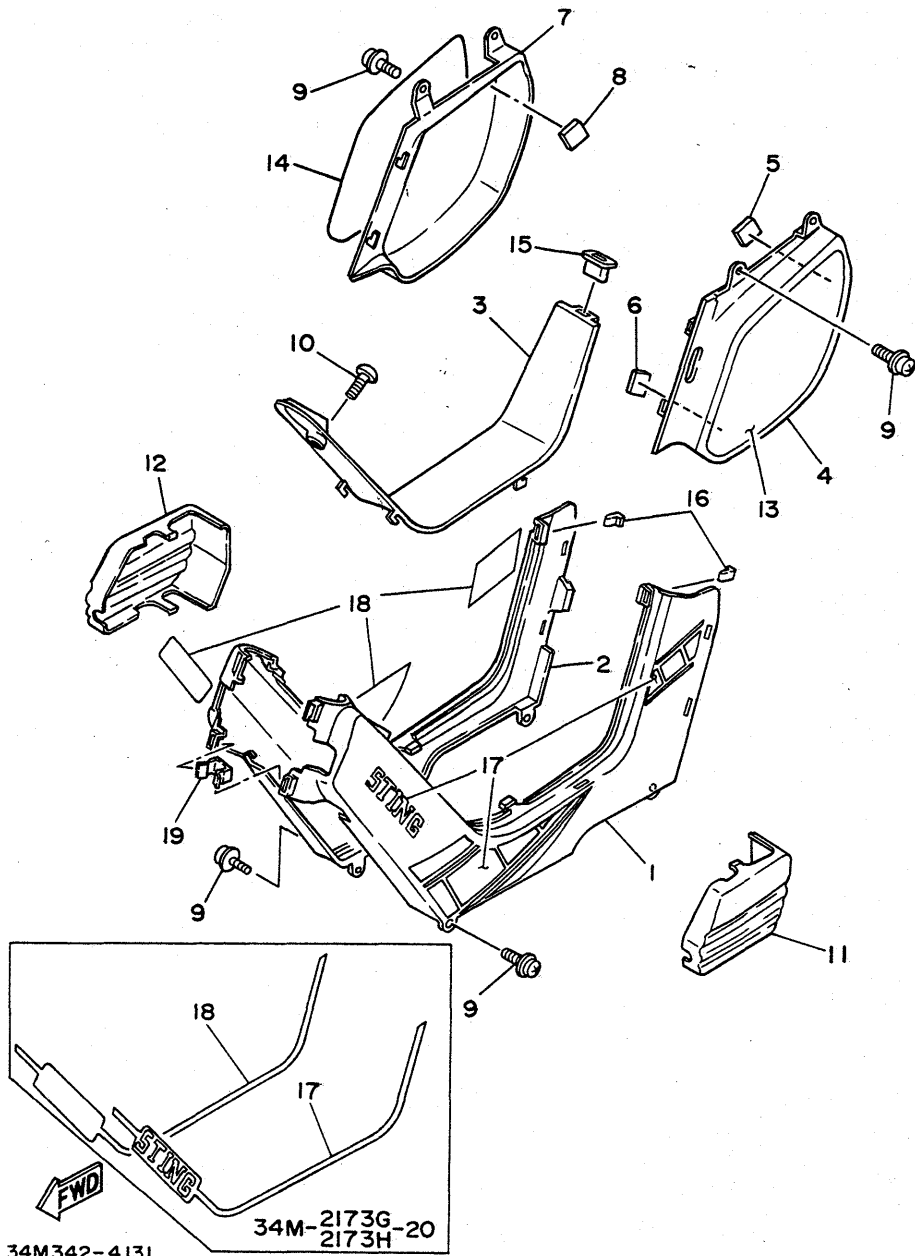
FIG. 13 SIDE COVER

REF. NO.	PART NO.	DESCRIPTION	Q'TY	REMARKS
1	34M-21711-00	COVER, side 1	1	UR clean white
	34M-21711-10	COVER, side 1	1	UR chappy red
	34M-21711-20	COVER, side 1	1	UR yamaha black
2	34M-21721-00	COVER, side 2	1	UR clean white
	34M-21721-10	COVER, side 2	1	UR chappy red
	34M-21721-20	COVER, side 2	1	UR yamaha black
3	34M-21731-00	COVER, side 3	1	UR clean white
	34M-21731-10	COVER, side 3	1	UR chappy red
	34M-21731-20	COVER, side 3	1	UR yamaha black
4	34M-21741-00	COVER, side 4	1	UR clean white
	34M-21741-10	COVER, side 4	1	UR chappy red
	34M-21741-20	COVER, side 4	1	UR yamaha black
5	34M-21746-00	DAMPER	1	
6	34M-21747-00	DAMPER	1	
7	34M-2171E-00	COVER, side 5	1	UR clean white
	34M-2171E-10	COVER, side 5	1	UR chappy red
	34M-2171E-20	COVER, side 5	1	UR yamaha black
8	34M-21746-00	DAMPER	1	
9	90159-06013	SCREW, with washer	8	
10	90154-06022	SCREW, binding	1	
11	34M-1442A-01	COVER, cleaner case 3	1	
12	34M-1442E-01	COVER, cleaner case 4	1	
13	34M-21781-00	EMBLEM 1	1	
14	34M-21782-00	EMBLEM 2	1	
15	34M-21719-00	GROMMET	1	
16	4N0-21717-00	DAMPER, side cover	2	
17	34M-2173G-00	EMBLEM SET 1	1	UR for w
	34N-2173G-10	EMBLEM SET 1	1	UR for cpr



B14

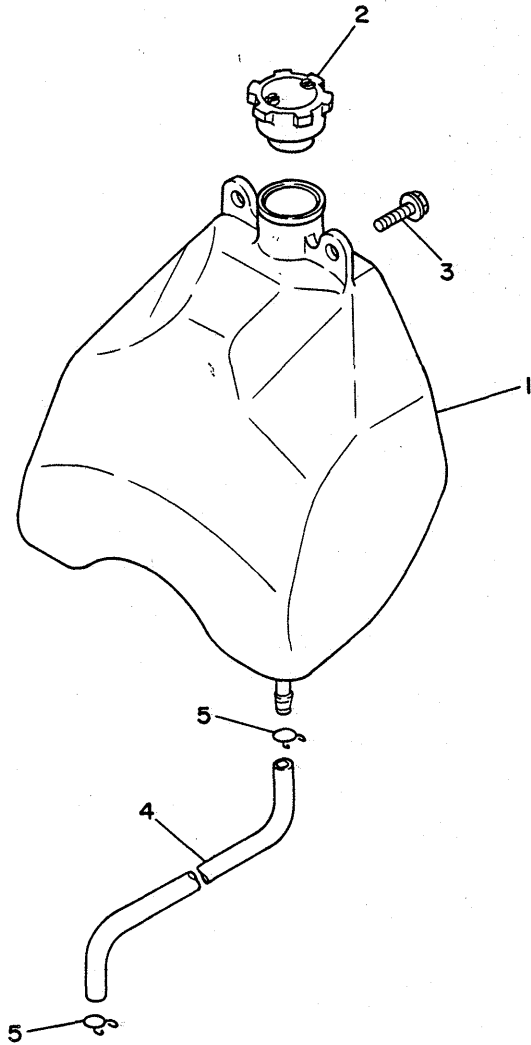
FIG. 13 SIDE COVER



REF. NO.	PART NO.	DESCRIPTION	Q'TY	REMARKS
17	34M-2173G-20	EMBLEM SET 1	1	UR for yb
18	34M-2173H-00	EMBLEM SET 2	1	UR for w
	34N-2173H-10	EMBLEM SET 2	1	UR for cpr
	34M-2173H-20	EMBLEM SET 2	1	UR for yb
19	90465-04260	CLAMP	2	

FIG. 14 OIL TANK

REF. NO.	PART NO.	DESCRIPTION	Q'TY	REMARKS
1	34M-21751-00	TANK, oil	1	
2	3L5-21770-01	OIL TANK CAP ASSY	1	
3	95801-06016	BOLT, flange	2	
4	90445-09M25	HOSE	1	
5	90467-08003	CLIP	2	



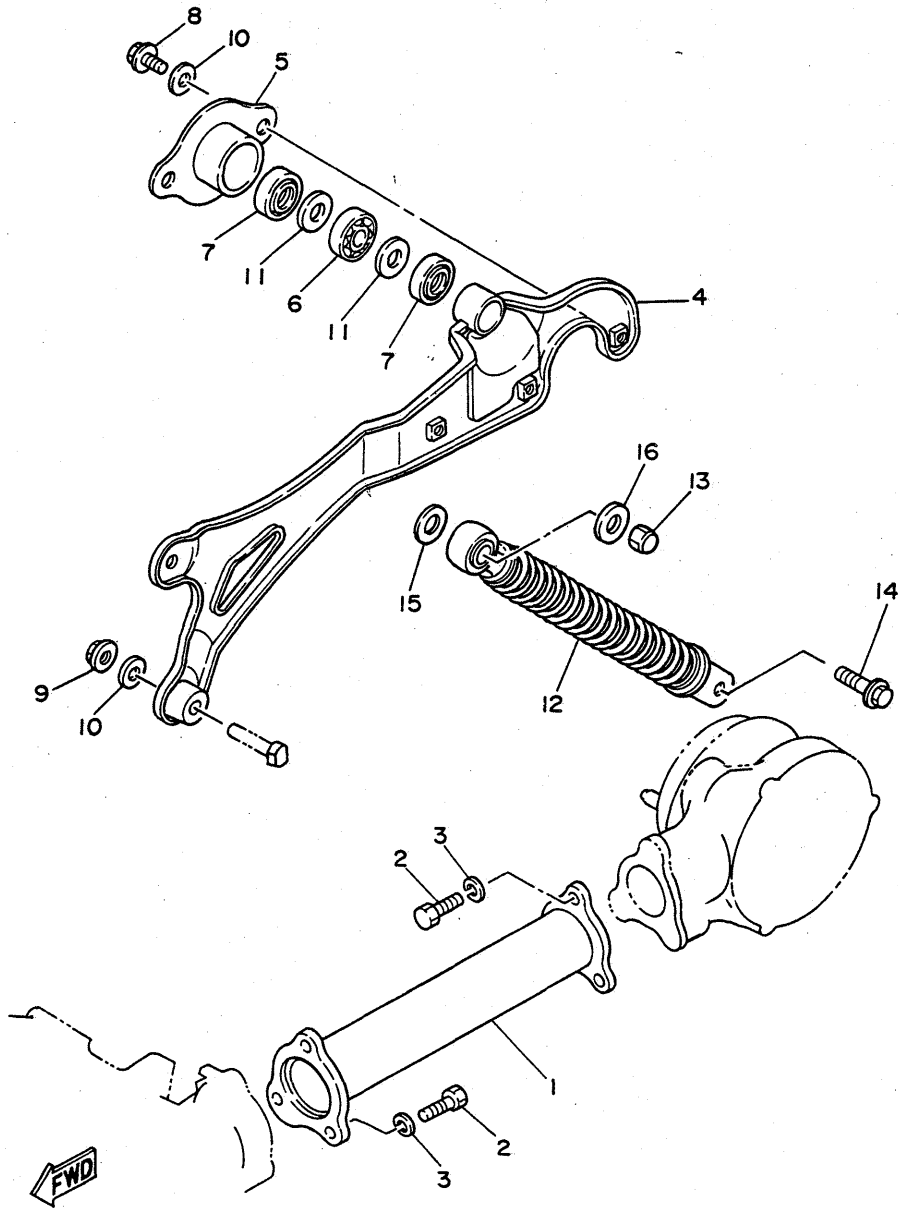
FWD

34M342-4140

C2

FIG. 15 REAR ARM. SUSPENSION

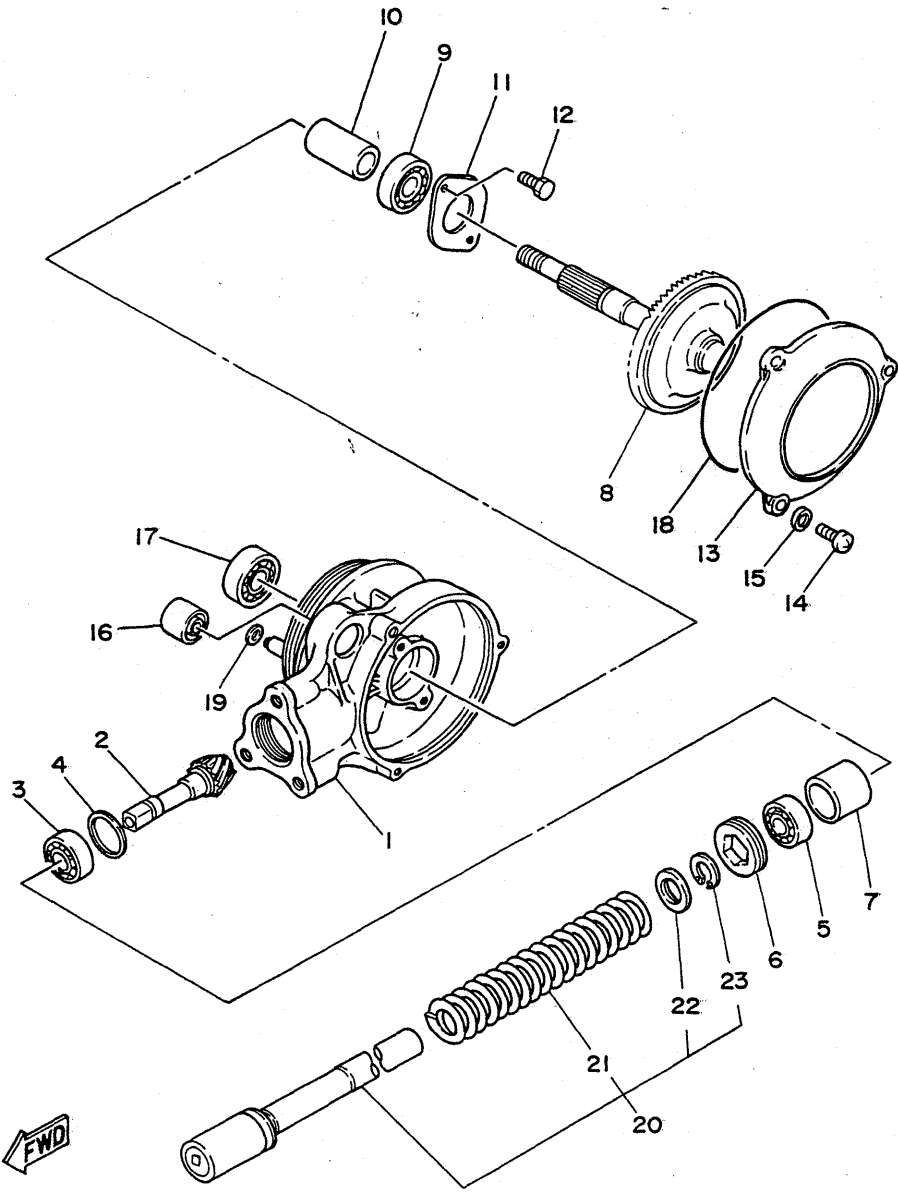
REF. NO.	PART NO.	DESCRIPTION	Q'TY	REMARKS
1	34M-22110-00-33	REAR ARM COMP.	1	yamaha black
2	90101-08461	BOLT	6	
3	92901-08100	WASHER, spring	6	
4	34M-22120-00-90	ARM COMP.	1	uni chrome (black)
5	4J2-22174-01	END 1	1	
6	93306-20113	BEARING (B6201-2RS)	1	
7	93106-24018	OIL SEAL	2	
8	90105-08066	BOLT, washer based	2	
9	90179-08065	NUT	2	
10	90201-08326	WASHER, plate	4	
11	90387-125A5	COLLAR	2	
12	34M-22210-00	SHOCK ABSORBER ASSY, rear	1	
13	95303-10800	NUT, crown	1	
14	90105-08295	BOLT, washer based	1	
15	90201-122A3	WASHER, plate	1	
16	90201-106F2	WASHER, plate	1	



34M342-4150

C3

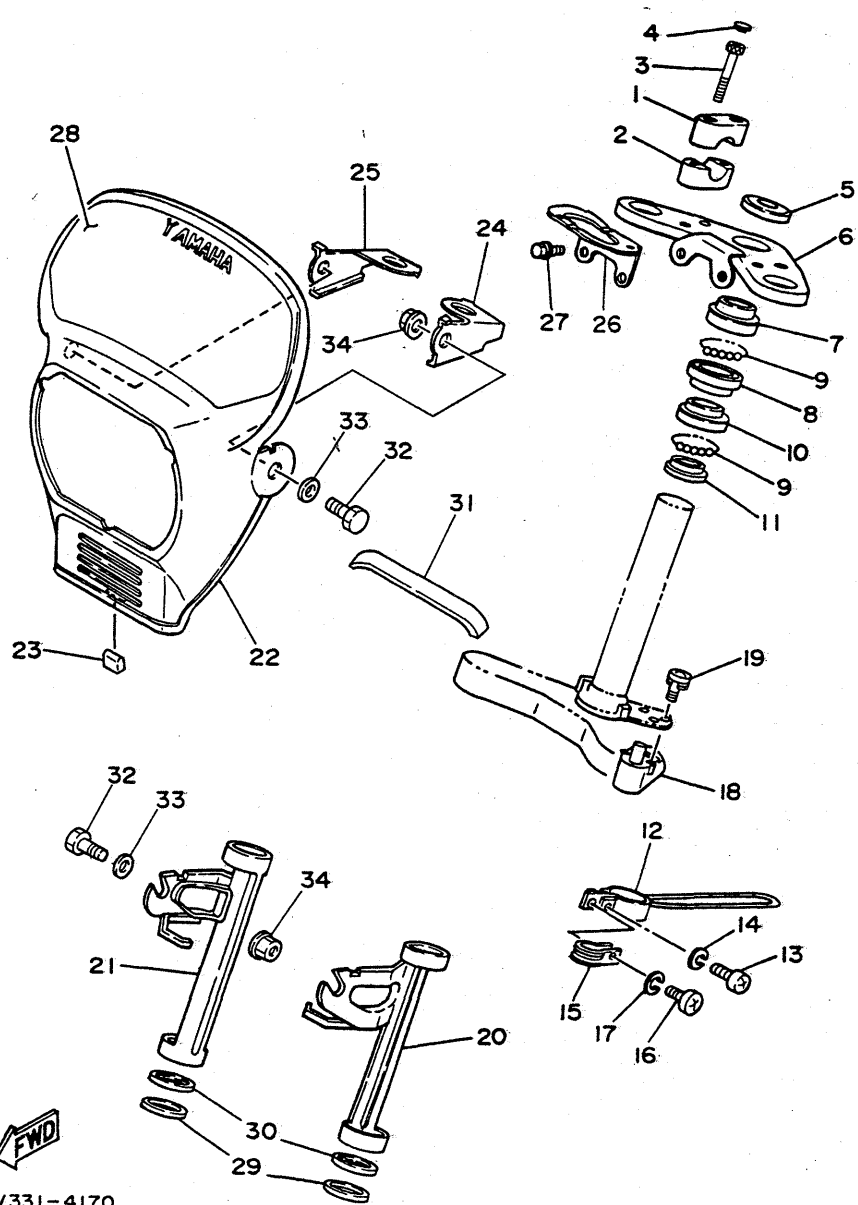
FIG. 16 DRIVE SHAFT



REF. NO.	PART NO.	DESCRIPTION	Q'TY	REMARKS
1	34M-46151-00	HOUSING, drive shaft	1	
2	5F4-46121-00	GEAR, drive pinion	1	
3	93306-20111	BEARING (B6201)	1	
4	3L5-46127-00	SHIM, drive piston	1	
5	93306-20111	BEARING (B6201)	1	UR
	93306-20110	BEARING (B6201)	1	UR
6	90149-35133	SCREW	1	
7	90560-25185	SPACER	1	
8	34V-46110-00	RING GEAR COMP.	1	
9	93306-20205	BEARING (B6202)	1	UR
	93306-20209	BEARING (B6202)	1	UR
10	34M-25317-00	SPACER, bearing	1	
11	3L5-46114-00	PLATE, cover	1	
12	97311-06016	BOLT	2	
13	4J2-46154-01	COVER, housing	1	
14	92501-06014	SCREW, pan head	3	
15	92901-06600	WASHER, plate	3	
16	164-22216-00	BUSH, rear shock absorber	1	
17	93306-20203	BEARING (B6202RS)	1	
18	93211-05393	O-RING	1	
19	92901-04200	WASHER, plain	1	
20	34N-46171-00	SHAFT DRIVE ASSY	1	
21	90501-700A4	.SPRING, compression	1	
22	15L-18473-00	.RETAINER, spring	1	
23	93440-17138	.CIRCLIP	1	

34V331-4160

FIG. 17 STEERING



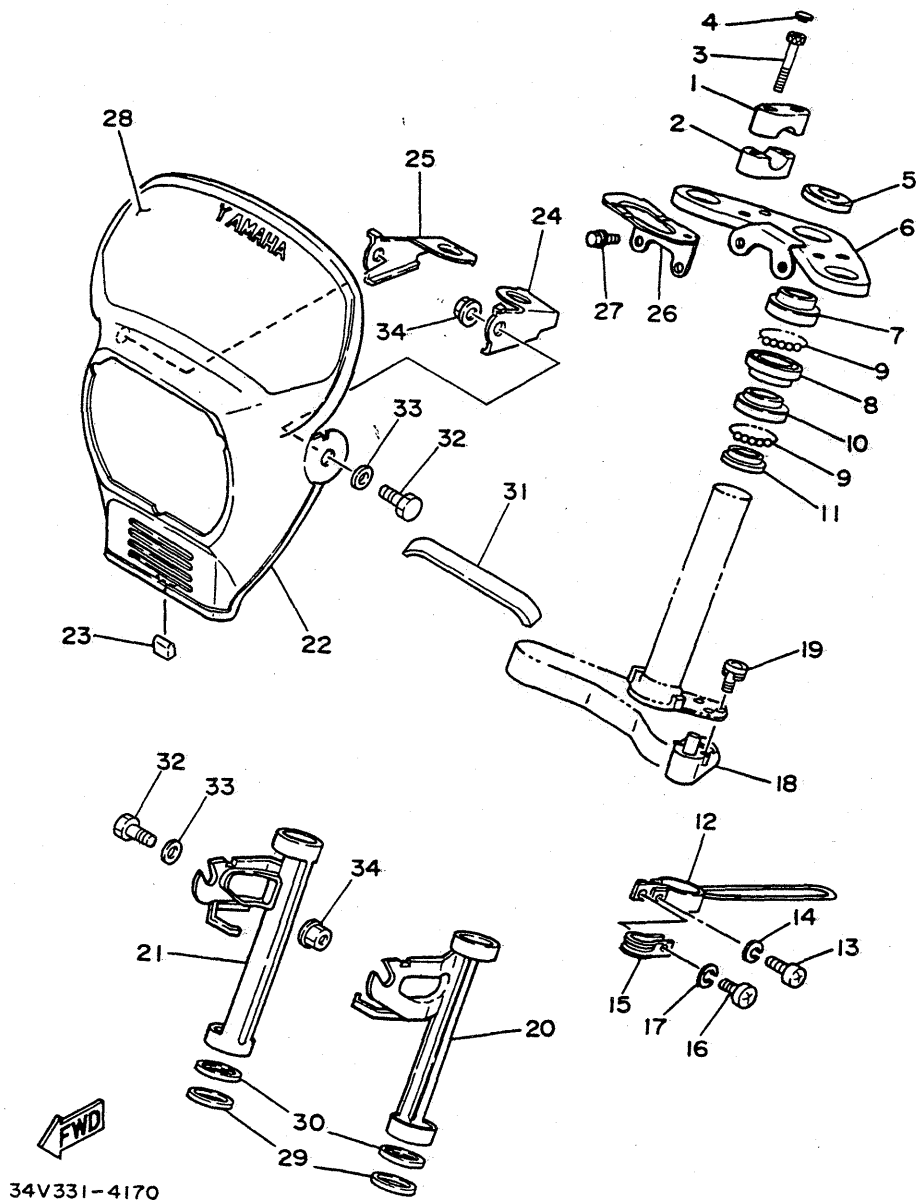
34V331-4170

REF. NO.	PART NO.	DESCRIPTION	Q'TY	REMARKS
1	5R2-23441-00-98	HOLDER, handle upper	2	low gloss black
2	5R2-23442-00-98	HOLDER, handle lower	2	low gloss black
3	91316-06045	BOLT	4	
4	2H9-23469-00	CAP, bolt	4	
5	90201-105E4	WASHER, plate	1	
6	34M-23435-01-33	CROWN, handle	1	yamaha black
7	3L6-23411-00	RACE, ball 1	1	
8	2E9-23412-00	RACE, ball 2	1	
9	93505-32002	BALL	52	
10	2E9-23413-01	RACE, ball 3	1	
11	2E9-23414-01	RACE, ball 4	1	
12	34M-23318-00	HOLDER, cable 1	1	
13	92506-06016	SCREW, pan head	1	
14	92906-06100	WASHER, spring	1	
15	3Y1-23319-00	HOLDER, cable 2	1	
16	92506-06012	SCREW, pan head	1	
17	92906-06100	WASHER, spring	1	
18	34M-23408-00	STEERING LOCK ASSY	1	
19	90159-05047	SCREW, with washer	2	
20	34N-23327-00	STAY, flasher	1	
21	34N-23328-00	STAY, flasher	1	
22	34M-28350-00-98	COWLING ASSY	1	UR low gloss black/white
	34M-28350-10-98	COWLING ASSY	1	UR low gloss black /chappy red
	34M-28350-20	COWLING ASSY	1	UR yamaha black
23	34M-28371-00	DAMPER	1	
24	34N-28321-00	STAY, leg shield (L.H)	1	
25	34N-28322-00	STAY, leg shield (R.H)	1	
26	34N-28332-00	STAY, leg shield	1	

C5

FIG. 17 STEERING

REF. NO.	PART NO.	DESCRIPTION	Q'TY	REMARKS
27	95806-06012	BOLT, flange	2	
28	34M-28338-00	EMBLEM	1	
29	5U4-2317J-00	DAMPER 1	2	
30	5U4-23115-00	GUIDE, cover upper	2	
31	34M-83592-00	DAMPER	1	
32	97301-12020	BOLT	2	
33	92901-12600	WASHER, plate	2	
34	95702-12100	NUT, flange	2	

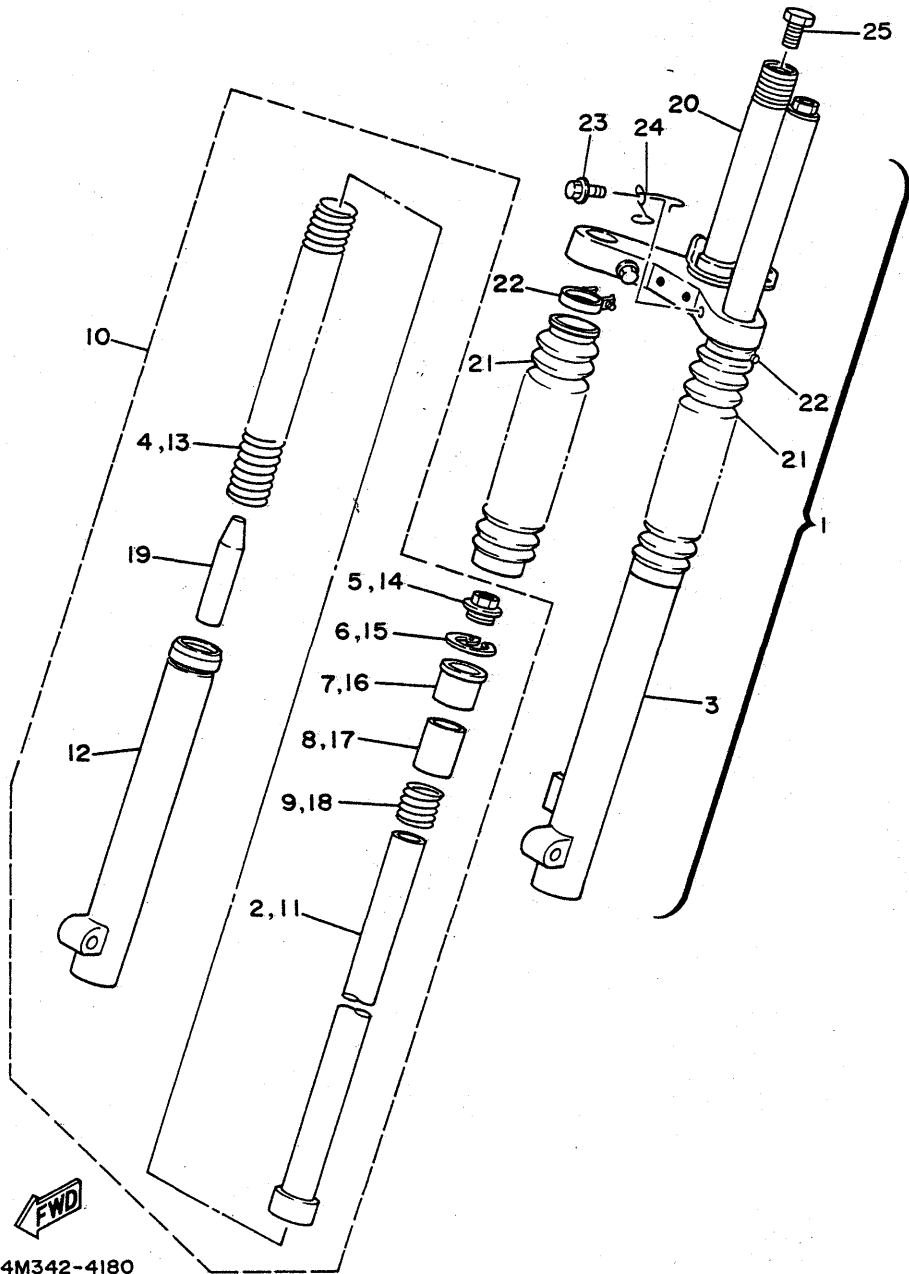


34V331-4170

C6

FIG. 18 FRONT FORK

REF. NO.	PART NO.	DESCRIPTION	Q'TY	REMARKS
1	34M-23102-00	FRONT FORK ASSY (L.H)	1	
2	34M-23110-00	.INNER TUBE COMP.1	1	
3	34M-23106-00-35	.OUTER TUBE COMP. (L.H)	1	silver
4	34M-23141-00	.SPRING, front fork	1	
5	34M-23111-00	.BOLT, cap	1	
6	93450-34064	.CIRCLIP	1	
7	3L6-23125-00	.METAL, slide 1	1	
8	17J-23113-00	.COLLAR	1	
9	4N0-23151-00	.SPRING, rebound	1	
10	34M-23103-00	FRONT FORK ASSY (R.H)	1	
11	34M-23110-00	.INNER TUBE COMP.1	1	
12	34M-23107-00-35	.OUTER TUBE COMP. (R.H)	1	silver
13	34M-23141-00	.SPRING, front fork	1	
14	34M-23111-00	.BOLT, cap	1	
15	93450-34064	.CIRCLIP	1	
16	3L6-23125-00	.METAL, slide 1	1	
17	17J-23113-00	.COLLAR	1	
18	4N0-23151-00	.SPRING, rebound	1	
19	34M-23195-00	.RUBBER	1	
20	34M-23340-00	UNDER BRACKET COMP.	1	
21	34M-23191-00	BOOT	2	
22	90460-31163	CLAMP, hose	2	
23	95826-10040	BOLT, flange	2	
24	34M-2331E-00	GUIDE, cable	1	
25	90101-10600	BOLT	1	



34M342-4180

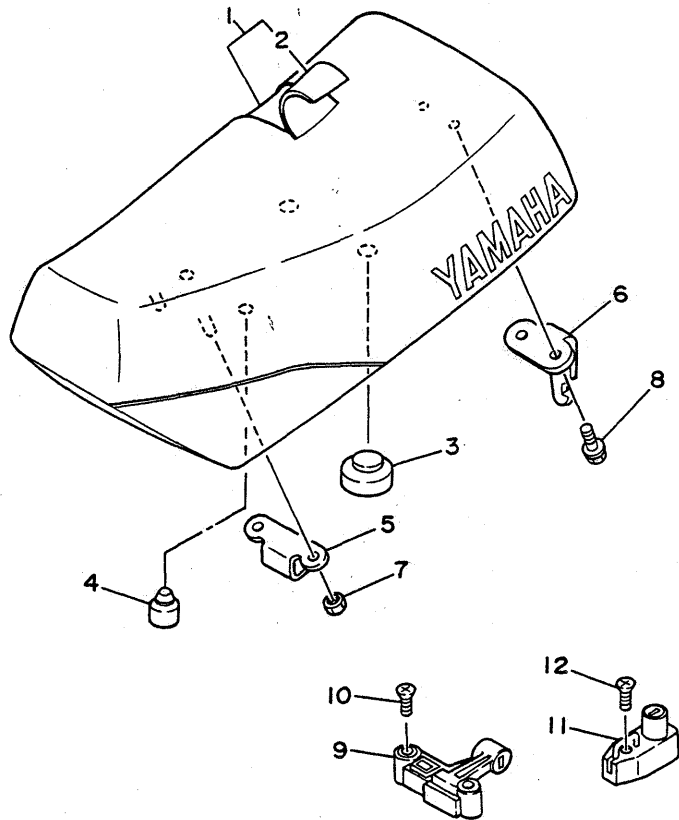


FIG. 19 SEAT

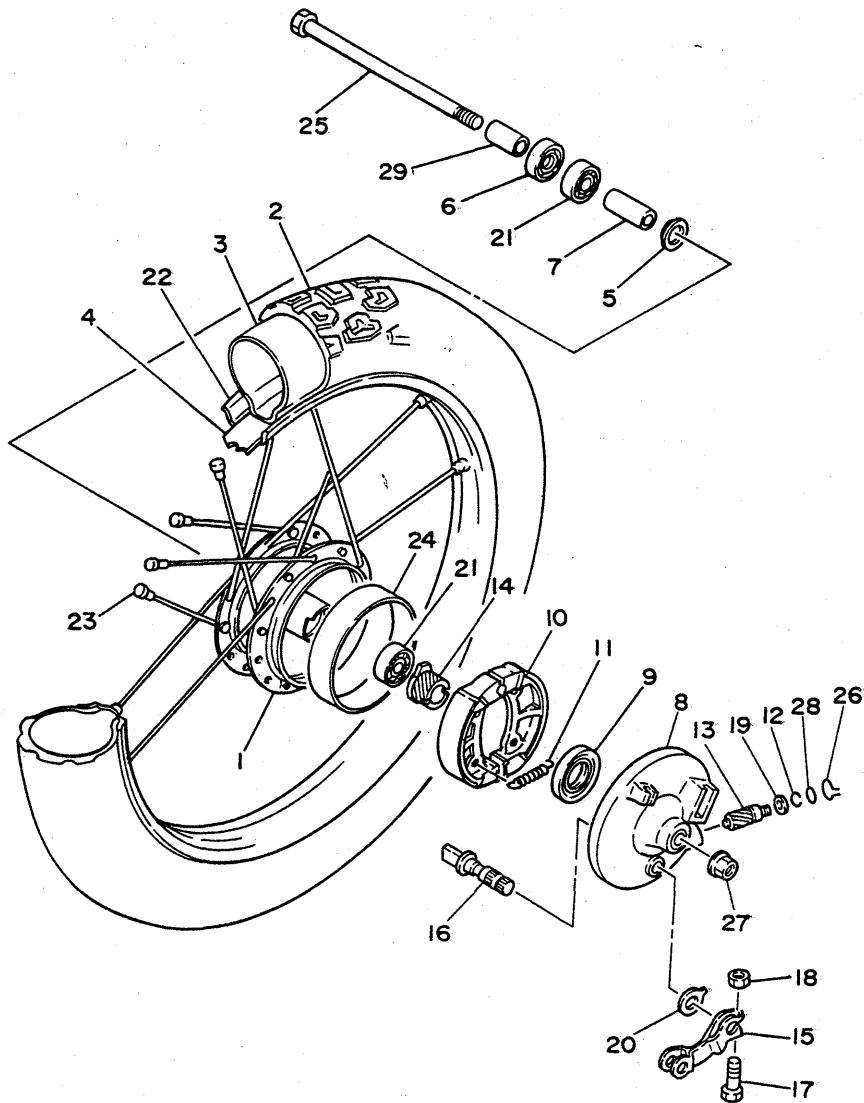
REF. NO.	PART NO.	DESCRIPTION	Q'TY	REMARKS
1	34M-W2471-01	SINGLE SEAT ASSY	1	
2	34M-24711-01	.COVER, single seat	1	
3	296-24723-00	DAMPER, seat	2	
4	278-27114-A0	STOPPER, main stand	2	
5	34M-24718-01	BRACKET, seat	1	
6	34M-24728-01	BRACKET, seat	1	
7	95702-06100	NUT, flange	2	
8	90101-06304	BOLT	2	
9	34M-24705-00	SEAT LOCK ASSY	1	
10	92701-06025	SCREW, flat head	2	
11	34M-21308-00	HELMET HANGER ASSY	1	
12	92701-06030	SCREW, flat head	1	



34M342-4190

C8

FIG. 20 FRONT WHEEL



REF. NO.	PART NO.	DESCRIPTION	Q'TY	REMARKS
1	34M-25111-00-98	HUB, front	1	low gloss black
2	94125-175E3	TIRE (2.50-17)	1	inoue
3	94225-17105	TUBE (2.50-17)	1	inoue
4	94322-17078	BAND, rim (2.25-17)	1	inoue
5	2E9-25116-00	FLANGE, spacer 2	1	
6	93106-17015	OIL SEAL	1	
7	90560-10103	SPACER	1	
8	34M-25121-00-98	PLATE, brake shoe	1	low gloss black
9	2E9-25129-00	SEAL, plate dust	1	
10	4K5-25130-00	BRAKE SHOE COMP.	2	
11	90506-14081	SPRING, tension	2	
12	2T4-25137-00	RING, stop	1	
13	34M-25138-00	GEAR, meter	1	
14	34M-25135-00	GEAR, drive	1	
15	34M-25155-00	LEVER, camshaft 1	1	
16	4K5-25351-00	CAMSHAFT	1	
17	90101-05488	BOLT	1	
18	95301-05600	NUT	1	
19	90201-06656	WASHER, plate	1	
20	3L8-2513A-00	PLATE, indicator	1	
21	93306-20005	BEARING (B6200)	2	UR
	93306-20006	BEARING (B6200)	2	UR
22	94414-17369	RIM (1.40-17)	1	
23	34M-25104-00	SPOKE SET, front	1	
24	17J-25336-00	RING 2	1	
25	34M-25181-00	AXLE, wheel	1	
26	2E9-25137-01	RING, stop	1	
27	90179-10280	NUT	1	

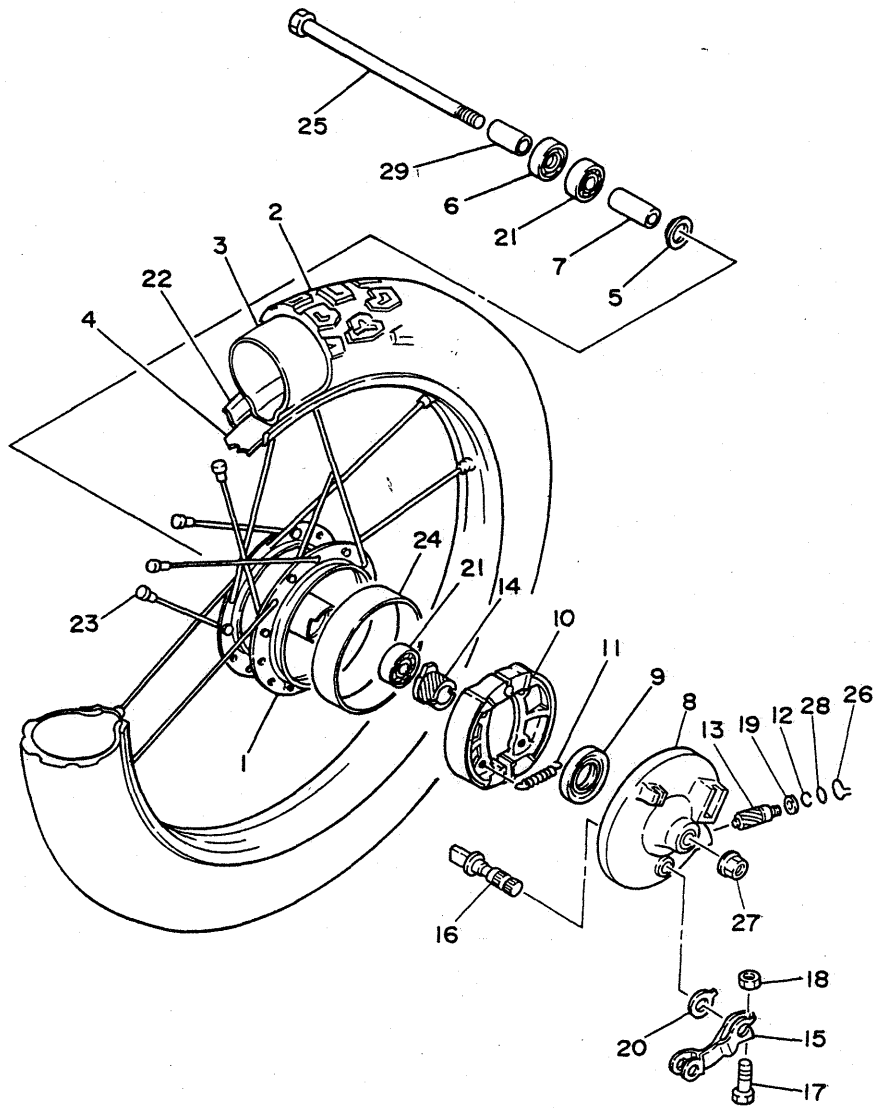


34V331-4200

C9

FIG. 20 FRONT WHEEL

REF. NO.	PART NO.	DESCRIPTION	Q'TY	REMARKS
28	93210-10096	O-RING	1	
29	90387-102J2	COLLAR	1	

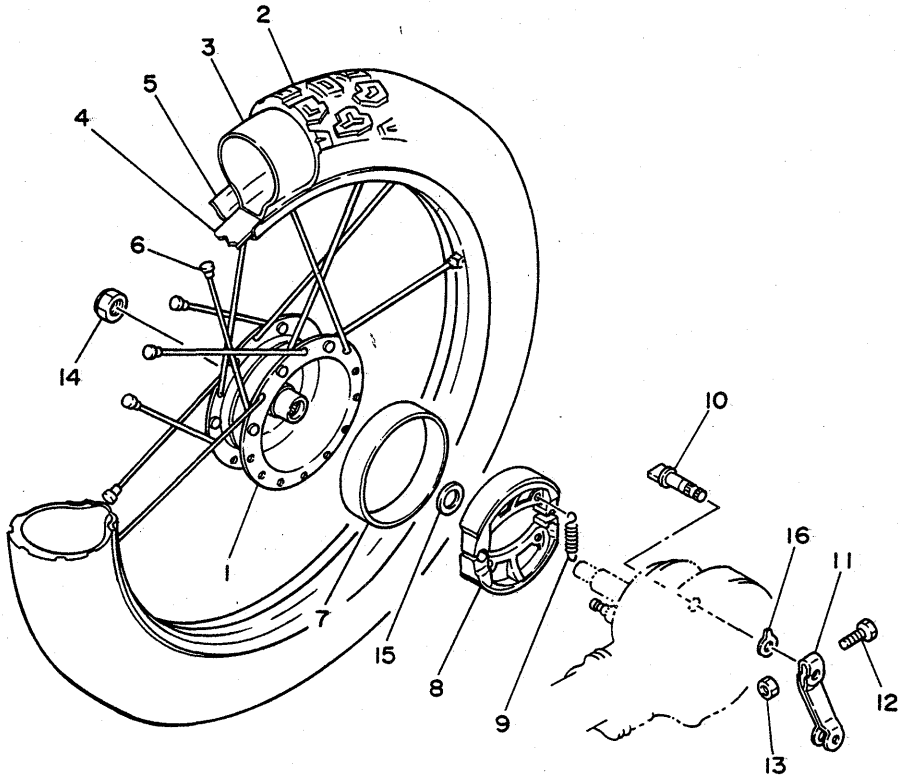


34V331-4200

C10

FIG. 21 REAR WHEEL

REF. NO.	PART NO.	DESCRIPTION	Q'TY	REMARKS
1	17J-25311-00-98	HUB, rear	1	low gloss black
2	94127-164E9	TIRE (2.75-16)	1	inoue
3	94230-16075	TUBE (3.00-16)	1	inoue
4	94330-16058	BAND, rim (3.00-16)	1	inoue
5	94414-16370	RIM (1.40-16)	1	
6	34M-25304-00	SPOKE SET, rear	1	
7	17J-25336-00	RING 2	1	
8	4K5-25130-00	BRAKE SHOE COMP.	2	
9	90506-14081	SPRING, tension	2	
10	4K5-25351-00	CAMSHAFT	1	
11	34M-25355-00	LEVER, camshaft	1	
12	97301-06025	BOLT	1	
13	95301-06600	NUT	1	
14	90185-12080	NUT, self-locking	1	
15	90201-15700	WASHER, plate	1	
16	3L8-2513A-00	PLATE, indicator	1	

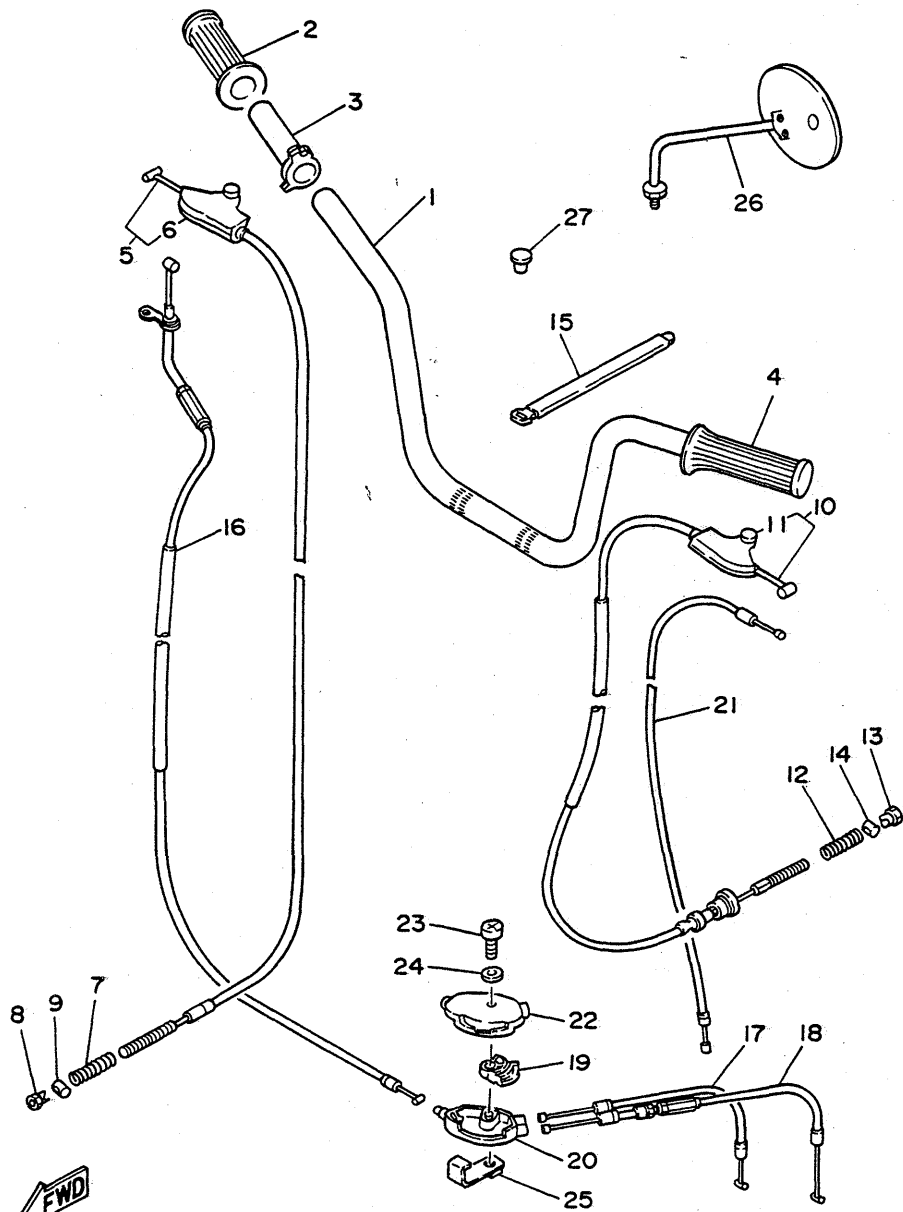


34M342-4210

C11

FIG. 22 STEERING HANDLE. CABLE

REF. NO.	PART NO.	DESCRIPTION	Q'TY	REMARKS
1	34M-26110-00	HANDLE COMP.	1	
2	2E9-26242-10	GRIP (R.H)	1	
3	2E9-26243-00	TUBE, throttle guide	1	
4	2E9-26241-10	GRIP (L.H)	1	
5	34M-26341-00	CABLE, brake	1	
6	17J-2637A-00	.COVER, handle lever 2	1	
7	90501-10513	SPRING, compression	1	
8	90179-06176	NUT	1	
9	90249-12008	PIN	1	
10	34M-26351-00	CABLE, brake	1	
11	17J-26372-00	.COVER, handle lever 1	1	
12	90501-10074	SPRING, compression	1	
13	90179-06176	NUT	1	
14	90249-12008	PIN	1	
15	435-13474-00	BAND	1	
16	34M-26311-01	CABLE, throttle 1	1	
17	34M-26312-00	CABLE, throttle 2	1	
18	34M-26321-00	CABLE, pump	1	
19	5G3-26263-02	PIECE, connecting	1	
20	5G3-26261-02	CONNECTOR, cable	1	
21	34M-26331-00	CABLE, starter 1	1	
22	2T4-26262-01	CAP, cable connector	1	
23	98501-05025	SCREW, pan head	1	
24	92901-05600	WASHER, plate	1	
25	14T-26398-00	WASHER	1	
26	4J2-26290-10	BACK MIRROR ASSY (LEFT)	1	
27	90338-07124	PLUG	1	

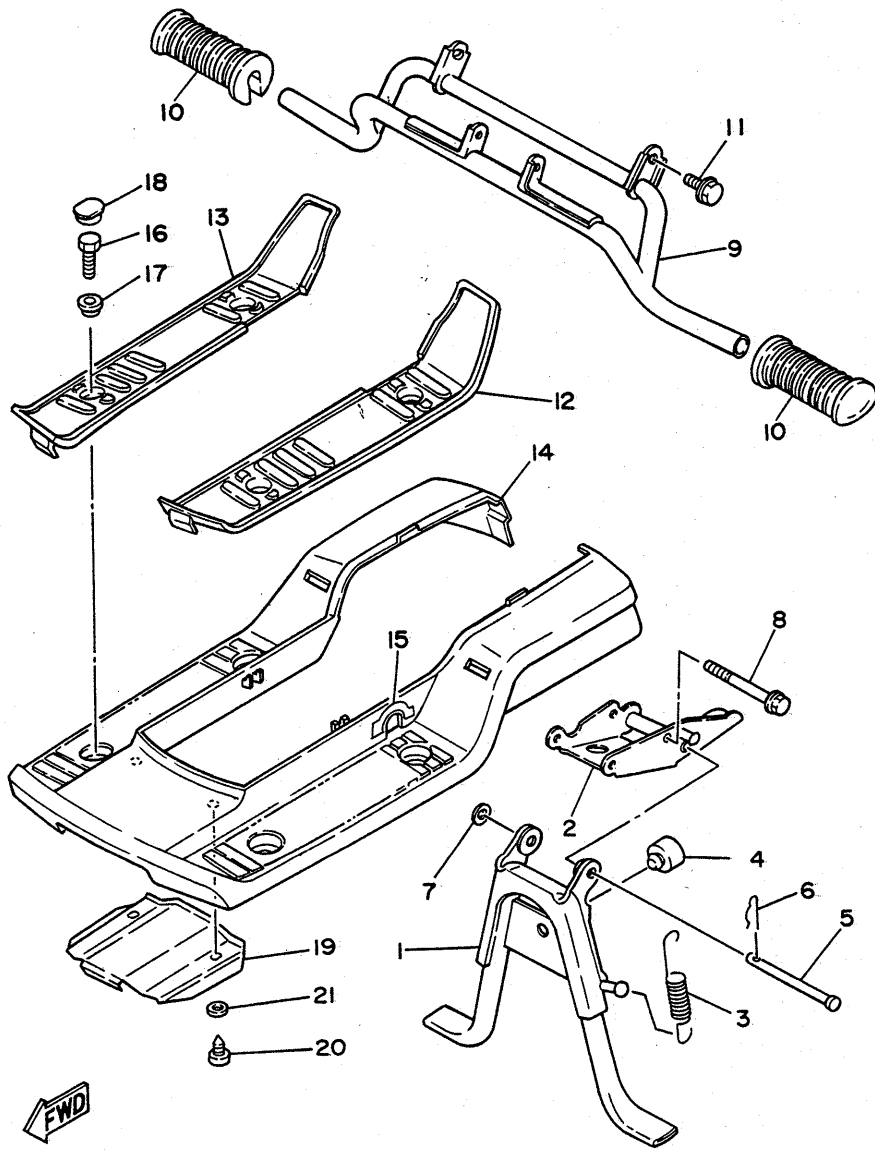


34M342-4221

C12

FIG. 23 STAND. FOOTREST

REF. NO.	PART NO.	DESCRIPTION	Q'TY	REMARKS
1	34M-27111-00-33	STAND, main	1	yamaha black
2	34M-27151-00	BRACKET, main stand	1	
3	90506-29052	SPRING, tension	1	
4	278-27114-00	STOPPER, main stand	1	
5	91701-08078	PIN, clevis	1	
6	90468-12006	CLIP	1	
7	92901-08600	WASHER, plate	1	
8	90105-06301	BOLT, washer based	2	
9	34M-27411-01-33	FOOTREST 1	1	yamaha black
10	517-92080-10	COVER, footrest	2	
11	95811-06012	BOLT, flange	4	
12	34M-27483-00	MAT 1	1	
13	34M-27484-00	MAT 2	1	
14	34M-27481-00	BOARD, footrest	1	
15	34M-24549-00	EMBLEM, fuel cock	1	
16	97301-06016	BOLT	4	
17	90387-06681	COLLAR	4	
18	34M-27475-00	CAP 1	4	
19	34M-27453-00	COVER 1	1	
20	97706-50112	SCREW, tapping	2	
21	92906-05200	WASHER, plain	2	

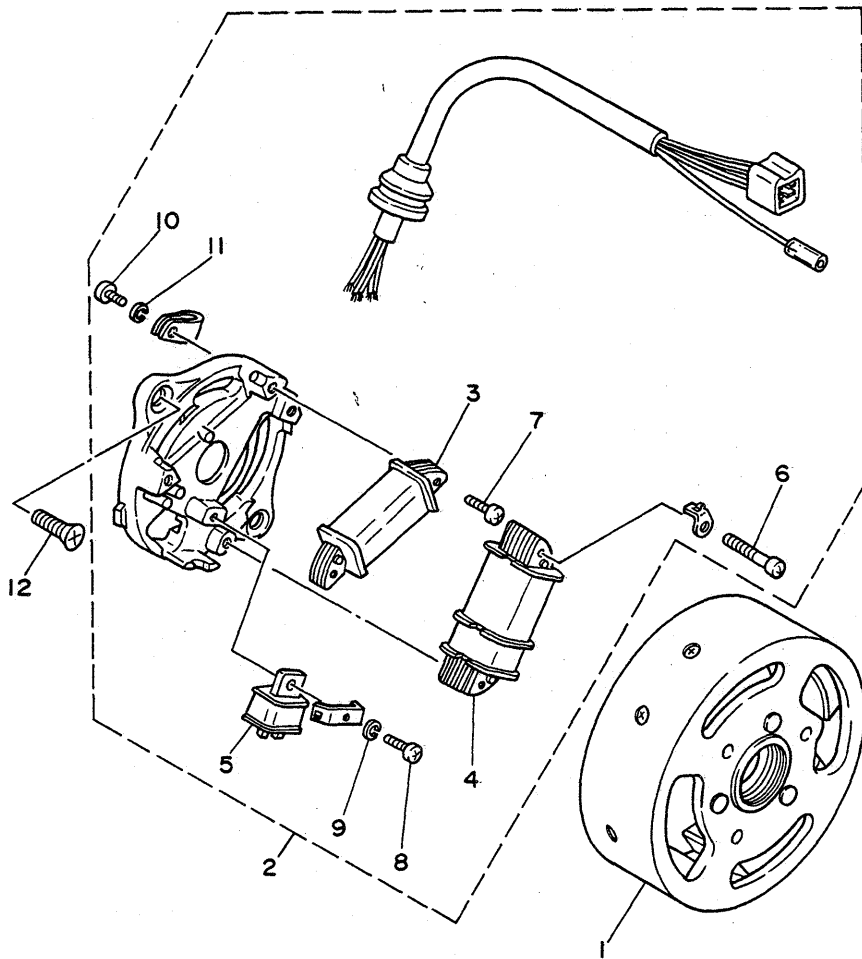


FWD

34M342-4231

C13

FIG. 24 GENERATOR



REF. NO.	PART NO.	DESCRIPTION	Q'TY	REMARKS
1	3L6-85550-M0	ROTOR ASSY	1	
2	34M-85560-M0	BASE ASSY	1	
3	4Y4-85520-M0	.COIL, charge	1	
4	34M-81313-M0	.COIL, lighting 1	1	
5	3L5-85580-M0	.COIL, pulser	1	
6	98511-04025	.SCREW, pan head	2	
7	98511-04012	.SCREW, pan head	2	
8	98503-04010	.SCREW, pan head	1	
9	92901-04100	.WASHER, spring	1	
10	98501-04006	.SCREW, pan head	1	
11	92901-04100	.WASHER, spring	1	
12	92701-06015	SCREW, flat head	2	

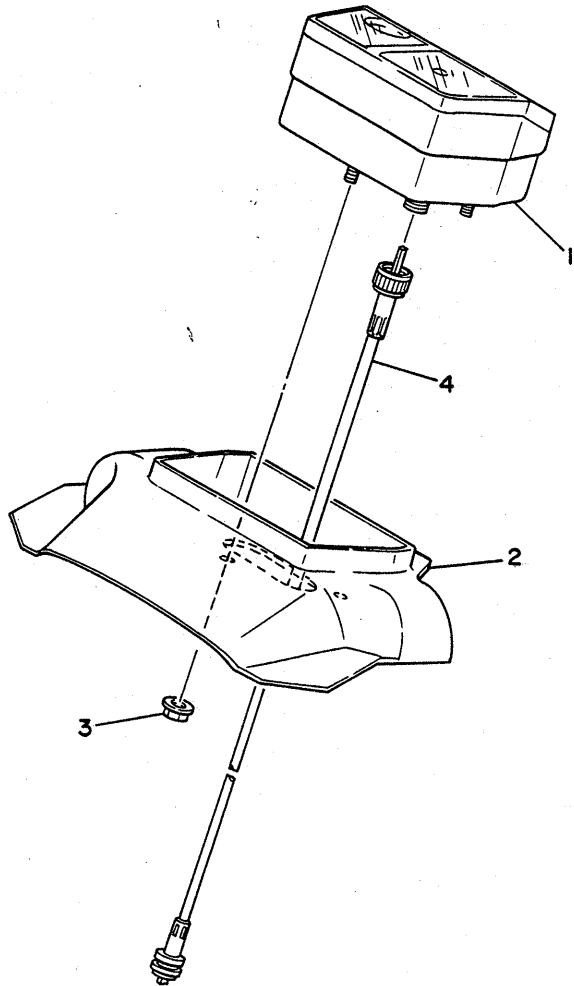


34M342-4240

C14

FIG. 25 METER

REF. NO.	PART NO.	DESCRIPTION	Q'TY	REMARKS
1	34M-83510-F0	SPEEDOMETER ASSY	1	
2	34M-83519-00	BRACKET, meter	1	
3	95701-05100	NUT, flange	2	
4	34N-83550-00	SPEEDOMETER CABLE ASSY	1	

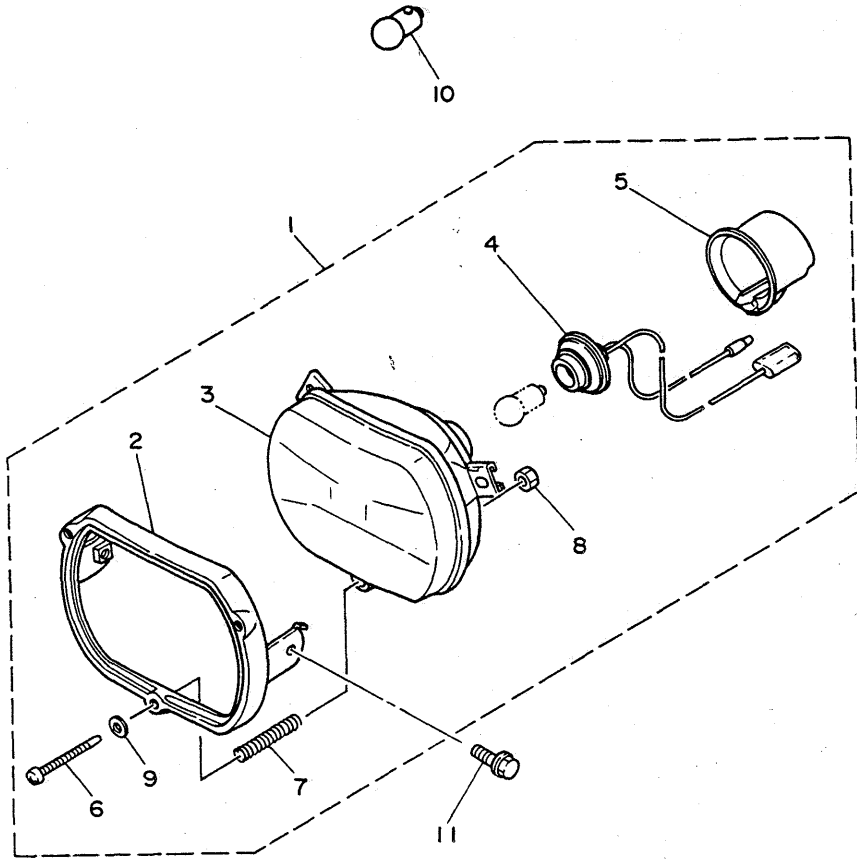


34M342-4260

C15

FIG. 26 HEADLIGHT

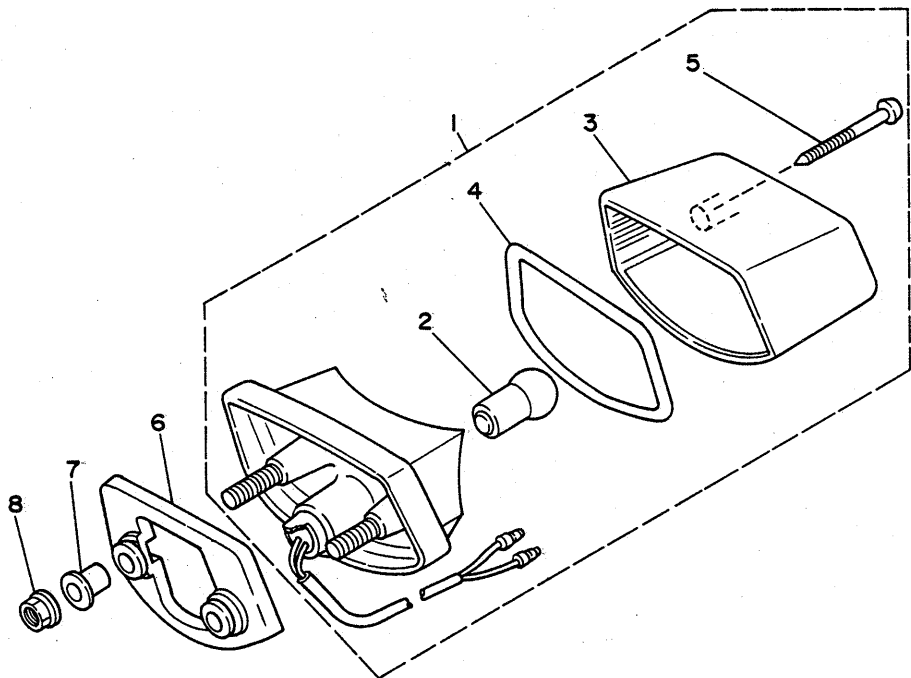
REF. NO.	PART NO.	DESCRIPTION	Q'TY	REMARKS
1	34N-84303-40	HEADLIGHT UNIT ASSY	1	
2	34N-84115-00	.RIM, headlight	1	
3	30E-84121-45	.LENS, headlight	1	
4	468-84112-40	.SOCKET	1	
5	30E-84197-45	.COVER, socket	1	
6	2F9-84331-00	.SCREW, rim adjusting	3	
7	341-84332-60	.SPRING, screw	3	
8	198-84334-60	.NUT, adjusting	3	
9	233-84127-60	.WASHER, special	3	
10	*	BULB, headlight (12V-15W)	1	LM
11	95801-06010	BOLT, flange	2	



34V331-4260

D2

FIG. 27 TAILLIGHT



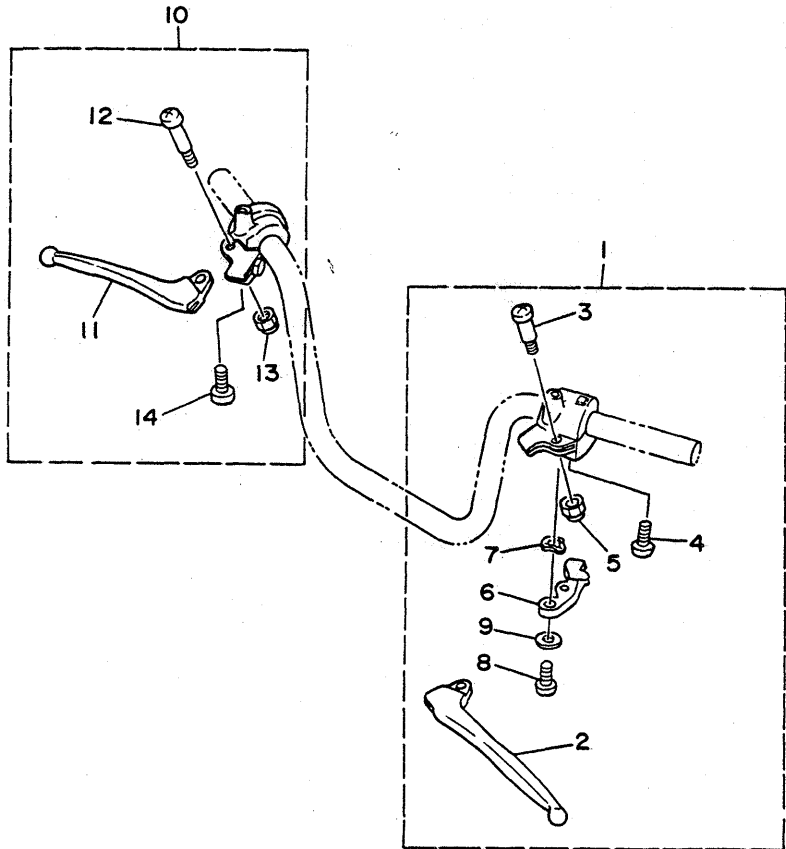
REF. NO.	PART NO.	DESCRIPTION	Q'TY	REMARKS
1	34V-84710-E0	TAILLIGHT UNIT ASSY	1	
2	34M-84714-00	.BULB (12V-5W)	1	
3	10V-84521-00	.LENS, taillight	1	
4	10V-84523-00	.GASKET, lens	1	
5	97701-40530	.SCREW, tapping	2	
6	10V-84527-00	DAMPER	1	
7	90387-07391	COLLAR	2	
8	95701-06100	NUT, flange	2	



34M342-4280

D3

FIG. 28 HANDLE SWITCH. LEVER



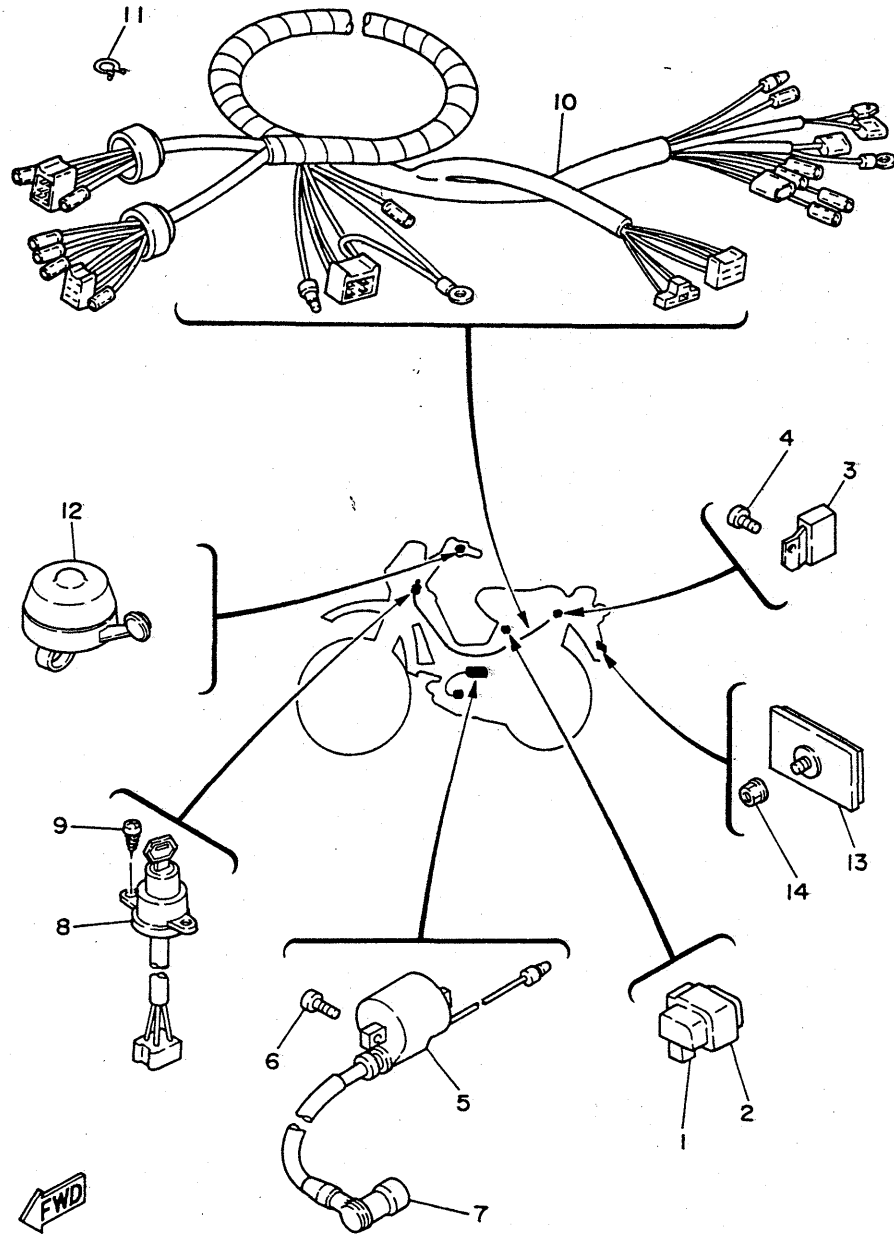
REF. NO.	PART NO.	DESCRIPTION	Q'TY	REMARKS
1	34N-82910-00	LEVER HOLDER ASSY (LEFT)	1	
2	14T-83912-00	.LEVER 1	1	
3	90149-05194	.SCREW	1	
4	98501-05035	.SCREW, pan head	2	
5	95601-05100	.NUT, u	1	
6	4K3-83941-00	.LEVER, starter	1	
7	90206-08051	.WASHER, wave	1	
8	98501-05012	.SCREW, pan head	1	
9	92901-05600	.WASHER, plate	1	
10	34M-82920-01	LEVER HOLDER ASSY (RIGHT)	1	
11	14T-83922-00	.LEVER 2	1	
12	90149-06175	.SCREW	1	
13	95601-05100	.NUT, u	1	
14	98501-05030	.SCREW, pan head	2	



34V331-4280

D4

FIG. 29 ELECTRICAL 1



REF. NO.	PART NO.	DESCRIPTION	Q'TY	REMARKS
1	25L-85540-M0	C.D.I. UNIT ASSY	1	
2	34M-85546-00	BAND	1	
3	34N-81910-60	VOLTAGE REGULATOR ASSY	1	
4	92501-06010	SCREW, pan head	1	
5	3L5-82310-M0	IGNITION COIL ASSY	1	
6	92501-06014	SCREW, pan head	2	
7	5R2-82370-20	PLUG CAP ASSY	1	UR with noise suppressor
	117-82370-20	PLUG CAP ASSY	1	UR
8	34M-82510-21	MAIN SWITCH ASSY	1	
9	97701-40516	SCREW, panhead tapping	2	
10	34V-82590-20	WIRE HARNESS ASSY	1	
11	90464-16039	CLAMP	1	
12	469-83382-00	BELL	1	
13	3G1-85130-00	REAR REFLECTOR ASSY	1	
14	95701-05100	NUT, flange	1	

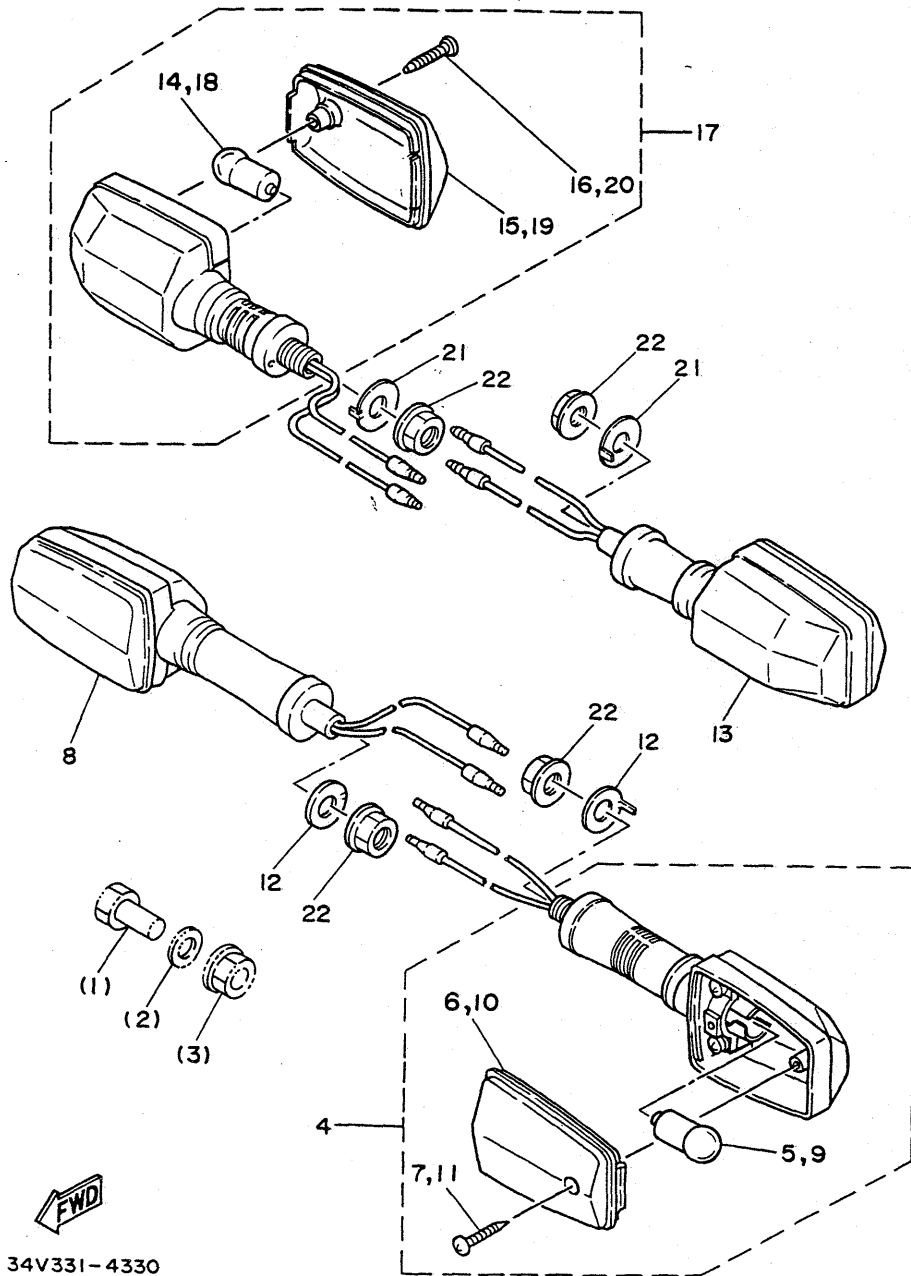


34V331-4290

D5

FIG. 30 ALTERNATE (FLASHER LIGHT)

REF. NO.	PART NO.	DESCRIPTION	Q'TY	REMARKS
1	97301-12020	BOLT	*	
2	92901-12600	WASHER, plate	*	
3	95701-12100	NUT, flange	*	
4	34W-83310-20	FRONT FLASHER LIGHT ASSY 1	1	
5	1W8-83311-20	.BULB (12V-10W)	1	
6	17W-83312-10	.LENS, flasher	1	
7	97702-40520	.SCREW, tapping	1	
8	34W-83320-20	FRONT FLASHER LIGHT ASSY 2	1	
9	1W8-83311-20	.BULB (12V-10W)	1	
10	17W-83322-10	.LENS, flasher 2	1	
11	97702-40520	.SCREW, tapping	1	
12	90214-12032	WASHER, claw	2	
13	34M-83330-20	REAR FLASHER LIGHT ASSY 1	1	
14	1W8-83311-20	.BULB (12V-10W)	1	
15	17W-83322-10	.LENS, flasher 2	1	
16	97702-40520	.SCREW, tapping	1	
17	34M-83340-20	REAR FLASHER LIGHT ASSY	1	
18	1W8-83311-20	.BULB (12V-10W)	1	
19	17W-83312-10	.LENS, flasher	1	
20	97702-40520	.SCREW, tapping	1	
21	90214-12033	WASHER, claw	2	
22	95701-12100	NUT, flange	4	



FWD

34V331-4330

D6

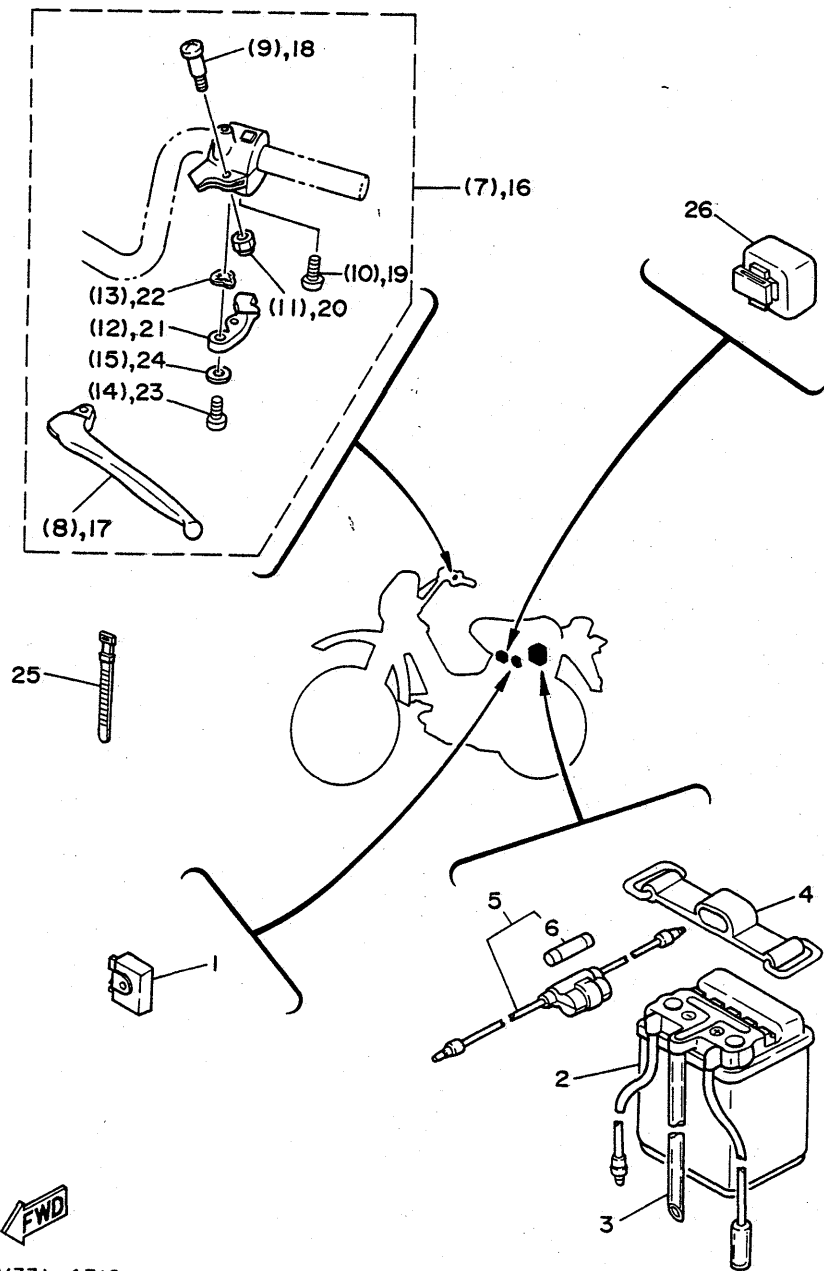


FIG. 31 ALTERNATE (ELECTRICAL)

REF. NO.	PART NO.	DESCRIPTION	Q'TY	REMARKS
1	353-81970-50	RECTIFIER ASSY	1	toshiba
2	34M-82110-60	BATTERY ASSY	1	UR
	34M-82110-70	BATTERY ASSY	1	UR
3	90445-13785	HOSE	1	
4	18U-82131-00	BAND, battery	1	
5	27V-82150-00	FUSE HOLDER ASSY	1	
6	27V-82151-00	.FUSE (7A)	1	
7	34N-82910-00	LEVER HOLDER ASSY (LEFT)	*	
8	14T-83912-00	.LEVER 1	*	
9	90149-05194	.SCREW	*	
10	98501-05035	.SCREW, pan head	*	
11	95601-05100	.NUT, u	*	
12	4K3-83941-00	.LEVER, starter	*	
13	90206-08051	.WASHER, wave	*	
14	98501-05012	.SCREW, pan head	*	
15	92901-05600	.WASHER, plate	*	
16	34N-82910-50	LEVER HOLDER ASSY (LEFT)	1	
17	14T-83912-00	.LEVER 1	1	
18	90149-06175	.SCREW	1	
19	98501-05035	.SCREW, pan head	2	
20	95601-05100	.NUT, u	1	
21	4K3-83941-00	.LEVER, starter	1	
22	90206-08051	.WASHER, wave	1	
23	98501-05012	.SCREW, pan head	1	
24	92901-05600	.WASHER, plate	1	
25	437-83936-00	BAND, switch cord	1	
26	34M-83350-20	FLASHER RELAY ASSY	1	

FWD

34V331-4310

D7

NUMERICAL INDEX

PART NO.	GRID NO.	PART NO.	GRID NO.	PART NO.	GRID NO.	PART NO.	GRID NO.	PART NO.	GRID NO.	PART NO.	GRID NO.
34M-W2471-01	C- 8	3L5-14198-00	B- 6	15L-18473-00	C- 4	34N-2177G-00	B-13	34M-24312-00	B-12	34M-26321-00	C-12
34M-11111-00	B- 2	620-14231-11	B- 6	34M-21110-02-33	B-12	34N-2177G-10	B-13	34M-24313-00	B-12	34M-26331-00	C-12
517-11181-00	B- 2	34M-14411-00	B- 5	34M-21308-00	C- 8	34N-2177G-20	B-13	34M-24325-00	B-12	34M-26341-00	C-12
34N-11311-00	B- 2	34M-14412-01	B- 5	34M-21359-00	B-12	3L5-21770-01	C- 2	34M-24500-02	B-12	34M-26351-00	C-12
2E9-11351-00	B- 2	34M-1442A-01	B-14	34M-2139X-00	B-12	34M-21781-00	B-14	34M-24524-02	B-12	17J-2637A-00	C-12
3L5-11400-01	B- 3	34M-1442E-01	B-14	34M-21511-00	B-13	34M-21782-00	B-14	34M-24549-00	C-13	17J-26372-00	C-12
3L5-11412-00	B- 3	34M-14451-00	B- 5	34M-21511-10	B-13	34M-22110-00-33	C- 3	34M-24572-00	B-12	14T-26398-00	C-12
3L5-11422-01	B- 3	3L5-14453-01	B- 5	34M-21511-20	B-13	34M-22120-00-90	C- 3	34M-24610-00	B-12	34M-27111-00-33	C-13
260-11610-03	B- 3	34M-14493-01	B- 5	34N-21513-00	B-13	4J2-22174-01	C- 3	1L4-24615-00	B-12	278-27114-A0	C- 8
260-11610-13	B- 3	34V-14610-02	B- 7	2E9-21521-00	B-13	34M-22210-00	C- 3	1L4-24616-00	B-12	278-27114-00	C-13
260-11610-23	B- 3	2E9-14613-00	B- 7	34N-21610-00	B-13	164-22216-00	C- 4	34M-24705-00	C- 8	34M-27151-00	C-13
4K5-11631-00-A0	B- 3	34M-14718-01	B- 7	34M-21610-10	B-13	34M-23102-00	C- 7	34M-24711-01	C- 8	34M-27411-01-33	C-13
3L5-11633-00	B- 3	34U-1490J-00	B- 6	34N-21610-20	B-13	34M-23103-00	C- 7	34M-24718-01	C- 8	34M-27414-00	B-12
4K5-11635-00	B- 3	4X4-15111-00	B- 8	34M-21620-00	B-13	34M-23106-00-35	C- 7	296-24723-00	C- 8	34M-27424-00	B-12
4K5-11636-00	B- 3	4J2-15113-00	B- 8	34V-21622-00	B-13	34M-23107-00-35	C- 7	34M-24728-01	C- 8	34M-27453-00	C-13
2E9-11651-00	B- 3	4J2-15121-00	B- 8	31A-21638-00	B-12	34M-23110-00	C- 7	34M-25104-00	C- 9	34M-27475-00	C-13
2E9-11681-00	B- 3	3L5-15128-00	B- 8	34M-21639-00	B-13		C- 7	34M-25111-00-98	C- 9	34M-27481-00	C-13
3L5-13101-00	B- 4	2E9-15316-00	B- 8	34M-21642-00	B-13	34M-23111-00	C- 7	2E9-25116-00	C- 9	34M-27483-00	C-13
3L5-13124-00	B- 4	4J2-15363-00	B- 8	34M-21688-00	B-13		C- 7	34M-25121-00-98	C- 9	34M-27484-00	C-13
384-13138-00	B- 4	4J2-15415-00	B- 8	34V-21691-00	B-13	17J-23113-00	C- 7	2E9-25129-00	C- 9	34M-28100-00	B-12
34M-13161-00	B- 4	3L5-15416-00	B- 4	34M-2171E-00	B-14		C- 7	3L8-2513A-00	C- 9	34N-28321-00	C- 5
3L5-13178-00	B- 9	4J2-15421-00	B- 8	34M-2171E-10	B-14	5U4-23115-00	C- 6		C-11	34N-28322-00	C- 5
435-13474-00	C-12	3L5-15426-00	B- 4	34M-2171E-20	B-14	3L6-23125-00	C- 7	4K5-25130-00	C- 9	34N-28332-00	C- 5
34V-13555-00	B- 5	3L5-15451-01	B- 8	34M-21711-00	B-14		C- 7		C-11	34M-28338-00	C- 6
3L5-13610-00	B- 5	34M-15484-01	B- 8	34M-21711-10	B-14	34M-23141-00	C- 7	34M-25135-00	C- 9	34M-28350-00-98	C- 5
3L5-13613-00	B- 5	4J2-15491-00	B- 8	34M-21711-20	B-14		C- 7	2E9-25137-01	C- 9	34M-28350-10-98	C- 5
3L5-13616-00	B- 5	3L5-15601-00	B- 9	4N0-21717-00	B-14	4N0-23151-00	C- 7	2T4-25137-00	C- 9	34M-28350-20	C- 5
3L5-13621-00	B- 5	2T4-15618-00	B- 9	34M-21719-00	B-14		C- 7	34M-25138-00	C- 9	34M-28371-00	C- 5
3L5-13622-00	B- 5	34M-15620-00	B- 9	34M-21721-00	B-14	5U4-2317J-00	C- 6	34M-25155-00	C- 9	34V-46110-00	C- 4
3L5-13624-00	B- 5	3L5-15631-00	B- 9	34M-21721-10	B-14	34M-23191-00	C- 7	34M-25181-00	C- 9	3L5-46114-00	C- 4
34U-14101-00	B- 6	3L5-15664-00	B- 9	34M-21721-20	B-14	34M-23195-00	C- 7	34M-25304-00	C-11	5F4-46121-00	C- 4
36R-14103-00	B- 6	3L5-15673-00	B- 9	34M-2173G-00	B-14	34M-2331E-00	C- 7	17J-25311-00-98	C-11	3L5-46127-00	C- 4
36R-14104-00	B- 6	3L5-16111-00	B-10	34M-2173G-20	B-15	34M-23318-00	C- 5	34M-25317-00	C- 4	34M-46151-00	C- 4
17L-14106-00	B- 6	3L5-16114-00	B-10	34N-2173G-10	B-14	3Y1-23319-00	C- 5	17J-25336-00	C- 9	4J2-46154-01	C- 4
3L5-14112-40	B- 6	3L5-16115-00	B-10	34M-2173H-00	B-15	34N-23327-00	C- 5		C-11	34N-46171-00	C- 4
174-14131-01	B- 6	3L5-16125-00	B-10	34M-2173H-20	B-15	34N-23328-00	C- 5	4K5-25351-00	C- 9	34M-81313-M0	C-14
3F7-14134-00	B- 6	3L5-16181-01	B-10	34N-2173H-10	B-15	34M-23340-00	C- 7		C-11	34N-81910-60	D- 5
127-14135-00	B- 6	3L5-16611-02	B-10	34M-21731-00	B-14	34M-23408-00	C- 5	34M-25355-00	C-11	353-81970-50	D- 7
3L7-14141-10	B- 6	34N-16620-00	B-10	34M-21731-10	B-14	3L6-23411-00	C- 5	34M-26110-00	C-12	34M-82110-60	D- 7
3L5-14142-40	B- 6	3L5-16627-02	B-10	34M-21731-20	B-14	2E9-23412-00	C- 5	2E9-26241-10	C-12	34M-82110-70	D- 7
1R0-14169-00	B- 6	2T4-16629-00	B-10	34M-21741-00	B-14	2E9-23413-01	C- 5	2E9-26242-10	C-12	122-82131-00	B-12
127-14171-00	B- 6	34V-17410-00	B-11	34M-21741-10	B-14	2E9-23414-01	C- 5	2E9-26243-00	C-12	18U-82131-00	D- 7
3L5-14184-00	B- 6	3L5-17442-00	B-11	34M-21741-20	B-14	34M-23435-01-33	C- 5	5G3-26261-02	C-12	27V-82150-00	D- 7
3L6-14185-01	B- 6	3L5-17471-00	B-11	34M-21746-00	B-14	5R2-23441-00-98	C- 5	2T4-26262-01	C-12	27V-82151-00	D- 7
603-14186-00	B- 6	3L5-17473-00	B-11		B-14	5R2-23442-00-98	C- 5	5G3-26263-02	C-12	3L5-82310-M0	D- 5
3L5-14190-01	B- 6	3L5-17531-00	B-11	34M-21747-00	B-13	2H9-23469-00	C- 5	4J2-26290-10	C-12	117-82370-20	D- 5
4N0-14191-00	B- 6	3L5-17537-00	B-11		B-14	34M-2418A-00	B-12	34M-26311-01	C-12	5R2-82370-20	D- 5
214-14197-00	B- 6	34V-17552-00	B-11	34M-21751-00	C- 2	34M-24311-00	B-12	34M-26312-00	C-12	34M-82510-21	D- 5

NUMERICAL INDEX

PART NO.	GRID NO.	PART NO.	GRID NO.	PART NO.	GRID NO.	PART NO.	GRID NO.	PART NO.	GRID NO.	PART NO.	GRID NO.
34V-82590-20	D- 5	3L5-85580-M0	C-14	90214-12033	D- 6	92501-06014	D- 5	93306-20006	C- 9	95806-06012	C- 6
34N-82910-00	D- 4	517-92080-10	C-13	90249-12008	C-12	92501-06020	B- 5	93306-20110	C- 4	95806-08012	B- 5
34N-82910-50	D- 7	90101-05488	C- 9		C-12	92501-06045	B- 8	93306-20111	C- 4	95811-06012	C-13
34M-82920-01	D- 4	90101-06304	C- 8	90267-48078	B-13	92506-06012	C- 5		C- 4	95826-06012	B- 7
34W-83310-20	D- 6	90101-08461	C- 3	90280-03017	B- 3	92506-06016	C- 5	93306-20113	C- 3	95826-10040	C- 7
1W8-83311-20	D- 6	90101-10600	C- 7	90282-05034	B-10	92506-06025	B- 8	93306-20203	C- 4	97301-06016	B-12
	D- 6	90105-06301	C-13	90338-07124	C-12	92506-06035	B- 8	93306-20205	C- 4		C-13
	D- 6	90105-08066	C- 3	90387-06681	C-13		B- 8	93306-20209	C- 4	97301-06025	C-11
	D- 6	90105-08103	B- 8	90387-07391	D- 3	92701-06015	C-14	93306-20316	B-11	97301-12020	C- 6
17W-83312-10	D- 6	90105-08295	C- 3	90387-102J2	C-10	92701-06025	C- 8	93306-20326	B- 3	97306-08020	B- 7
	D- 6	90105-10130	B-12	90387-125A5	C- 3	92701-06030	C- 8	93310-21038	B- 3	97311-06016	C- 4
34W-83320-20	D- 6	90109-06614	B- 5	90387-16730	B-10	92901-04100	C-14	93310-416F7	B- 3	97311-06025	B- 9
17W-83322-10	D- 6	90109-08582	B- 8	90401-10029	B- 4		C-14	93410-16006	B-10	97701-40516	D- 5
	D- 6	90109-08756	B- 8	90430-04004	B- 4	92901-04200	C- 4		B-10	97701-40530	D- 3
34M-83330-20	D- 6	90116-06418	B- 2	90430-04181	B- 7	92901-05600	C-12	93430-07012	B- 4	97701-50115	B- 4
34M-83340-20	D- 6	90149-04135	B- 4	90430-08119	B- 8		D- 4	93440-17138	C- 4	97701-50130	B- 5
34M-83350-20	D- 7	90149-05194	D- 4	90445-09M25	C- 2		D- 7	93450-11021	B- 3	97702-40520	D- 6
469-83382-00	D- 5	90149-06113	B- 7	90445-13785	D- 7	92901-06100	B- 8	93450-34064	C- 7		D- 6
34M-83510-F0	C-15	90149-06175	D- 4	90460-31163	C- 7		B-12		C- 7		D- 6
34M-83519-00	C-15		D- 7	90464-16039	D- 5	92901-06600	B-12	93505-32002	C- 5		D- 6
34N-83550-00	C-15	90149-35133	C- 4	90465-04260	B-15		C- 4	94125-175E3	C- 9	97706-50112	C-13
34M-83592-00	C- 6	90149-45134	B-11	90467-08003	B-12	92901-08100	C- 3	94127-164E9	C-11	98501-04006	C-14
14T-83912-00	D- 4	90152-04011	B-12		C- 2	92901-08600	C-13	94225-17105	C- 9	98501-04014	B- 6
	D- 7	90154-06022	B-14	90467-09006	B-12	92901-12100	B- 3	94230-16075	C-11	98501-05012	D- 4
14T-83922-00	D- 4	90159-05047	C- 5	90467-10038	B-12	92901-12600	B- 3	94322-17078	C- 9		D- 7
437-83936-00	D- 7	90159-06013	B- 5	90467-20023	B- 5		C- 6	94330-16058	C-11	98501-05020	B- 4
4K3-83941-00	D- 4		B-14	90468-02033	B- 4	92902-05100	B- 6	94414-16370	C-11	98501-05025	C-12
	D- 7	90170-10105	B- 4	90468-12006	C-13	92903-03100	B- 5	94414-17369	C- 9	98501-05030	D- 4
468-84112-40	D- 2	90170-10219	B-10	90501-10074	C-12	92906-05200	C-13	94701-00198	B- 2	98501-05035	B- 4
34N-84115-00	D- 2	90179-06176	C-12	90501-10513	C-12	92906-05600	B- 7	95301-05600	B- 6		D- 4
30E-84121-45	D- 2		C-12	90501-700A4	C- 4		B-13		C- 9		D- 7
233-84127-60	D- 2	90179-06337	B- 2	90506-14081	C- 9	92906-06100	C- 5	95301-06600	C-11	98502-03010	B- 5
30E-84197-45	D- 2	90179-08065	C- 3		C-11		C- 5	95301-12700	B- 3	98502-05012	B- 6
34N-84303-40	D- 2	90179-10280	B-12	90506-29052	C-13	92906-06600	B- 8	95303-10800	C- 3	98502-05030	B- 6
2F9-84331-00	D- 2		C- 9	90508-28399	B- 9	92906-08100	B- 7	95601-05100	D- 4	98503-04010	C-14
341-84332-60	D- 2	90185-12080	C-11	90560-10103	C- 9	92906-08600	B- 7		D- 4	98506-05010	B- 7
198-84334-60	D- 2	90201-04325	B-13	90560-25185	C- 4	93101-10001	B- 4		D- 7	98506-05012	B-13
10V-84521-00	D- 3	90201-06656	C- 9	91316-06016	B-11	93102-15267	B-11	95701-05100	C-15	98506-05016	B- 8
10V-84523-00	D- 3	90201-08326	C- 3	91316-06045	C- 5	93102-17067	B- 3		D- 5	98511-04012	C-14
10V-84527-00	D- 3	90201-105E4	C- 5	91609-30014	B- 4	93102-23174	B- 3	95701-06100	D- 3	98511-04025	C-14
34V-84710-E0	D- 3	90201-106F2	C- 3	91701-08078	C-13	93106-17015	C- 9	95701-12100	D- 6		
34M-84714-00	D- 3	90201-122A3	C- 3	91830-22016	B- 8	93106-24018	C- 3	95702-06100	C- 8		
3G1-85130-00	D- 5	90201-15700	C-11		B- 8	93109-15001	B- 9	95702-12100	C- 6		
4Y4-85520-M0	C-14	90201-16383	B-10	92501-06010	D- 5	93210-10096	C-10	95801-06010	D- 2		
25L-85540-M0	D- 5	90206-08051	D- 4	92501-06012	B- 8	93210-14104	B- 8	95801-06012	B-13		
34M-85546-00	D- 5		D- 7		B- 8	93210-26240	B- 4	95801-06016	B-13		
3L6-85550-M0	C-14	90208-10012	B-10		B-13	93211-05393	C- 4		B-13		
34M-85560-M0	C-14	90214-12032	D- 6	92501-06014	C- 4	93306-20005	C- 9		C- 2		

PARTS NAME INDEX

DESCRIPTION	GRID NO.	DESCRIPTION	GRID NO.	DESCRIPTION	GRID NO.
ABSORBER 1	B-10	BOLT, flange	C- 7	CLAMP, hose	C- 7
ABSORBER 2	B-10	*	C-13	CLIP	B- 4
AIR SCREW SET	B- 6	*	D- 2	*	B- 5
ARM COMP.	C- 3	BOLT, stud	B- 2	*	B- 9
AXLE, wheel	C- 9	BOLT, union	B- 4	*	B-12
BACK MIRROR ASSY (LEFT)	C-12	BOLT, washer based	B- 8	*	C- 2
BALL	C- 5	*	B-12	*	C-13
BAND	C-12	*	C- 3	CLUTCH CARRIER ASSY	B-10
*	D- 5	*	C-13	CLUTCH HOUSING COMP.	B-10
BAND, battery	B-12	BOOT	C- 7	COIL, charge	C-14
*	D- 7	BOX, battery	B-13	COIL, lighting 1	C-14
BAND, flap	B-13	BRACKET, coil	B-12	COIL, pulser	C-14
BAND, rim (2.25-17)	C- 9	BRACKET, main stand	C-13	COLLAR	B-10
BAND, rim (3.00-16)	C-11	BRACKET, meter	C-15	*	C- 3
BAND, switch cord	D- 7	BRACKET, rear stay	B-13	*	C- 7
BASE ASSY	C-14	BRACKET, seat	C- 8	*	C-10
BATTERY ASSY	D- 7	BRAKE SHOE COMP.	C- 9	*	C-13
BEARING	B- 3	*	C-11	*	D- 3
BEARING (B6200)	C- 9	BREATHER COMP.	B-12	COLLAR, distance	B-11
BEARING (B6201)	C- 4	BULB (12V-10W)	D- 6	CONNECTOR, cable	C-12
BEARING (B6201-2RS)	C- 3	BULB (12V-5W)	D- 3	COVER 1	C-13
BEARING (B6202)	C- 4	BULB, headlight (12V-15W)	D- 2	COVER, cleaner case 3	B-14
BEARING (B6202RS)	C- 4	BUSH, rear shock absorber	C- 4	COVER, cleaner case 4	B-14
BEARING (B6203)	B-11	C.D.I. UNIT ASSY	D- 5	COVER, crankcase 2	B- 8
BEARING, cylindrical	B- 3	CABLE ADJUST SCREW SET	B- 6	COVER, footrest	C-13
BELL	D- 5	CABLE, brake	C-12	COVER, generator	B- 8
BOARD, footrest	C-13	CABLE, pump	C-12	COVER, handle lever 1	C-12
BOLT	B- 5	CABLE, starter 1	C-12	COVER, handle lever 2	C-12
*	B- 7	CABLE, throttle 1	C-12	COVER, housing	C- 4
*	B- 8	CABLE, throttle 2	C-12	COVER, kick lever	B- 9
*	B- 9	CAMSHAFT	C- 9	COVER, oil pump	B- 4
*	B-11	*	C-11	COVER, oil pump 2	B- 4
*	B-12	CAP	B- 6	COVER, side 1	B-14
*	C- 3	CAP 1	C-13	COVER, side 2	B-14
*	C- 4	CAP ASSY	B-12	COVER, side 3	B-14
*	C- 5	CAP, bolt	C- 5	COVER, side 4	B-14
*	C- 6	CAP, cable connector	C-12	COVER, side 5	B-14
*	C- 7	CAP, cleaner case 1	B- 5	COVER, single seat	C- 8
*	C- 8	CARBURETOR ASSY 1	B- 6	COVER, socket	D- 2
*	C- 9	CASE, air cleaner 1	B- 5	COWLING ASSY	C- 5
*	C-11	CIRCLIP	B- 3	CRANK 1	B- 3
*	C-13	*	B- 4	CRANK 2	B- 3
BOLT, cap	C- 7	*	B-10	CRANKCASE 1	B- 8
BOLT, flange	B- 5	*	C- 4	CRANKCASE 2	B- 8
*	B- 7	*	C- 7	CRANKSHAFT ASSY	B- 3
*	B-13	CLAMP	B-15	CROWN, handle	C- 5
*	C- 2	*	D- 5	CYLINDER 1	B- 2
*	C- 6	CLAMP 2	B- 8	DAMPER	B-12

PARTS NAME INDEX

DESCRIPTION	GRID NO.	DESCRIPTION	GRID NO.	DESCRIPTION	GRID NO.
DAMPER	B-13	GASKET, lens	D- 3	LEVER HOLDER ASSY (LEFT)	D- 4
*	B-14	GASKET, plate 1	B-12	*	D- 7
*	C- 5	GASKET, plate 2	B-12	LEVER HOLDER ASSY (RIGHT)	D- 4
*	C- 6	GASKET, valve seat	B- 5	LEVER, camshaft	C-11
*	D- 3	GEAR, drive	C- 9	LEVER, camshaft 1	C- 9
DAMPER 1	B-12	GEAR, drive pinion	C- 4	LEVER, cock	B-12
*	C- 6	GEAR, kick pinion (13T)	B- 9	LEVER, starter	D- 4
DAMPER 2	B-13	GEAR, meter	C- 9	*	D- 7
DAMPER, clutch weight	B-10	GEAR, primary drive (33T)	B-10	MAIN AXLE COMP. (12T)	B-11
DAMPER, engine mount 1	B- 8	GEAR, pump drive	B- 9	MAIN SWITCH ASSY	D- 5
DAMPER, footrest	B-12	GEAR, worm wheel (56T)	B- 4	MANIFOLD, intake	B- 5
DAMPER, footrest 2	B-12	GRIP (L.H.)	C-12	MAT 1	C-13
DAMPER, seat	C- 8	GRIP (R.H.)	C-12	MAT 2	C-13
DAMPER, side cover	B-14	GROMMET	B-14	METAL, slide 1	C- 7
ELEMENT, air cleaner	B- 5	GUARD, flap	B-13	MUD GUARD COMP.	B-13
EMBLEM	C- 6	GUIDE, cable	C- 7	NEEDLE SET	B- 6
EMBLEM 1	B-14	GUIDE, cover upper	C- 6	NEEDLE VALVE ASSY	B- 6
EMBLEM 2	B-14	GUIDE, spring	B- 9	NOZZLE, main	B- 6
EMBLEM SET 1	B-14	HANDLE COMP.	C-12	NUT	B- 2
*	B-15	HEAD, cylinder 1	B- 2	*	B- 3
EMBLEM SET 2	B-15	HEADLIGHT UNIT ASSY	D- 2	*	B- 4
EMBLEM, fuel cock	C-13	HELMET HANGER ASSY	C- 8	*	B- 6
END 1	C- 3	HOLDER	B- 8	*	B-10
EXHAUST PIPE ASSY 1	B- 7	HOLDER, cable 1	C- 5	*	B-12
FENDER, front	B-13	HOLDER, cable 2	C- 5	*	C- 3
FLANGE, spacer 2	C- 9	HOLDER, handle lower	C- 5	*	C- 9
FLAP	B-13	HOLDER, handle upper	C- 5	*	C-11
FLAP, front fender	B-13	HOSE	C- 2	*	C-12
FLASHER RELAY ASSY	D- 7	*	D- 7	NUT, adjusting	D- 2
FLOAT	B- 6	HOUSING, drive shaft	C- 4	NUT, crown	C- 3
FOOTREST 1	C-13	HUB, front	C- 9	NUT, flange	C- 8
FRAME COMP.	B-12	HUB, rear	C-11	*	C-15
FRONT FLASHER LIGHT ASSY 1	D- 6	IGNITION COIL ASSY	D- 5	*	C- 6
FRONT FLASHER LIGHT ASSY 2	D- 6	INNER TUBE COMP.1	C- 7	*	D- 3
FRONT FORK ASSY (L.H.)	C- 7	JET, main (# 55)	B- 6	*	D- 5
FRONT FORK ASSY (R.H.)	C- 7	JET, pilot (# 40)	B- 6	*	D- 6
FUEL COCK ASSY 1	B-12	JOINT, air cleaner 1	B- 5	NUT, self-locking	C-11
FUSE (7A)	D- 7	KEY, straight	B-10	NUT, u	D- 4
FUSE HOLDER ASSY	D- 7	KEY, woodruff	B- 3	*	D- 7
GASKET	B- 4	KICK CRANK ASSY	B- 9	O-RING	B- 4
*	B- 6	KICK SHAFT ASSY	B- 9	*	B- 8
*	B- 7	LENS, flasher	D- 6	*	C- 4
*	B- 8	LENS, flasher 2	D- 6	*	C-10
GASKET, crankcase cover 1	B- 8	LENS, headlight	D- 2	OIL PUMP ASSY	B- 4
GASKET, cylinder	B- 2	LENS, taillight	D- 3	OIL SEAL	B- 3
GASKET, cylinder head 1	B- 2	LEVER 1	D- 4	*	B- 4
GASKET, exhaust pipe	B- 7	*	D- 7	*	B- 9
GASKET, float chamber	B- 6	LEVER 2	D- 4	*	B-11

PARTS NAME INDEX

DESCRIPTION	GRID NO.	DESCRIPTION	GRID NO.	DESCRIPTION	GRID NO.
OIL SEAL	C- 3	REAR FENDER COMP.	B-13	SCREW, tapping	D- 6
*	C- 9	REAR FLASHER LIGHT ASSY	D- 6	SCREW, with washer	B- 5
OIL TANK CAP ASSY	C- 2	REAR FLASHER LIGHT ASSY 1	D- 6	*	B-14
OUTER TUBE COMP. (L.H)	C- 7	REAR REFLECTOR ASSY	D- 5	*	C- 5
OUTER TUBE COMP. (R.H)	C- 7	RECTIFIER ASSY	D- 7	SEAL, plate dust	C- 9
PIECE, connecting	C-12	REED VALVE ASSY	B- 5	SEAT LOCK ASSY	C- 8
PIN	C-12	REED, valve	B- 5	SHAFT DRIVE ASSY	C- 4
PIN, clevis	C-13	RETAINER, spring	C- 4	SHAFT, fuel charge	B-12
PIN, crank 1	B- 3	RIM (1.40-16)	C-11	SHIM, drive piston	C- 4
PIN, dowel	B- 8	RIM (1.40-17)	C- 9	SHIM, pinion	B-11
PIN, float	B- 6	RIM, headlight	D- 2	SHIM, thrust	B-11
PIN, piston	B- 3	RING 2	C- 9	SHOCK ABSORBER ASSY, rear	C- 3
PIN, spring	B- 4	*	C-11	SINGLE SEAT ASSY	C- 8
PINION, driven (12T)	B-11	RING GEAR COMP.	C- 4	SOCKET	D- 2
PIPE	B- 6	RING, stop	C- 9	SPACER	C- 4
PIPE 14	B-12	RIVET, blind	B-13	*	C- 9
PIPE 2	B-12	ROD, connecting	B- 3	SPACER 1	B-10
PIPE 3	B-12	ROTOR ASSY	C-14	SPACER, bearing	C- 4
PIPE, delivery 1	B- 4	RUBBER	C- 7	SPEEDOMETER ASSY	C-15
PIPE, fuel 1	B-12	SCREW	B- 4	SPEEDOMETER CABLE ASSY	C-15
PISTON (0.25MM O/S)	B- 3	*	B- 7	SPOKE SET, front	C- 9
PISTON (0.50MM O/S)	B- 3	*	B-11	SPOKE SET, rear	C-11
PISTON (STD)	B- 3	*	C- 4	SPRING, air adjusting	B- 6
PISTON RING SET (1ST O/S)	B- 3	*	D- 4	SPRING, clutch weight 2	B-10
PISTON RING SET (2ND O/S)	B- 3	*	D- 7	SPRING, compression	C- 4
PISTON RING SET (STD)	B- 3	SCREW, binding	B-14	*	C-12
PLATE	B- 8	SCREW, countersunk	B-12	SPRING, front fork	C- 7
PLATE, adjusting	B- 4	SCREW, flat head	C- 8	SPRING, plunger	B- 6
PLATE, brake shoe	C- 9	*	C-14	SPRING, rebound	C- 7
PLATE, cover	B-11	SCREW, pan head	B- 4	SPRING, screw	D- 2
*	C- 4	*	B- 5	SPRING, tension	C- 9
PLATE, indicator	C- 9	*	B- 6	*	C-11
*	C-11	*	B- 7	*	C-13
PLATE, reed valve	B- 5	*	B- 8	SPRING, throttle valve	B- 6
PLATE, thrust 2	B-10	*	B-13	SPRING, torsion	B- 9
PLUG	C-12	*	C- 4	STAND, main	C-13
PLUG CAP ASSY	D- 5	*	C- 5	STAY 1	B- 5
PLUG, drain	B- 6	*	C-12	STAY, fender 1	B-13
PLUG, oil	B- 8	*	C-14	STAY, flasher	C- 5
PLUG, spark (NGK BPR6HS)	B- 2	*	D- 4	STAY, leg shield	C- 5
PLUNGER, starter	B- 6	*	D- 5	STAY, leg shield (L.H)	C- 5
PROTECTOR	B- 8	*	D- 7	STAY, leg shield (R.H)	C- 5
PROTECTOR, muffler 1	B- 7	SCREW, panhead tapping	D- 5	STEERING LOCK ASSY	C- 5
RACE, ball 1	C- 5	SCREW, rim adjusting	D- 2	STOPPER	B-11
RACE, ball 2	C- 5	SCREW, tapping	B- 4	STOPPER, main stand	C- 8
RACE, ball 3	C- 5	*	B- 5	*	C-13
RACE, ball 4	C- 5	*	C-13	STOPPER, reed valve	B- 5
REAR ARM COMP.	C- 3	*	D- 3	TAILLIGHT UNIT ASSY	D- 3

PARTS NAME INDEX

DESCRIPTION	GRID NO.	DESCRIPTION	GRID NO.	DESCRIPTION	GRID NO.
TANK, oil	C- 2				
THROTTLE SCREW SET	B- 6				
TIRE (2.50-17)	C- 9				
TIRE (2.75-16)	C-11				
TOOL KIT	B-12				
TUBE (2.50-17)	C- 9				
TUBE (3.00-16)	C-11				
TUBE, throttle guide	C-12				
UNDER BRACKET COMP.	C- 7				
VALVE, throttle 1	B- 6				
VOLTAGE REGULATOR ASSY	D- 5				
WASHER	C-12				
WASHER, claw	D- 6				
WASHER, conical spring	B-10				
WASHER, plain	C- 4				
*	C-13				
WASHER, plate	B- 3				
*	B- 7				
*	B- 8				
*	B-10				
*	B-12				
*	B-13				
*	C- 3				
*	C- 4				
*	C- 5				
*	C- 6				
*	C- 9				
*	C-11				
*	C-12				
*	C-13				
*	D- 4				
*	D- 7				
WASHER, special	D- 2				
WASHER, spring	B- 3				
*	B- 5				
*	B- 6				
*	B- 7				
*	B- 8				
*	B-12				
*	C- 3				
*	C- 5				
*	C-14				
WASHER, wave	D- 4				
*	D- 7				
WIRE HARNESS ASSY	D- 5				